



US00D638102S

(12) **United States Design Patent**  
**Obara et al.**

(10) **Patent No.:** **US D638,102 S**

(45) **Date of Patent:** **\*\* May 17, 2011**

(54) **FAUCET**

(75) Inventors: **Mitsuya Obara**, Kitakyushu (JP); **Rina Ogata**, Kitakyushu (JP); **Rie Tsuji**, Kitakyushu (JP)

(73) Assignee: **Toto Ltd.**, Kitakyushu-Shi, Fukuoka (JP)

(\*\*) Term: **14 Years**

(21) Appl. No.: **29/363,522**

(22) Filed: **Jun. 10, 2010**

(30) **Foreign Application Priority Data**

Dec. 11, 2009 (JP) ..... D2009-028862

(51) **LOC (9) Cl.** ..... **23-02**

(52) **U.S. Cl.** ..... **D23/238**

(58) **Field of Classification Search** ..... D23/238,  
D23/242-243, 250, 252-254, 255, 257; 4/675-678;  
137/801

See application file for complete search history.

(56) **References Cited**

**U.S. PATENT DOCUMENTS**

D243,608 S \* 3/1977 Mono et al. .... D23/238  
D364,214 S \* 11/1995 Lobermeier ..... D23/238

D368,303 S \* 3/1996 Lobermeier ..... D23/243  
D446,287 S \* 8/2001 Fleischmann ..... D23/250  
D550,812 S \* 9/2007 Haug et al. .... D23/238  
D585,524 S \* 1/2009 Schoenherr et al. .... D23/238

\* cited by examiner

*Primary Examiner* — Robert A Delehanty

(74) *Attorney, Agent, or Firm* — Birch, Stewart, Kolasch & Birch, LLP

(57) **CLAIM**

The ornamental design for a faucet, as shown and described.

**DESCRIPTION**

FIG. 1 is a perspective view of front, top plan and right side of a faucet according to an embodiment showing our new design;

FIG. 2 is a front view thereof;

FIG. 3 is a rear view thereof;

FIG. 4 is a top plan view thereof;

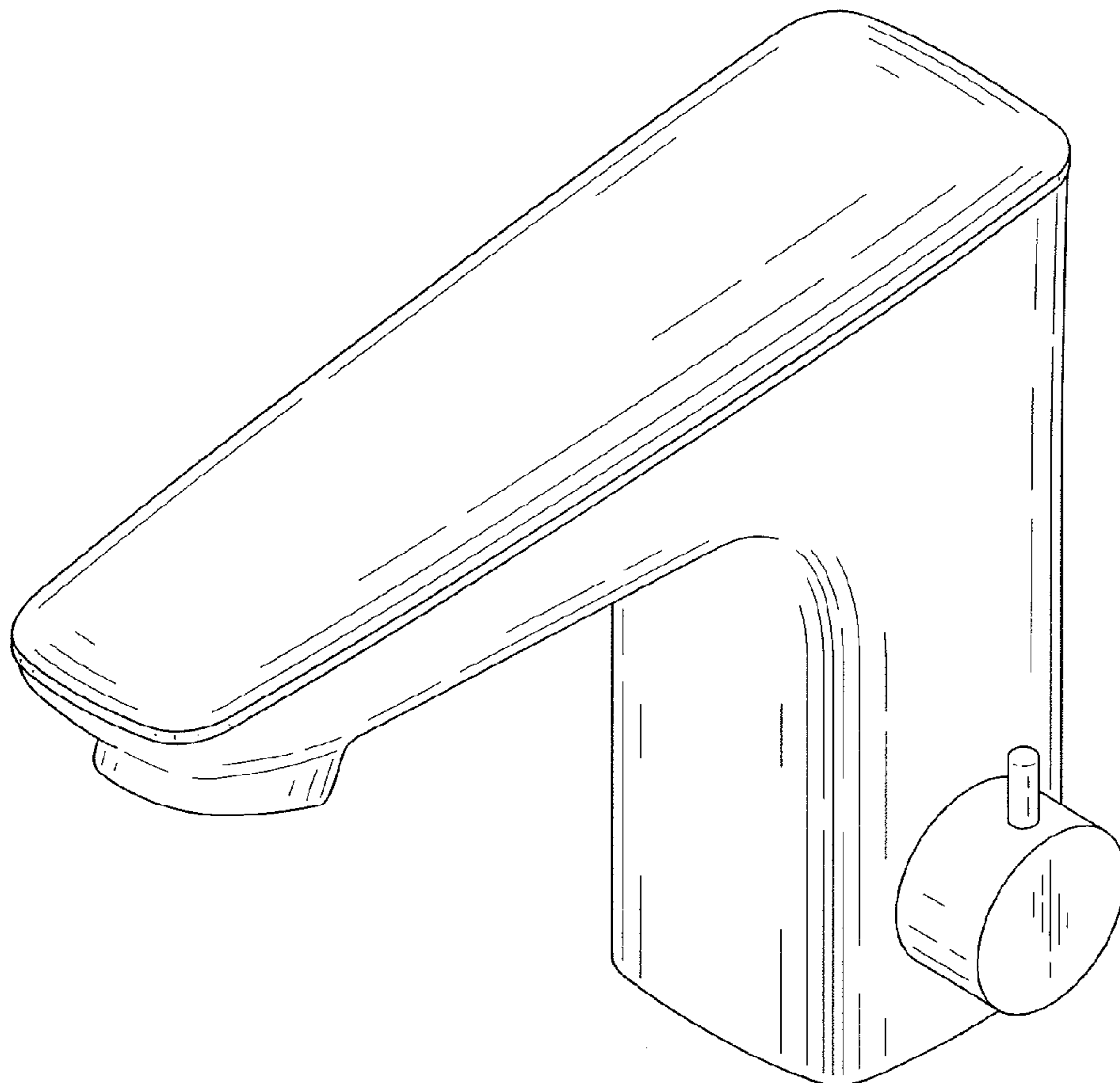
FIG. 5 is a bottom view thereof;

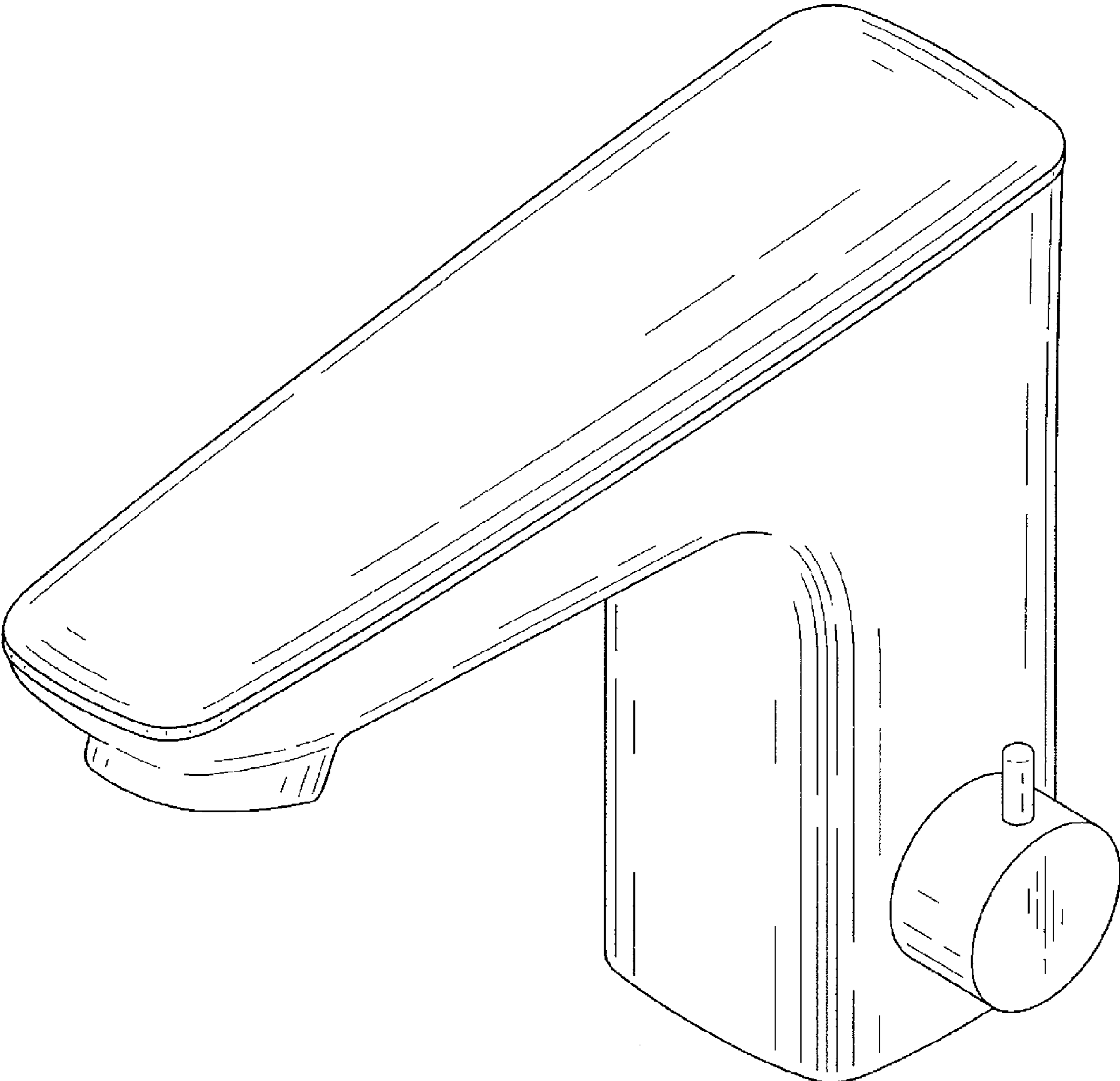
FIG. 6 is a left side view thereof; and,

FIG. 7 is a right side view thereof.

The portions of the article in broken lines are shown for illustrative purposes only and form no part of the claimed design.

**1 Claim, 5 Drawing Sheets**





**FIG. 1**

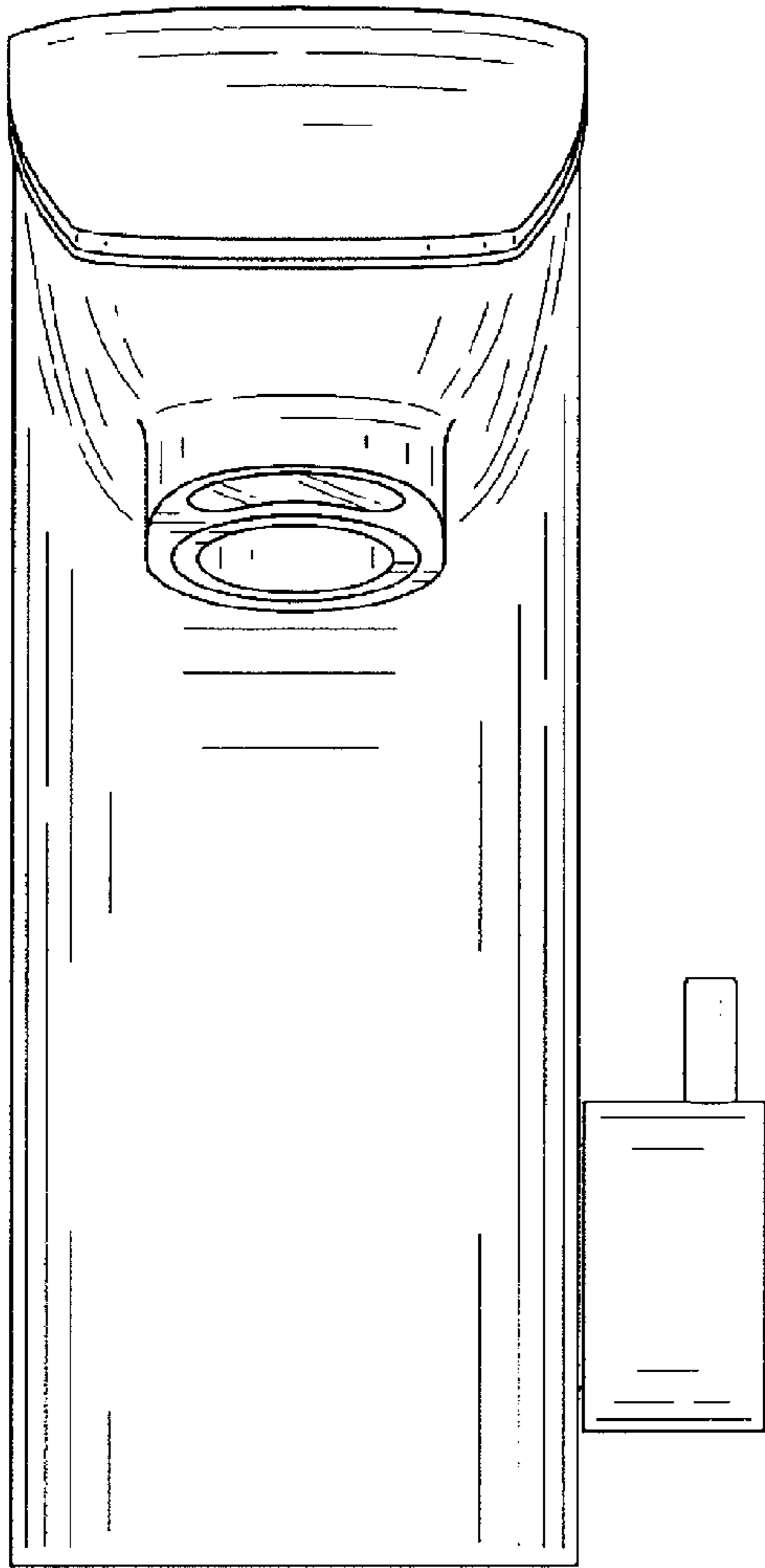


FIG. 2

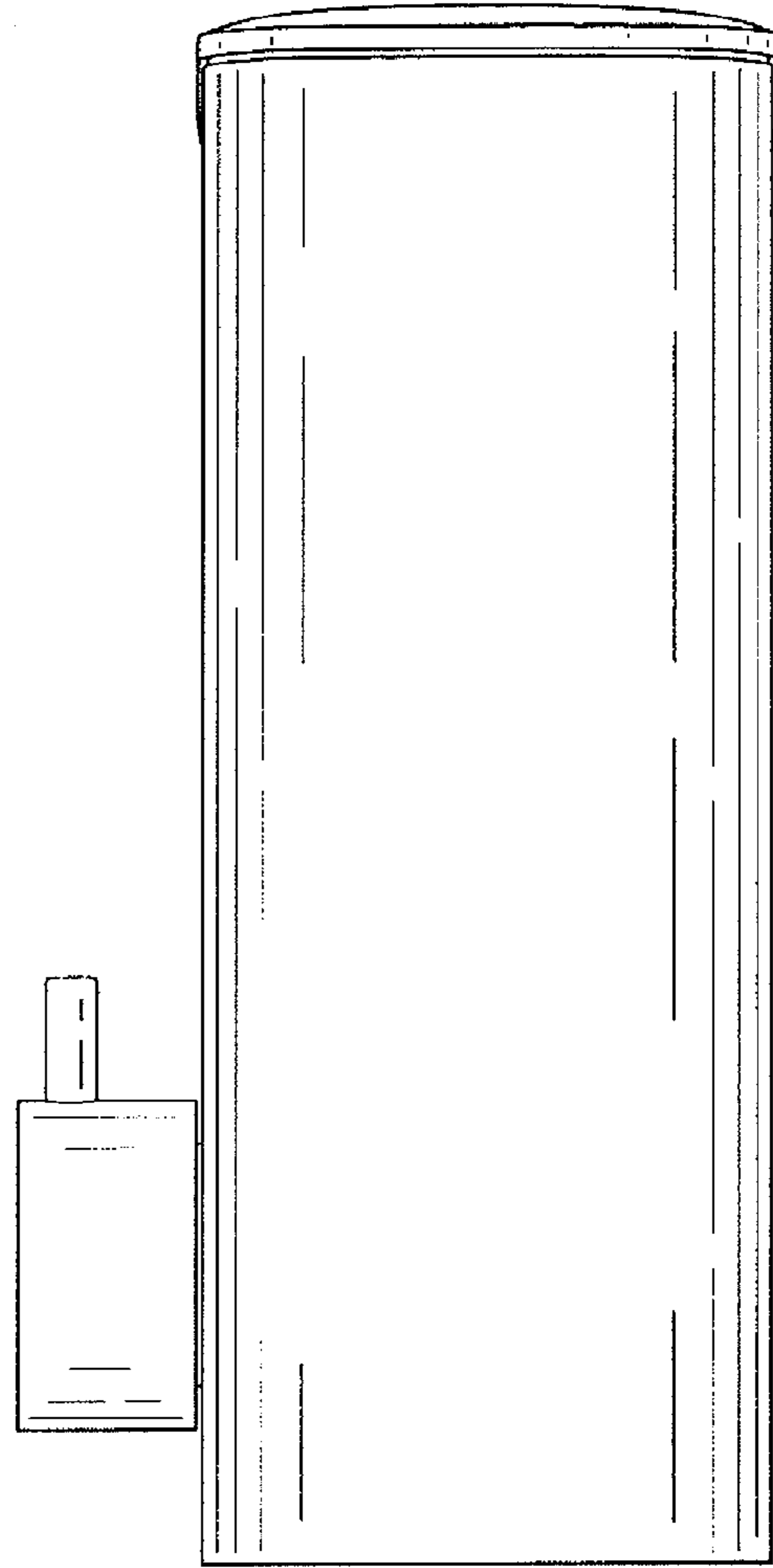
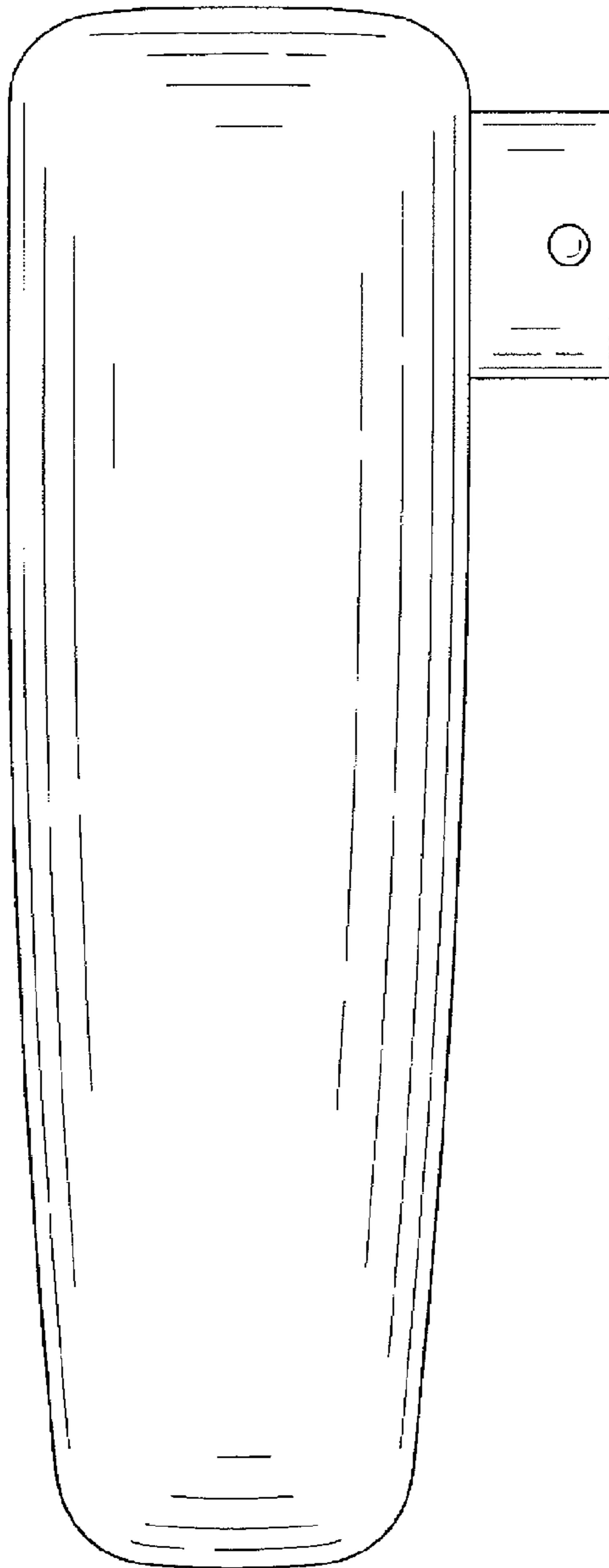
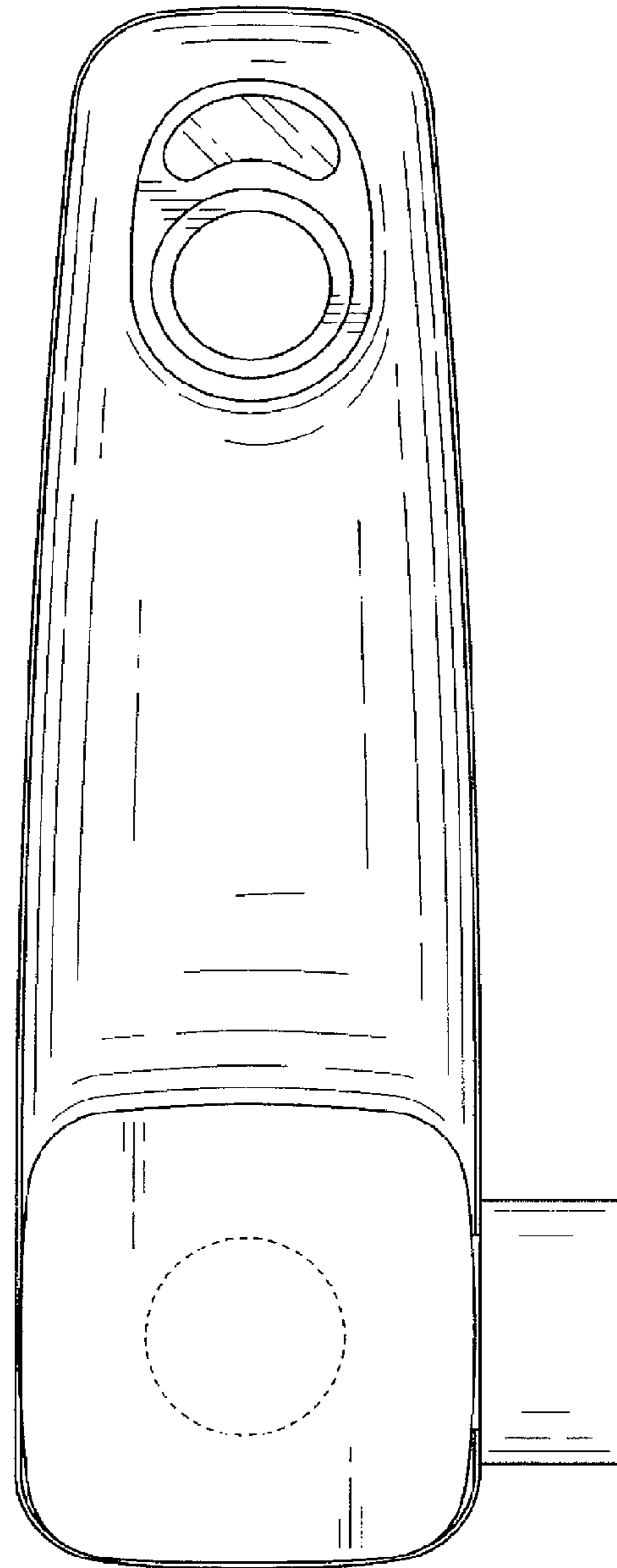


FIG. 3



**FIG. 4**



**FIG. 5**

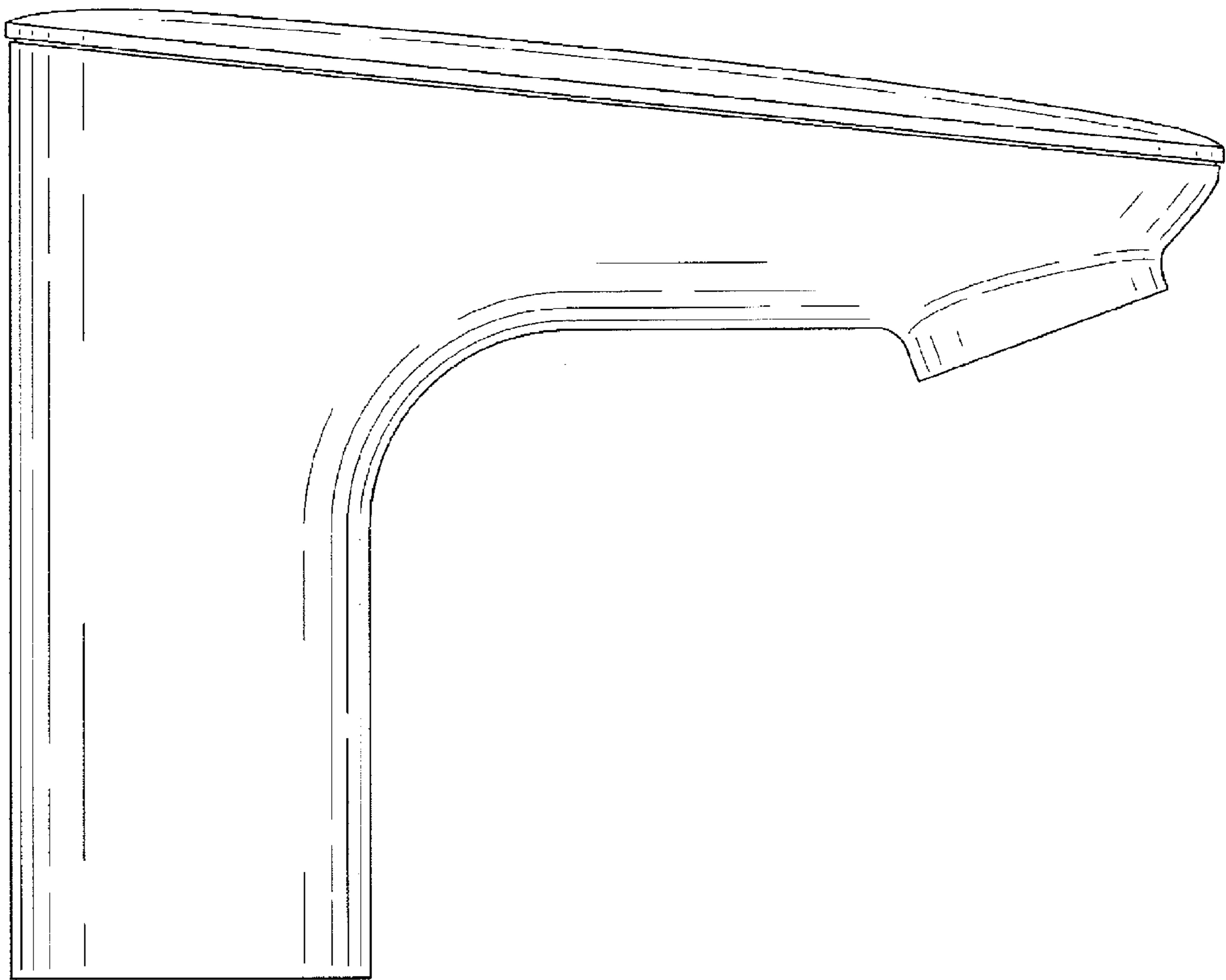


FIG. 6

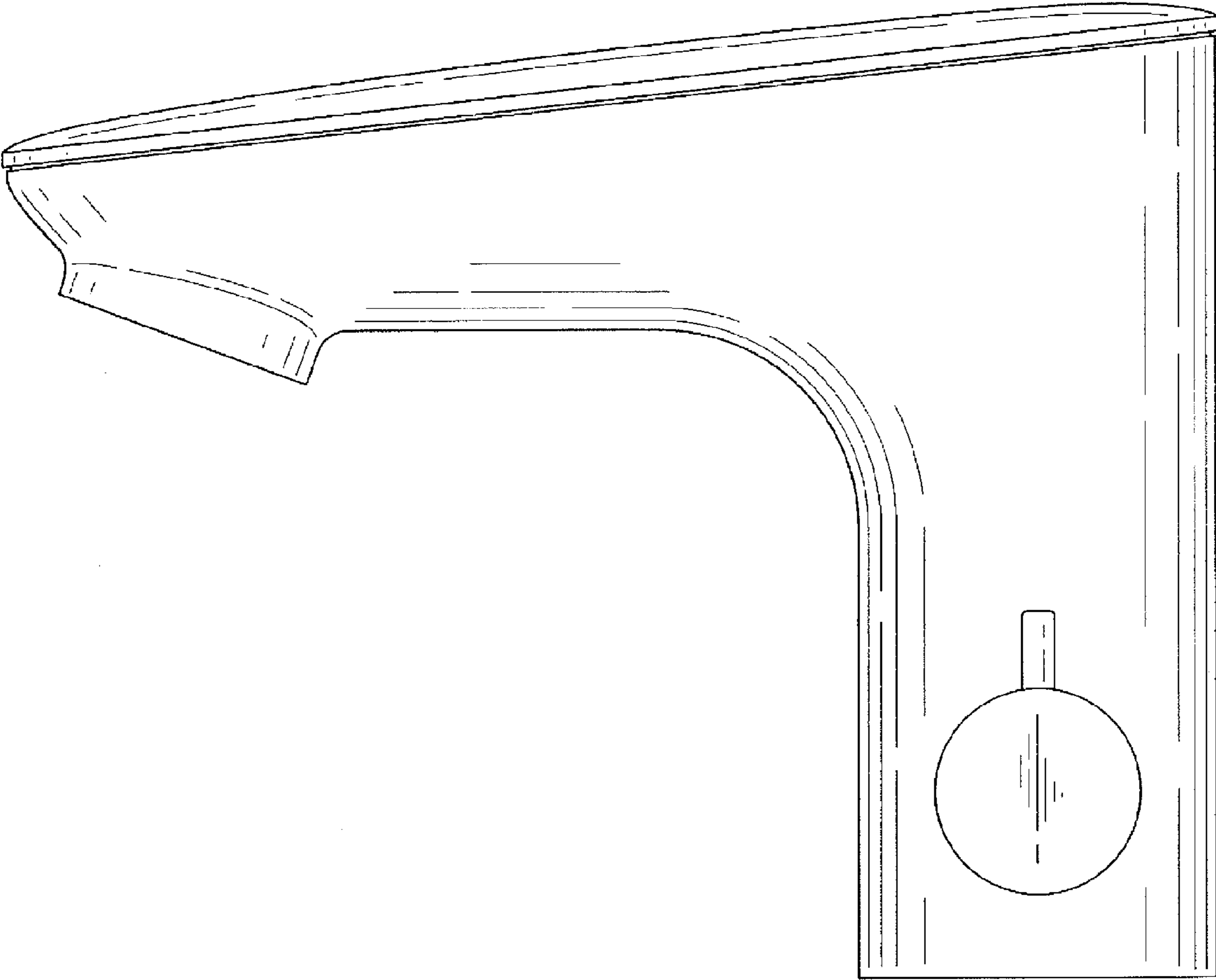


FIG. 7