



US00D638100S

(12) **United States Design Patent**
Juan

(10) **Patent No.:** **US D638,100 S**

(45) **Date of Patent:** **** *May 17, 2011**

(54) **SHOWER HEAD**

(75) Inventor: **Lin Wen Juan**, Far Hills, NJ (US)

(73) Assignee: **Niagara Conservation Corp.**, Cedar Knolls, NJ (US)

(**) Term: **14 Years**

(21) Appl. No.: **29/358,410**

(22) Filed: **Mar. 26, 2010**

(30) **Foreign Application Priority Data**

Sep. 28, 2009 (CN) 2009 3 0173502

(51) **LOC (9) Cl.** **23-01**

(52) **U.S. Cl.** **D23/213; D23/229**

(58) **Field of Classification Search** D23/213,
D23/223, 229, 230; 239/462, 394, 282-283;
4/615

See application file for complete search history.

(56) **References Cited**

U.S. PATENT DOCUMENTS

D430,267 S * 8/2000 Milrud et al. D23/229

D500,121 S * 12/2004 Blomstrom D23/213

D500,839 S * 1/2005 Blomstrom D23/229
D527,440 S * 8/2006 Macan D23/213
D555,769 S * 11/2007 Lee D23/229

* cited by examiner

Primary Examiner — Robin V Webster

(74) *Attorney, Agent, or Firm* — Lerner, David, Littenberg,
Krumholz & Mentlik, LLP

(57) **CLAIM**

I claim the ornamental design for a shower head, as shown and described.

DESCRIPTION

FIG. 1 is a front perspective view of the shower head in accordance with the present invention;

FIG. 2 is a front elevational view of the shower head in accordance with the present invention;

FIG. 3 is a rear elevational view of the shower head in accordance with the present invention;

FIG. 4 is a left side elevational view of the shower head in accordance with the present invention, the right side elevational view being the mirror image thereof; and,

FIG. 5 is front side elevational view of the shower head in accordance with the present invention, the rear side elevational view being a mirror image thereof.

1 Claim, 5 Drawing Sheets

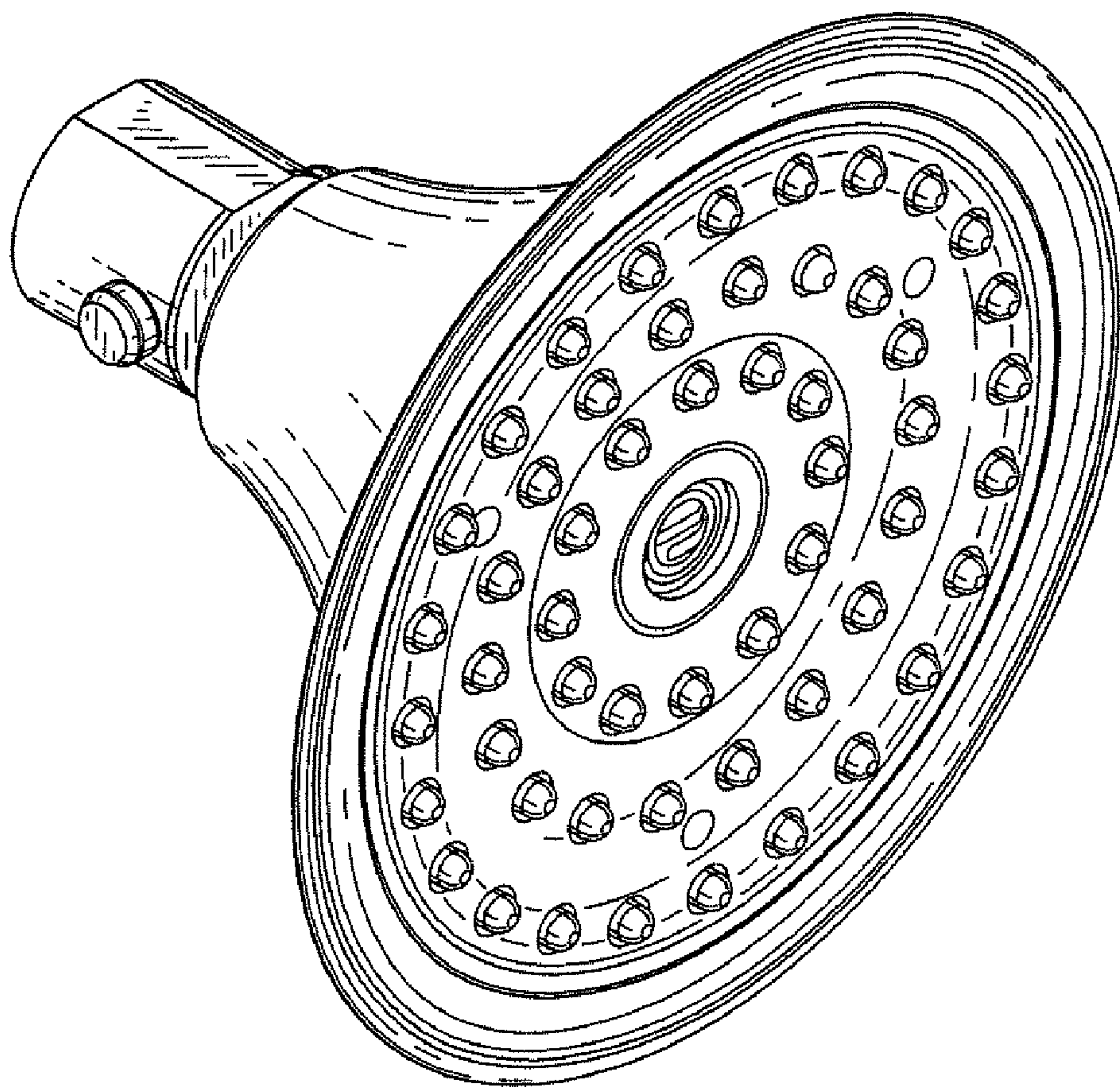


FIG. 1

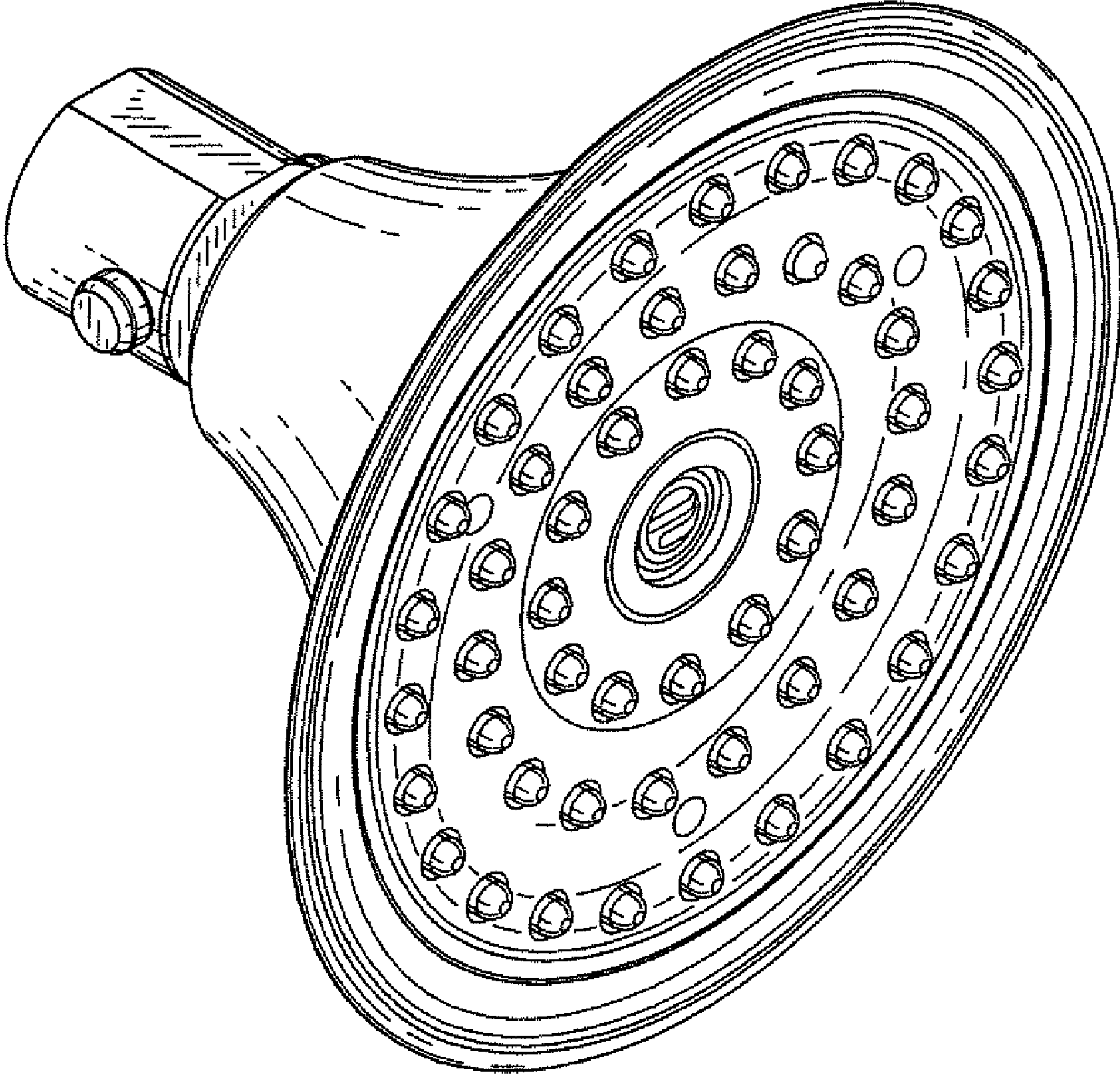


FIG. 2

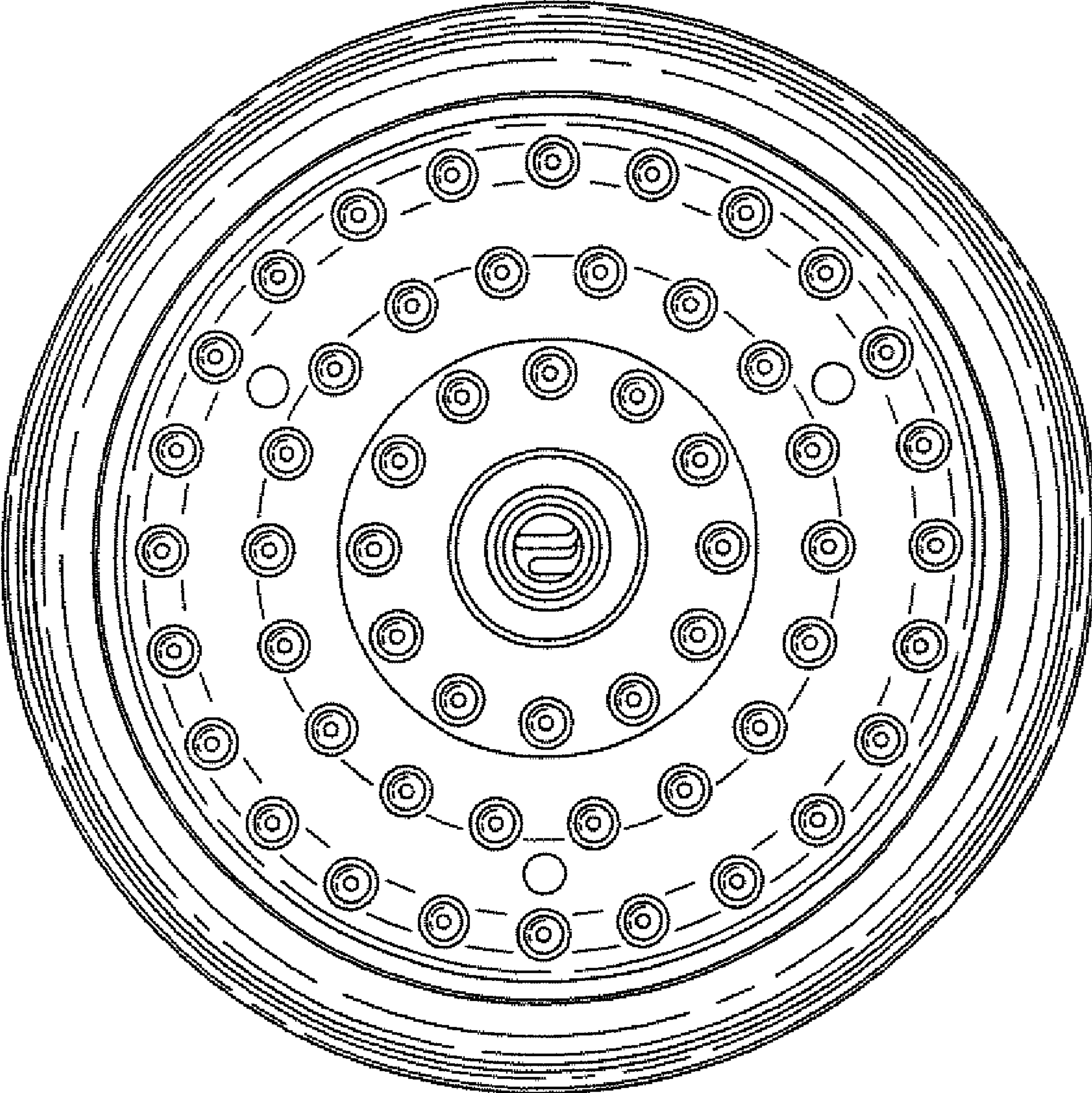


FIG. 3

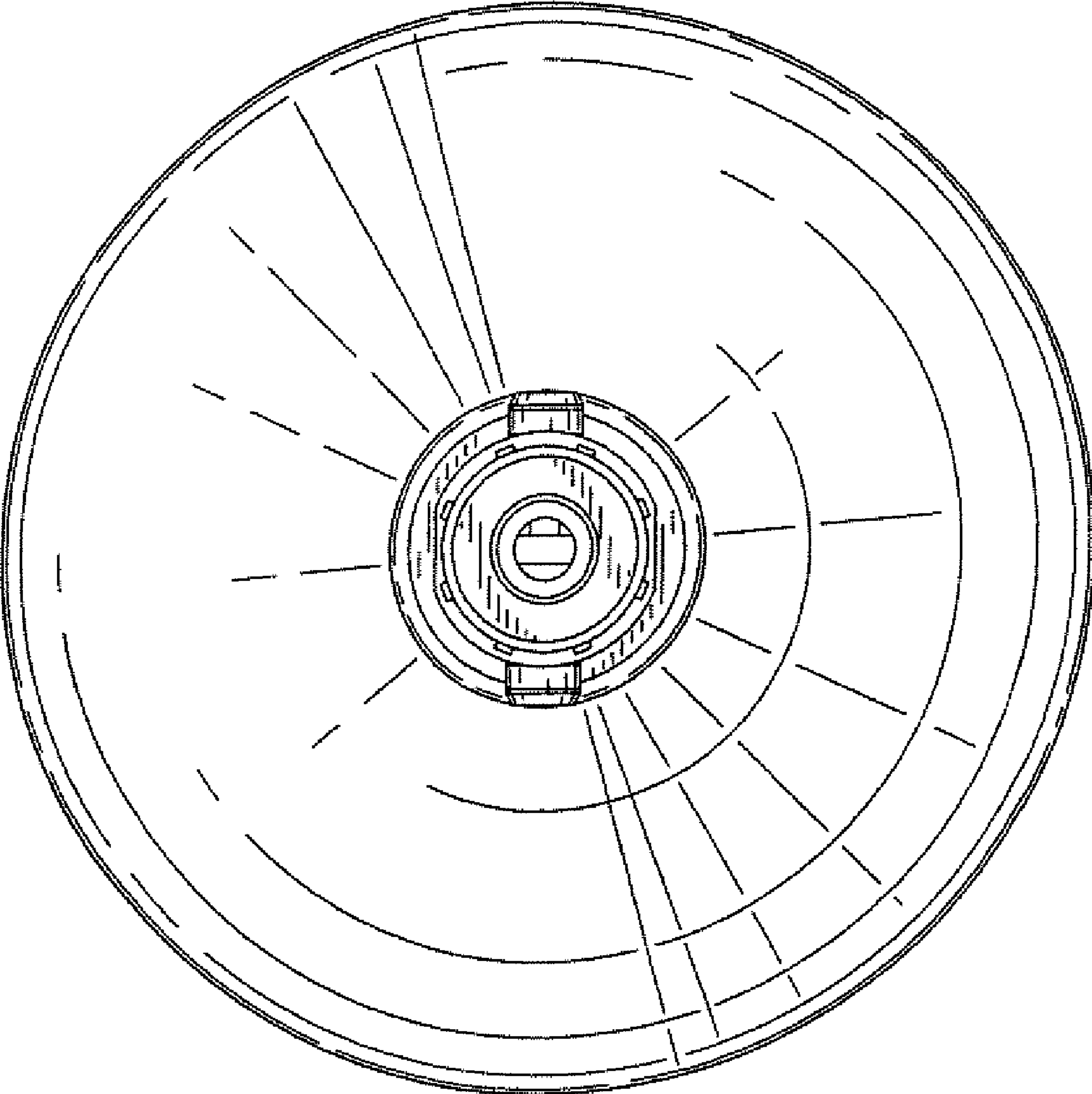


FIG. 4

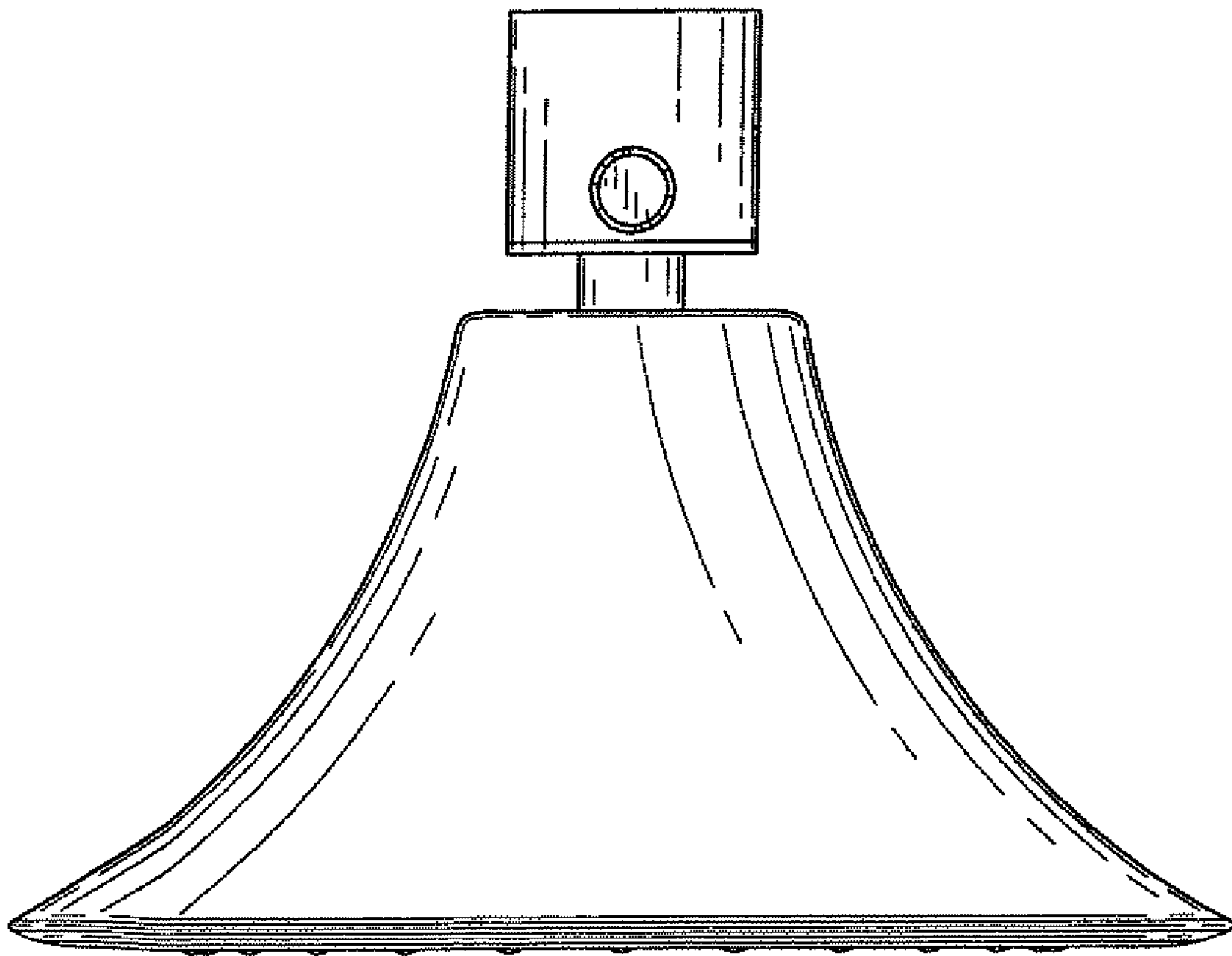


FIG. 5

