



US00D638099S

(12) **United States Design Patent**
Farley

(10) **Patent No.:** **US D638,099 S**

(45) **Date of Patent:** **** May 17, 2011**

(54) **FILTER FOR SHOWERHEAD**

(76) Inventor: **David Aaron Farley**, Corona, CA (US)

(**) Term: **14 Years**

(21) Appl. No.: **29/367,426**

(22) Filed: **Aug. 6, 2010**

(51) **LOC (9) Cl.** **23-01**

(52) **U.S. Cl.** **D23/209**

(58) **Field of Classification Search** D23/213,
D23/209, 207, 228; 239/553; 210/460, 282,
210/449

See application file for complete search history.

(56) **References Cited**

U.S. PATENT DOCUMENTS

582,496	A *	5/1897	Avery	210/284
D233,234	S *	10/1974	Arbon	D23/228
D233,341	S *	10/1974	Arbon	D23/228
D255,045	S *	5/1980	Kronsbein	D23/209
D313,266	S *	12/1990	Geneve et al.	D23/209
D316,136	S *	4/1991	Underwood	D23/228
5,152,464	A *	10/1992	Farley	239/553.3
D361,622	S	8/1995	Farley	
D364,446	S	11/1995	Farley	
5,478,467	A *	12/1995	LeMire et al.	210/206
5,503,742	A	4/1996	Farley	
5,545,314	A *	8/1996	Parise et al.	210/100
5,795,471	A *	8/1998	Naito	210/223
D406,874	S	3/1999	Farley	
D409,718	S	5/1999	Farley	
6,016,977	A	1/2000	Farley	
6,187,187	B1	2/2001	Farley	

6,214,224	B1	4/2001	Farley	
D444,536	S	7/2001	Farley	
6,270,023	B1	8/2001	Farley	
6,325,930	B2	12/2001	Farley	
D457,596	S	5/2002	Guzman et al.	
D462,108	S	8/2002	Farley	
D463,844	S	10/2002	Farley	
6,464,871	B1 *	10/2002	Chang	210/282
6,537,455	B2 *	3/2003	Farley	210/251
D483,438	S	12/2003	Farley	
RE39,142	E	6/2006	Farley	
7,097,122	B1	8/2006	Farley	
7,143,897	B1	12/2006	Guzman et al.	
7,427,352	B2 *	9/2008	Naito	210/223
D599,432	S *	9/2009	Buesseler et al.	D23/209
2008/0011656	A1 *	1/2008	Lacy et al.	210/95

* cited by examiner

Primary Examiner — Robin Webster

(74) *Attorney, Agent, or Firm* — Stetina Brunda Garred & Brucker

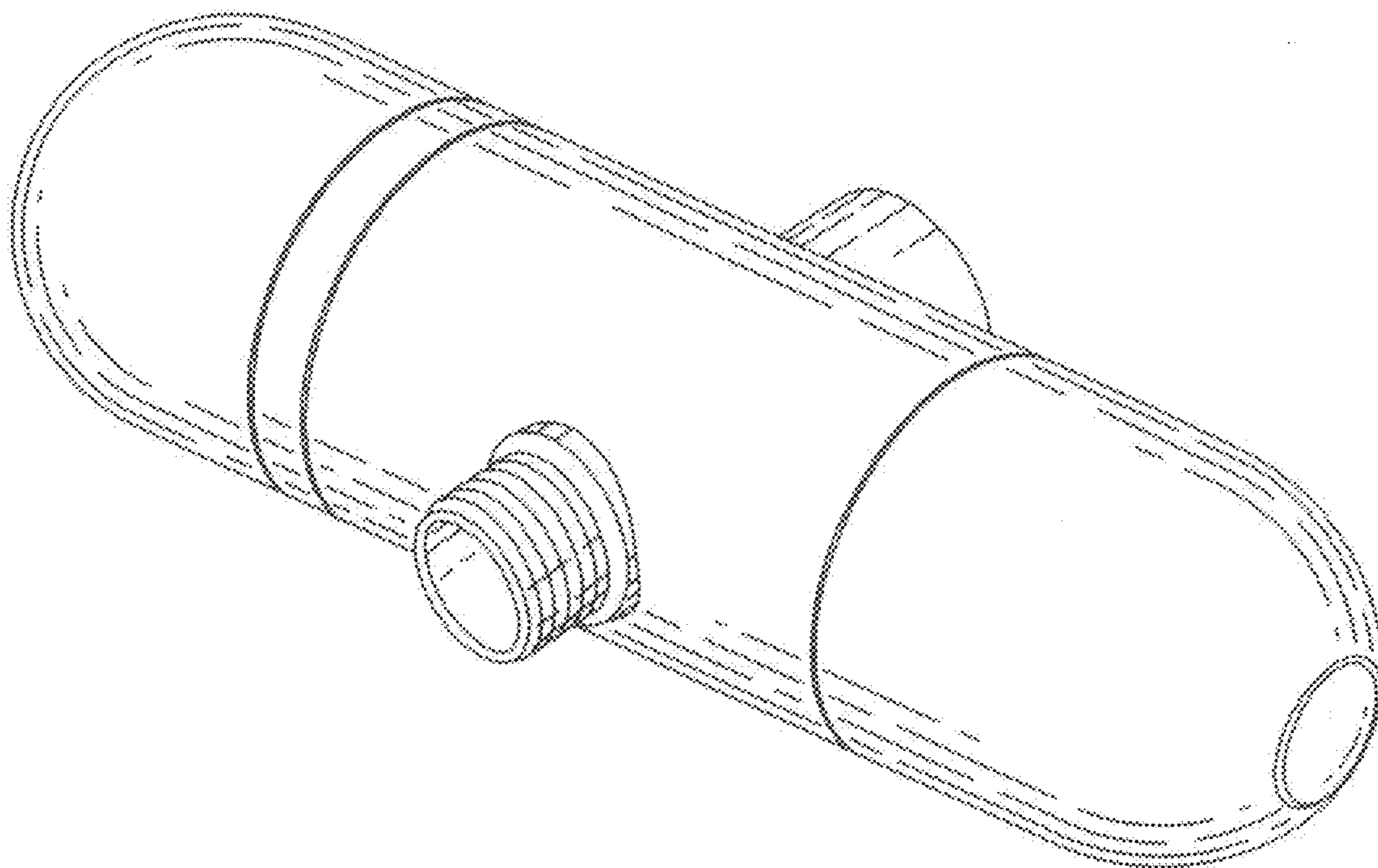
(57) **CLAIM**

The ornamental design for a filter for showerhead, as shown and described.

DESCRIPTION

FIG. 1 is a front perspective view of the invention;
FIG. 2 is a top view of the invention;
FIG. 3 is a front view of the invention;
FIG. 4 is a left side view of the invention;
FIG. 5 is a right side view of the invention
FIG. 6 is a rear view of the invention; and,
FIG. 7 is a bottom view of the invention.

1 Claim, 2 Drawing Sheets



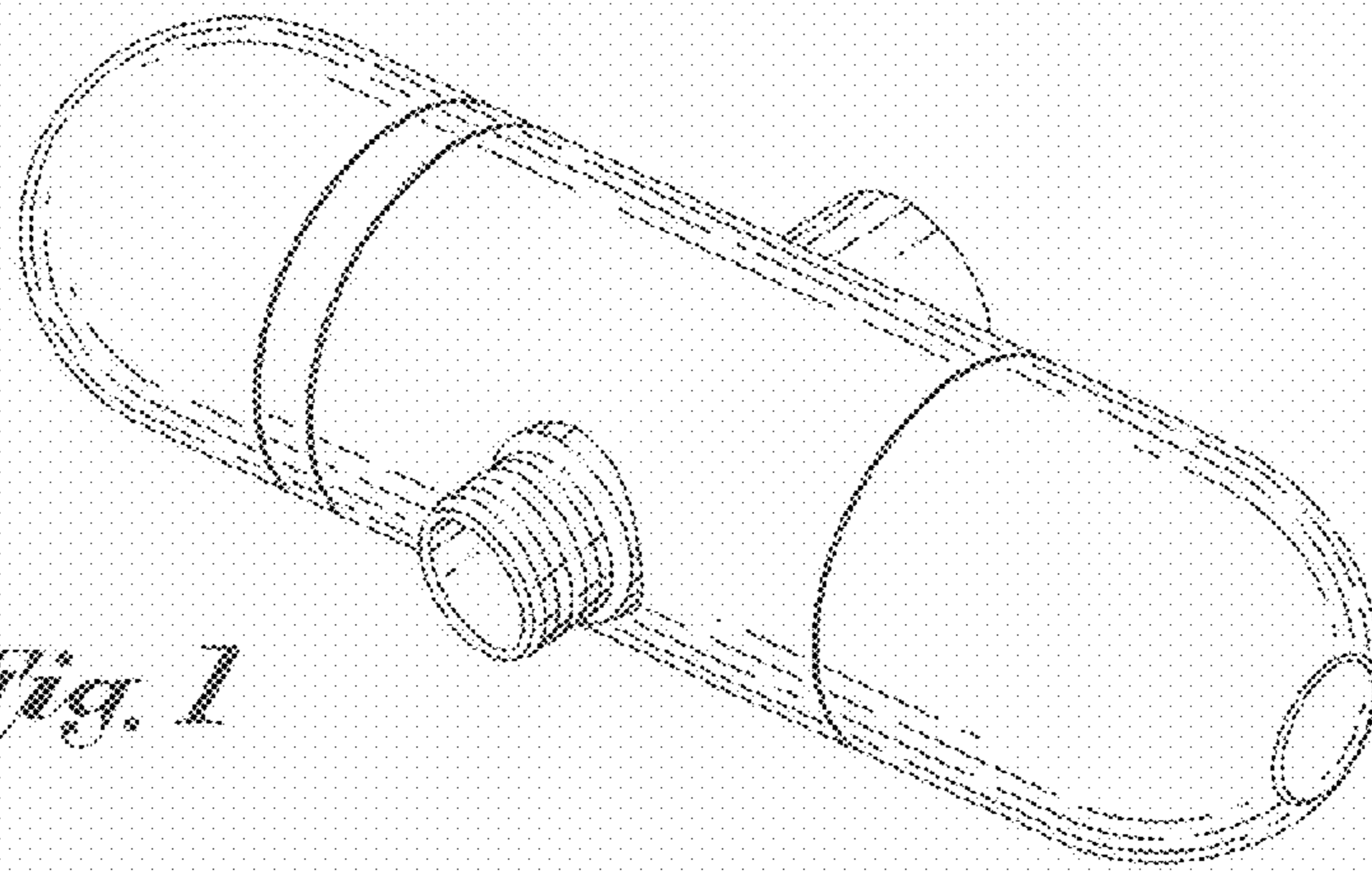


Fig. 1

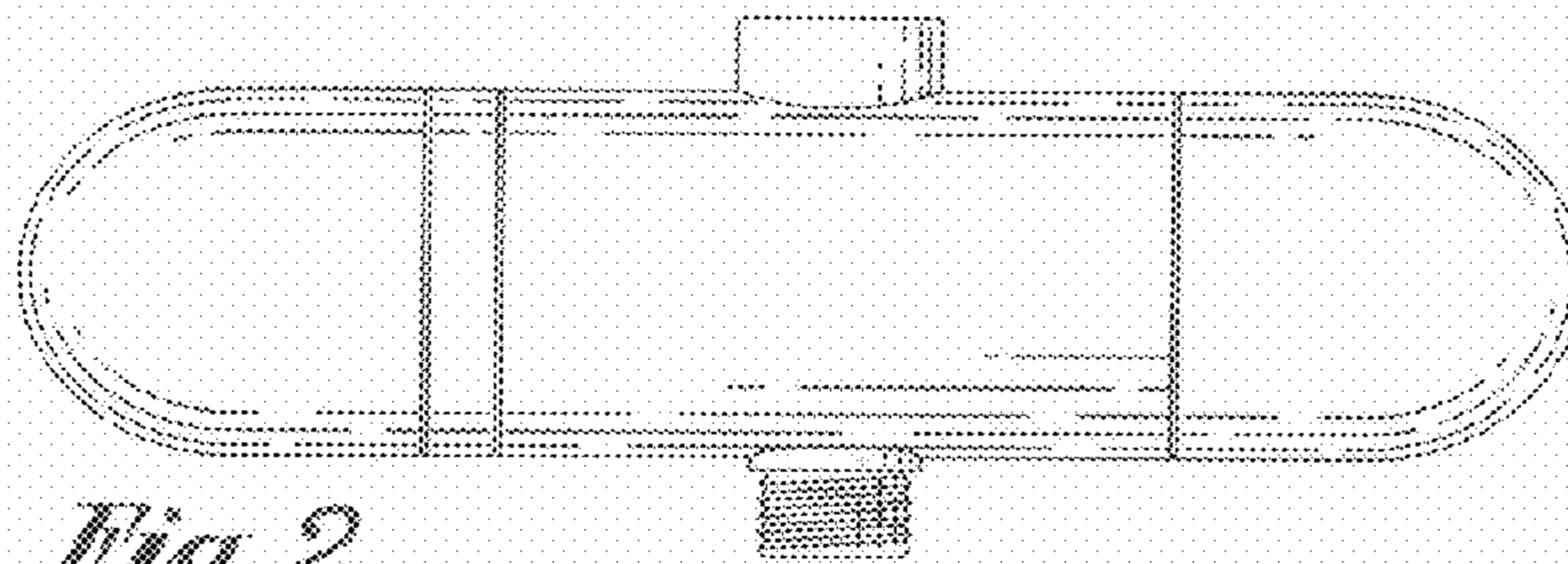


Fig. 2

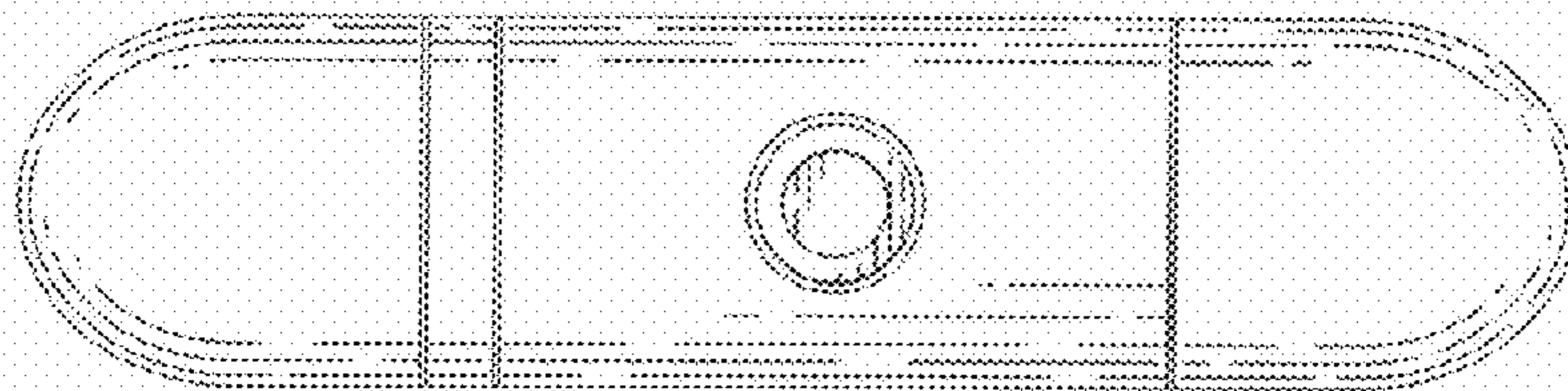


Fig. 3

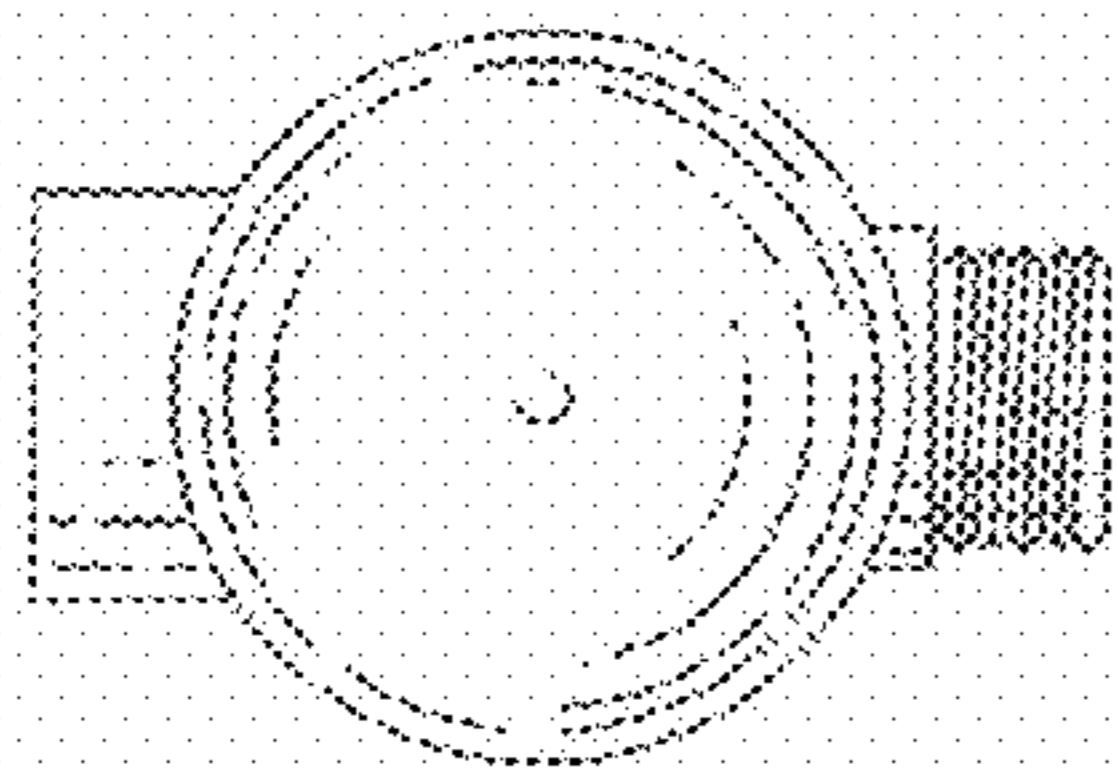


Fig. 4

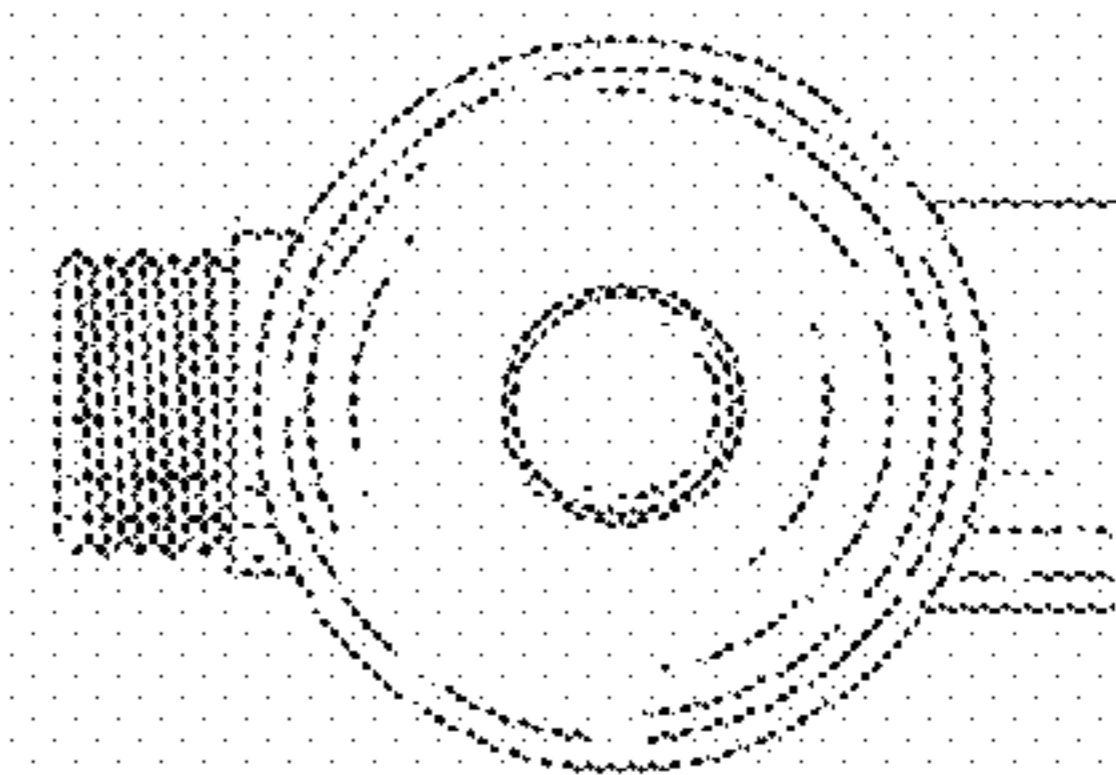


Fig. 5

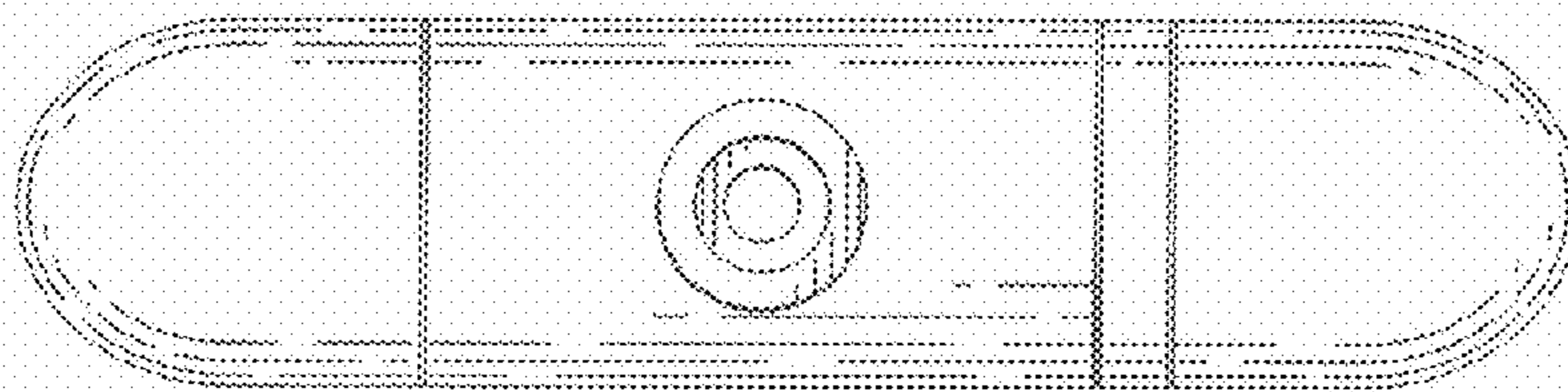


Fig. 6

