

US00D638097S

(12) **United States Design Patent**
Busick

(10) **Patent No.:** **US D638,097 S**

(45) **Date of Patent:** **** May 17, 2011**

(54) **TOP FOR A WATER FILTER CARTRIDGE**

(75) Inventor: **Louis M. Busick**, Westerville, OH (US)

(73) Assignee: **LVD Acquisition, LLC**, Columbus, OH (US)

(**) Term: **14 Years**

(21) Appl. No.: **29/360,891**

(22) Filed: **May 3, 2010**

(51) **LOC (9) Cl.** **23-01**

(52) **U.S. Cl.** **D23/209**

(58) **Field of Classification Search** D23/207,
D23/209, 355, 365; 210/232, 234, 238, 443-444,
210/470, 472, 323.1, 385, 493.2; D7/511,
D7/667, 392.1, 396.2, 900

See application file for complete search history.

(56) **References Cited**

U.S. PATENT DOCUMENTS

5,168,140	A	*	12/1992	Welker	219/689
D380,535	S	*	7/1997	Joergensen	D23/365
D420,864	S	*	2/2000	Kenney et al.	D7/667
D435,084	S	*	12/2000	Northen et al.	23/209
6,238,552	B1	*	5/2001	Shannon	210/94
D456,221	S	*	4/2002	Tse	D7/667
D527,222	S	*	8/2006	Liu	D7/510
D541,371	S	*	4/2007	McKay	D23/209
D562,430	S		2/2008	Slawomir		
D565,149	S	*	3/2008	Slawomir	D23/209

D565,694	S	*	4/2008	Slawomir	D23/209
D566,808	S	*	4/2008	Slawomir	D23/209
D599,880	S	*	9/2009	Rampen et al.	D23/209
D601,238	S	*	9/2009	Lundgren et al.	D23/365

* cited by examiner

Primary Examiner — Cathron C. Brooks

Assistant Examiner — Maurice Stevens

(74) *Attorney, Agent, or Firm* — Standley Law Group LLP

(57) **CLAIM**

The ornamental design of a top for a water filter cartridge, as shown and described.

DESCRIPTION

FIG. 1 is a perspective view of the top to a water filter cartridge of the present invention, said water filter cartridge being shown in broken lines to show the top's environment; FIG. 2 is a rotated perspective view of the top for a water filter cartridge;

FIG. 3 is a top plan view thereof;

FIG. 4 is a front elevational view thereof;

FIG. 5 is a left side elevational view thereof;

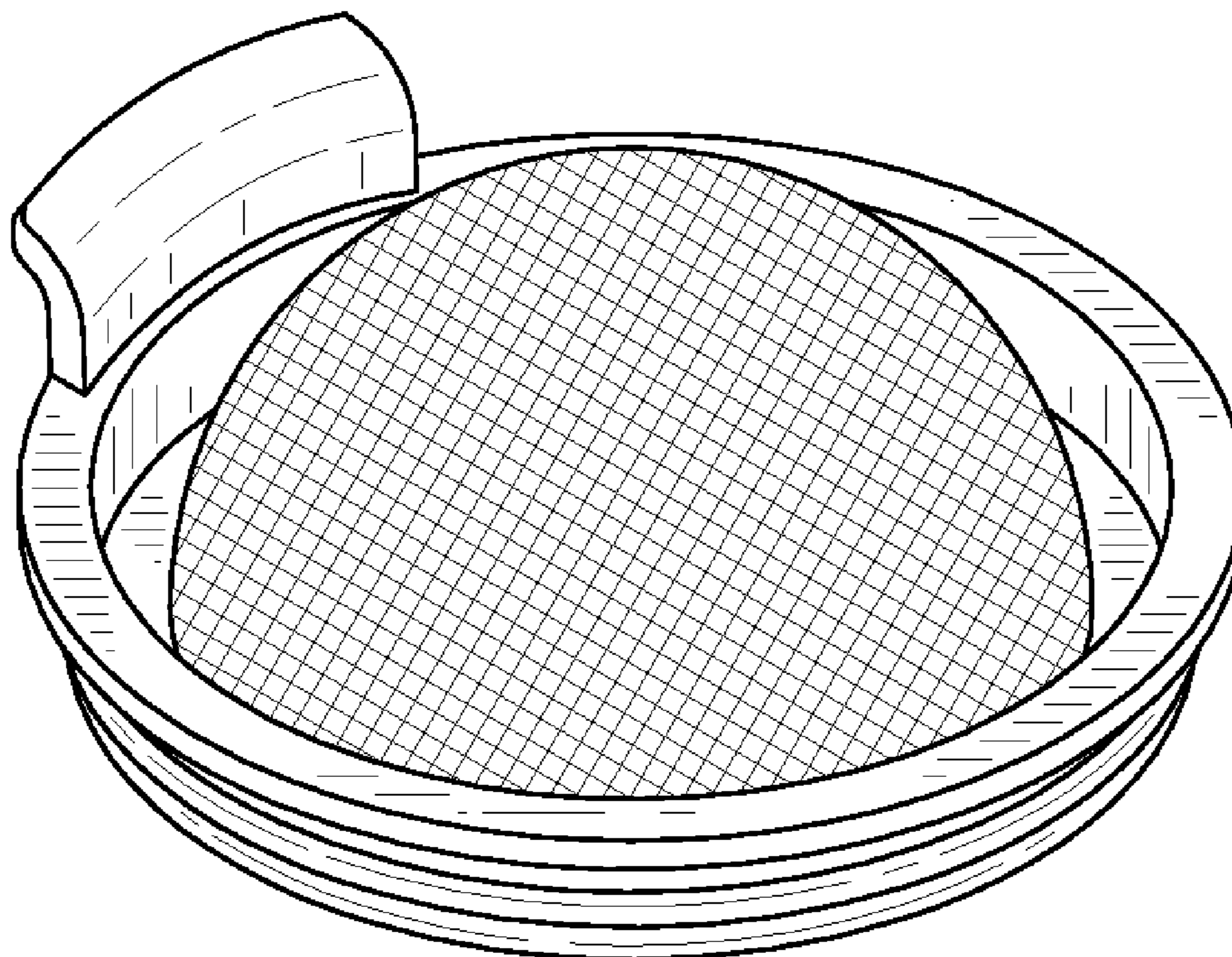
FIG. 6 is a rear elevational view thereof;

FIG. 7 is a right side elevational view; and,

FIG. 8 is a bottom plan view thereof.

The broken line showing of the filter cartridge is for the purpose of illustrating environmental structure and forms no part of the claimed design.

1 Claim, 3 Drawing Sheets



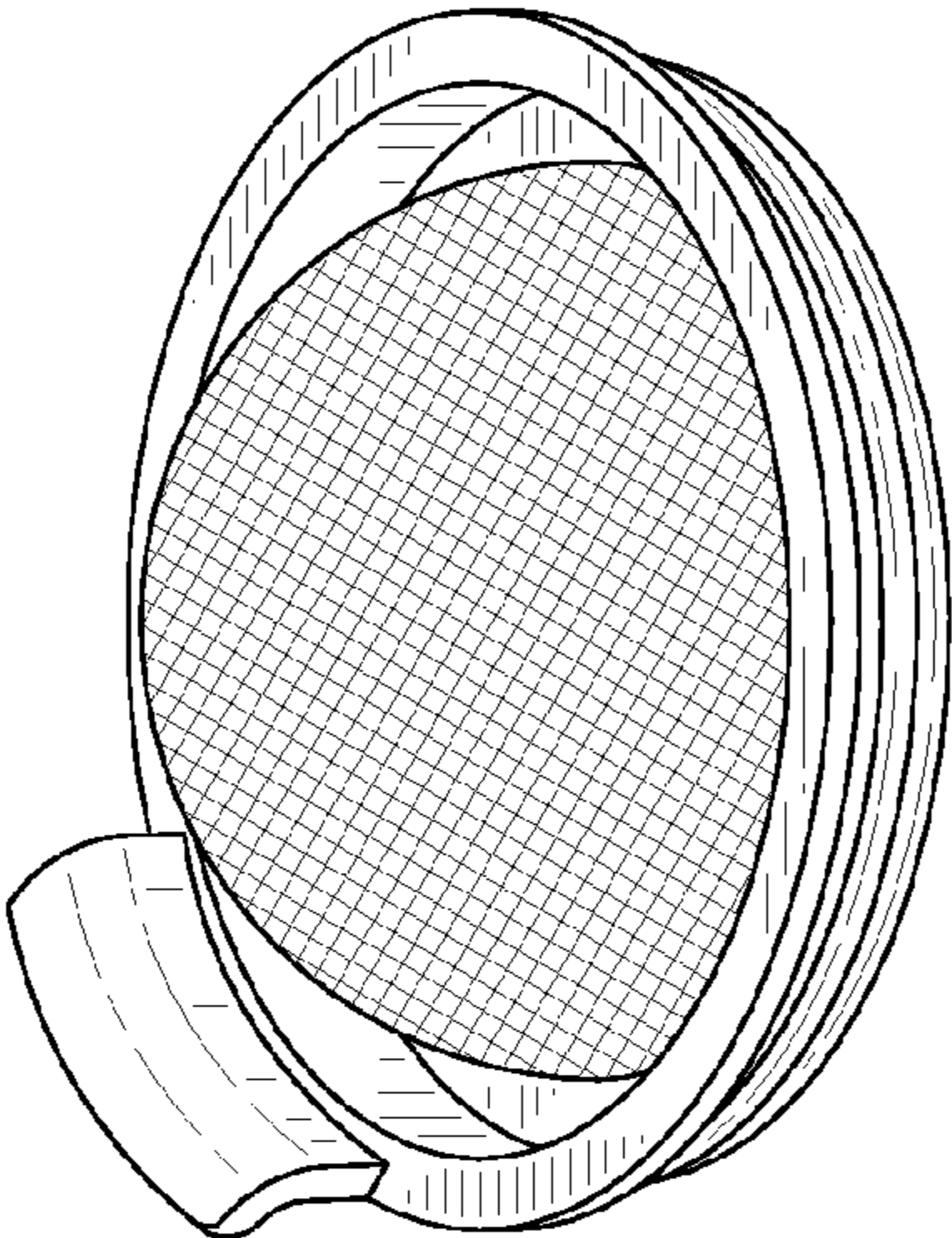


FIG-2

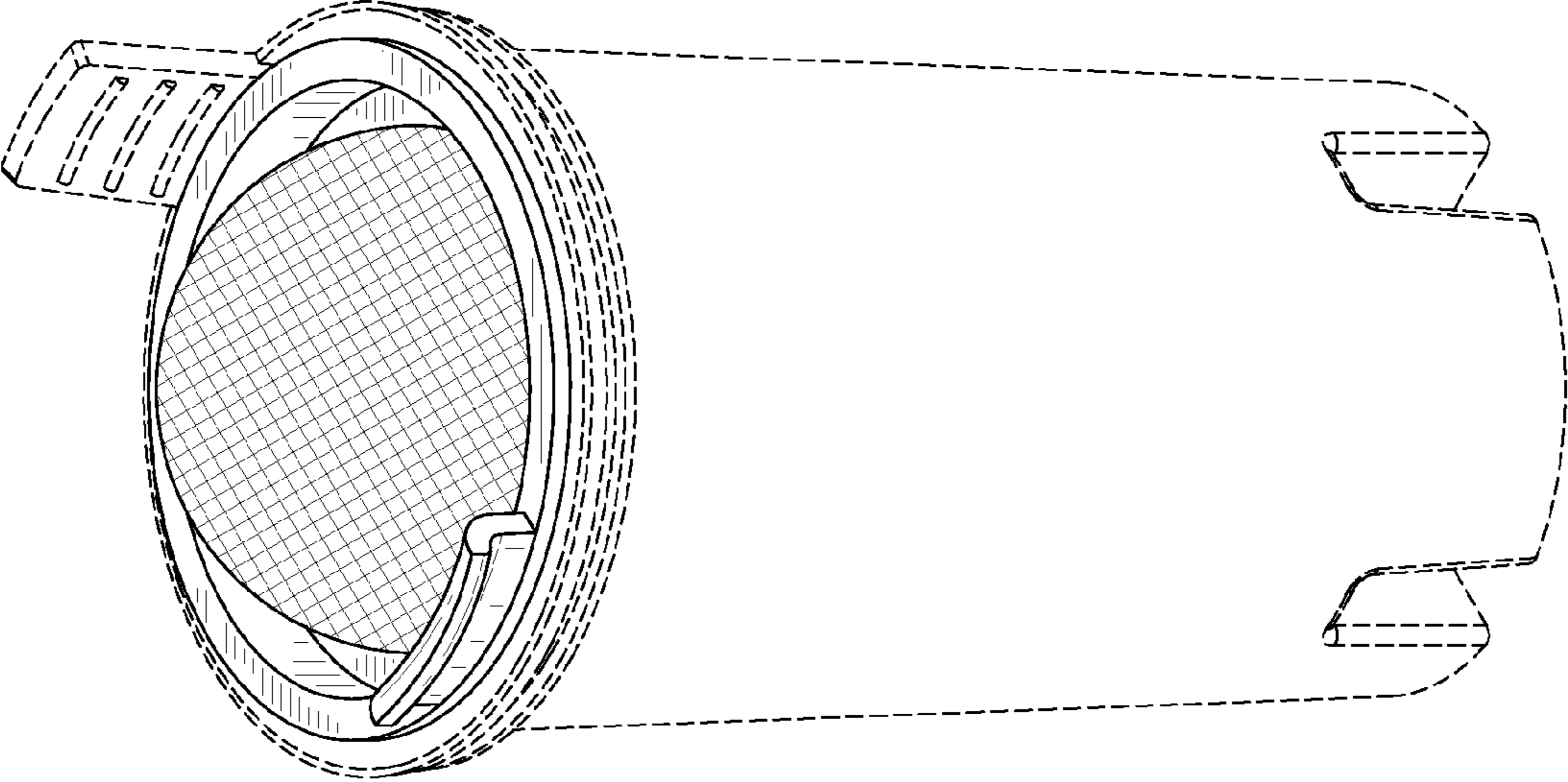


FIG-1

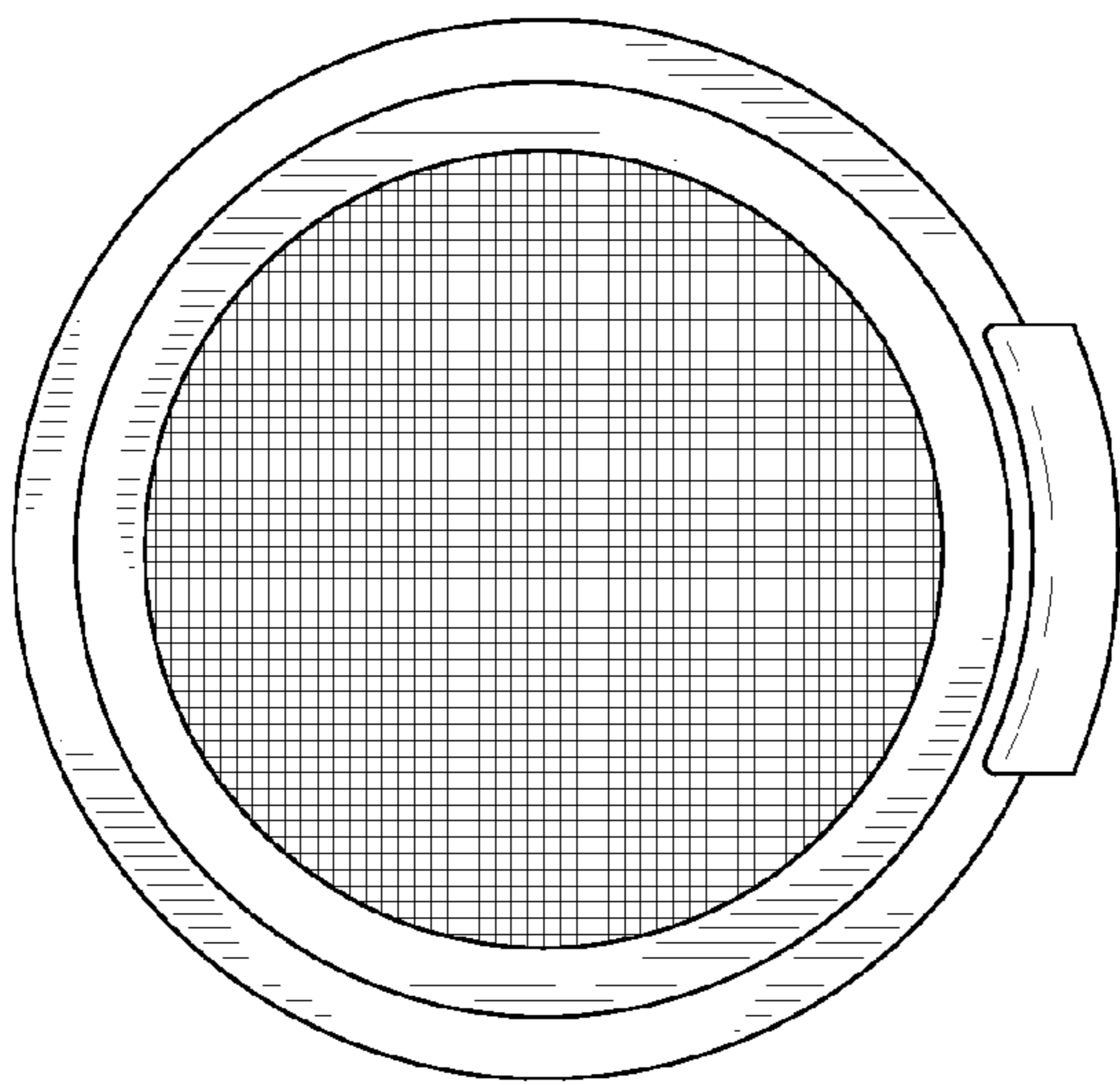


FIG-3

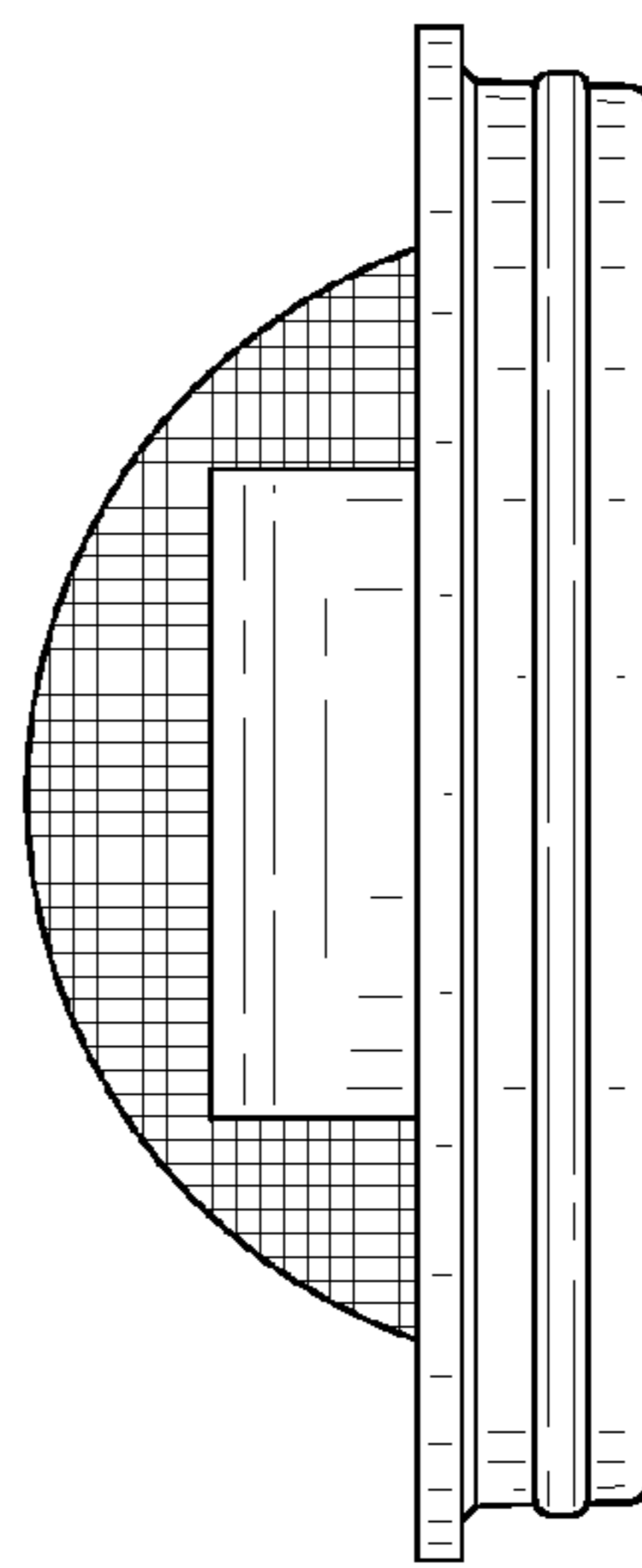


FIG-4

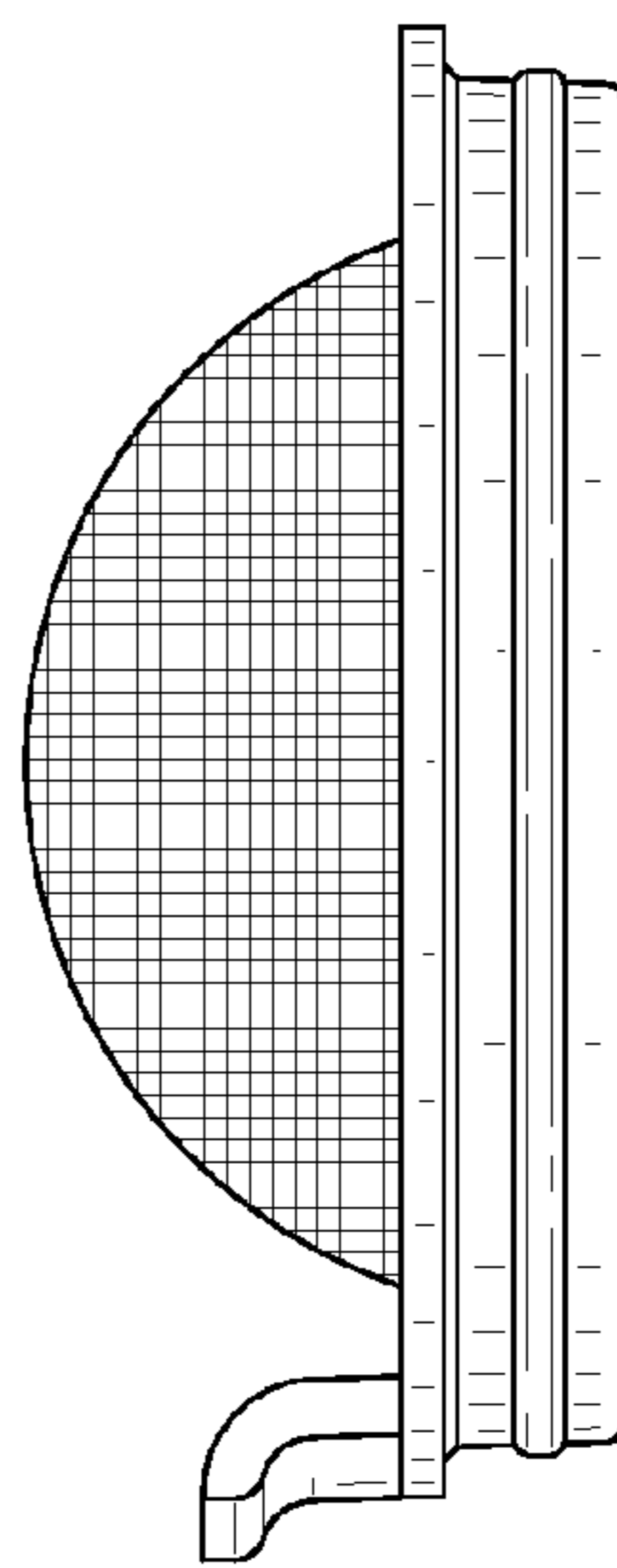


FIG-5

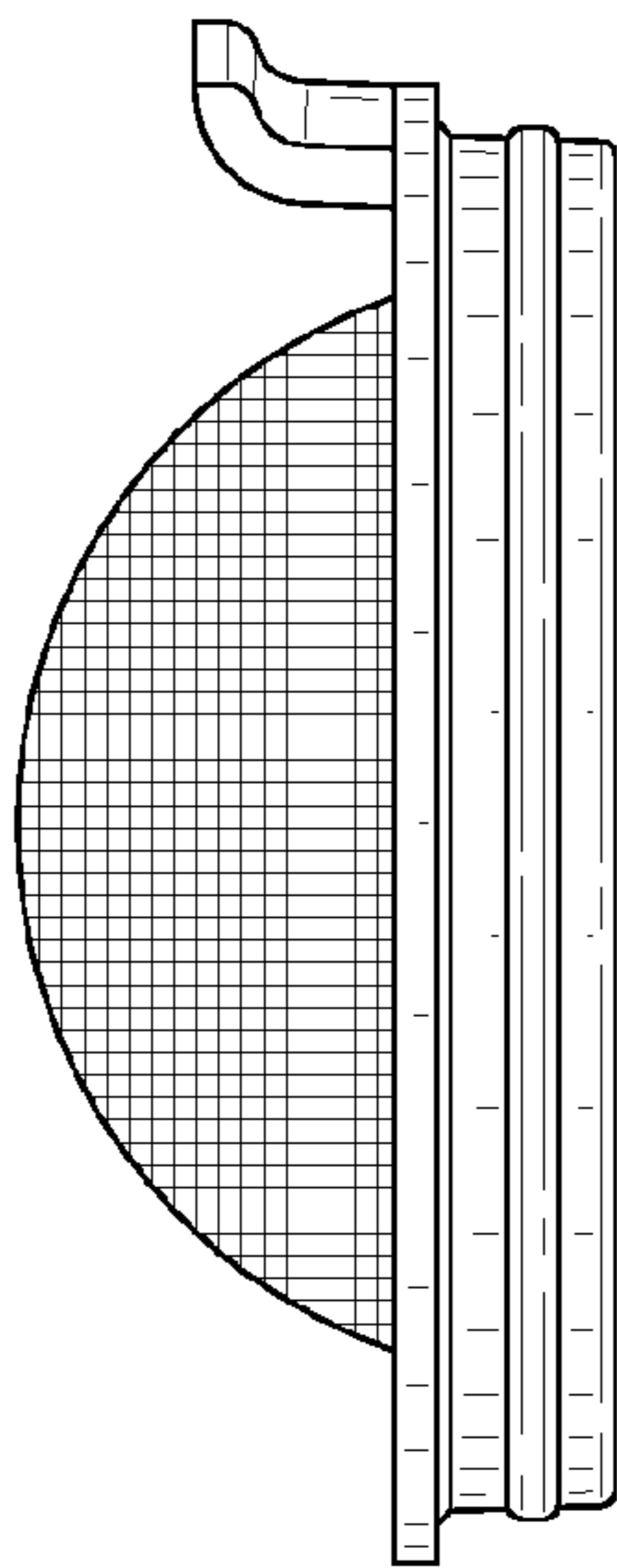


FIG-7

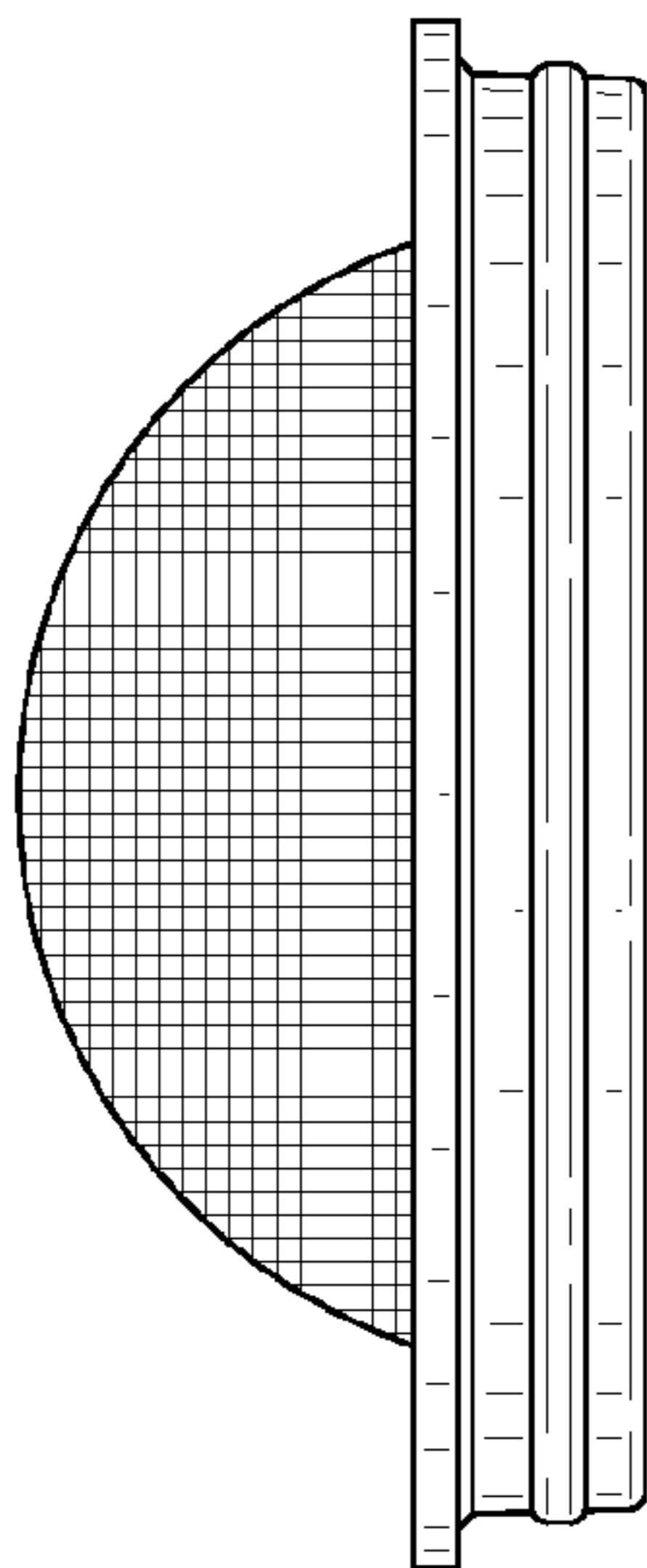


FIG-6

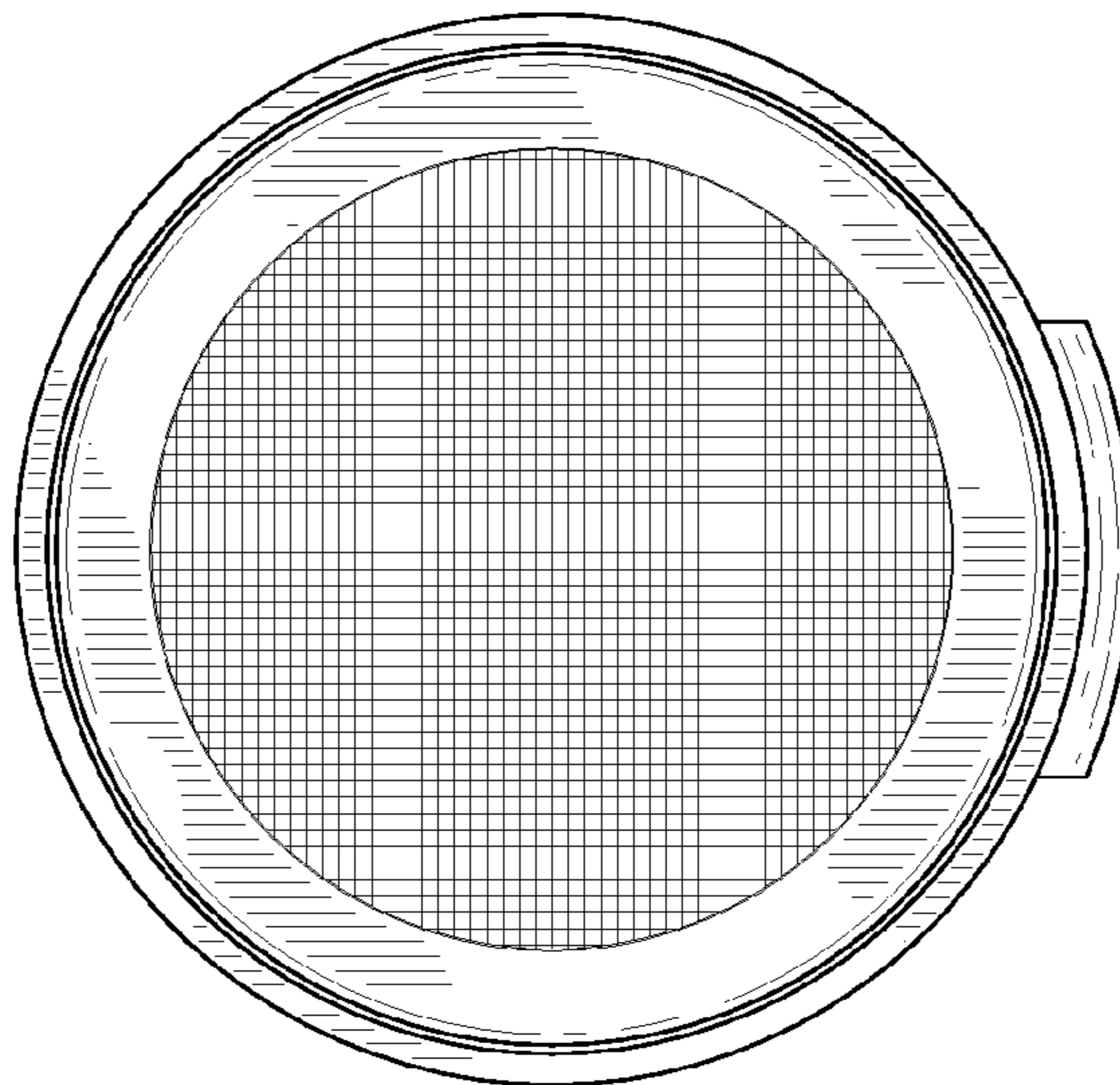


FIG-8