



US00D638096S

(12) **United States Design Patent**  
**Taylor**

(10) **Patent No.:** **US D638,096 S**

(45) **Date of Patent:** **\*\* \*May 17, 2011**

(54) **WAFER-SHAPED HOLLOW FIBER MODULE**

(75) Inventor: **Gareth P. Taylor**, Indian Trail, NC (US)

(73) Assignee: **Celgard LLC**, Charlotte, NC (US)

(\*\*) Term: **14 Years**

(21) Appl. No.: **29/338,029**

(22) Filed: **Jun. 3, 2009**

(51) **LOC (9) Cl.** ..... **23-01**

(52) **U.S. Cl.** ..... **D23/209**

(58) **Field of Classification Search** ..... D23/207,  
D23/209; 210/321.6, 321.61, 634

See application file for complete search history.

(56) **References Cited**

U.S. PATENT DOCUMENTS

D262,484 S \* 12/1981 Ward et al. .... D23/209  
D410,064 S \* 5/1999 Hunter et al. .... D23/209  
5,972,009 A \* 10/1999 Fortier et al. .... 606/157

D555,226 S \* 11/2007 Leavitt et al. .... D23/209  
2006/0163140 A1 7/2006 Taylor et al.  
2007/0278145 A1 12/2007 Taylor et al.

\* cited by examiner

*Primary Examiner* — Robin V Webster

(74) *Attorney, Agent, or Firm* — Hammer & Associates, P.C.

(57) **CLAIM**

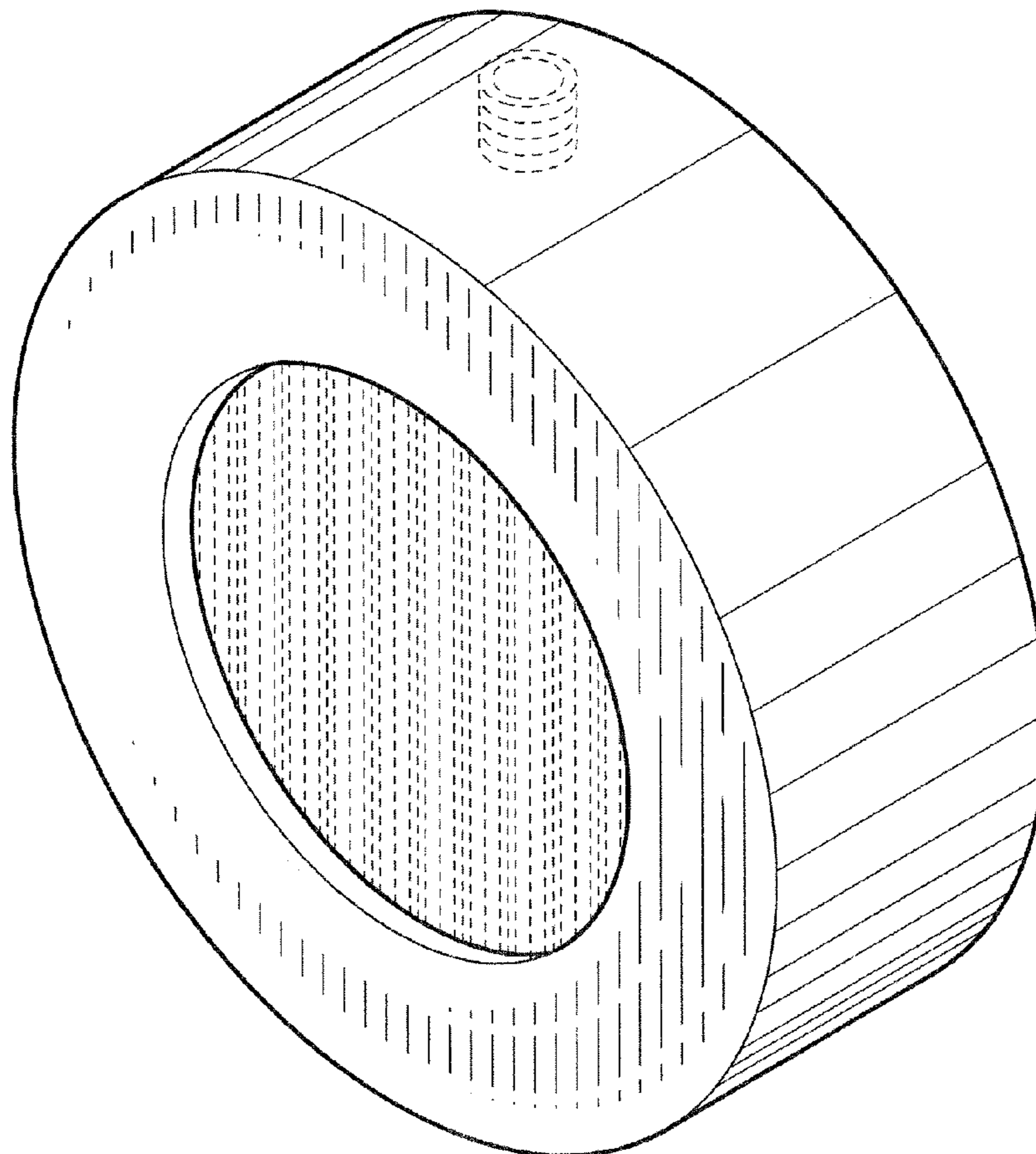
The ornamental design for a wafer-shaped hollow fiber module, as shown and described.

**DESCRIPTION**

FIG. 1 is a perspective view of one embodiment of a wafer-shaped hollow fiber module showing the new design; FIG. 2 is a front plan view of the embodiment from FIG. 1. FIG. 3 is a back plan view of the embodiment from FIG. 1. FIG. 4 is a first side elevational view of the embodiment from FIG. 1; and, FIG. 5 is a second side elevational view of the embodiment from FIG. 1.

The broken line showing of filter media and the threaded features are included for the purpose of illustrating and form no part of the claimed design.

**1 Claim, 4 Drawing Sheets**



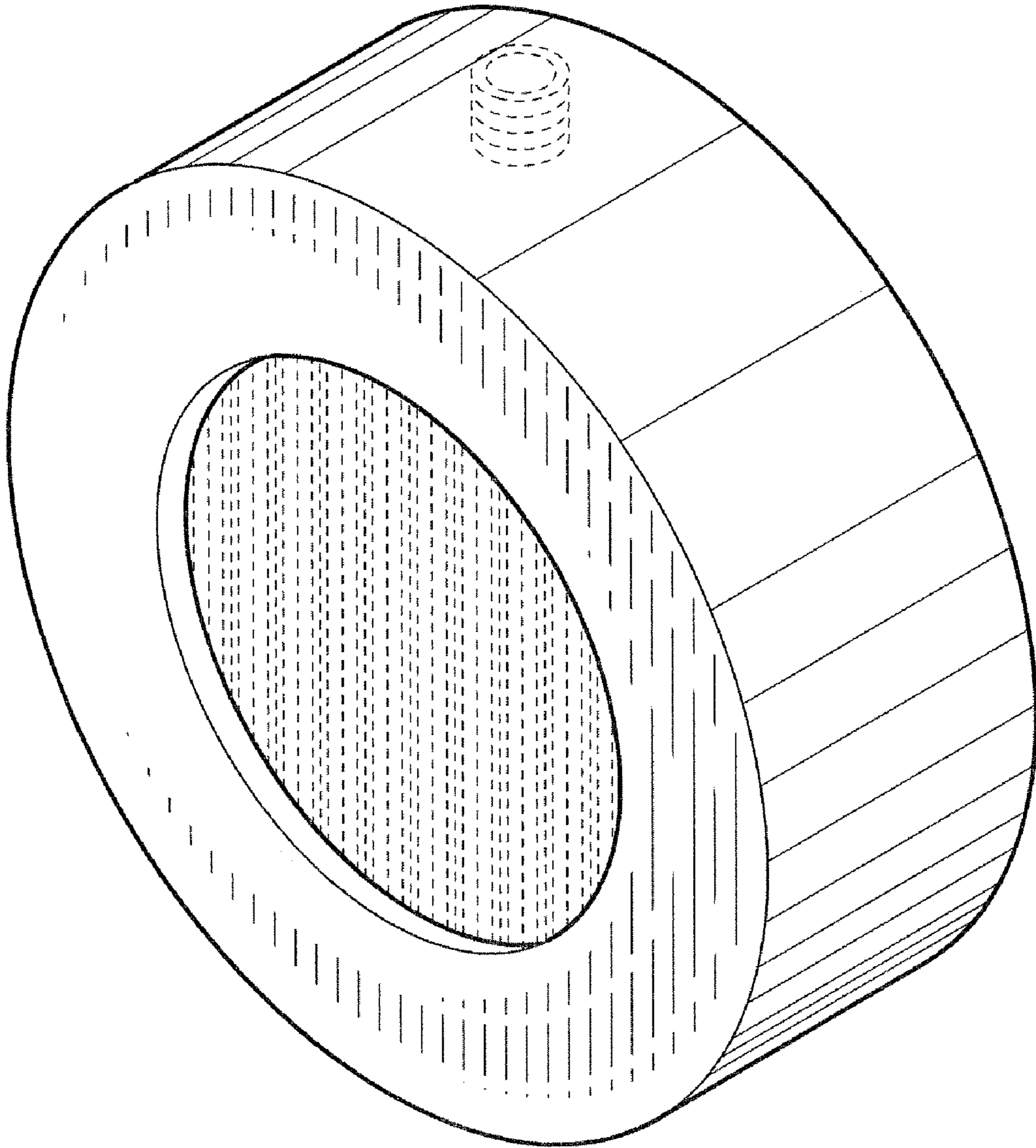


Fig. 1

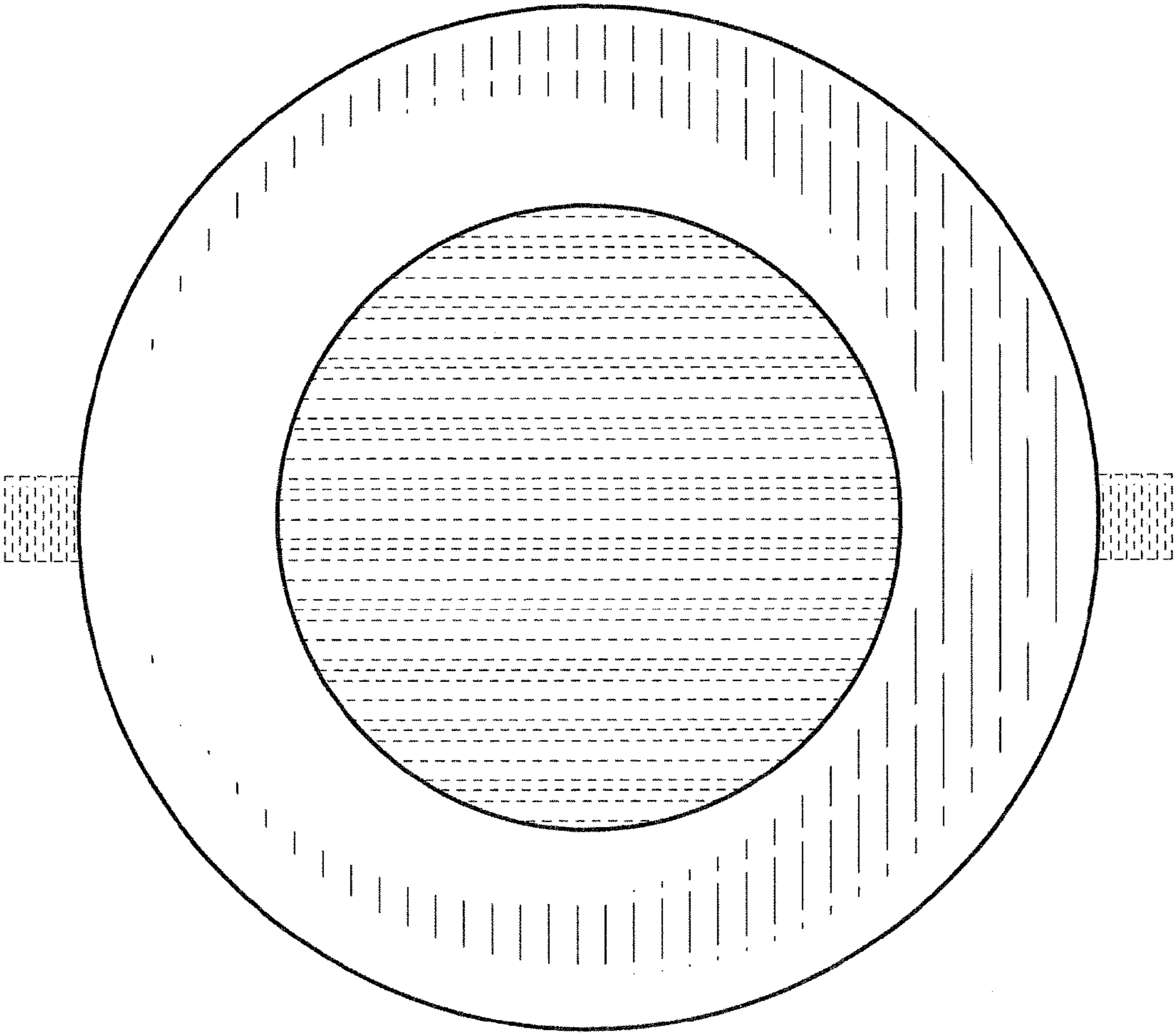


Fig. 2

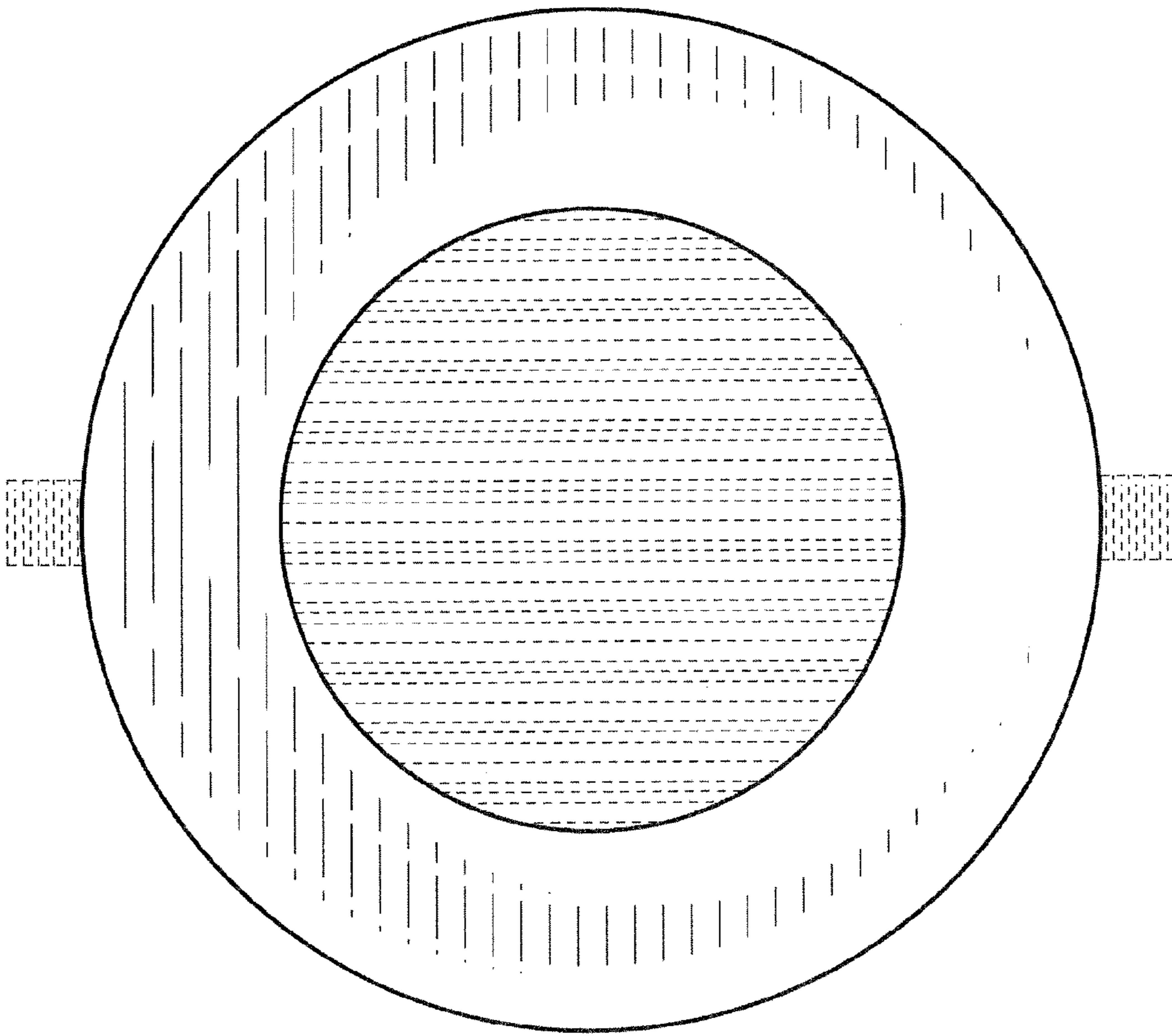


Fig. 3

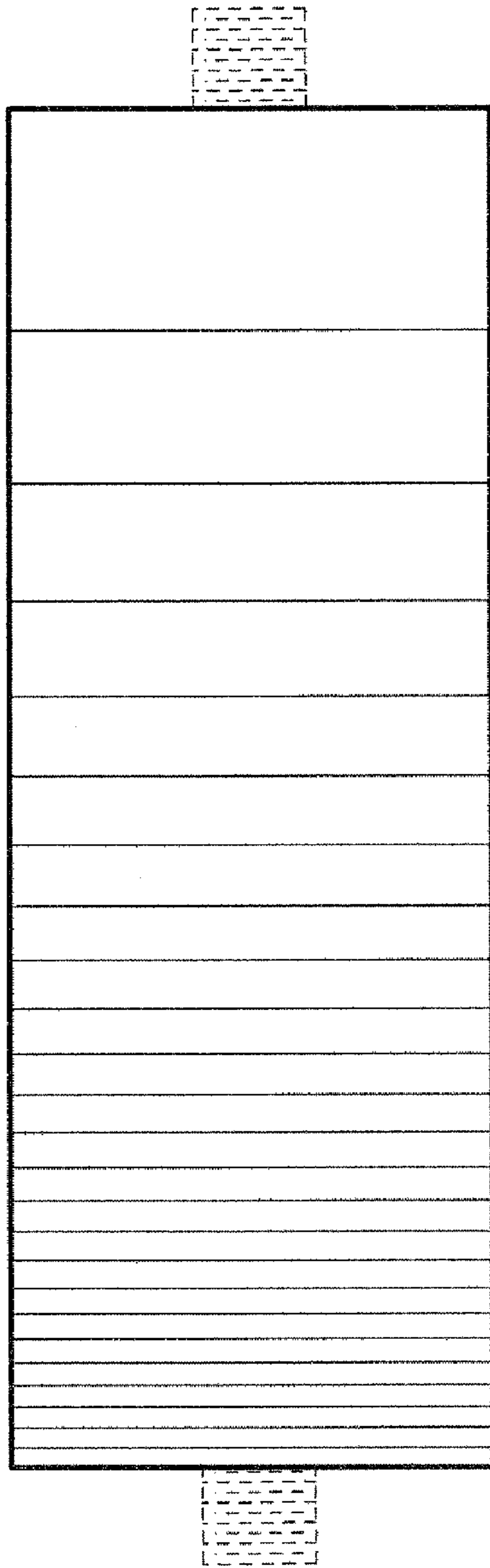


Fig. 4

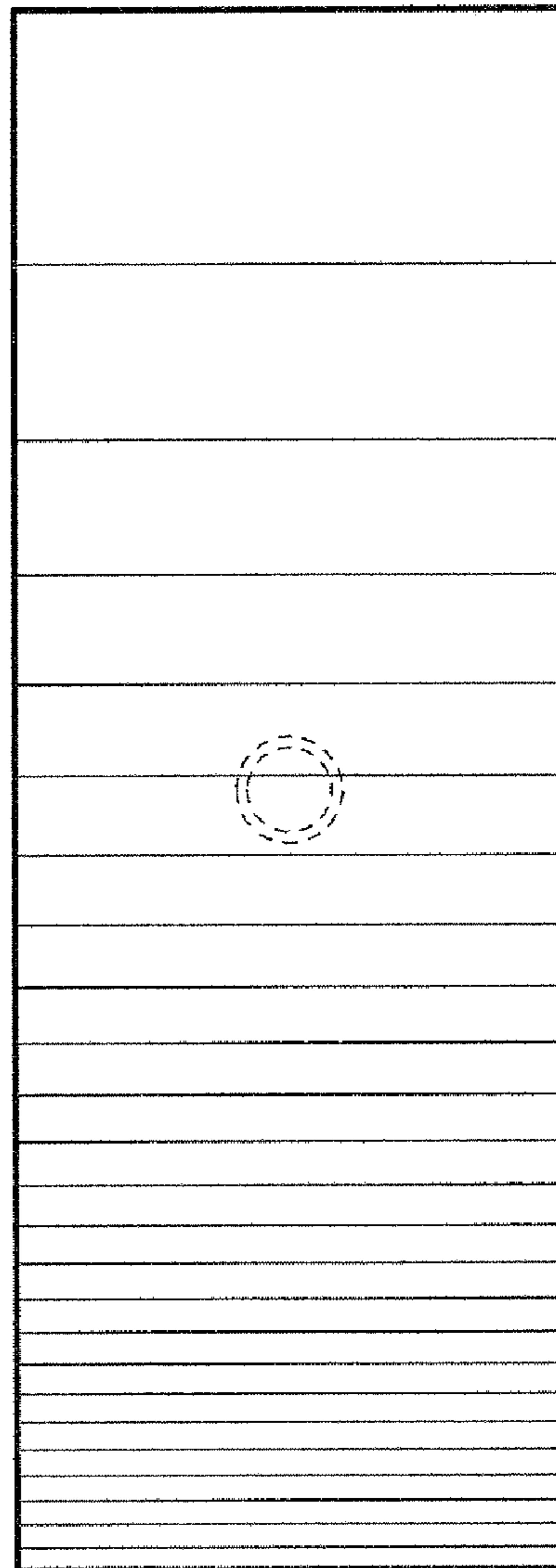


Fig. 5