



US00D638094S

(12) **United States Design Patent**
DiTullio

(10) **Patent No.:** **US D638,094 S**

(45) **Date of Patent:** **** May 17, 2011**

(54) **MANIFOLD FOR WATER STORAGE CHAMBER**

(76) Inventor: **Robert J. DiTullio**, Warren, CT (US)

(**) Term: **14 Years**

(21) Appl. No.: **29/358,813**

(22) Filed: **Apr. 1, 2010**

(51) **LOC (9) Cl.** **23-01**

(52) **U.S. Cl.** **D23/202; D23/207**

(58) **Field of Classification Search** **D23/202, D23/207, 209; 210/170.03; 405/42, 43, 405/48, 49**

See application file for complete search history.

(56) **References Cited**

U.S. PATENT DOCUMENTS

4,759,661	A *	7/1988	Nichols et al.	405/48
D329,684	S *	9/1992	Gray	D23/207
5,419,838	A	5/1995	DiTullio		
5,773,756	A	6/1998	DiTullio		
6,129,482	A	10/2000	DiTullio		
6,322,288	B1	11/2001	DiTullio		
6,361,248	B1 *	3/2002	Maestro	405/49
D474,524	S *	5/2003	Benecke	D23/207
D477,381	S *	7/2003	Benecke	D23/207
6,612,777	B2 *	9/2003	Maestro	405/49
6,679,653	B1	1/2004	DiTullio		
6,854,925	B2	2/2005	DiTullio		
D537,912	S *	3/2007	Benecke	D23/207

7,226,241	B2	6/2007	DiTullio		
7,491,015	B2 *	2/2009	Coppes et al.	405/42
7,500,805	B1 *	3/2009	Brochu et al.	405/43
7,517,172	B2 *	4/2009	Sipaila	405/45
7,637,691	B1	12/2009	DiTullio		
D613,819	S	4/2010	DiTullio		
2004/0101369	A1	5/2004	DiTullio		
2004/0184884	A1	9/2004	DiTullio		
2010/0008727	A1	1/2010	DiTullio		
2010/0196099	A1	8/2010	DiTullio		

* cited by examiner

Primary Examiner — Robin V Webster

(74) *Attorney, Agent, or Firm* — St. Onge Steward Johnston & Reens LLC

(57) **CLAIM**

The ornamental design for a manifold for water storage chamber, as shown and described.

DESCRIPTION

FIG. 1 is a front, top, and left side isometric view of a manifold for water storage chamber in accordance with the new design;

FIG. 2 is a rear, top, and left side isometric view thereof;

FIG. 3 is a front elevation view thereof;

FIG. 4 is a right side elevation view thereof;

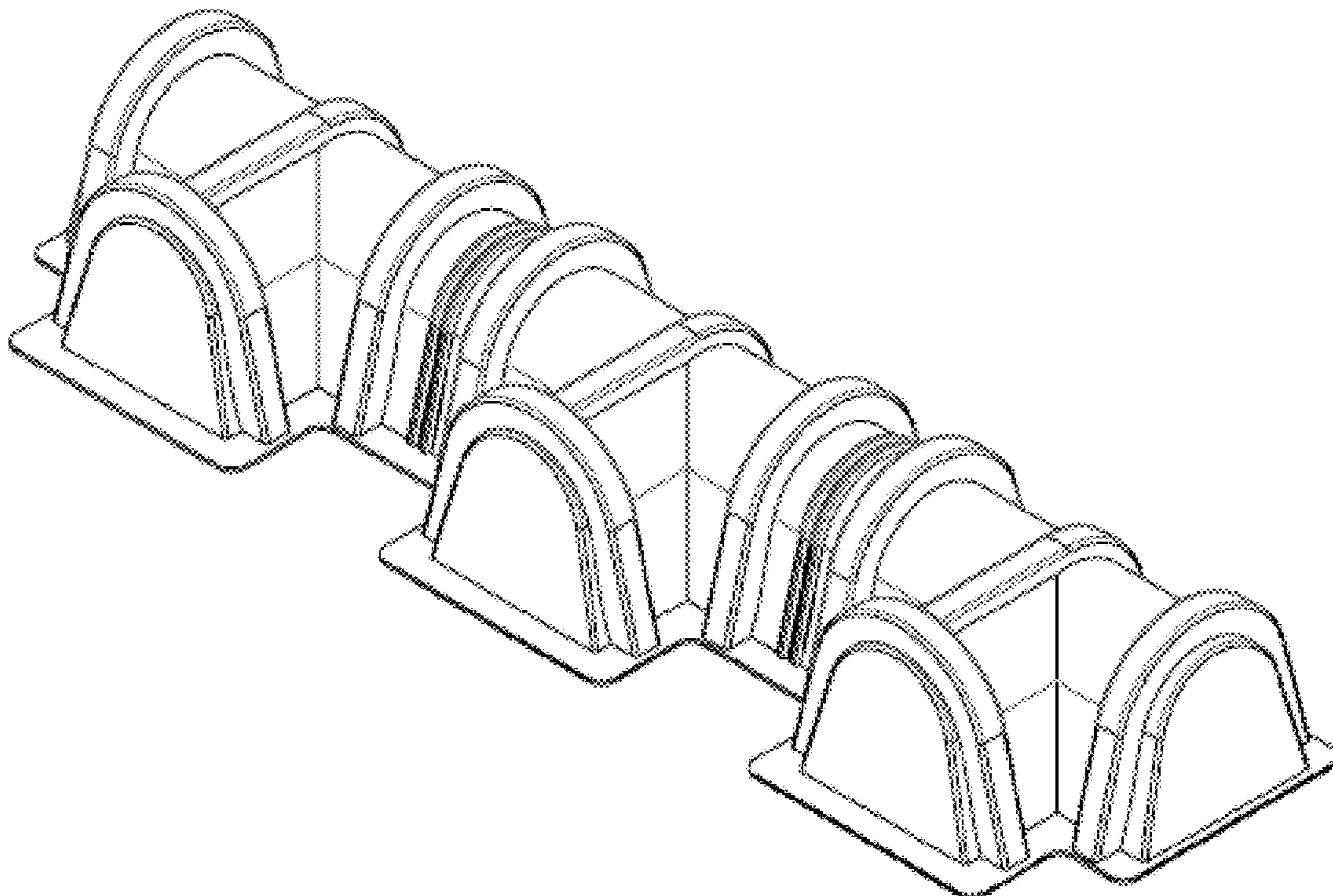
FIG. 5 is rear elevation view thereof;

FIG. 6 is a left side elevation view thereof;

FIG. 7 is a top plan view thereof; and,

FIG. 8 is a bottom plan view thereof.

1 Claim, 8 Drawing Sheets



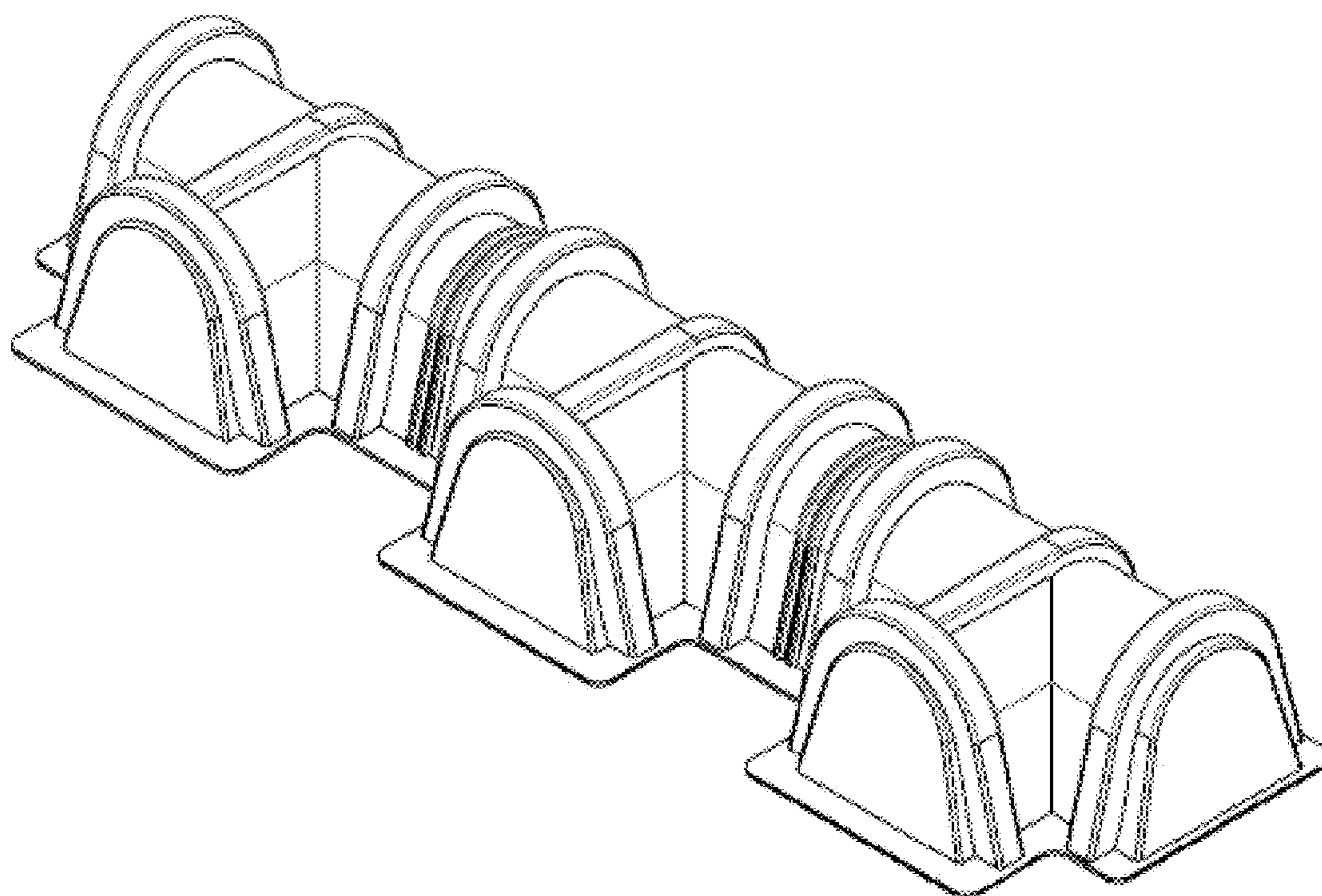


FIG. 1

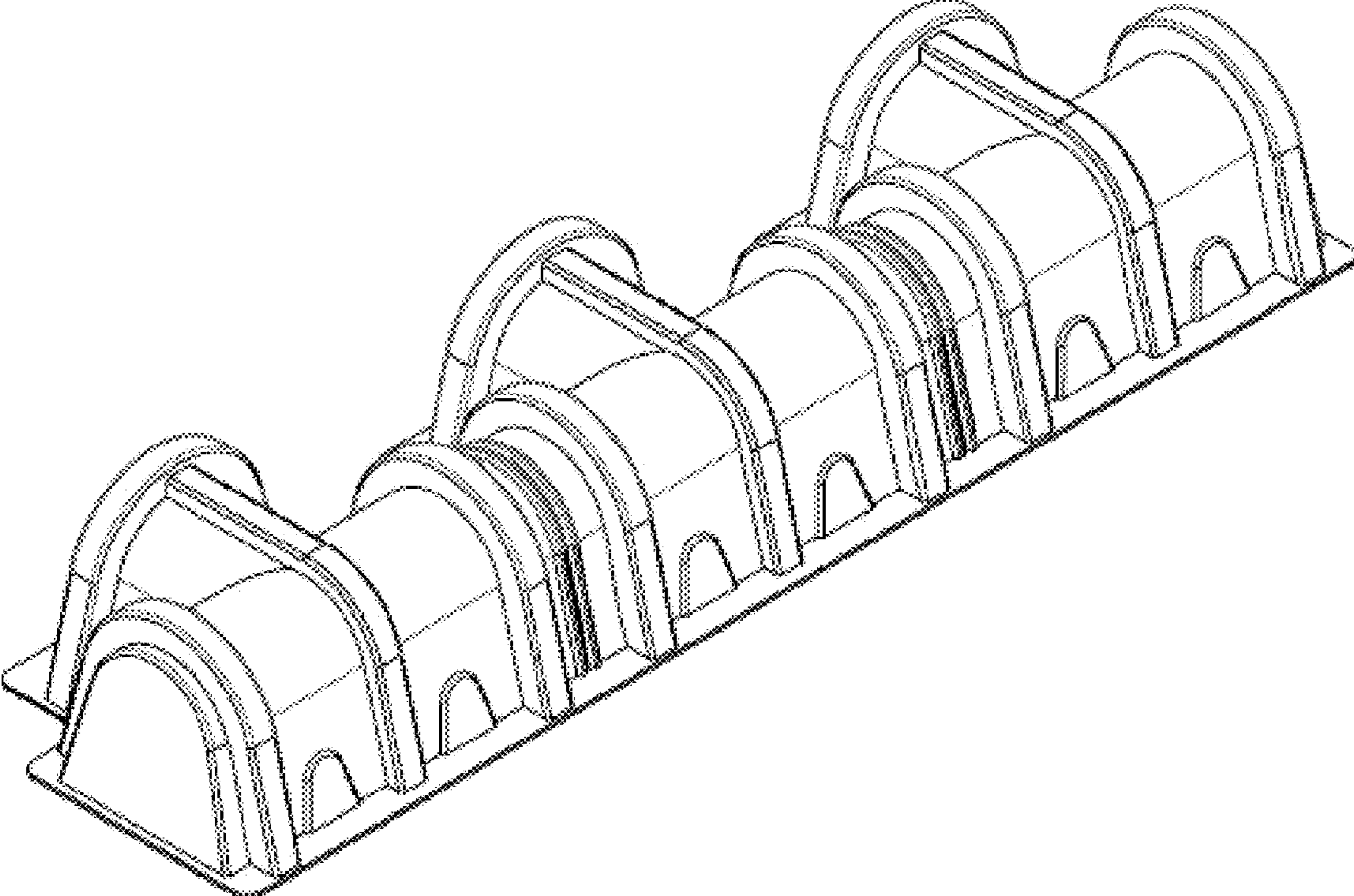


FIG. 2

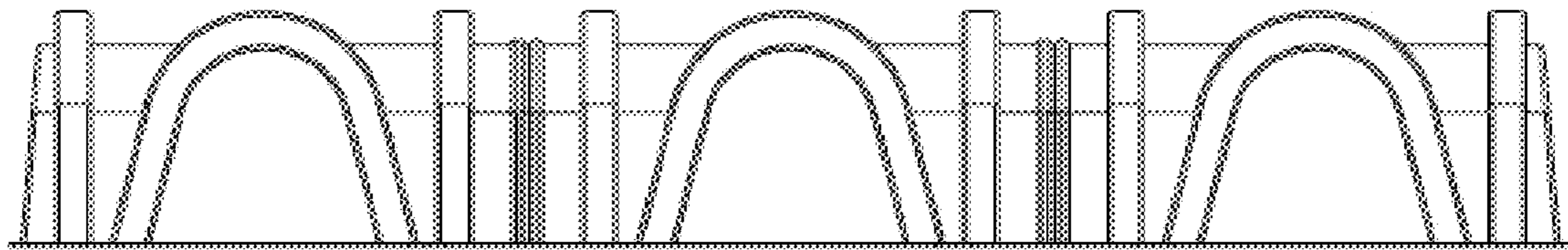


FIG. 3

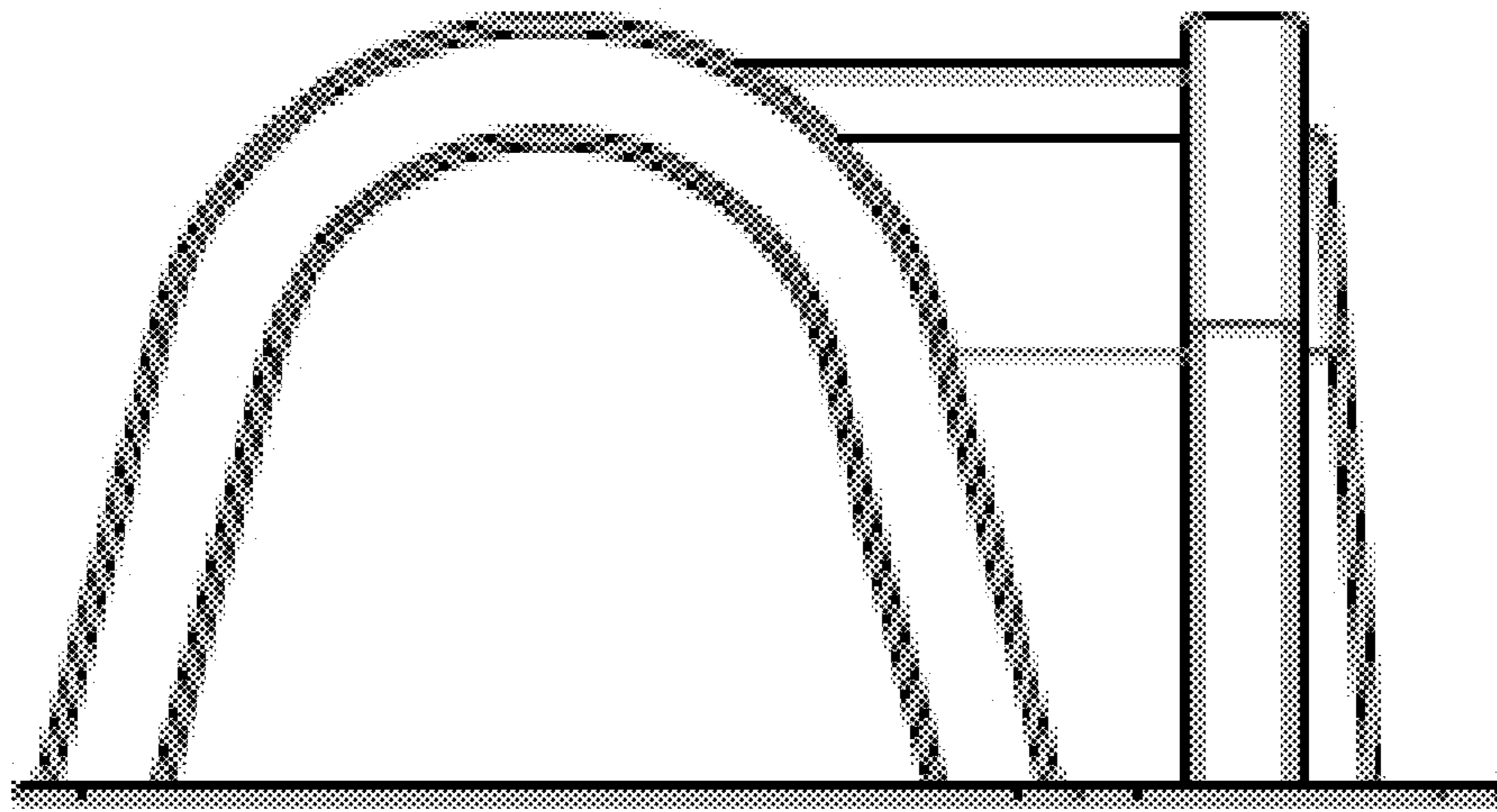


FIG. 4

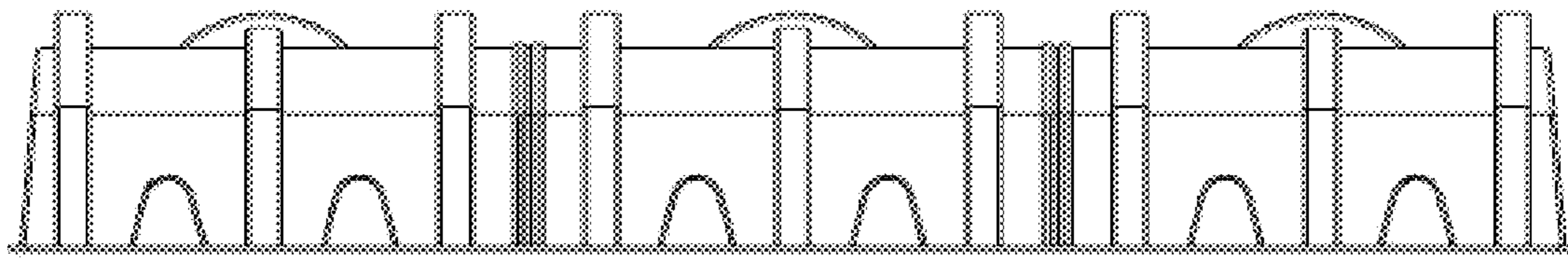


FIG. 5

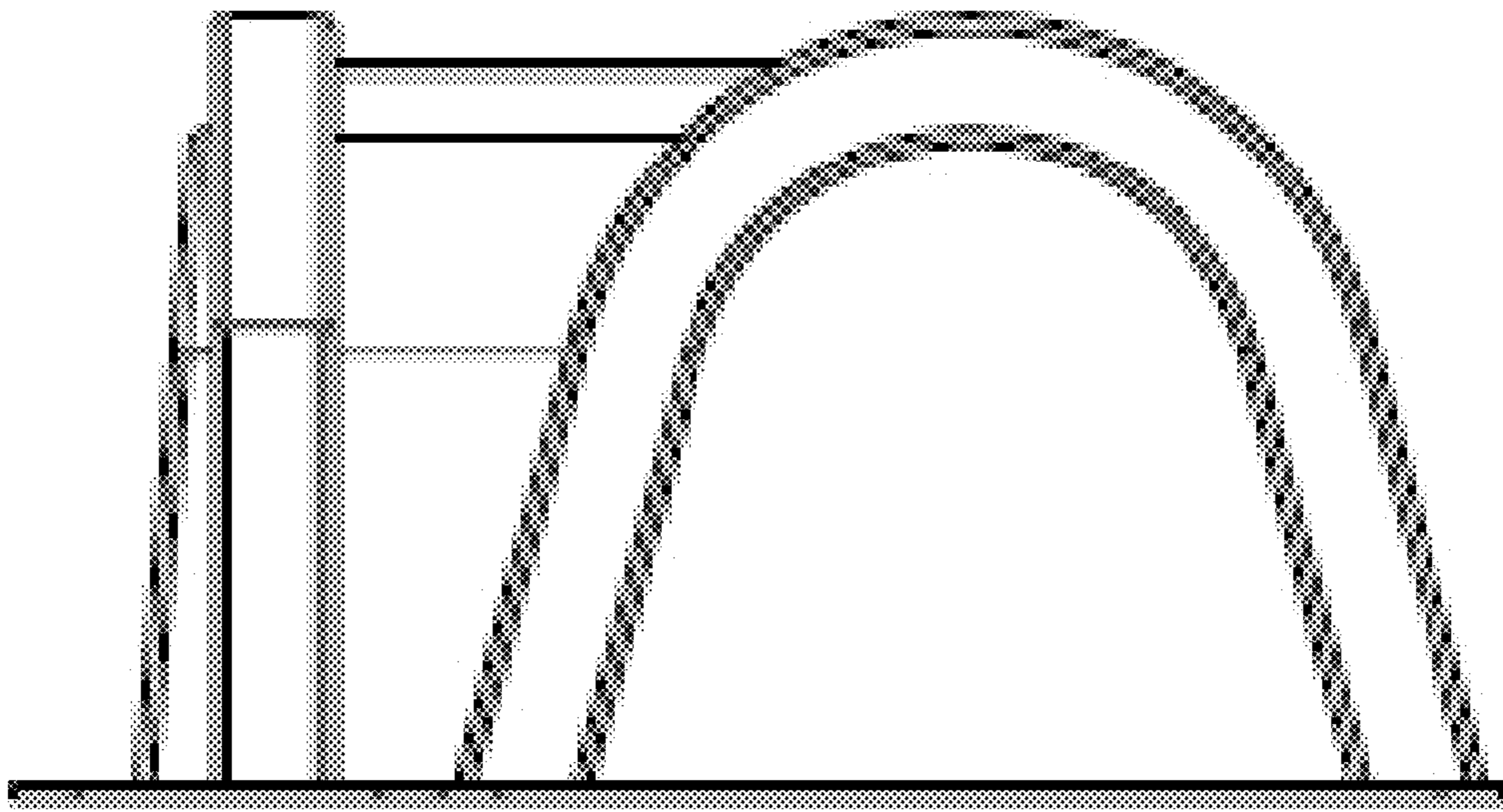


FIG. 6

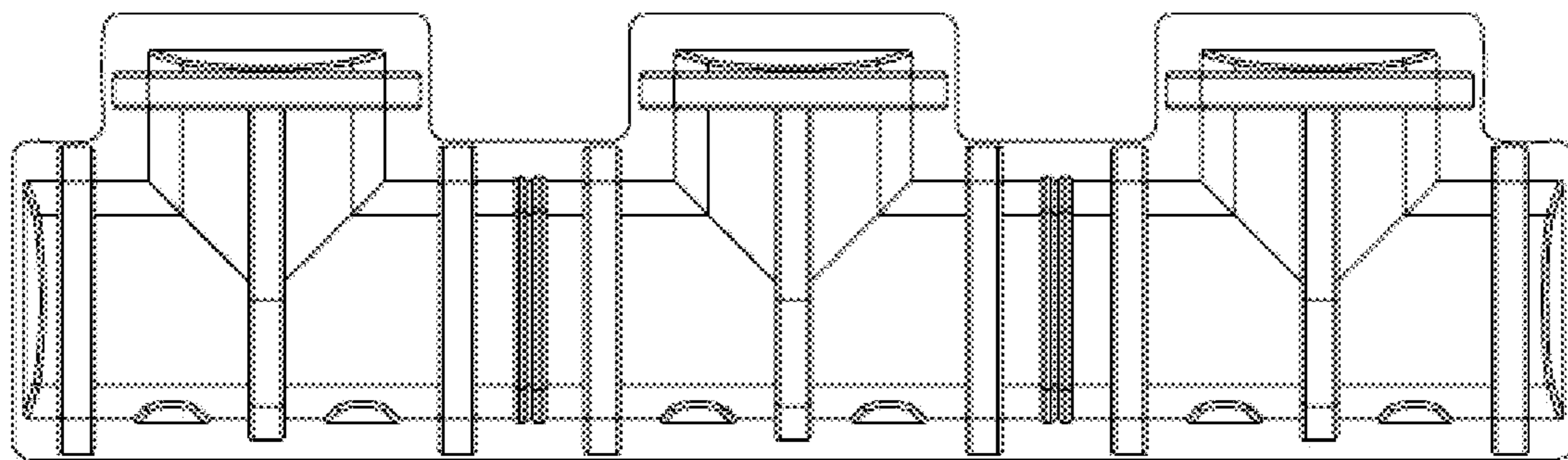


FIG. 7

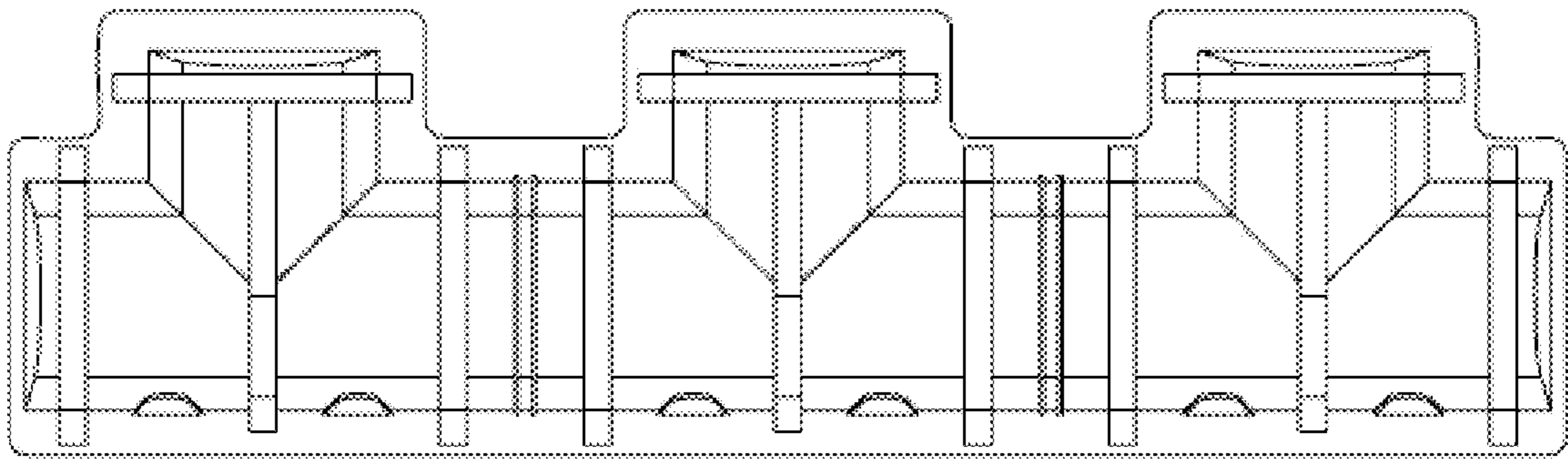


FIG. 8