



US00D638093S

(12) **United States Design Patent**
Malcarne

(10) **Patent No.:** **US D638,093 S**

(45) **Date of Patent:** **** May 17, 2011**

(54) **FISHING ROD TIP ORIFICE**

3,058,255 A * 10/1962 Gorham 43/24
D368,295 S * 3/1996 Mata D22/143
D497,404 S * 10/2004 Malcarne D22/143

(75) Inventor: **Frederick Joseph Malcarne,**
Westbrook, CT (US)

* cited by examiner

(73) Assignee: **Winthrop Tool LLC,** Deep River, CT
(US)

Primary Examiner — Catherine R Oliver

(74) *Attorney, Agent, or Firm* — Cantor Colburn, LLC

(**) Term: **14 Years**

(57) **CLAIM**

I claim, the ornamental design for a fishing rod tip orifice, as shown and described.

(21) Appl. No.: **29/322,709**

DESCRIPTION

(22) Filed: **Aug. 11, 2008**

FIG. 1 is a top plan view of a fishing rod tip showing my new design;

(51) **LOC (9) Cl.** **22-05**

FIG. 2 is a right side elevational view thereof;

(52) **U.S. Cl.** **D22/143**

FIG. 3 is a bottom plan view thereof;

(58) **Field of Classification Search** D22/143,

FIG. 4 is a proximal end view thereof; and,

D22/142, 138-139; 43/18, 24

FIG. 5 is a distal end view thereof.

See application file for complete search history.

The left side of the illustrated base for the fishing rod tip is not shown because it is a mirror image of the right side shown in FIG. 2.

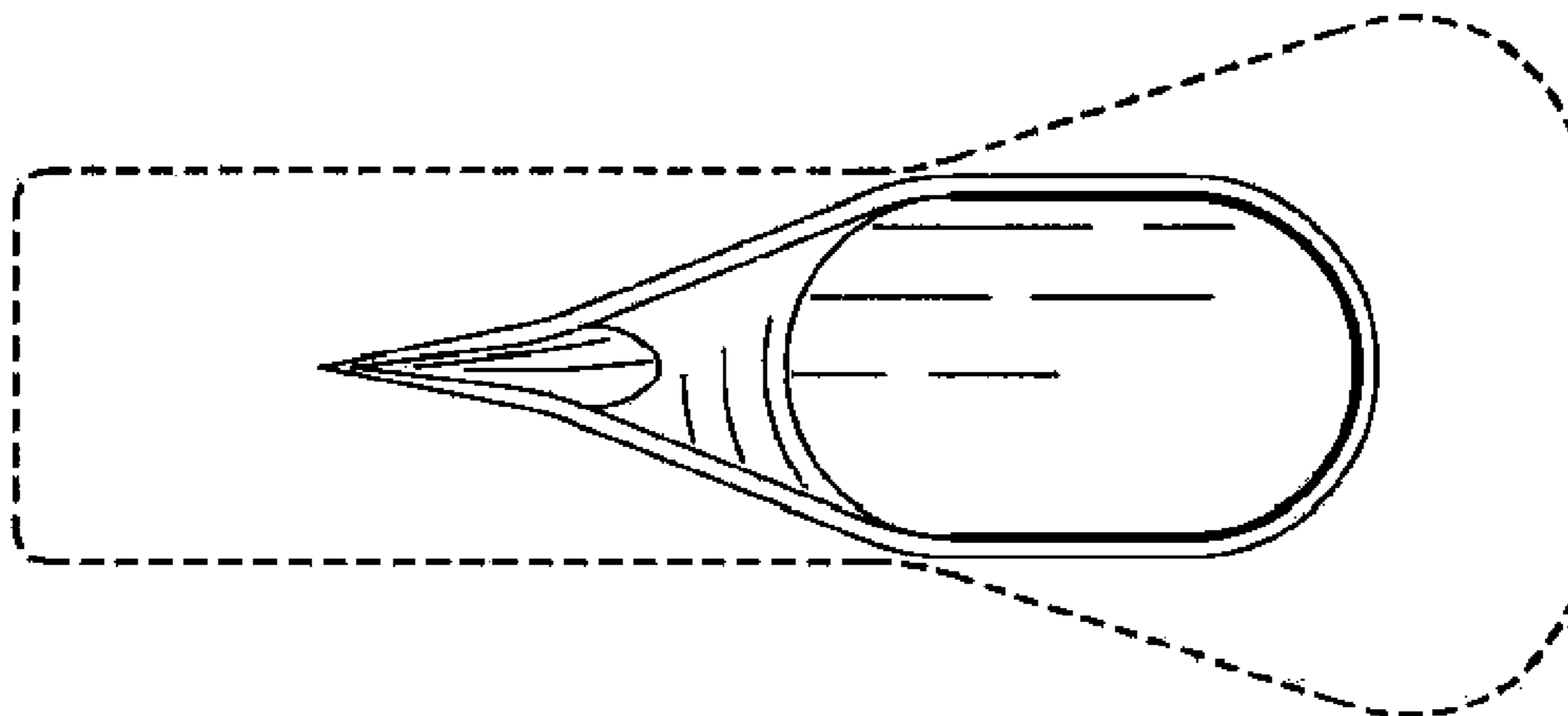
(56) **References Cited**

Any broken line illustration in the drawing disclosure is not part of the design sought to be patented.

U.S. PATENT DOCUMENTS

D153,370 S * 4/1949 Lundstedt D22/143
2,792,660 A * 5/1957 Jennette 43/24

1 Claim, 1 Drawing Sheet



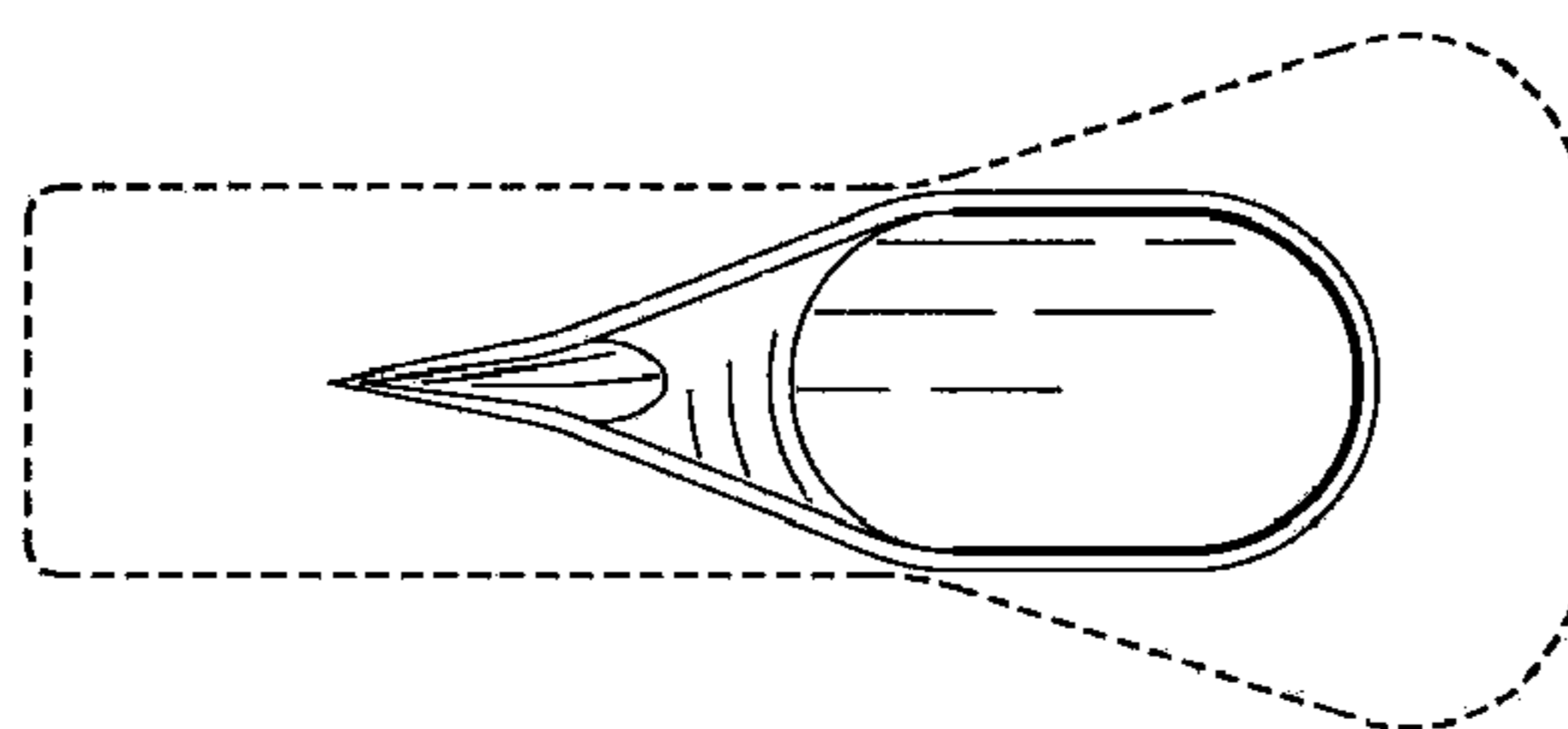


Fig. 1

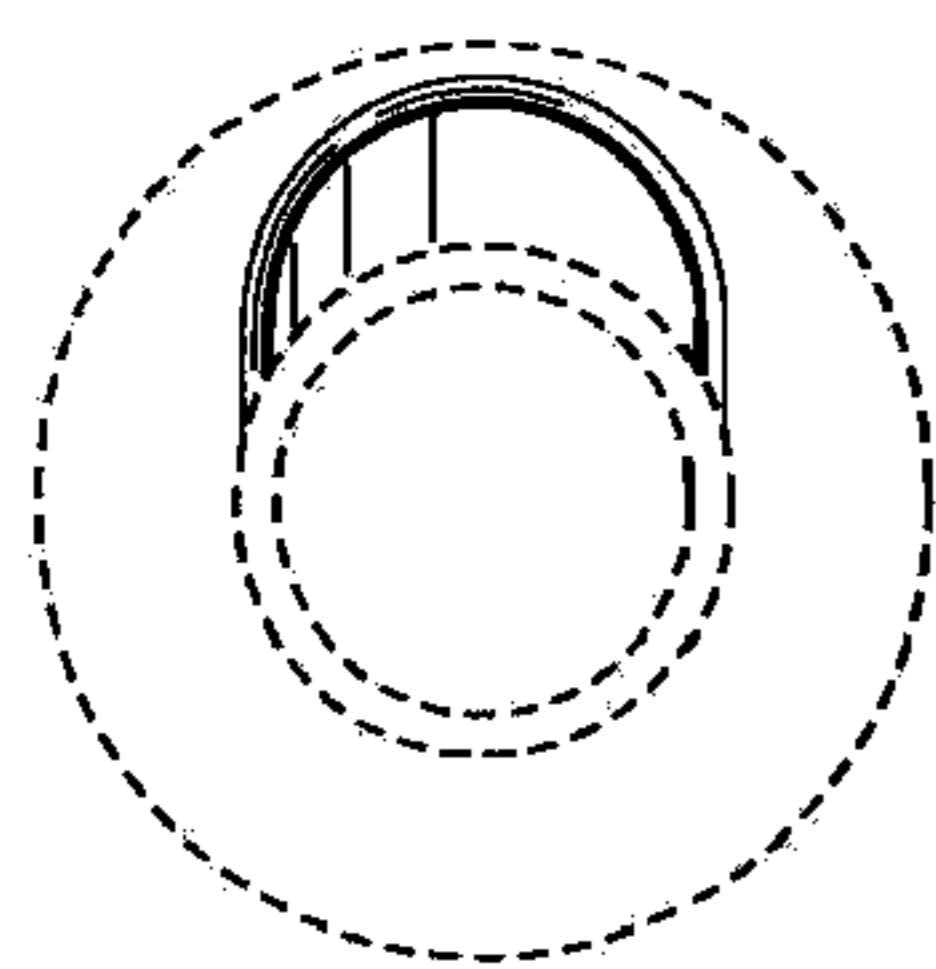


Fig. 4

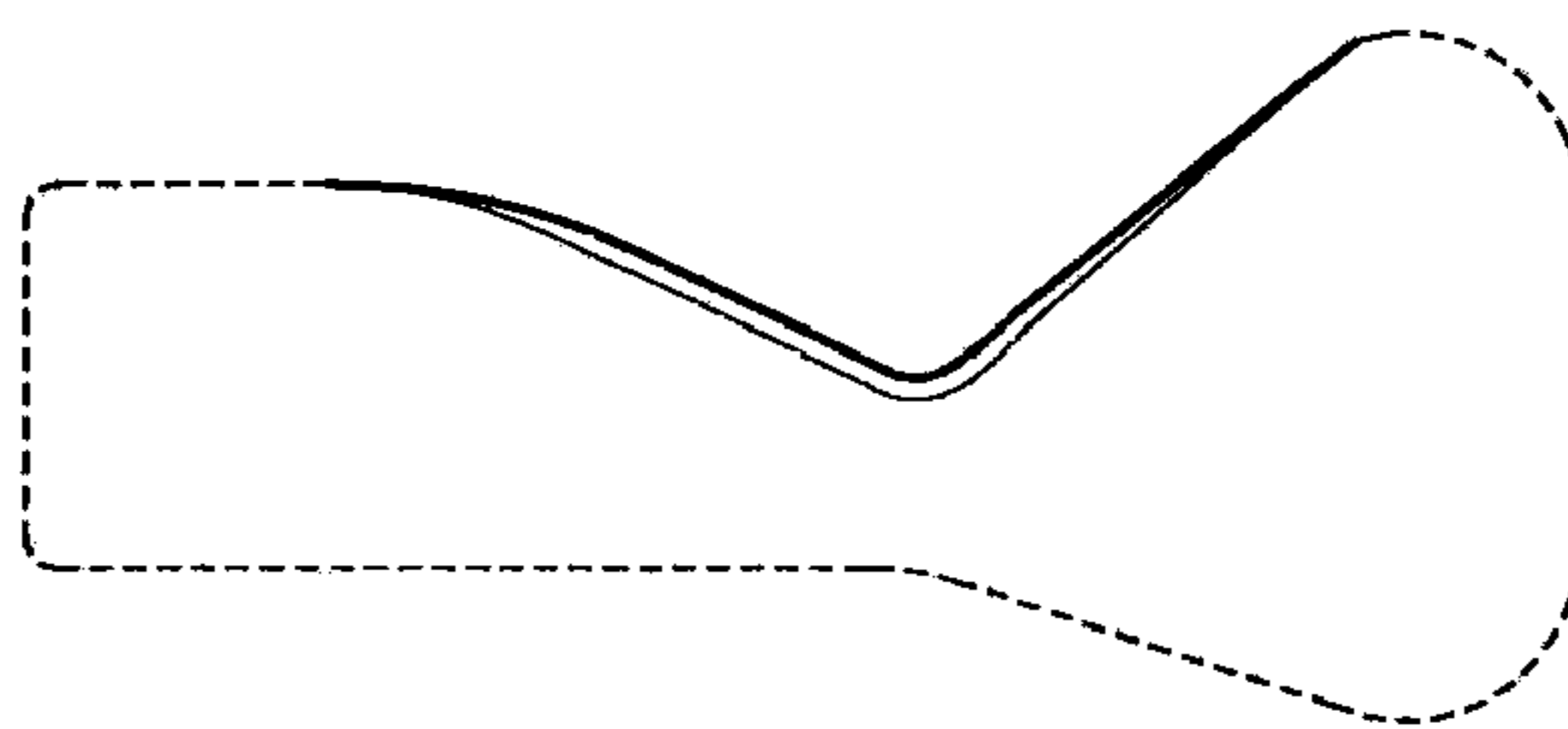


Fig. 2

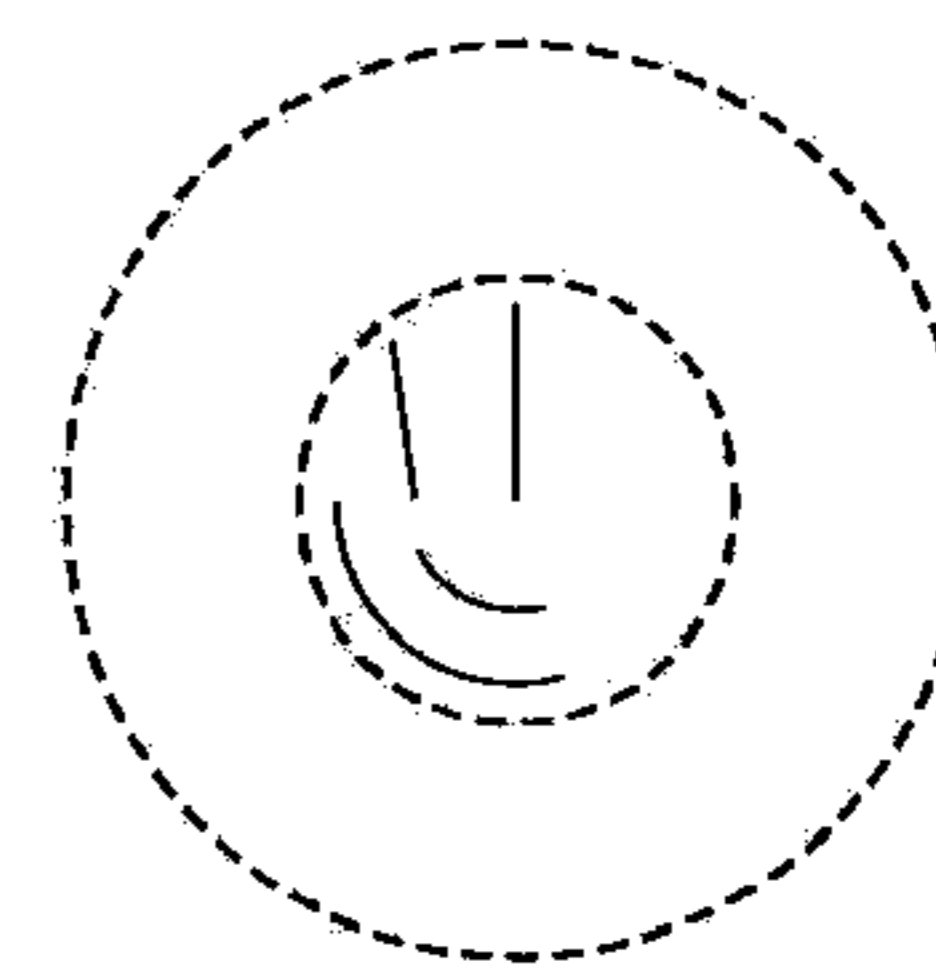


Fig. 5

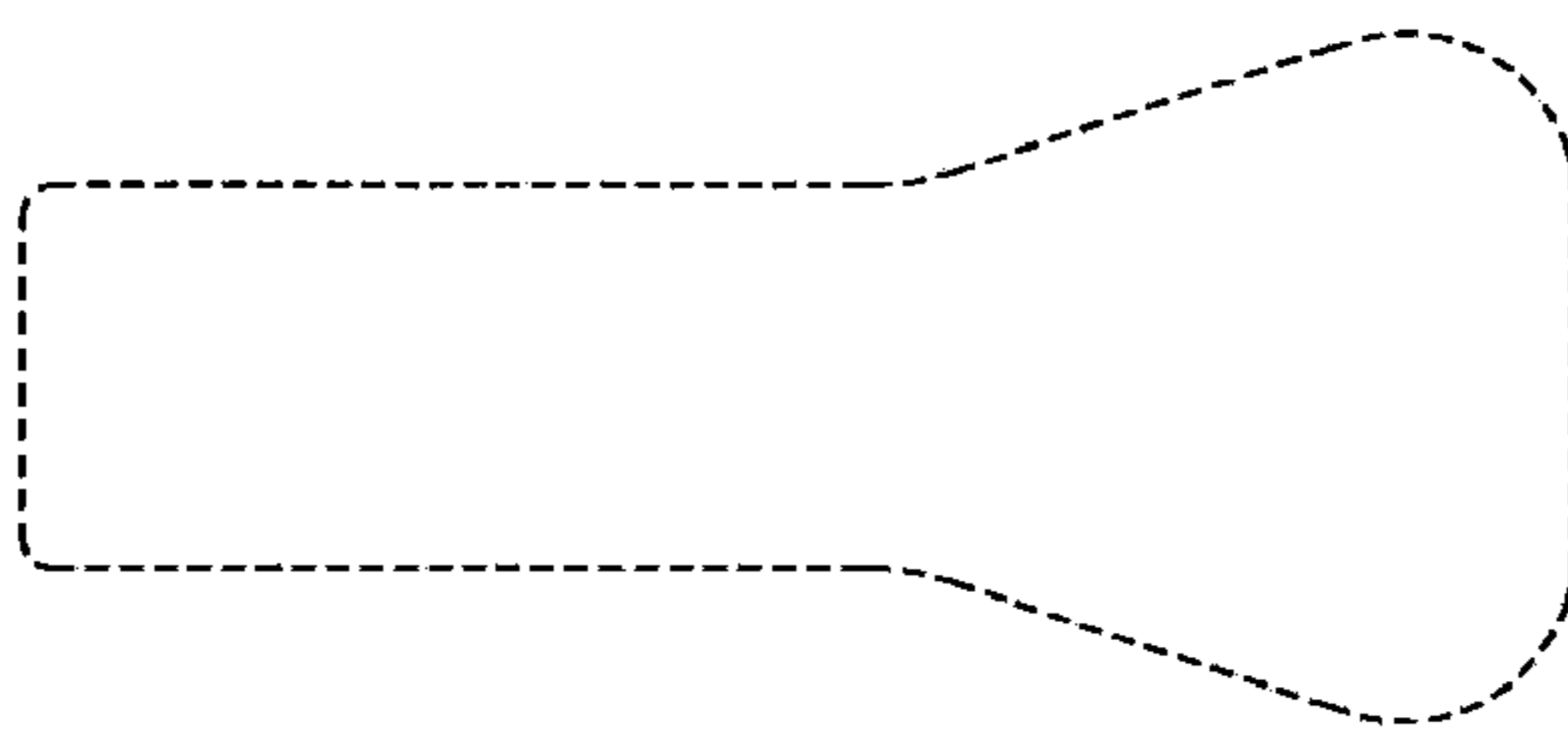


Fig. 3