



US00D638092S

(12) **United States Design Patent**
Heller et al.

(10) **Patent No.:** **US D638,092 S**

(45) **Date of Patent:** **** May 17, 2011**

(54) **FISHING REEL**

OTHER PUBLICATIONS

(75) Inventors: **David S. Heller**, Montrose, CO (US);
Robert P. Hauck, Montrose, CO (US)

Ross Reels USA 2010 Catalog Jul. 31, 2010.

* cited by examiner

(73) Assignee: **3M Innovative Properties Company**,
St. Paul, MN (US)

Primary Examiner — Catherine R Oliver

(74) *Attorney, Agent, or Firm* — Lisa P. Fulton

(**) Term: **14 Years**

(57) **CLAIM**

(21) Appl. No.: **29/369,415**

The ornamental design for a fishing reel, as shown and described.

(22) Filed: **Sep. 8, 2010**

(51) **LOC (9) Cl.** **22-05**

(52) **U.S. Cl.** **D22/140**

(58) **Field of Classification Search** D22/137-141;
242/118.4, 118.3, 118.7, 311, 317-323, 224,
242/295, 234-240, 303

See application file for complete search history.

DESCRIPTION

FIG. 1 is a front perspective view of a fishing reel showing our new design;

FIG. 2 is a rear perspective view thereof;

FIG. 3 is a front view thereof;

FIG. 4 is a rear view thereof;

FIG. 5 is a right side view thereof;

FIG. 6 is a left side view thereof;

FIG. 7 is a top view thereof; and,

FIG. 8 is a bottom view thereof.

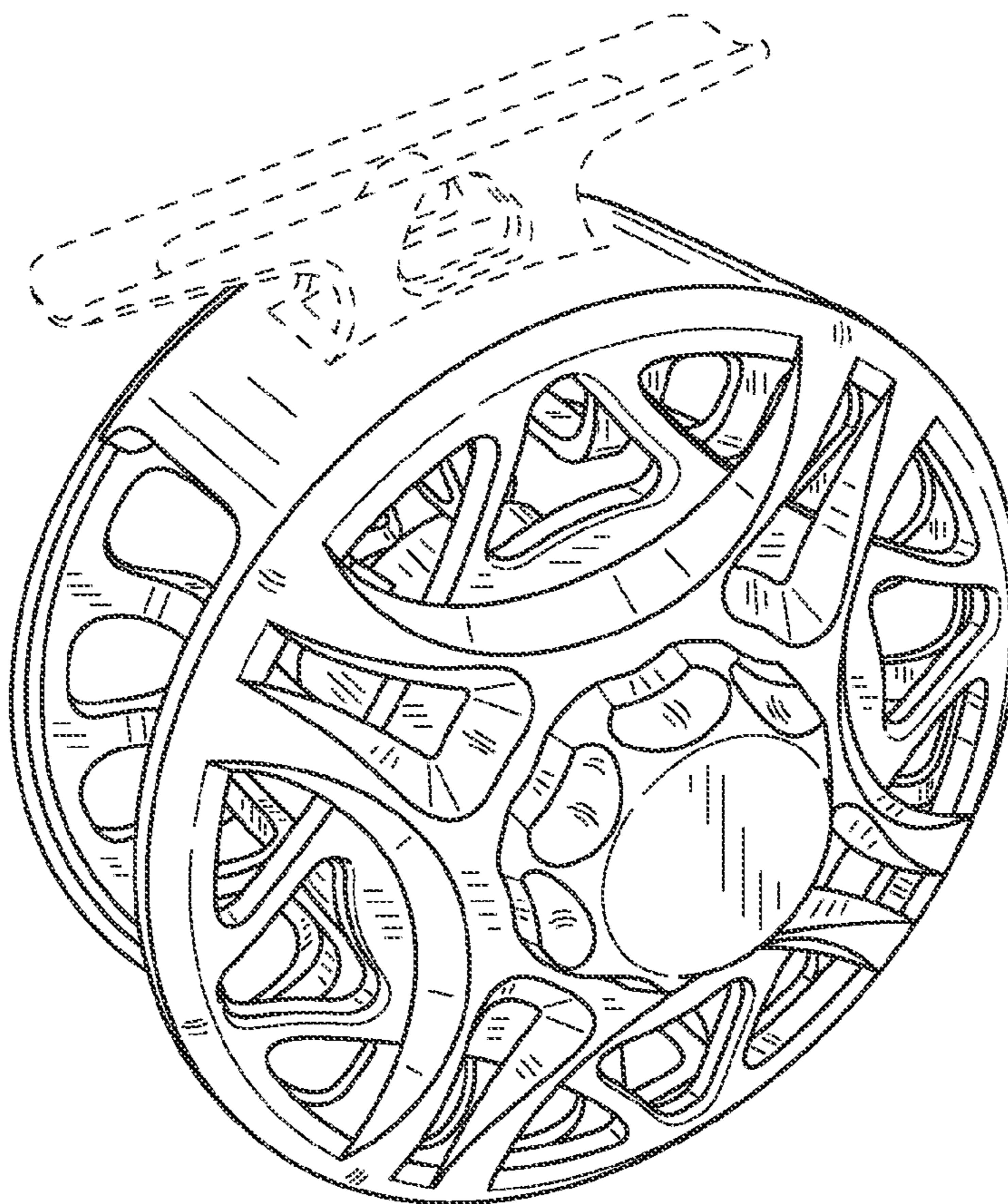
The broken line showing of environment in the drawings is included for the purpose of illustrating only and forms no part of the claimed design.

(56) **References Cited**

U.S. PATENT DOCUMENTS

D360,928	S	*	8/1995	Bogner	D22/140
D443,017	S	*	5/2001	Alden	D22/140
D521,105	S	*	5/2006	Lepage	D22/140
D529,123	S	*	9/2006	Nago	D22/140
D558,299	S	*	12/2007	Lepage et al.	D22/140
D581,008	S	*	11/2008	Danielsson	D22/140
7,832,673	B2	*	11/2010	Lee et al.	242/317

1 Claim, 8 Drawing Sheets



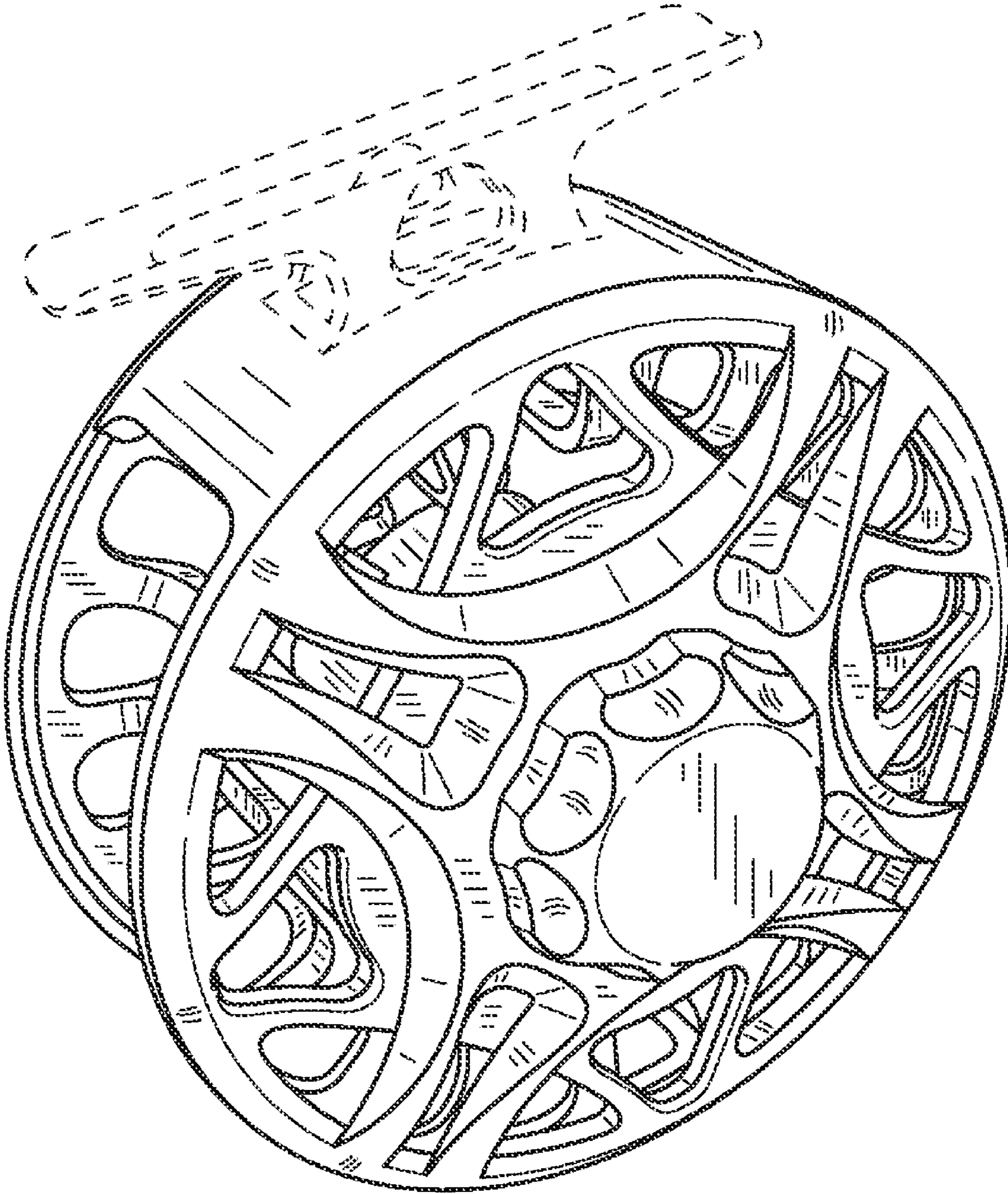


FIG. 1

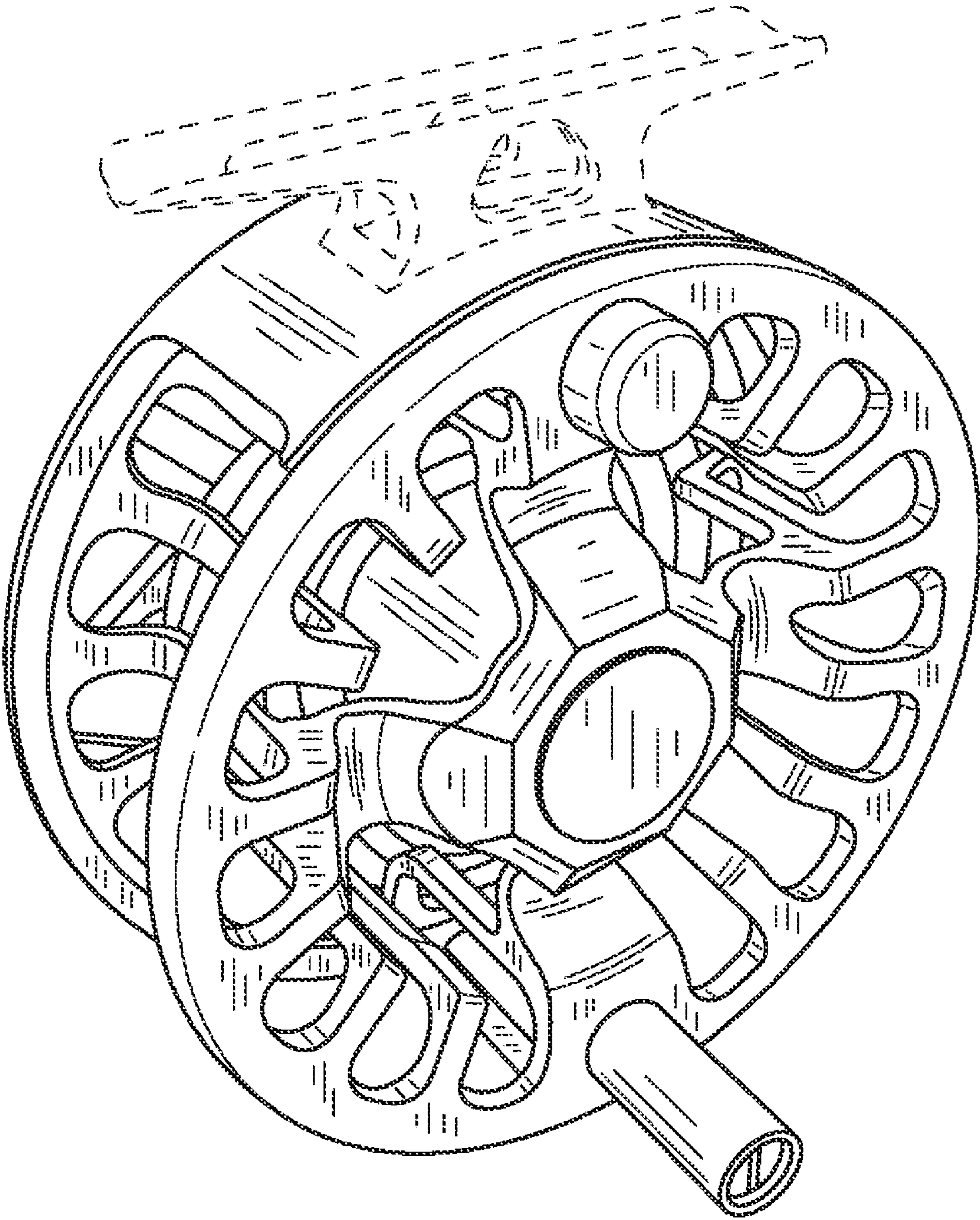


FIG. 2

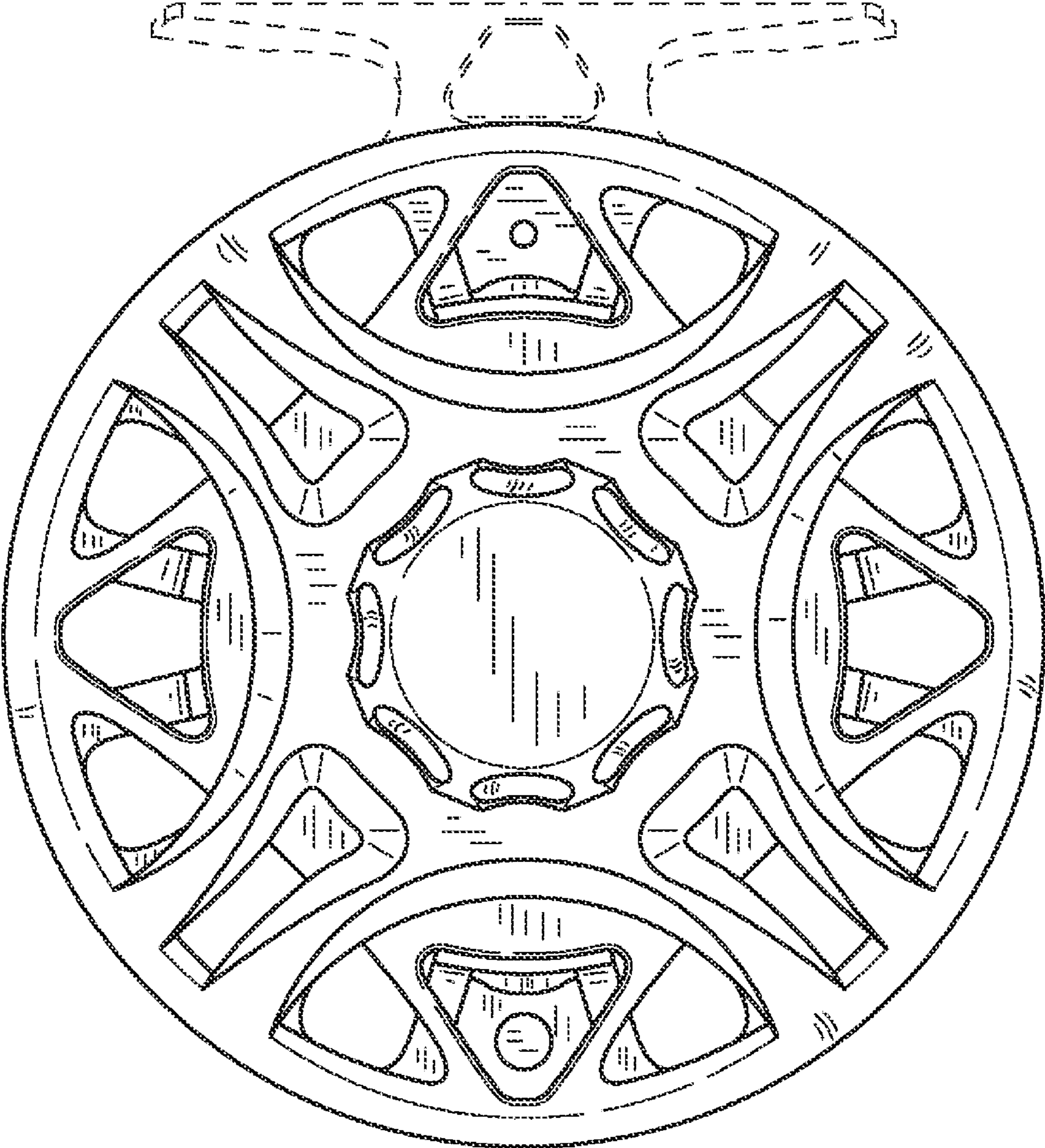


FIG. 3

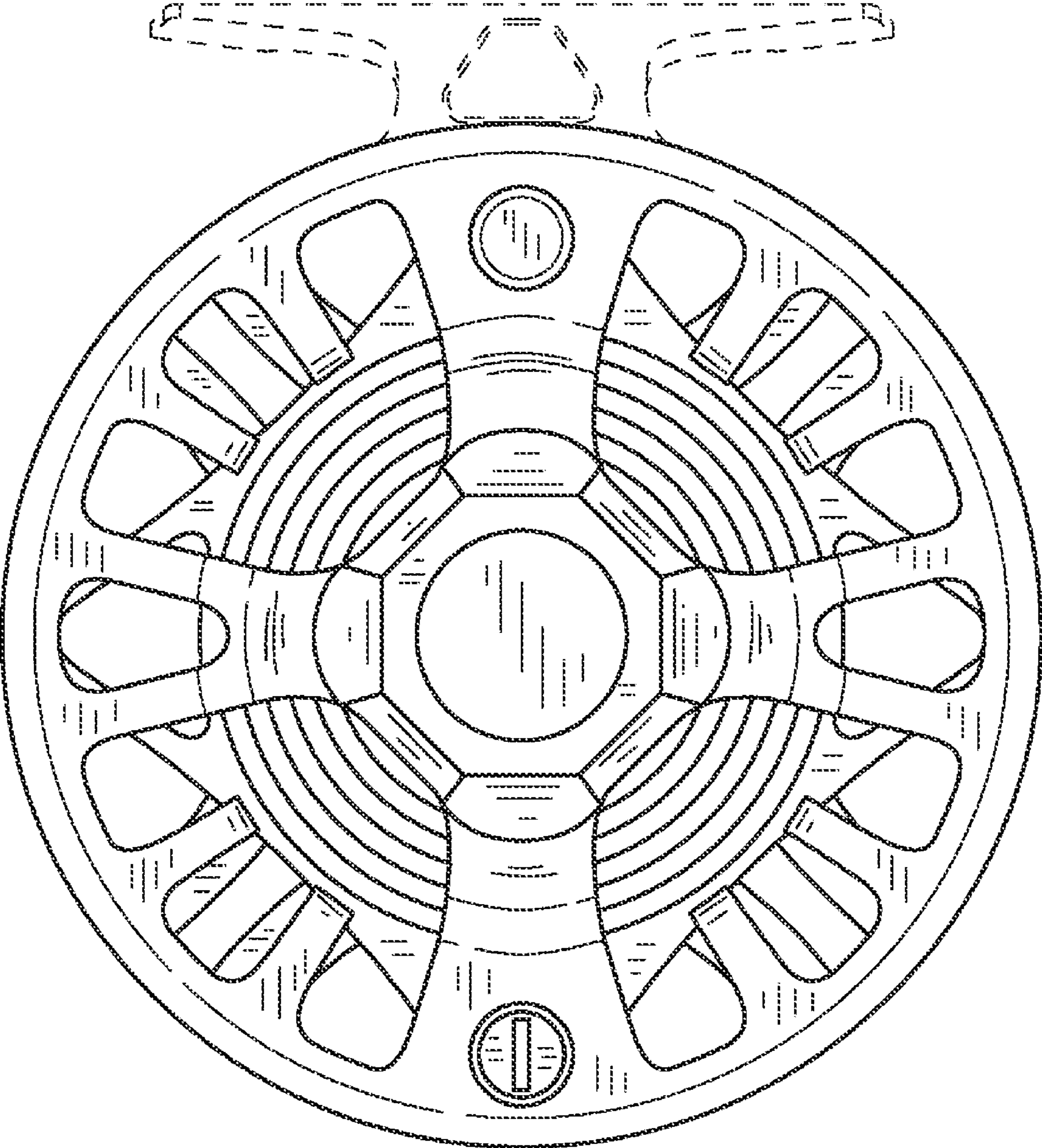


FIG. 4

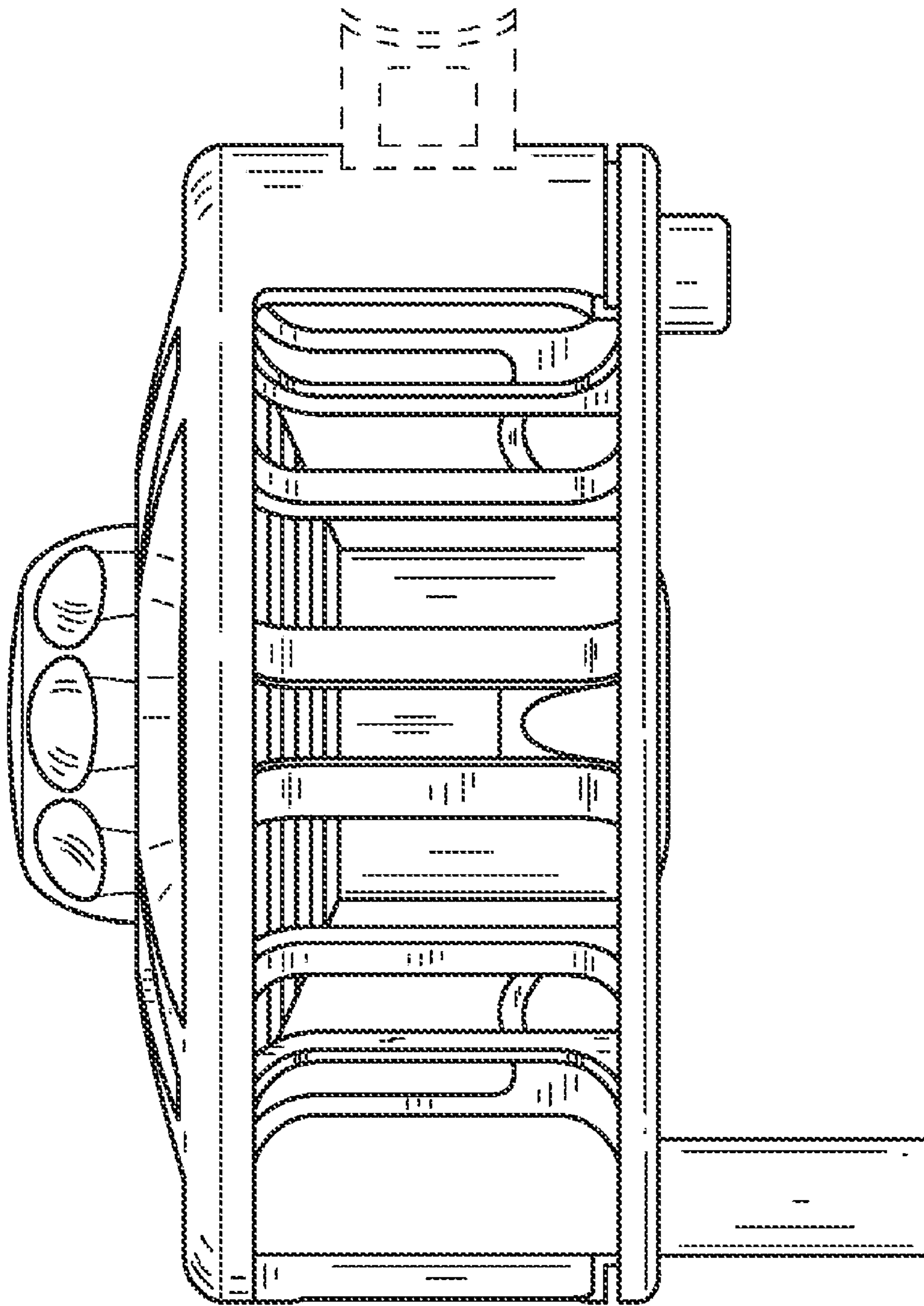


FIG. 5

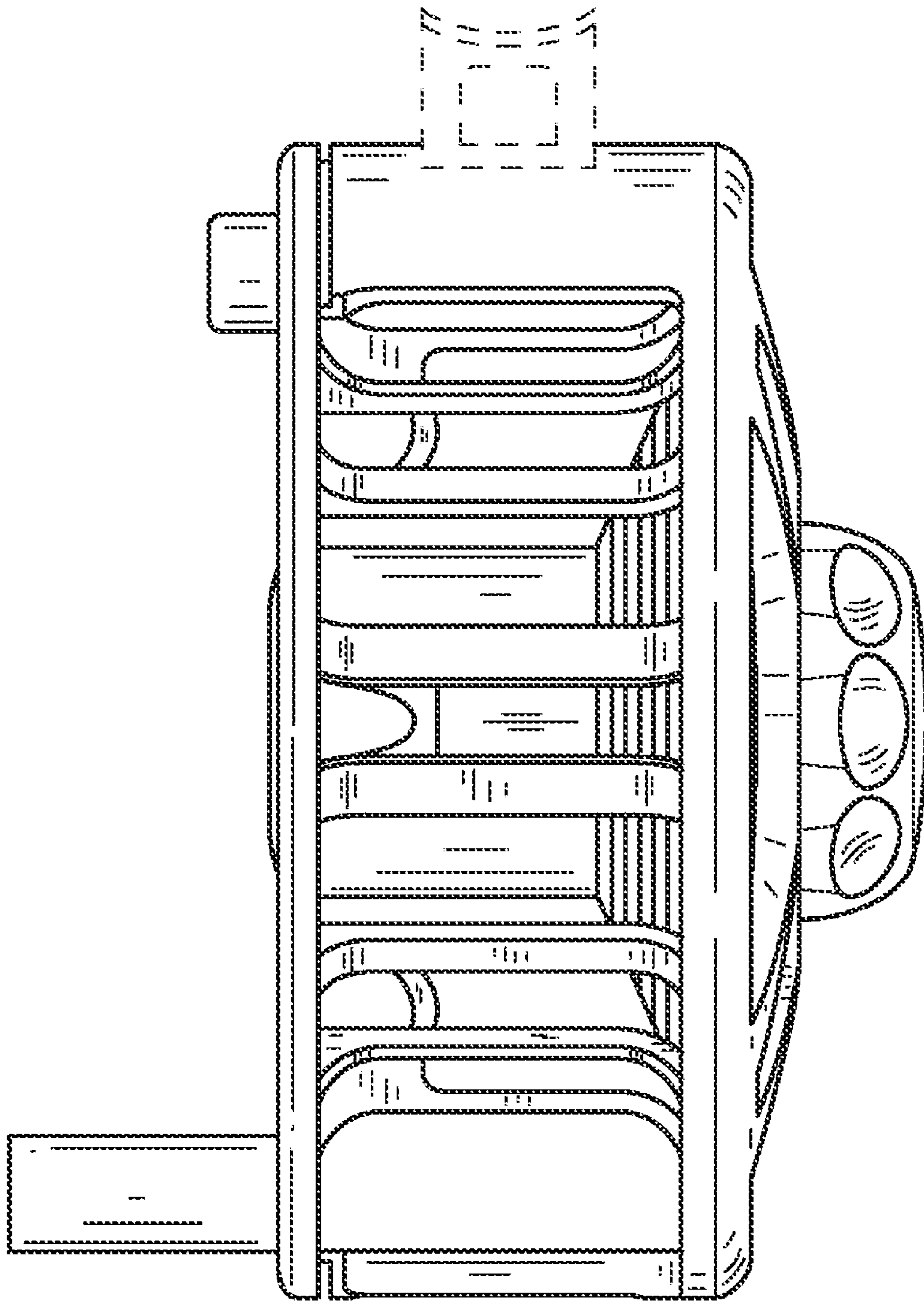


FIG. 6

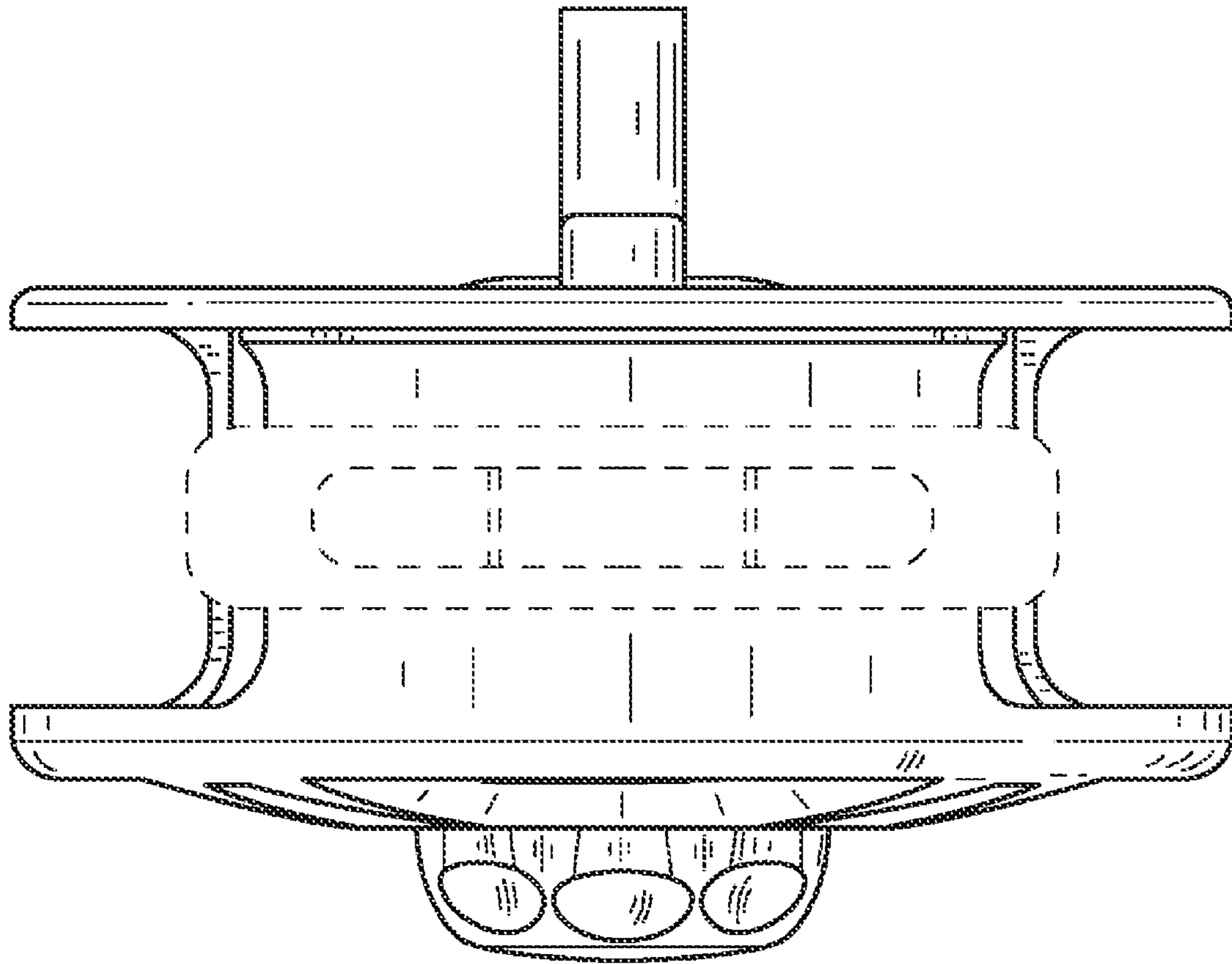


FIG. 7

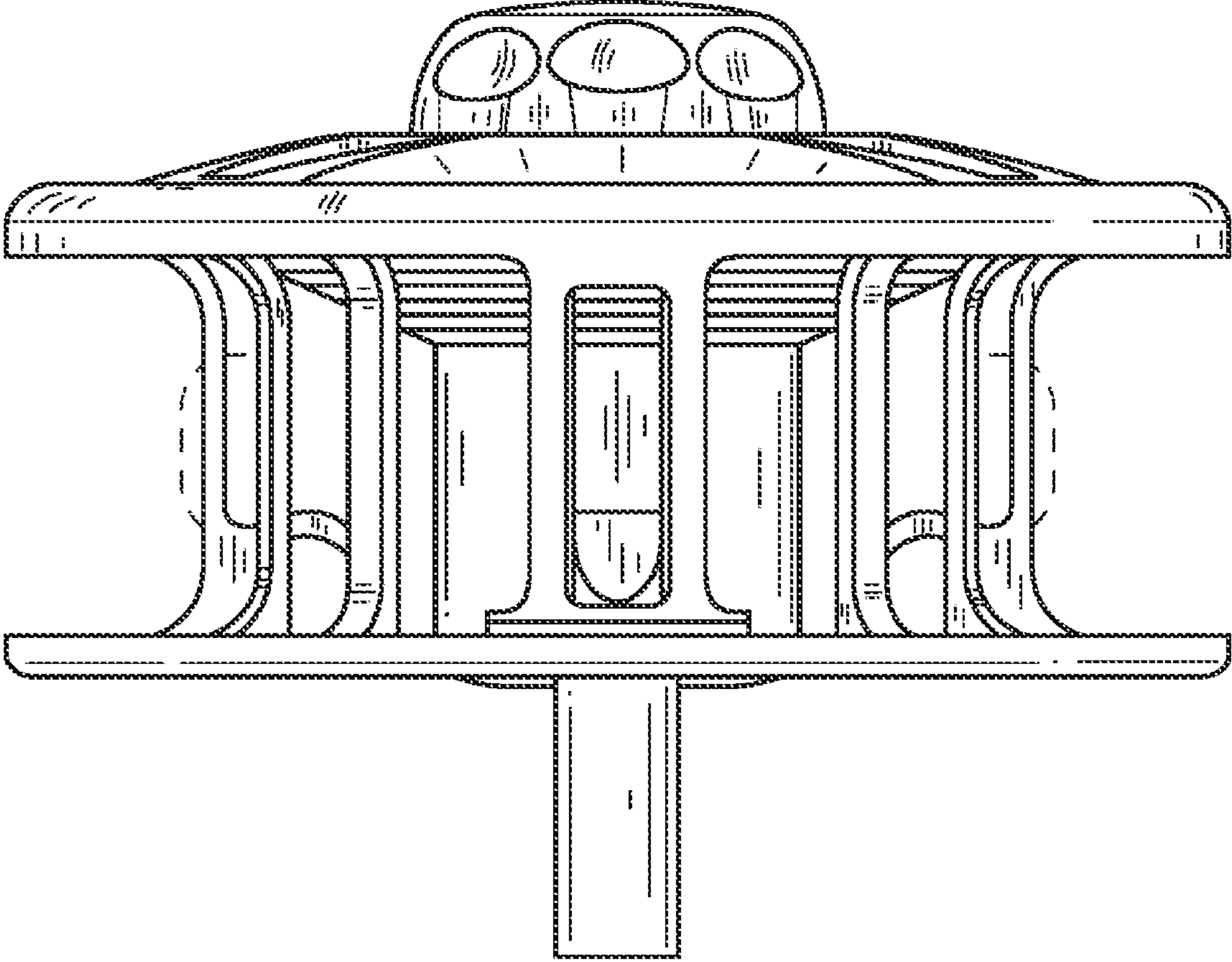


FIG. 8