



US00D638090S

(12) **United States Design Patent**
Hanchett

(10) **Patent No.:** **US D638,090 S**

(45) **Date of Patent:** **** *May 17, 2011**

(54) **PROJECTILE**

(75) Inventor: **Mark A. Hanchett**, Tempe, AZ (US)

(73) Assignee: **TASER International, Inc.**, Scottsdale, AZ (US)

(**) Term: **14 Years**

(21) Appl. No.: **29/330,236**

(22) Filed: **Dec. 31, 2008**

(51) **LOC (9) Cl.** **22-03**

(52) **U.S. Cl.** **D22/115**

(58) **Field of Classification Search** D22/115,
D22/116; 463/2; 102/501-510, 520; 86/19.5,
86/51-54; D1/100, 127-130, 199; D11/10-11,
D11/26-28, 40-43, 75, 89-93; D28/8.1;
D21/386; D24/100-101; 119/702, 707,
119/711

See application file for complete search history.

(56) **References Cited**

U.S. PATENT DOCUMENTS

2,014,367	A	3/1933	Breegle	
3,138,383	A	6/1964	McKinzie	
3,528,662	A	9/1970	Merchant	
3,650,213	A	3/1972	Abbott	
4,405,133	A	9/1983	Cartwright, Jr.	
4,411,398	A	10/1983	Wedertz	
4,714,020	A *	12/1987	Hertsgaard et al.	102/351
5,009,164	A	4/1991	Grinberg	
5,698,815	A	12/1997	Ragner	
5,831,199	A	11/1998	McNulty, Jr.	
5,936,190	A	8/1999	Buzick	
5,962,806	A	10/1999	Coakley	
D441,009	S *	4/2001	Hayashi	D18/15
6,378,439	B1	4/2002	Saxby	
6,588,700	B2 *	7/2003	Moore et al.	244/3.28
6,640,722	B2	11/2003	Stogermuller	

6,862,994	B2	3/2005	Chang	
6,880,466	B2	4/2005	Carman	
6,959,893	B1	11/2005	Sadowski	
6,967,614	B1	11/2005	Wardell	
7,042,696	B2	5/2006	Smith	
7,234,399	B2	6/2007	Rastegar	
7,354,017	B2 *	4/2008	Morris et al.	244/3.23
7,600,421	B1	10/2009	Hollis	
2002/0088367	A1	7/2002	MacAleese et al.	
2002/0190155	A1	12/2002	Lipeles et al.	
2003/0106415	A1	6/2003	Smith	
2006/0254108	A1	11/2006	Park	
2006/0276277	A1 *	12/2006	Montefusco	473/586
2007/0101893	A1	5/2007	Shalev	
2009/0013893	A1	1/2009	Vasel	
2010/0000438	A1	1/2010	Dryer	
2010/0101445	A1	4/2010	Garg	

* cited by examiner

Primary Examiner — T. Chase Nelson

Assistant Examiner — Michael A Pratt

(74) *Attorney, Agent, or Firm* — William R. Bachand;
Lawrence Letham

(57) **CLAIM**

The ornamental design for a projectile, as shown and described.

DESCRIPTION

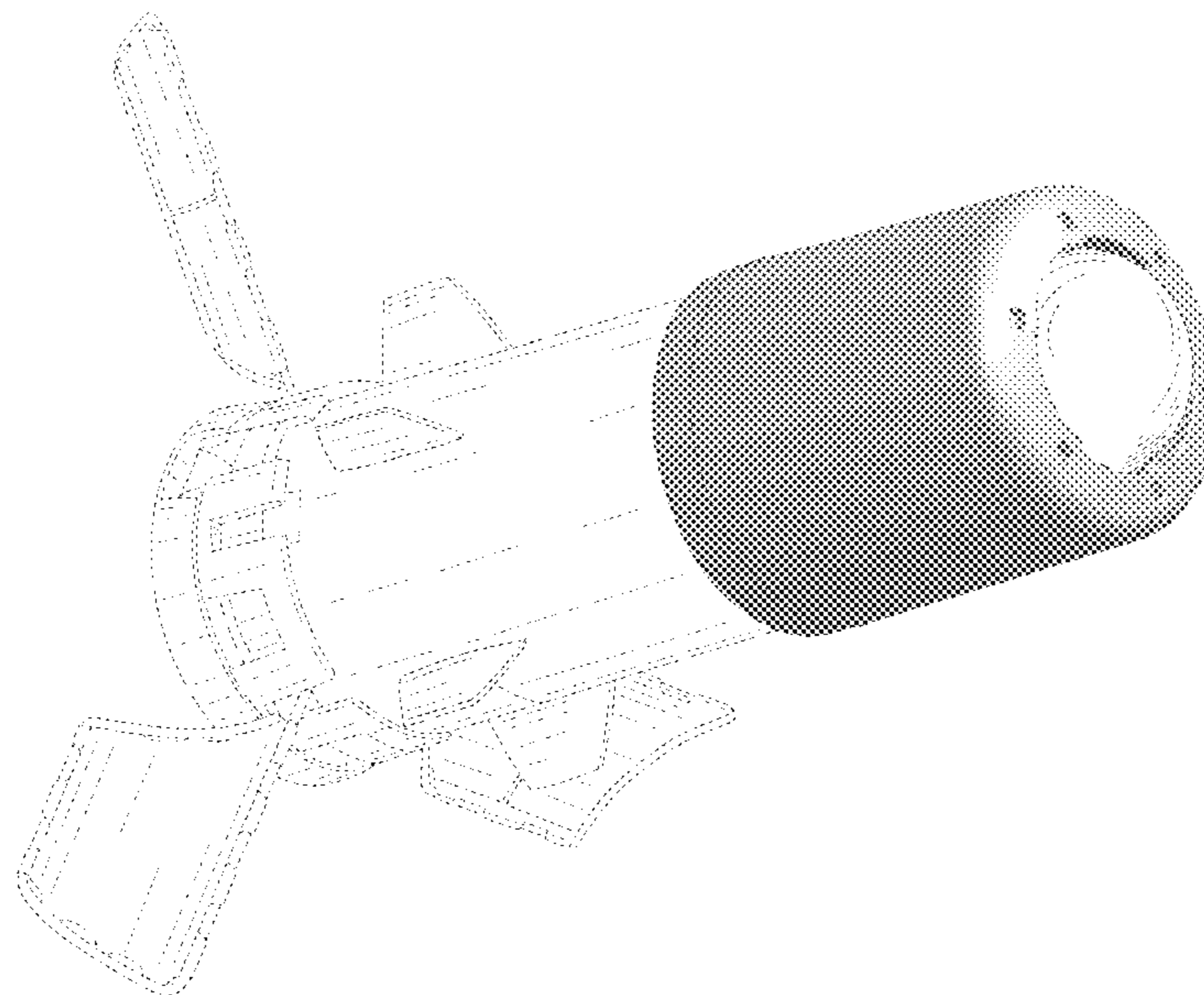
FIG. 1 is a perspective view of the projectile having identical features arranged about an axis of cylindrical symmetry and having three fins curved on the same radius as the mid-section of the projectile onto which they fold for packaging inside a shotgun shell;

FIG. 2 is a side view of the projectile of FIG. 1; and

FIG. 3 is a front view the projectile of FIG. 1.

The portions of the projectile shown in broken lines form no part of the claimed design. Gray scale shading indicates claimed curvature. Color is not claimed.

1 Claim, 3 Drawing Sheets



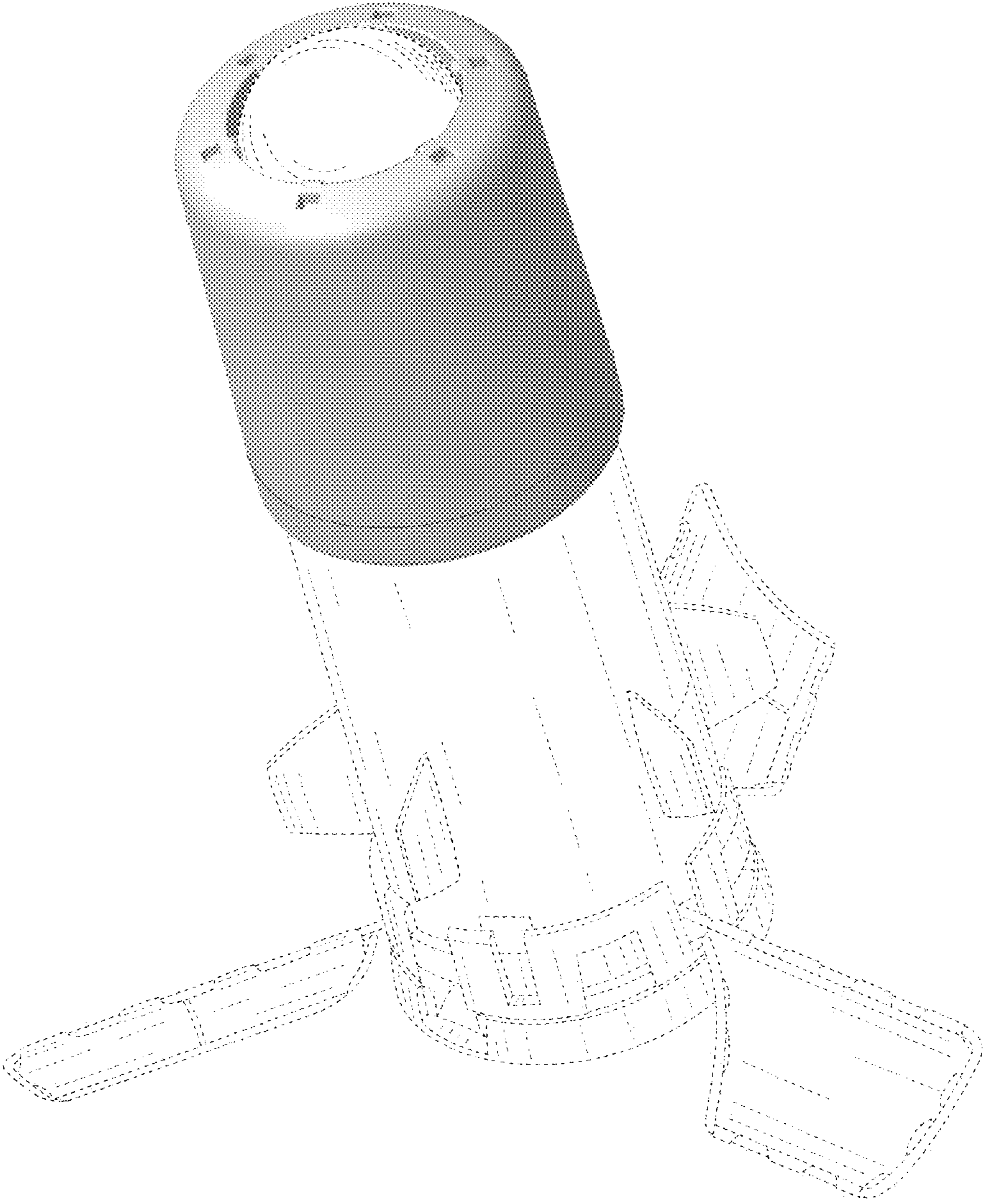


FIG. 1

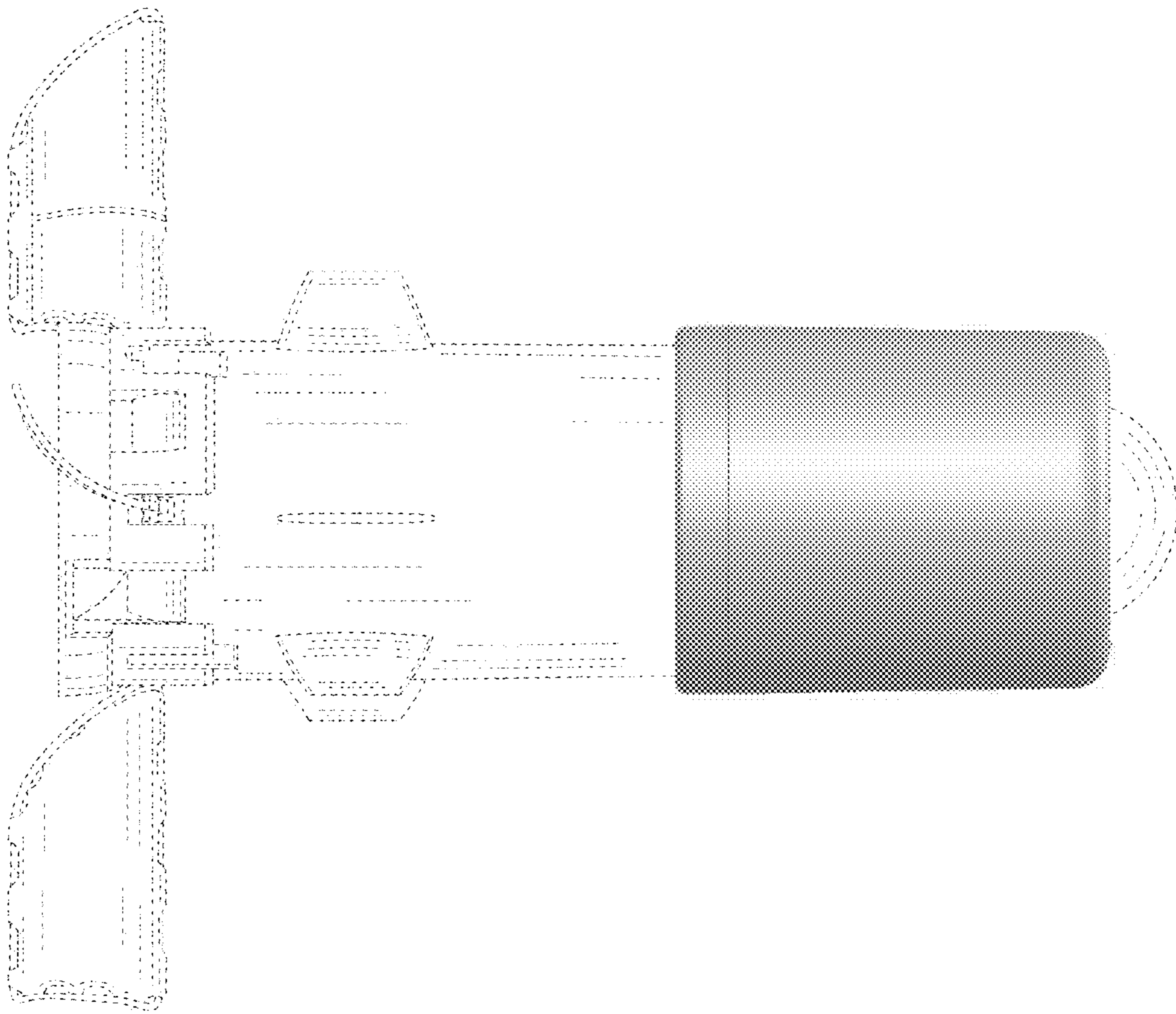


FIG. 2

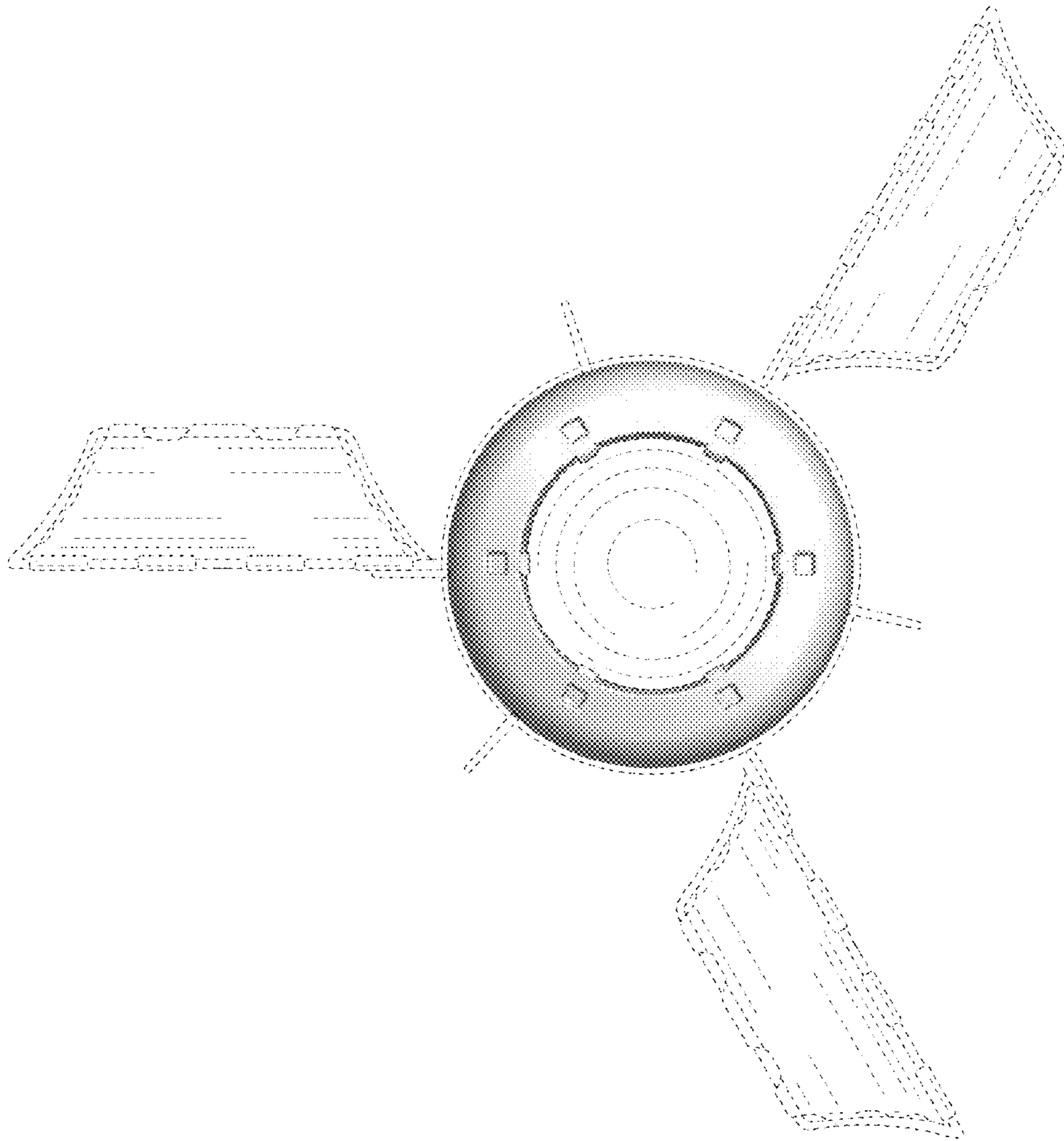


FIG. 3

UNITED STATES PATENT AND TRADEMARK OFFICE
CERTIFICATE OF CORRECTION

PATENT NO. : D638,090 S
APPLICATION NO. : 29/330236
DATED : May 17, 2011
INVENTOR(S) : Mark A. Hanchett

Page 1 of 1

It is certified that error appears in the above-identified patent and that said Letters Patent is hereby corrected as shown below:

On the Face Page, in column 2, under "DESCRIPTION", in line 7, after "front view" insert -- of --.

Signed and Sealed this
Twenty-second Day of November, 2011

A handwritten signature in black ink that reads "David J. Kappos". The signature is written in a cursive style with a large initial 'D' and 'K'.

David J. Kappos
Director of the United States Patent and Trademark Office