



US00D638089S

(12) **United States Design Patent**
Ding

(10) **Patent No.:** **US D638,089 S**

(45) **Date of Patent:** **** May 17, 2011**

(54) **QUICK DISCONNECT APPARATUS**

(75) Inventor: **Tai-Lai Ding**, Northville, MI (US)

(73) Assignee: **Leapers, Inc.**, Livonia, MI (US)

(**) Term: **14 Years**

(21) Appl. No.: **29/359,328**

(22) Filed: **Apr. 8, 2010**

(51) **LOC (9) Cl.** **22-01**

(52) **U.S. Cl.** **D22/109**

(58) **Field of Classification Search** D22/108-110,
D22/199; D16/132, 130, 133, 330, 134;
359/399, 823, 744; 42/111, 133, 119, 122
See application file for complete search history.

(56) **References Cited**

U.S. PATENT DOCUMENTS

D226,430	S	*	3/1973	Johannsen	D22/110
D232,633	S	*	9/1974	Weast	D22/109
D249,538	S	*	9/1978	Weast	D22/110
4,216,600	A	*	8/1980	Brueckner et al.	42/127
D364,668	S	*	11/1995	Keng	D22/110
D383,826	S	*	9/1997	Weigand	D22/110
D391,335	S	*	2/1998	Bechtel	D22/110
D403,393	S	*	12/1998	Weast	D22/110
D508,726	S	*	8/2005	Storch	D22/108
2008/0134559	A1	*	6/2008	Swan	42/90
2009/0052024	A1	*	2/2009	Sauter et al.	359/426
2010/0122485	A1	*	5/2010	Kincel	42/146
2010/0162611	A1	*	7/2010	Samson et al.	42/125

* cited by examiner

Primary Examiner — T. Chase Nelson

Assistant Examiner — Michael A Pratt

(74) *Attorney, Agent, or Firm* — Honigman Miller Schwartz
and Cohn LLP

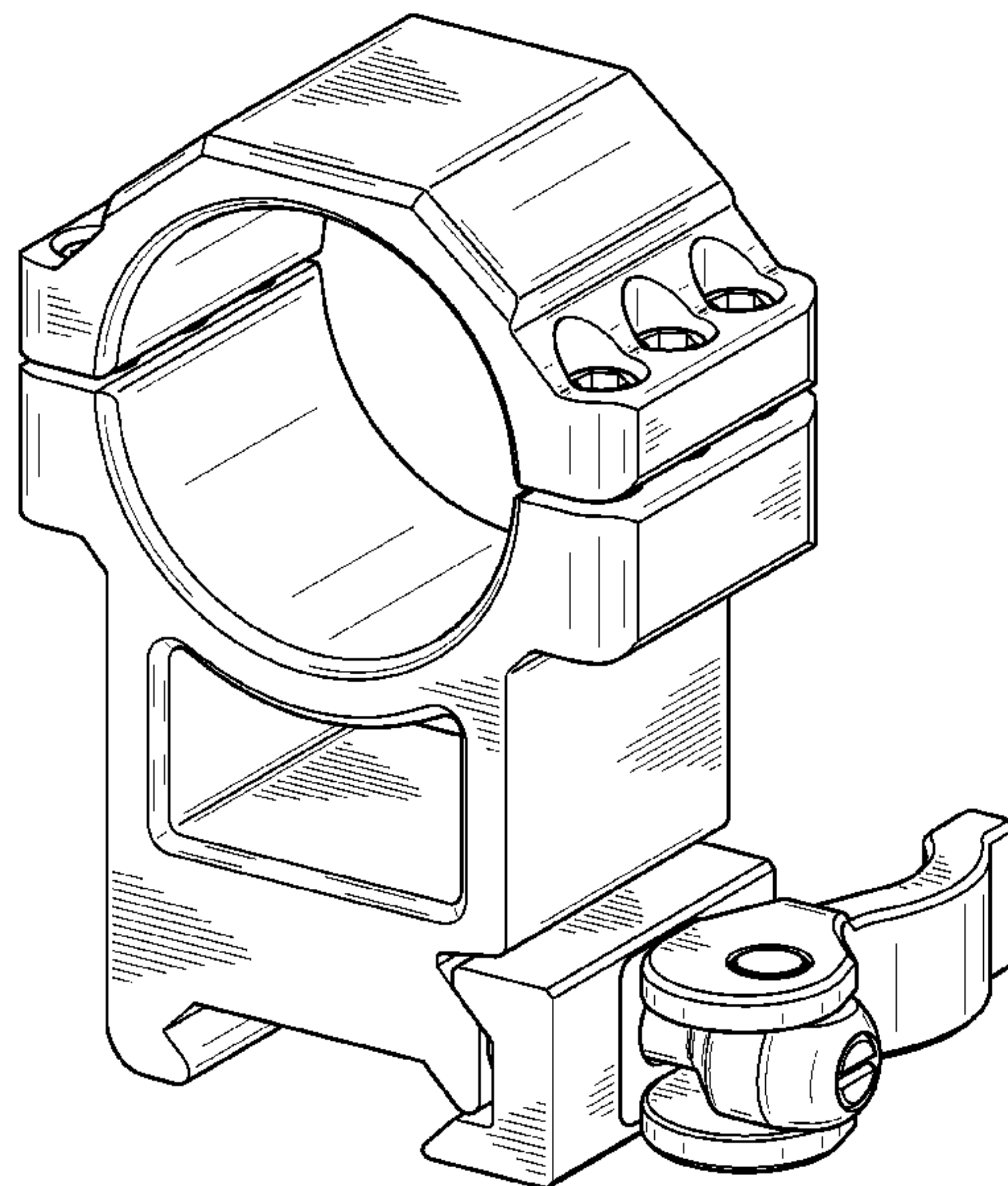
(57) **CLAIM**

The ornamental design for quick disconnect apparatus, as shown and described.

DESCRIPTION

FIG. 1 is an isometric view of a first embodiment of the quick disconnect apparatus of the present invention;
 FIG. 2 is a front elevational view of the quick disconnect apparatus of FIG. 1;
 FIG. 3 is a back elevational view of the quick disconnect apparatus of FIG. 1;
 FIG. 4 is a left side elevational view of the quick disconnect apparatus of FIG. 1;
 FIG. 5 is a right side elevational view of the quick disconnect apparatus of FIG. 1;
 FIG. 6 is a top view of the quick disconnect apparatus of FIG. 1;
 FIG. 7 is a bottom view of the quick disconnect apparatus of FIG. 1;
 FIG. 8 is an isometric view of a second embodiment of the quick disconnect apparatus of the present invention;
 FIG. 9 is a front elevational view of the quick disconnect apparatus of FIG. 8;
 FIG. 10 is a back elevational view of the quick disconnect apparatus of FIG. 8;
 FIG. 11 is a left side elevational view of the quick disconnect apparatus of FIG. 8;
 FIG. 12 is a right side elevational view of the quick disconnect apparatus of FIG. 8;
 FIG. 13 is a top view of the quick disconnect apparatus of FIG. 8; and,
 FIG. 14 is a bottom view of the quick disconnect apparatus of FIG. 8.

1 Claim, 12 Drawing Sheets



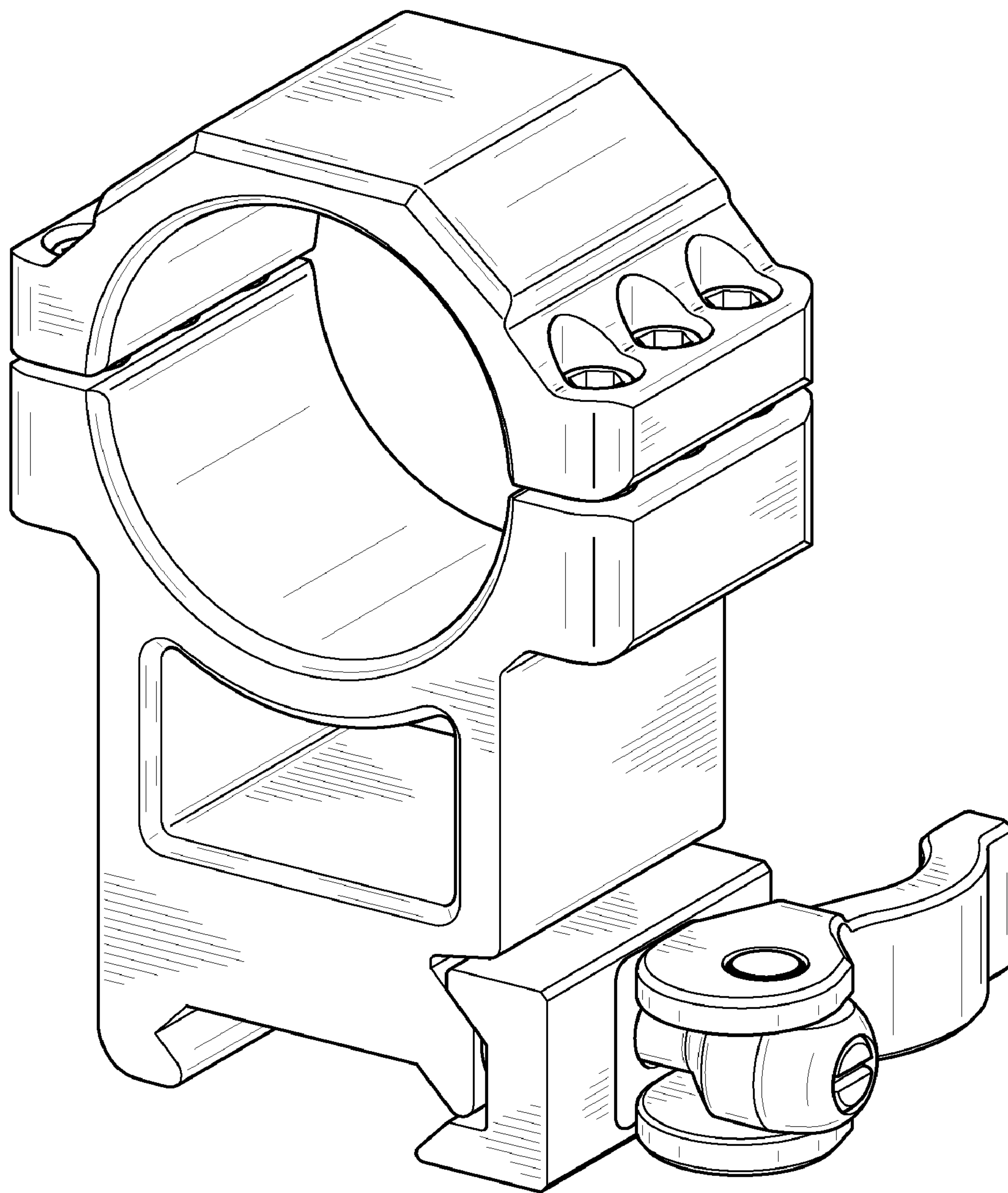


FIG. 1

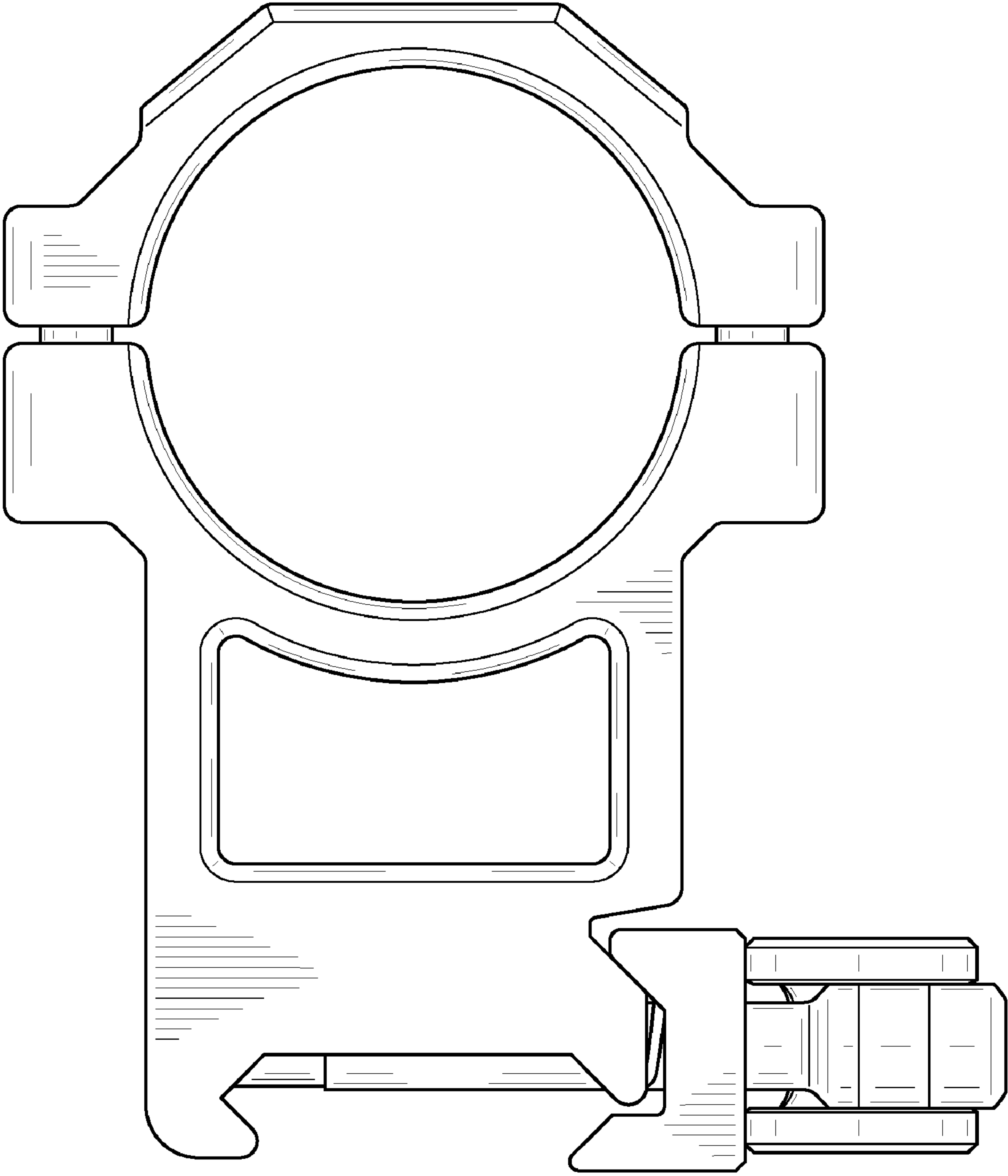


FIG. 2

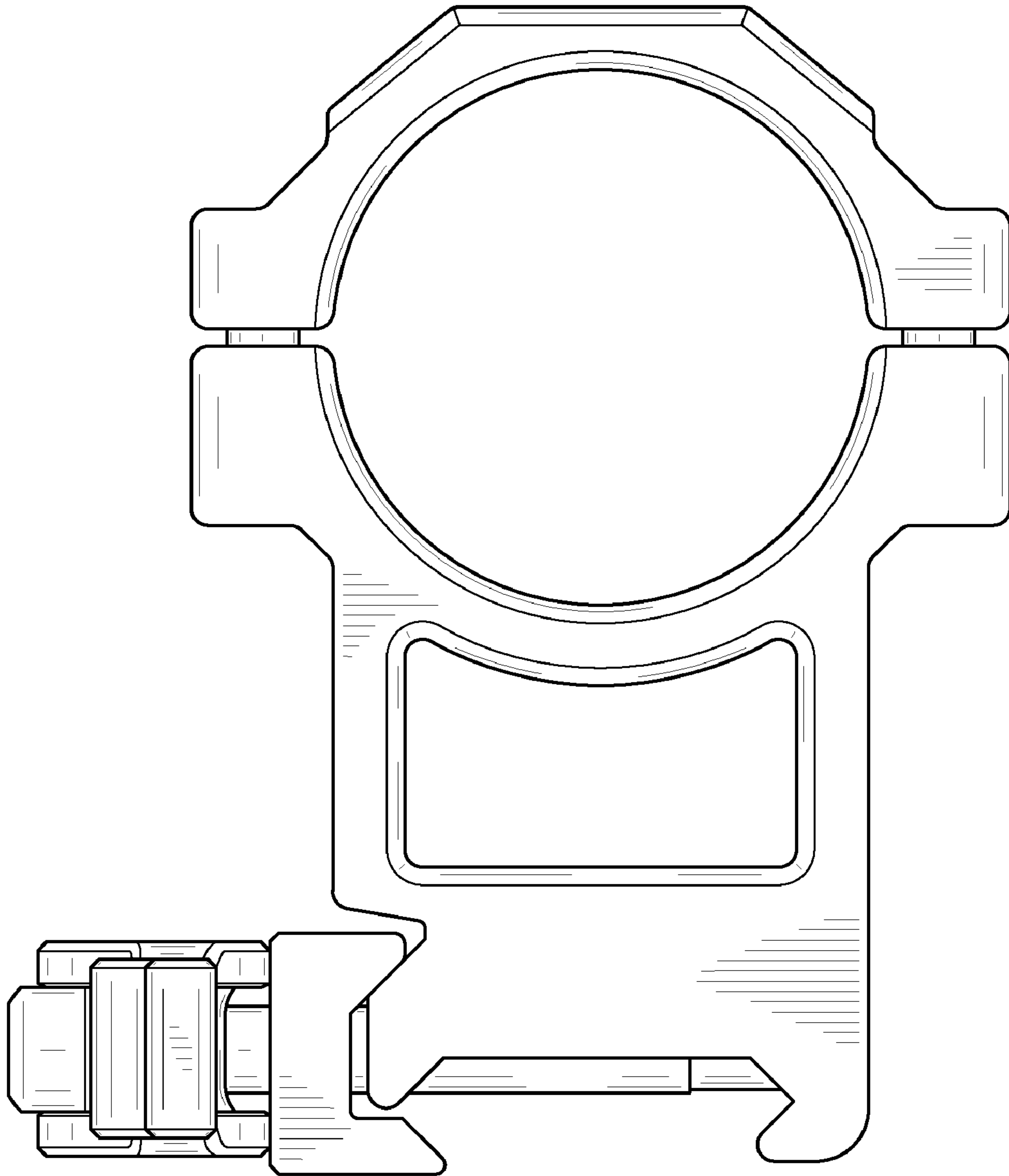


FIG. 3

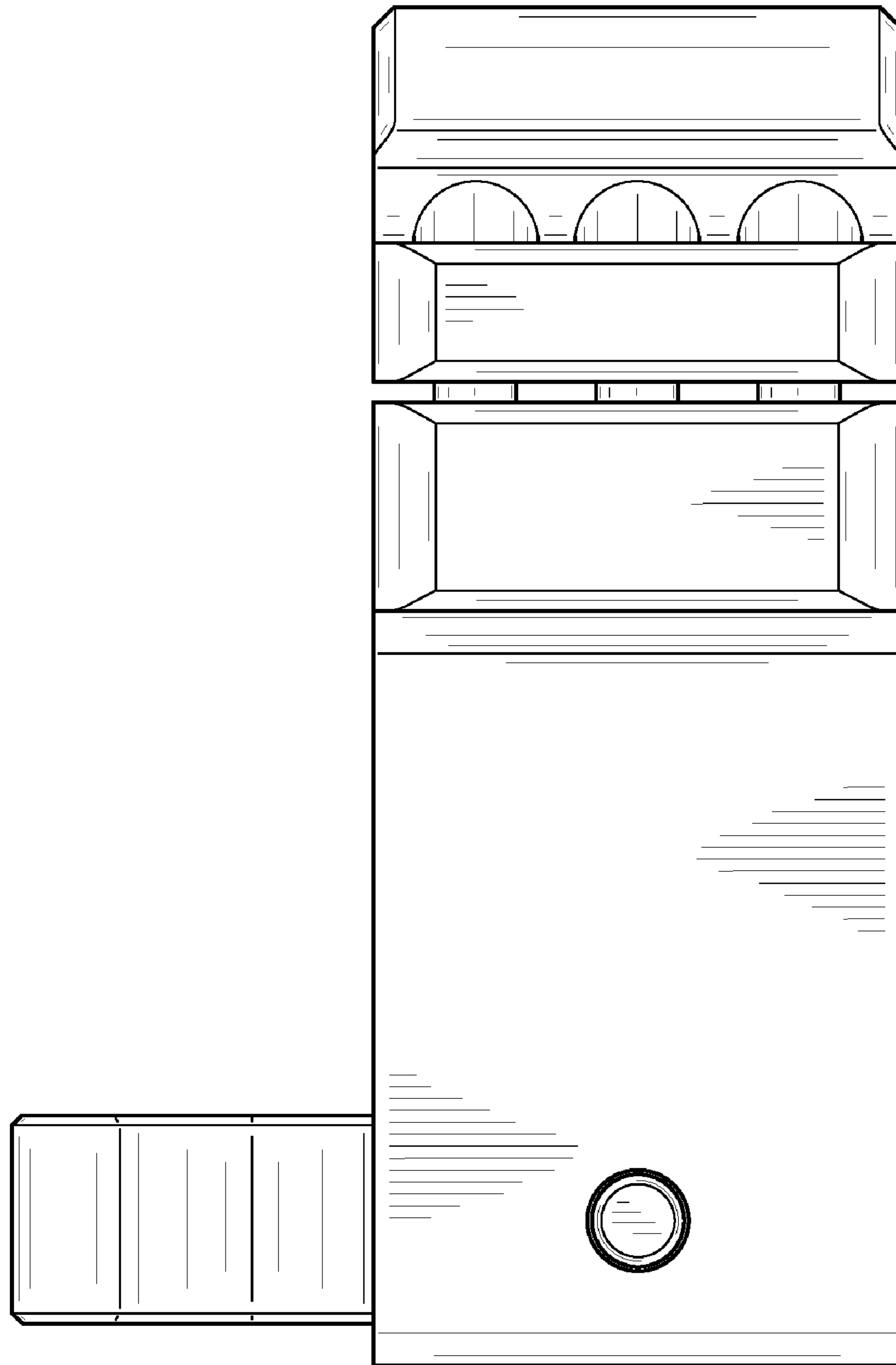


FIG. 4

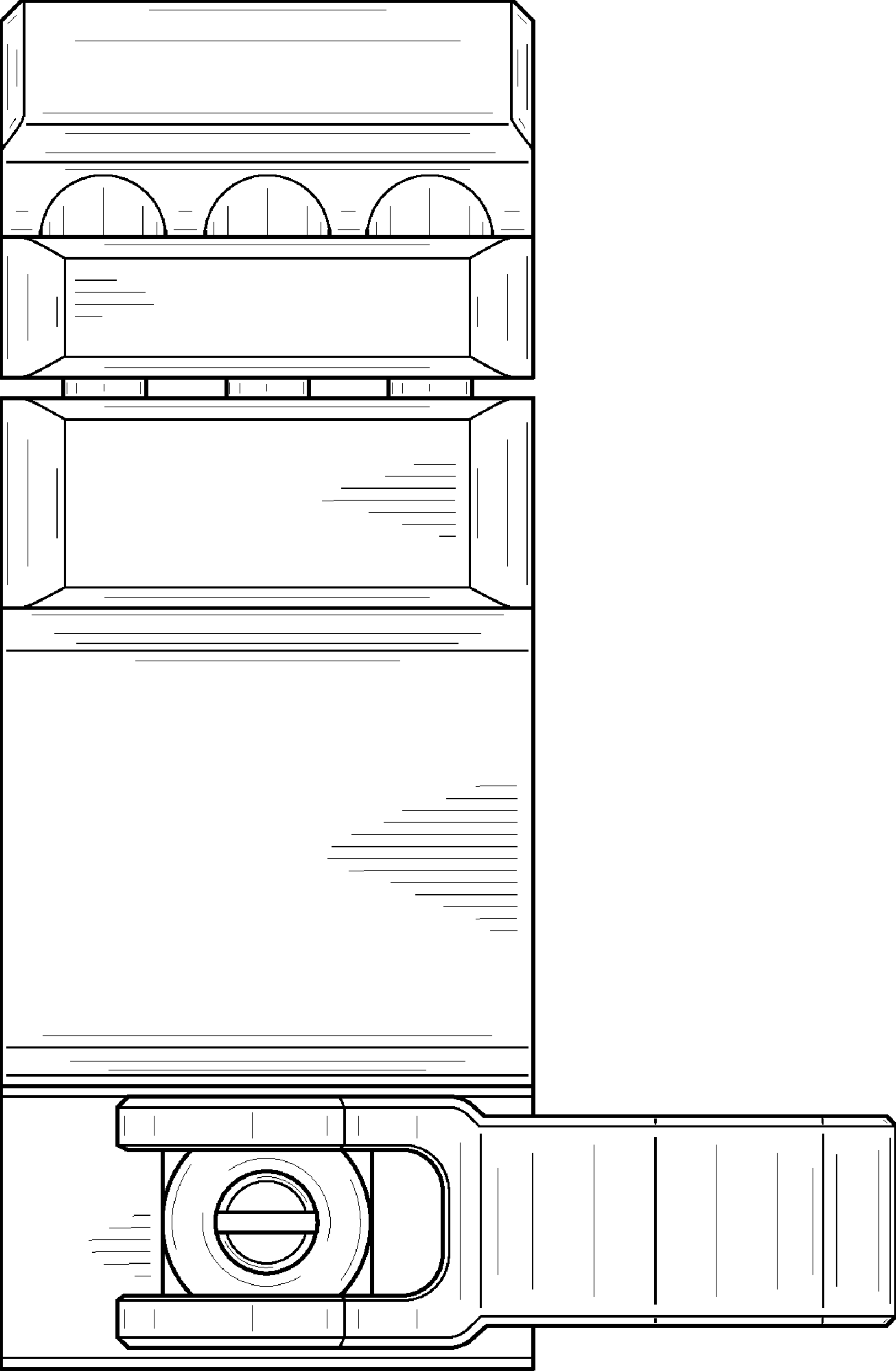


FIG. 5

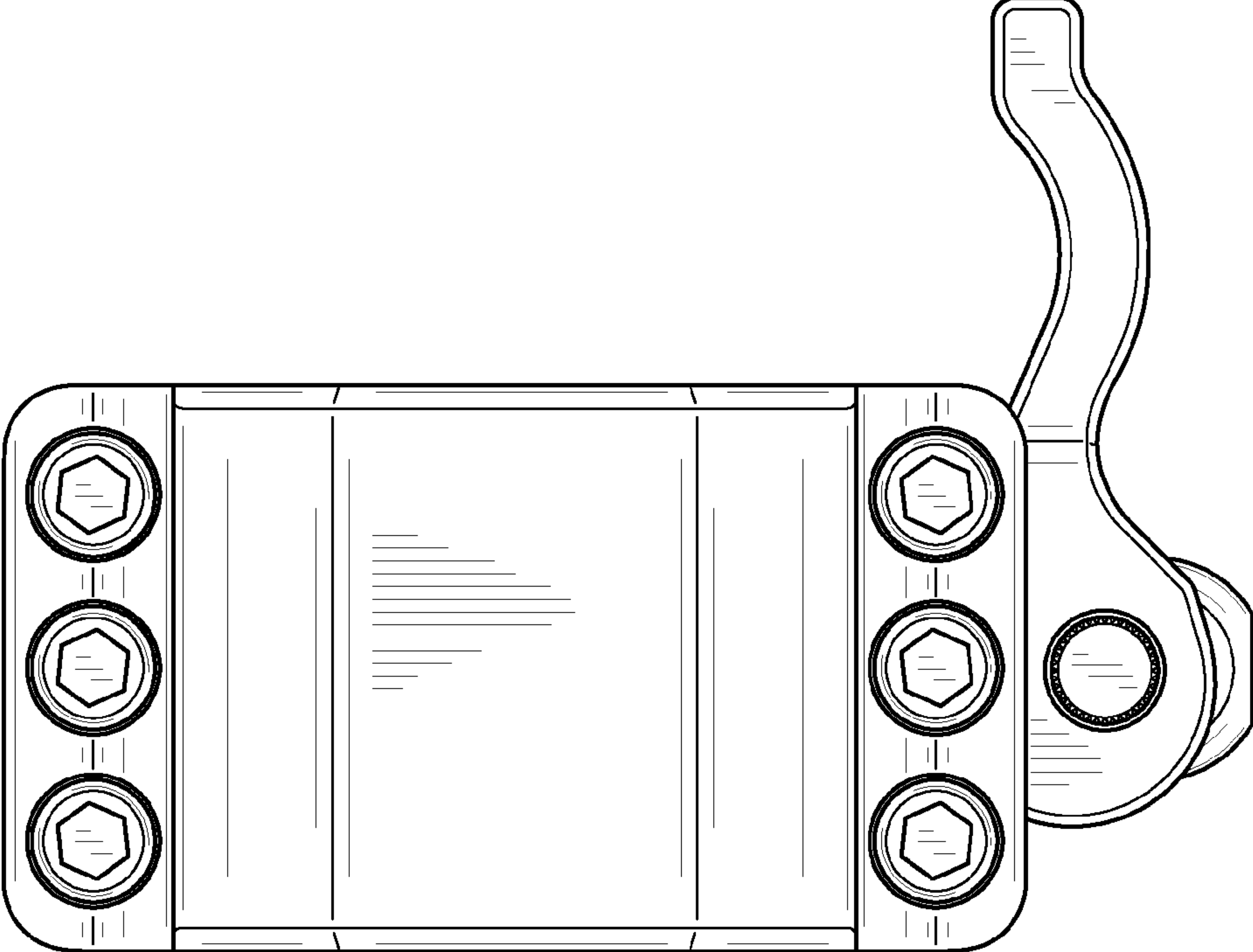


FIG. 6

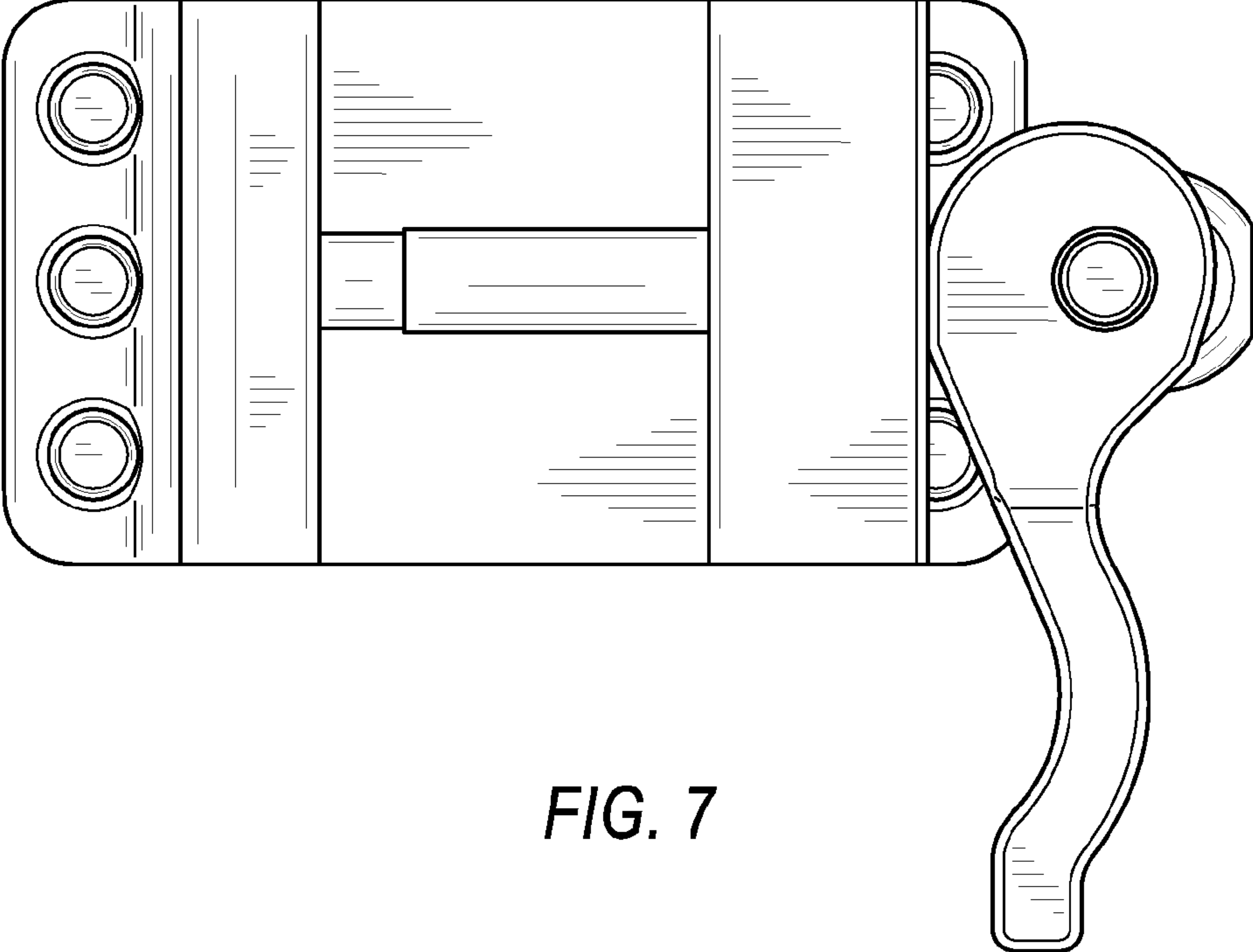


FIG. 7

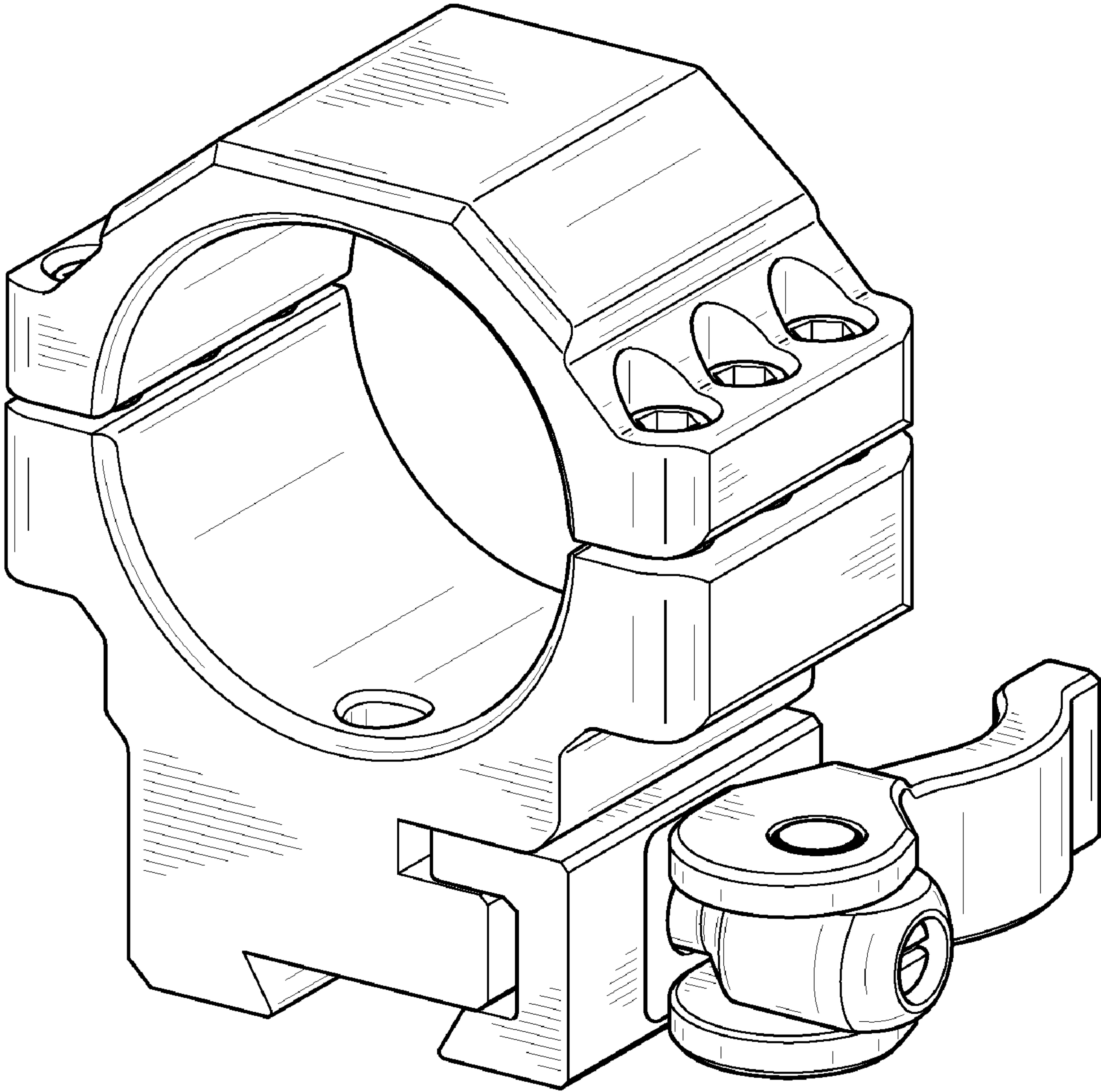


FIG. 8

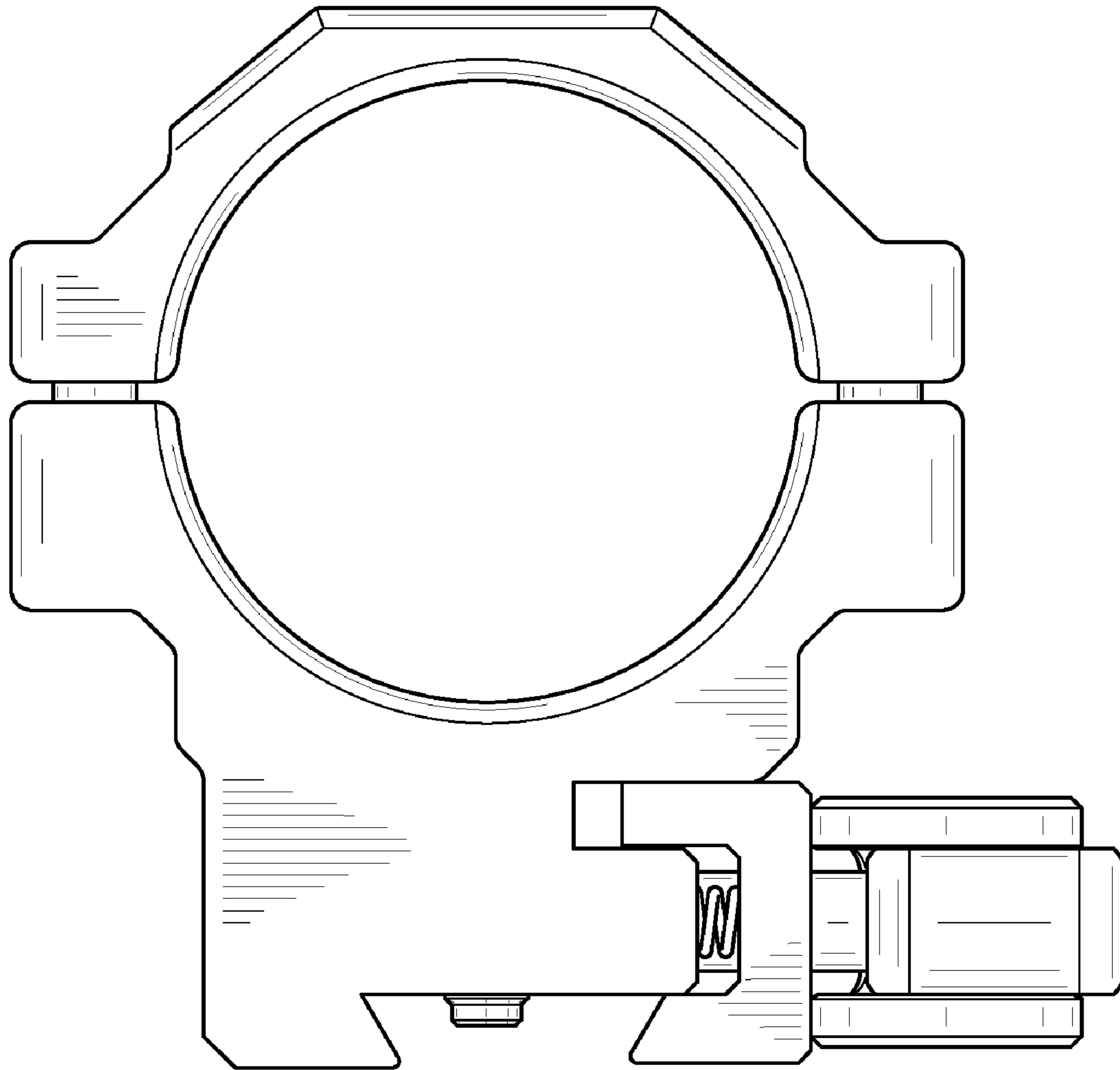


FIG. 9

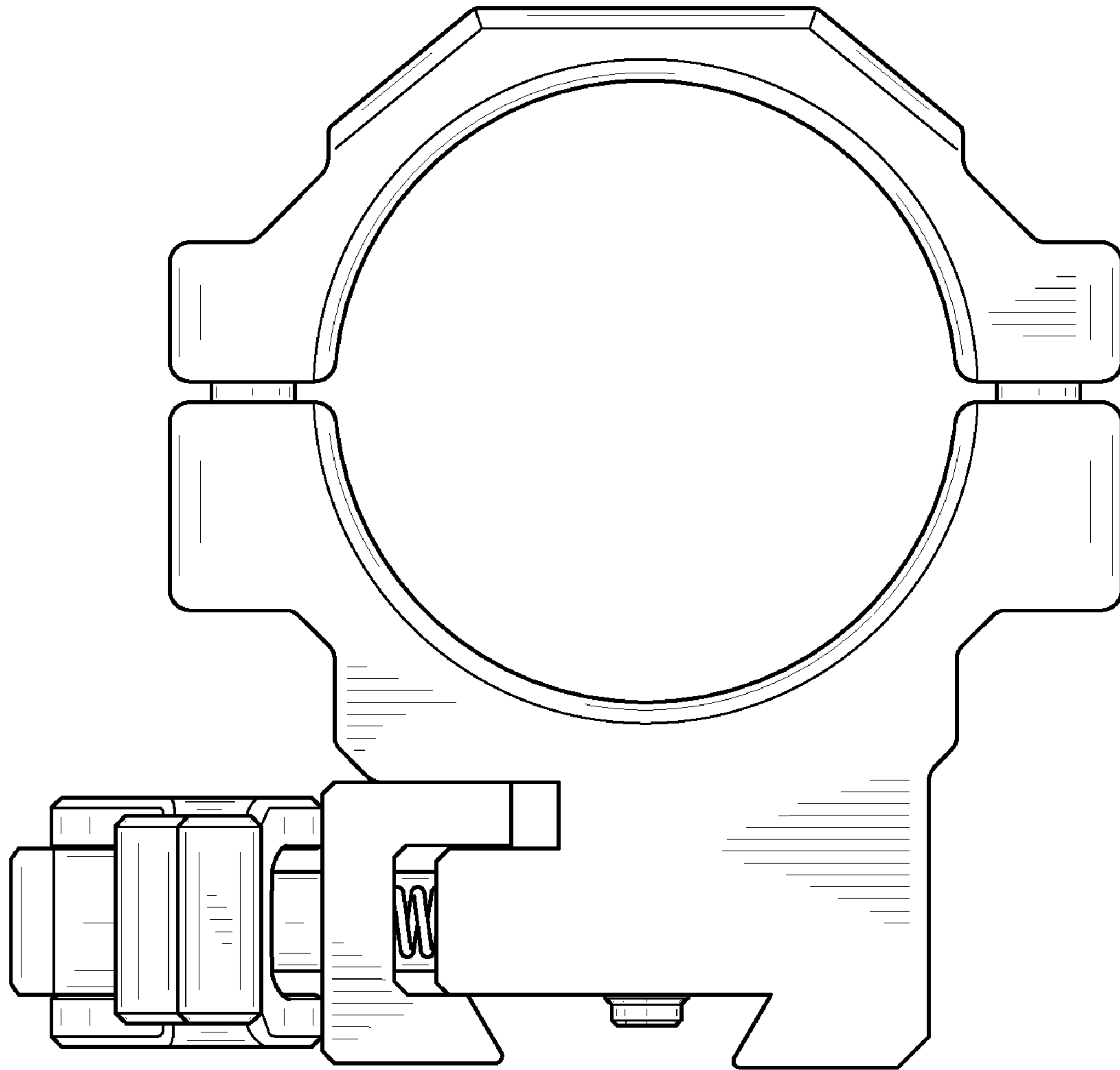


FIG. 10

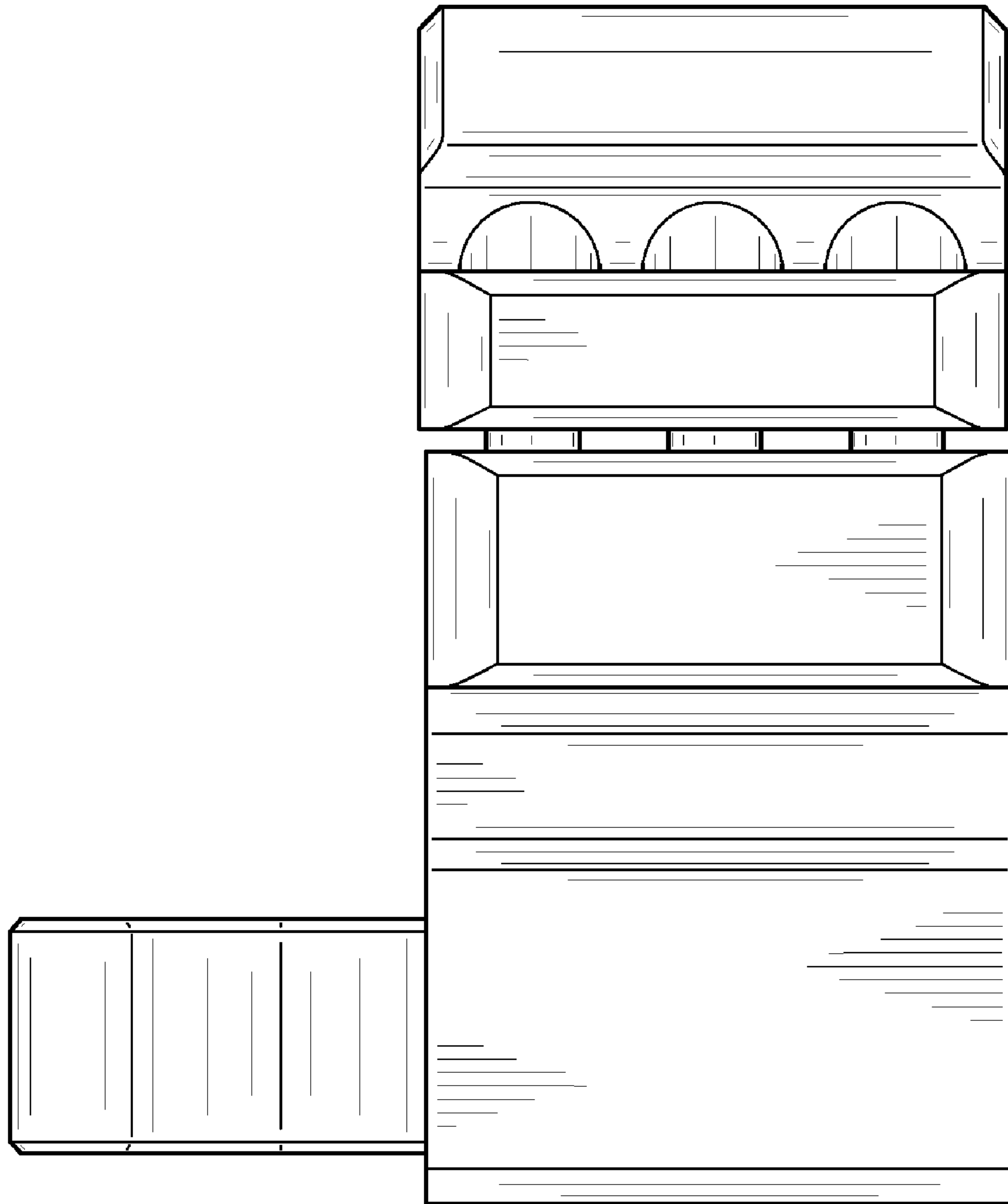


FIG. 11

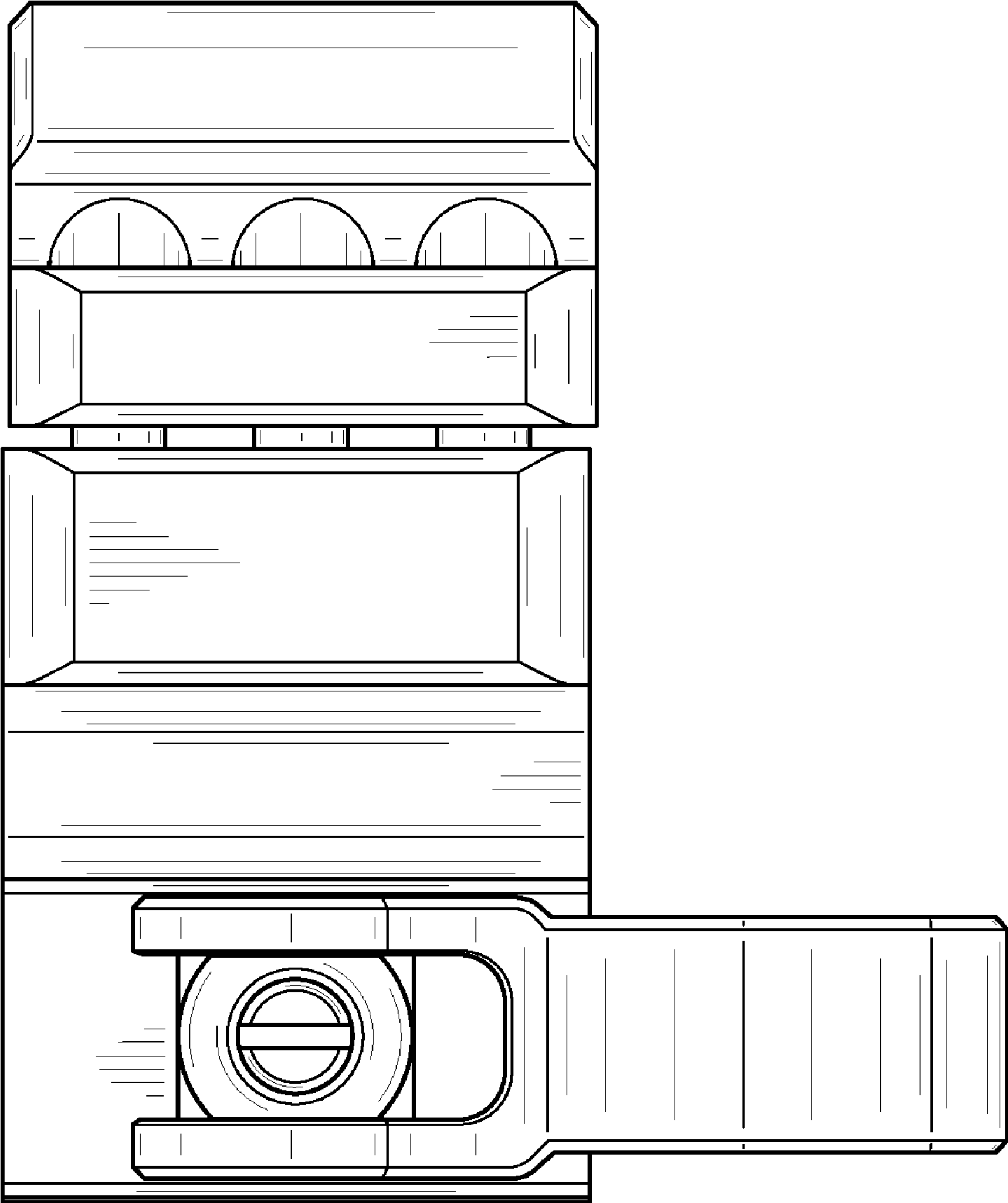


FIG. 12

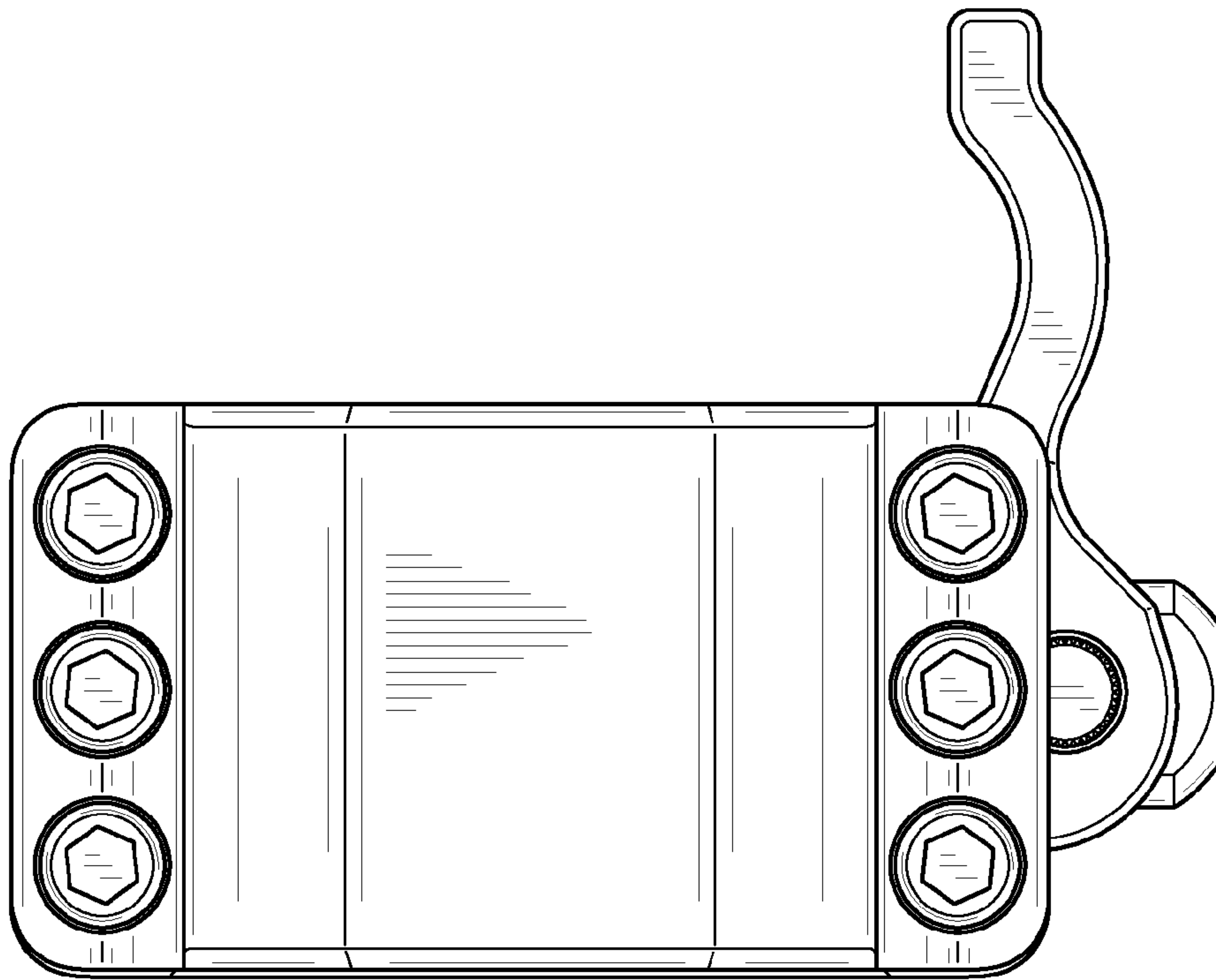


FIG. 13

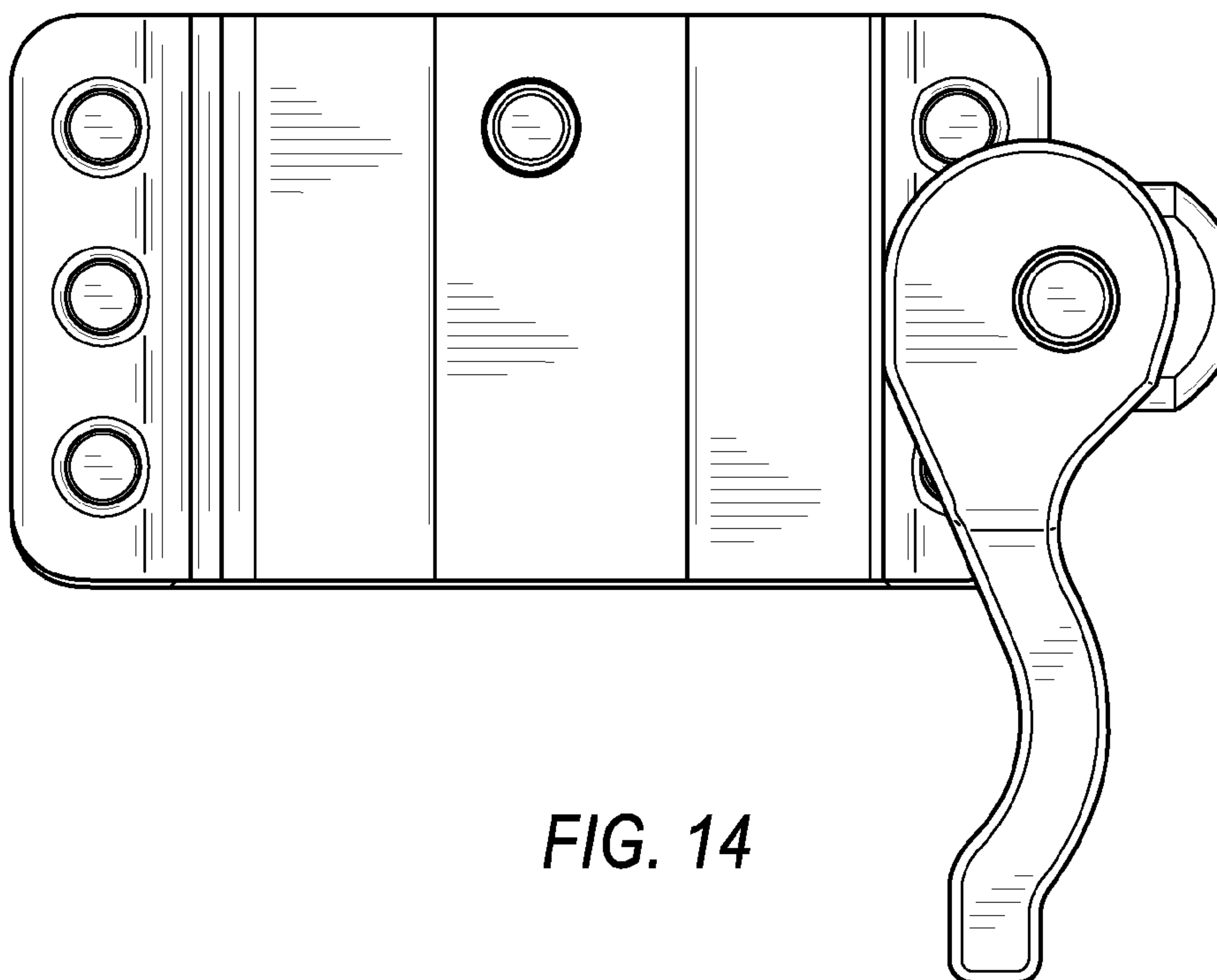


FIG. 14