



US00D638087S

(12) **United States Design Patent**
Schull

(10) **Patent No.:** **US D638,087 S**

(45) **Date of Patent:** **** May 17, 2011**

(54) **FIREARM STAND FOR A RECEIVER HITCH**

(76) Inventor: **Mike Schull**, Delta, CO (US)

(**) Term: **14 Years**

(21) Appl. No.: **29/353,481**

(22) Filed: **Jan. 8, 2010**

(51) **LOC (9) Cl.** **22-01**

(52) **U.S. Cl.** **D22/108; D22/199; D12/162**

(58) **Field of Classification Search** D22/100,
D22/108, 109, 110, 114; D6/552; 89/40.03,
89/40.01, 37.04; 42/94, 114, 111; 224/571,
224/551, 442, 413, 311; 211/64; 102/430
See application file for complete search history.

(56) **References Cited**

U.S. PATENT DOCUMENTS

4,266,748	A *	5/1981	Dalton	248/425
5,913,668	A *	6/1999	Messer	42/94
6,305,117	B1 *	10/2001	Hales, Sr.	42/94
7,584,690	B2 *	9/2009	Cauley	89/37.04

7,730,824	B1 *	6/2010	Black	89/37.03
7,823,317	B2 *	11/2010	Potterfield et al.	42/94
2003/0205599	A1 *	11/2003	Brown	224/401

* cited by examiner

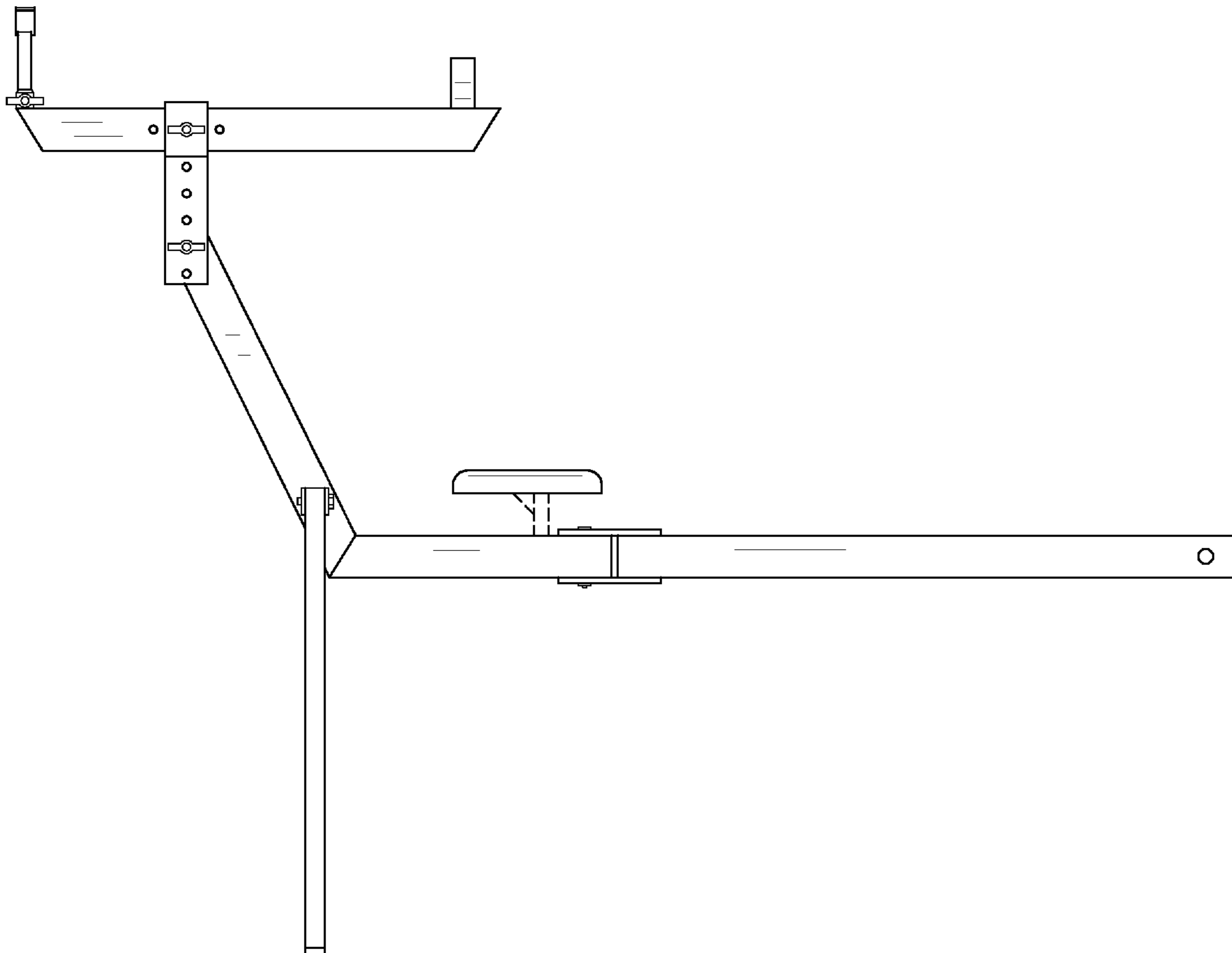
Primary Examiner — T. Chase Nelson
Assistant Examiner — Michael Pratt
(74) *Attorney, Agent, or Firm* — Crossley Patent Law; Mark A. Crossley

(57) **CLAIM**
The ornamental design for a firearm stand for a receiver hitch, as shown and described.

DESCRIPTION

FIG. 1 is a right elevation view of a firearm stand for a receiver hitch showing our new design;
FIG. 2 is a left elevation view thereof;
FIG. 3 is a front elevation view thereof;
FIG. 4 is a rear plan view thereof;
FIG. 5 is a top plan view thereof;
FIG. 6 is a bottom plan view thereof; and,
FIG. 7 is an isometric view thereof.
The portion of the firearm stand for a receiver hitch shown in broken lines form no part of the claimed design.

1 Claim, 5 Drawing Sheets



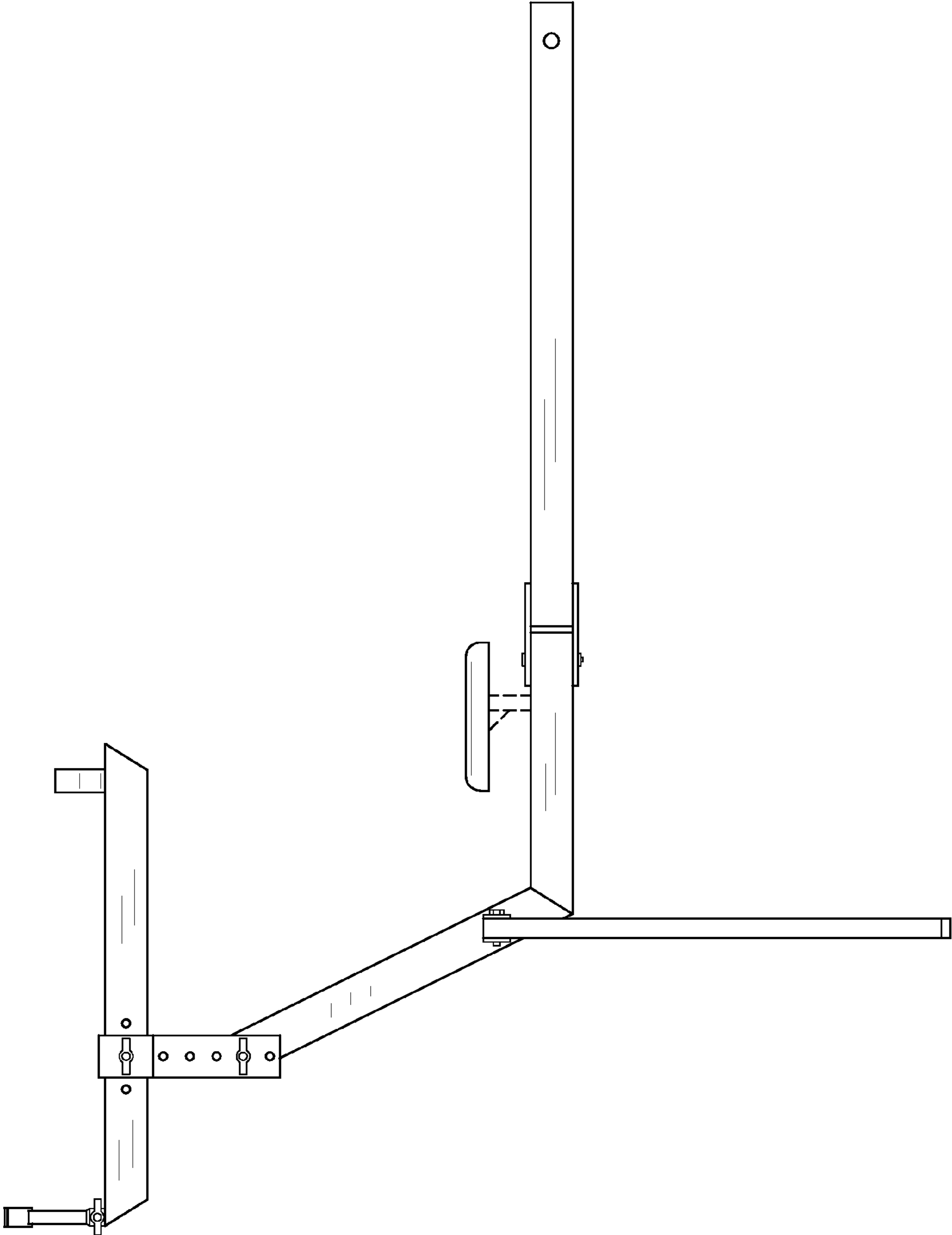


FIG. 1

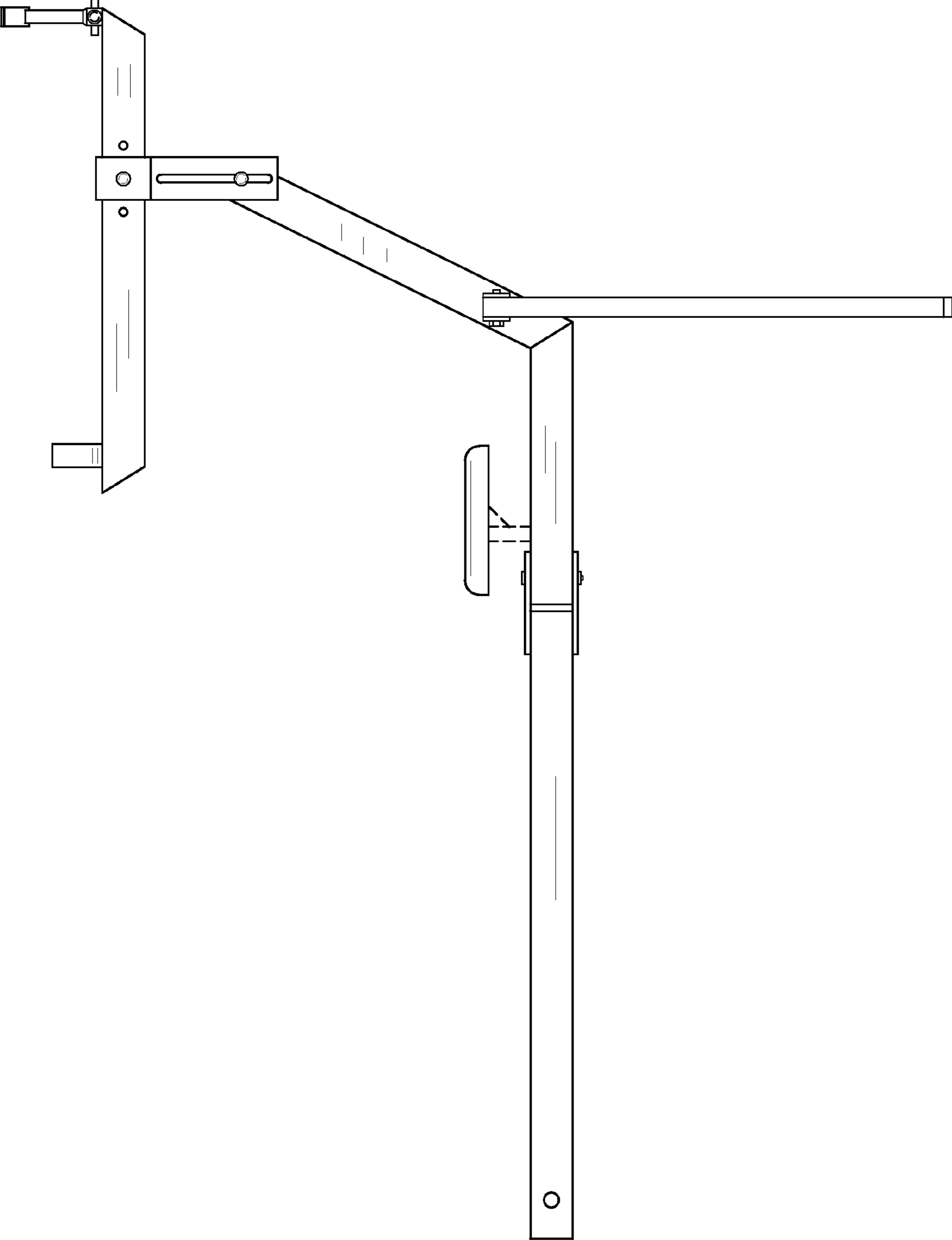


FIG. 2

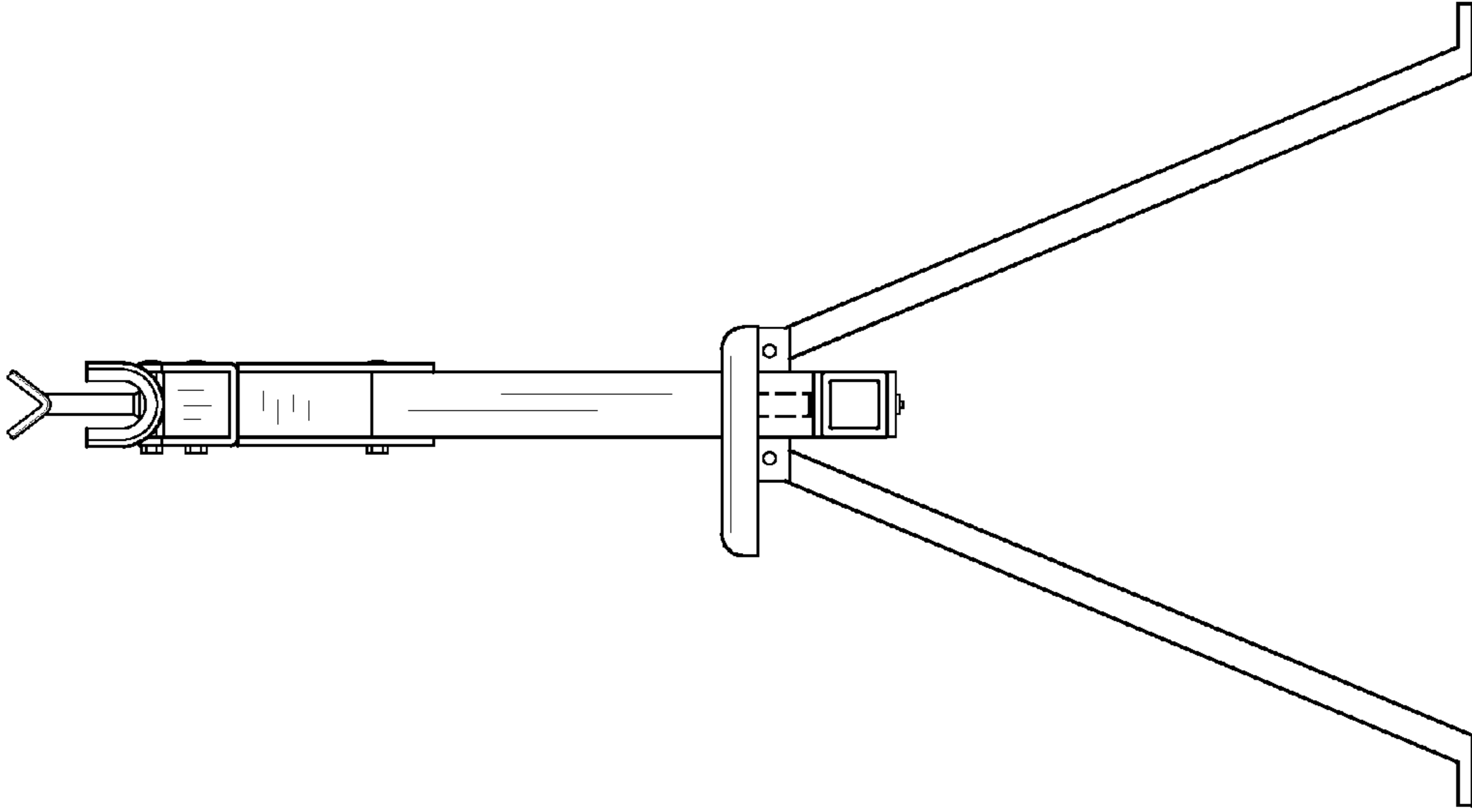


FIG. 4

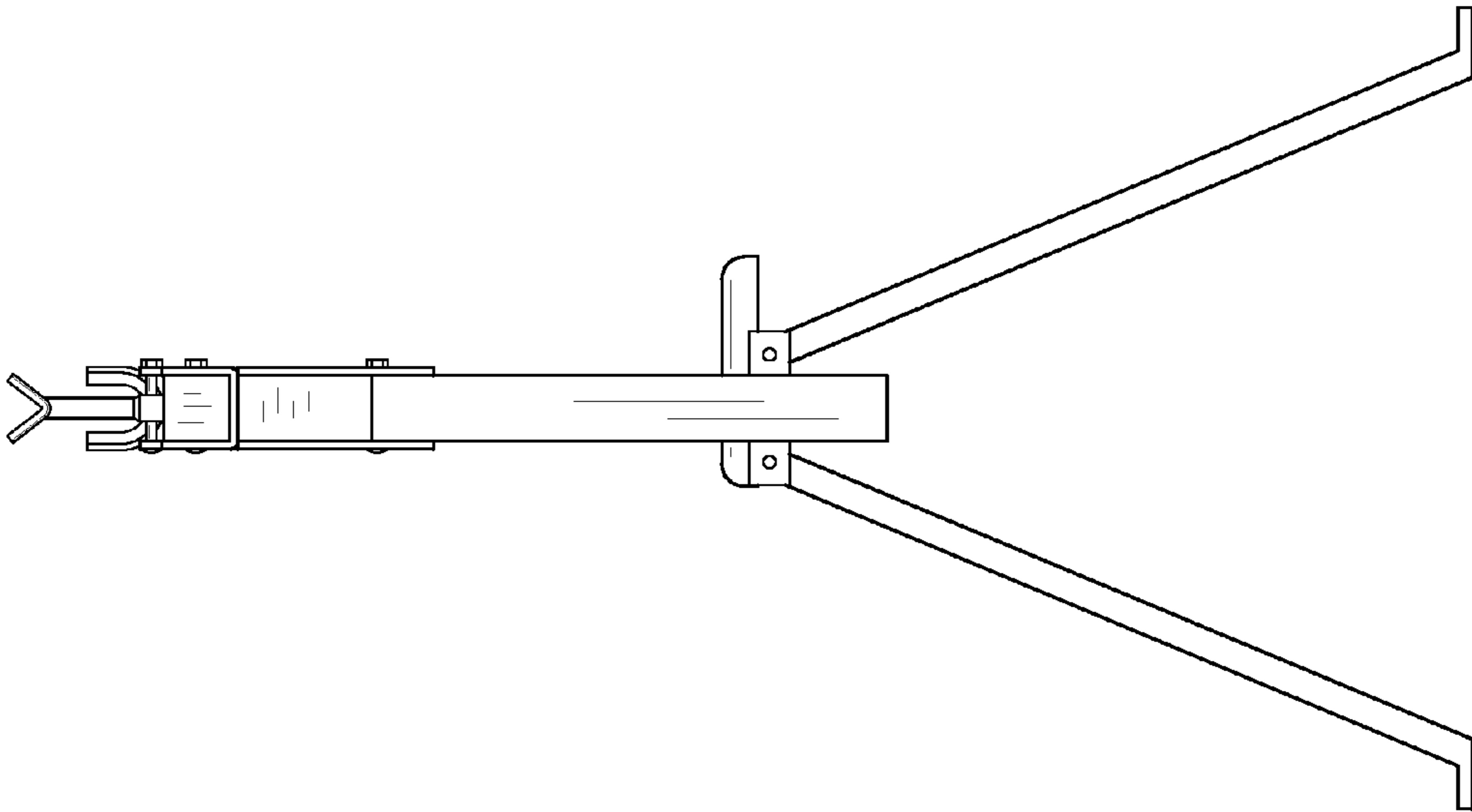
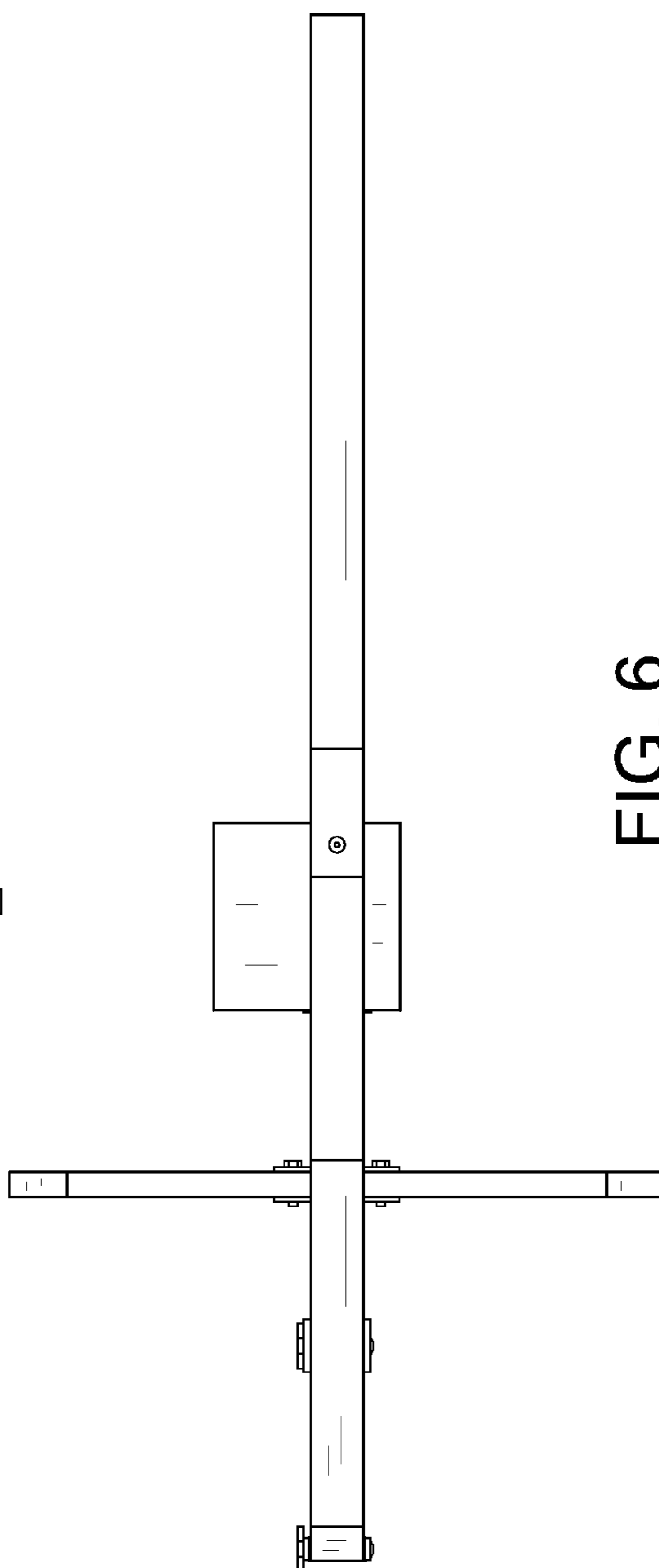
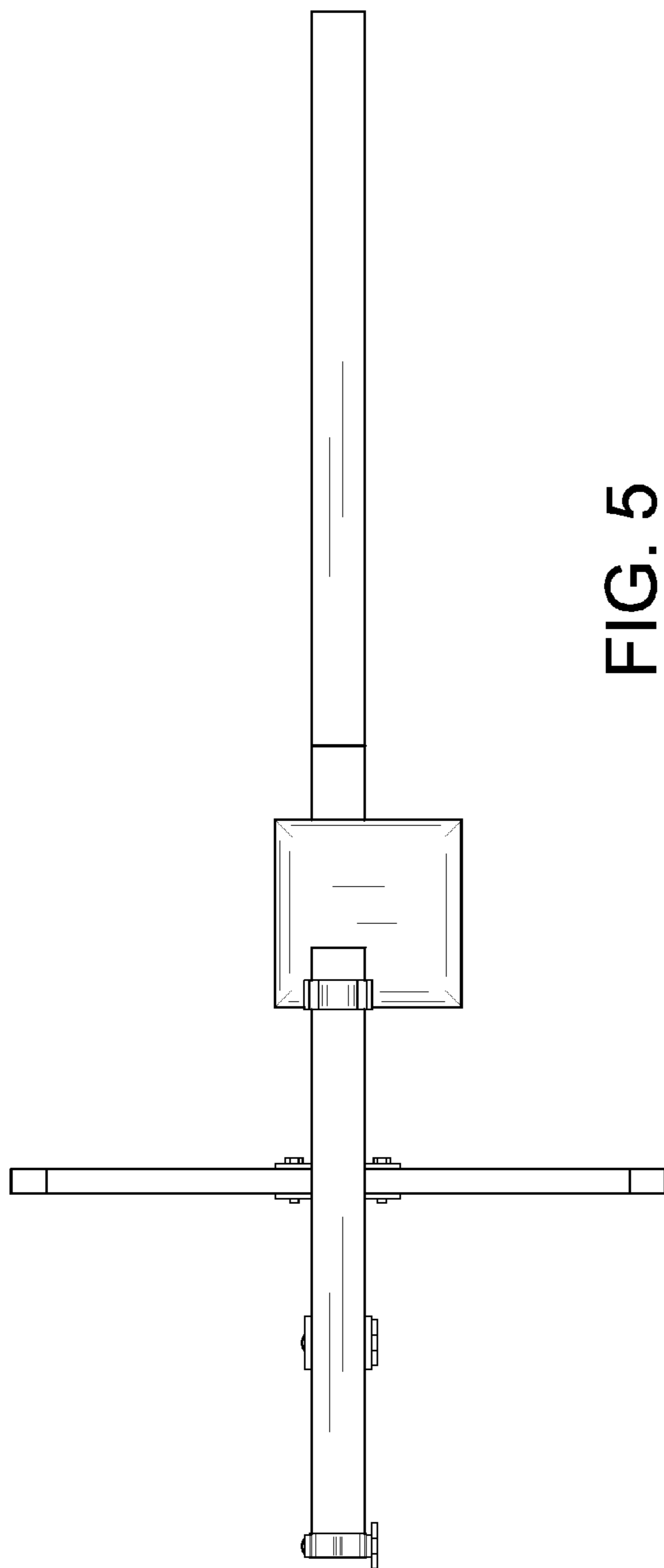


FIG. 3



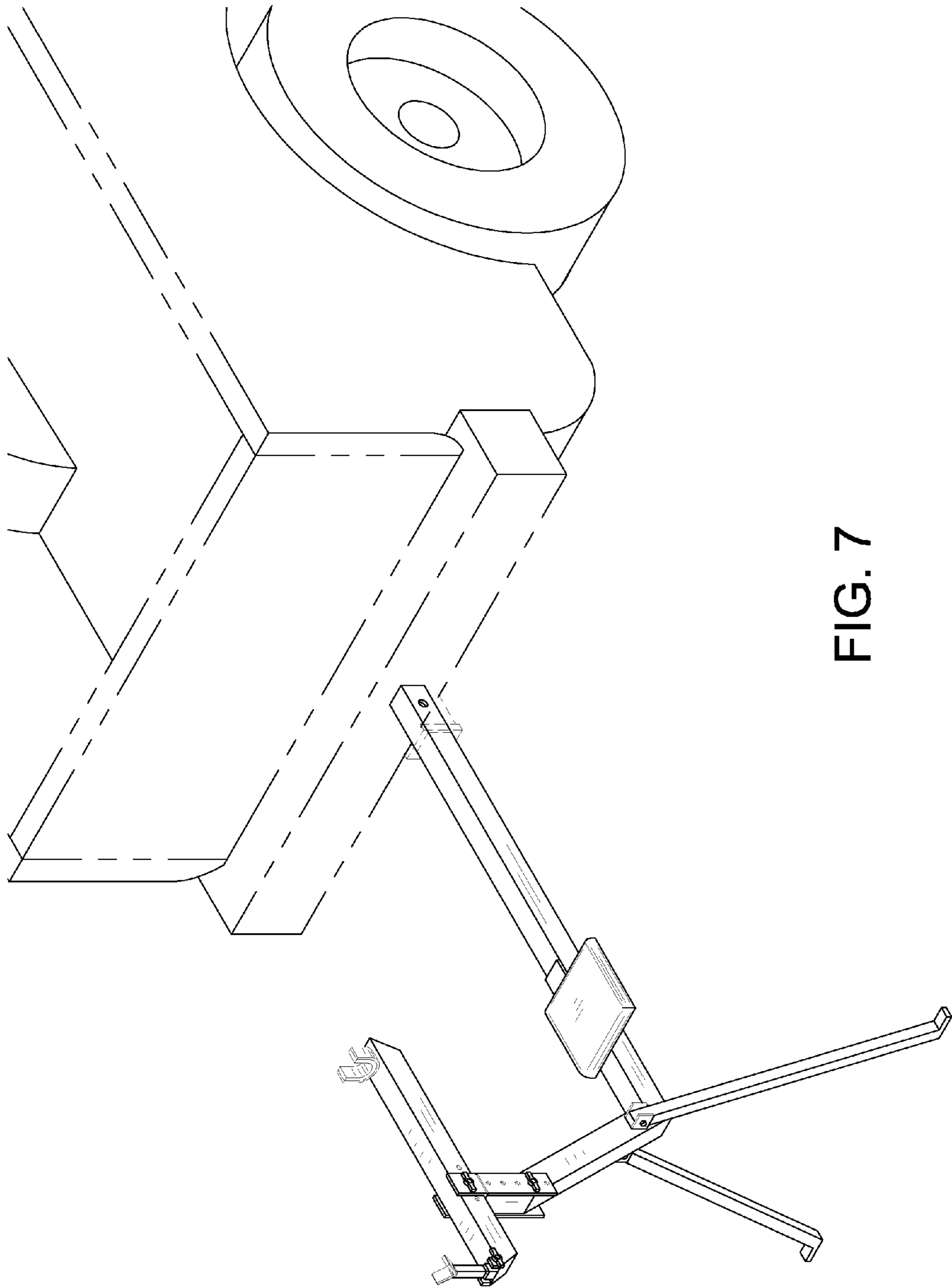


FIG. 7