

US00D638086S

(12) **United States Design Patent**
Salva

(10) **Patent No.:** **US D638,086 S**

(45) **Date of Patent:** **** *May 17, 2011**

(54) **SPORTING RIFLE**

(75) Inventor: **Francisco Casas Salva**, Barcelona (ES)

(73) Assignee: **Gamo Outdoor, SL**, Barcelona (ES)

(**) Term: **14 Years**

(21) Appl. No.: **29/320,126**

(22) Filed: **Jun. 20, 2008**

(30) **Foreign Application Priority Data**

Dec. 21, 2007 (EM) 00847751-0001

(51) **LOC (9) Cl.** **22-01**

(52) **U.S. Cl.** **D22/103**

(58) **Field of Classification Search** D21/572,
D21/573; 42/51, 71.01, 75.01, 75.02, 90,
42/94, 134, 136, 139, 125, 72, 111; 362/110;
33/241, 277; 313/105 R; 89/40.06, 41.19,
89/37.04, 33.04, 191.01, 200-204; 124/67,
124/66, 74

See application file for complete search history.

(56) **References Cited**

U.S. PATENT DOCUMENTS

1,270,436	A *	6/1918	Reach	42/106
1,710,547	A *	4/1929	Meise	42/124
D117,638	S *	11/1939	Pugsley	D22/103
D180,389	S *	6/1957	Bowman	D22/103
D253,485	S *	11/1979	Robinson	D22/103
D295,545	S *	5/1988	Bell	D22/103
D297,855	S *	9/1988	Ruger et al.	D22/108
D299,673	S *	1/1989	Knight	D22/103
D299,943	S *	2/1989	Zelzer	D22/103

D304,223	S *	10/1989	Ruger et al.	D22/108
4,945,812	A *	8/1990	Mazzanti	89/14.3
D403,043	S *	12/1998	Spekner	D22/103
D416,305	S *	11/1999	Ruger et al.	D22/103
D502,753	S *	3/2005	Bezborodov et al.	D22/103
D529,839	S *	10/2006	Howald	D11/181
D551,312	S *	9/2007	Al-Mulla	D22/103
D567,895	S *	4/2008	Cauley	D22/108
D614,717	S *	4/2010	Salva	D22/108
2009/0064559	A1 *	3/2009	Potterfield et al.	42/94

* cited by examiner

Primary Examiner — T. Chase Nelson

Assistant Examiner — Michael A Pratt

(74) *Attorney, Agent, or Firm* — Kilpatrick Townsend & Stockton LLP

(57) **CLAIM**

The ornamental design for a sporting rifle, as shown and described.

DESCRIPTION

FIG. 1 is a perspective view showing my new design;

FIG. 2 is a left side view thereof;

FIG. 3 is a right side view thereof;

FIG. 4 is a top view thereof;

FIG. 5 is a bottom view thereof;

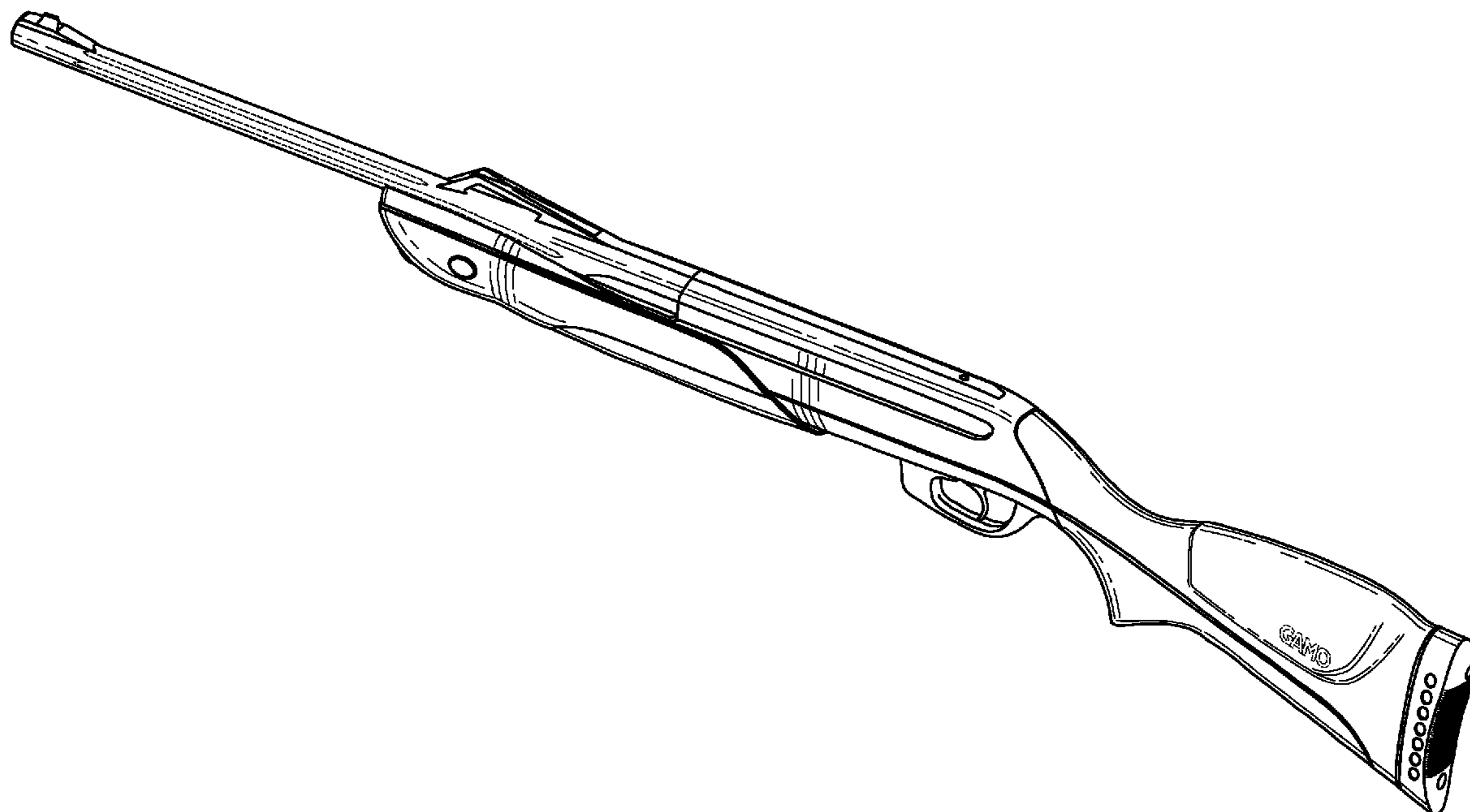
FIG. 6 is a front view thereof; and,

FIG. 7 is a rear view thereof.

The broken line showing of portions of the sporting rifle in FIGS. 1-7 form no part of the design.

The name GAMO is a trademark owned by Industrias el GAMO, S.A. The broken lines shown in the drawings form no part of the claimed design.

1 Claim, 4 Drawing Sheets



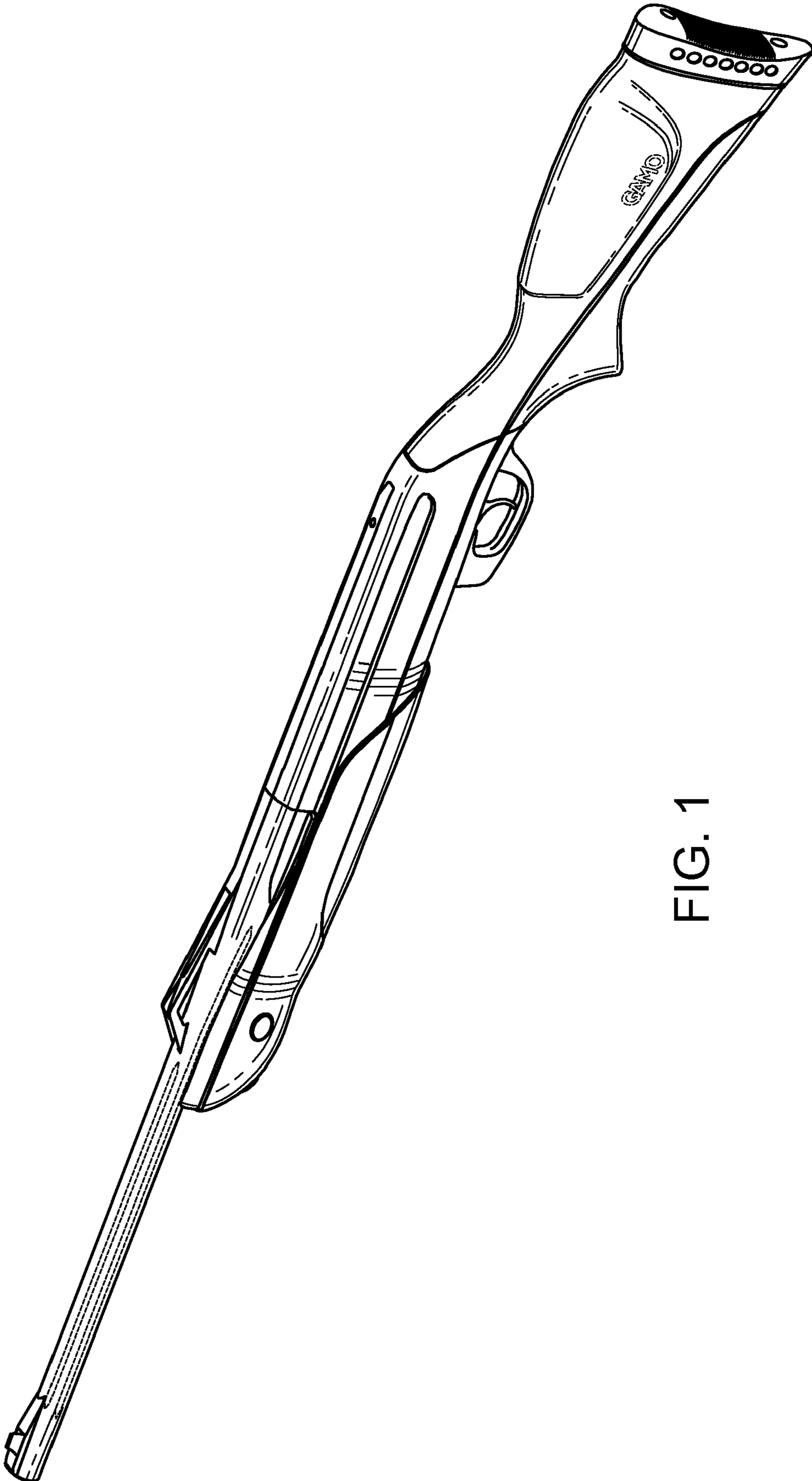


FIG. 1

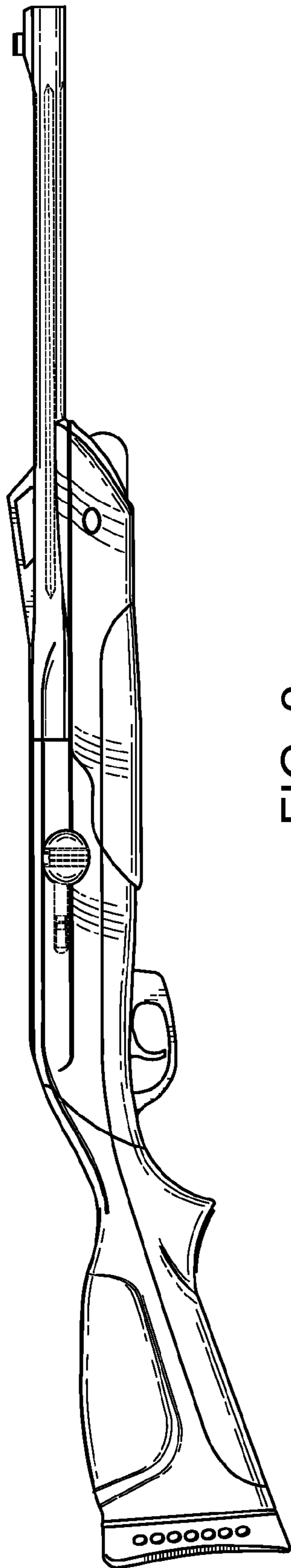


FIG. 2

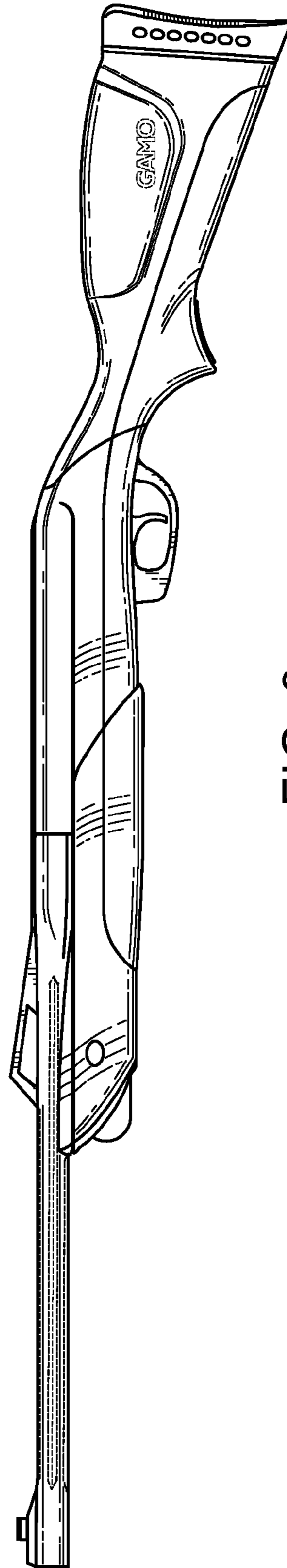


FIG. 3

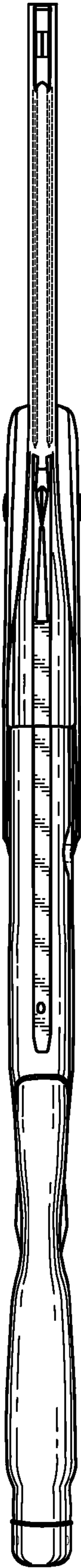


FIG. 4

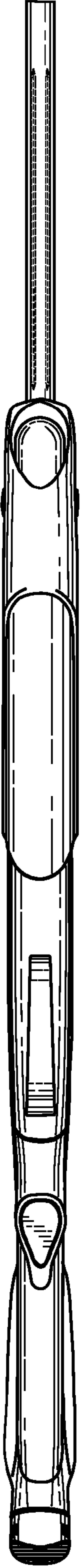


FIG. 5

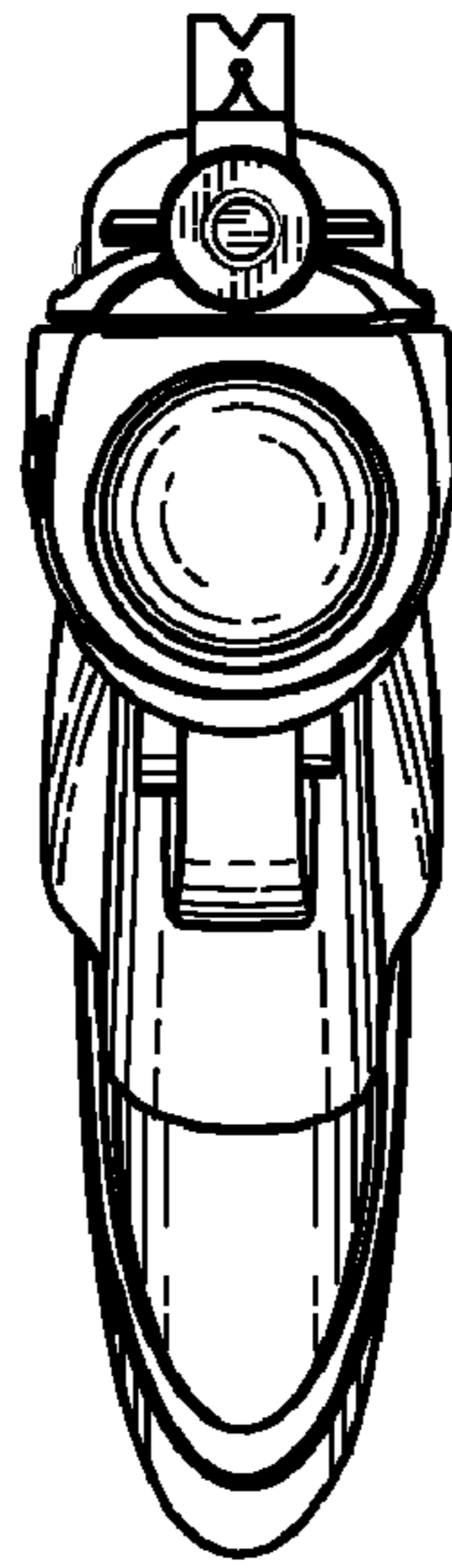


FIG. 6

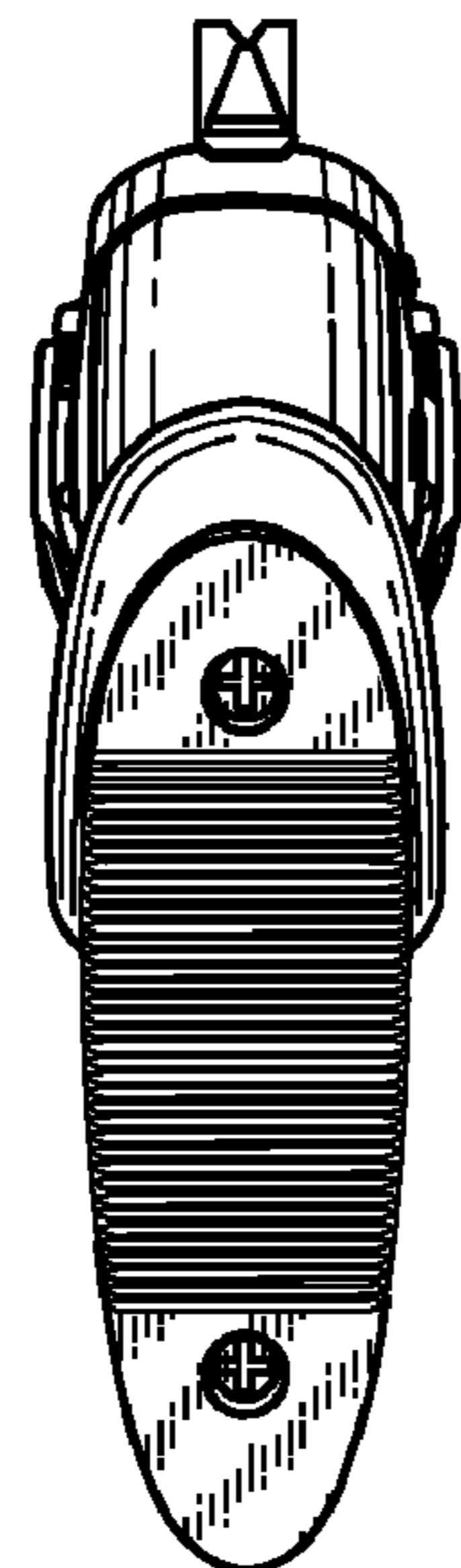


FIG. 7