



US00D638079S

(12) **United States Design Patent**  
**Cheng**

(10) **Patent No.:** **US D638,079 S**

(45) **Date of Patent:** **\*\* May 17, 2011**

(54) **BATTING TEE WITH ARCUATE ADJUSTMENT**

(75) Inventor: **Livingston T Cheng**, Natick, MA (US)

(73) Assignee: **Franklin Sports, Inc**, Stoughton, MA (US)

(\*\*) Term: **14 Years**

(21) Appl. No.: **29/359,599**

(22) Filed: **Apr. 13, 2010**

(51) **LOC (9) Cl.** ..... **21-02**

(52) **U.S. Cl.** ..... **D21/717**

(58) **Field of Classification Search** ..... D21/698,  
D21/715, 717, 719, 720, 780; 473/415-504  
See application file for complete search history.

(56) **References Cited**

**U.S. PATENT DOCUMENTS**

4,383,686	A	5/1983	Cardieri	
4,445,685	A	5/1984	Cardieri	
4,664,374	A	5/1987	Groves	
4,709,924	A	12/1987	Wilson et al.	
4,819,937	A	4/1989	Gordon	
4,938,478	A *	7/1990	Lay	473/423
4,962,924	A	10/1990	James	
5,004,234	A	4/1991	Hollis	
5,388,823	A	2/1995	Prieto	
D373,806	S	9/1996	Bunnell	
5,556,091	A *	9/1996	Lin	473/417
D401,987	S *	12/1998	Amburgey et al.	D21/715
5,897,444	A	4/1999	Hellyer	
D410,052	S	5/1999	Davis et al.	

5,916,045	A	6/1999	Busch	
5,928,092	A *	7/1999	Keeter et al.	473/417
6,099,418	A	8/2000	Owen	
6,238,307	B1	5/2001	Owen	
6,884,185	B2 *	4/2005	Udwin et al.	473/417
D513,294	S *	12/2005	deGrasse	D21/717
6,979,273	B2	12/2005	Tsai	
7,063,632	B2	6/2006	Green	
7,204,769	B2 *	4/2007	Bandimere et al.	473/417
7,479,074	B1	1/2009	Pierce	
7,641,573	B2	1/2010	Cech	
7,704,168	B1 *	4/2010	Hochberg	473/417
7,744,496	B2 *	6/2010	Chisena	473/417
2003/0032506	A1 *	2/2003	Chi	473/417
2009/0312123	A1 *	12/2009	Liao	473/417

\* cited by examiner

*Primary Examiner* — Catherine Tuttle

(74) *Attorney, Agent, or Firm* — Joseph B Bowman

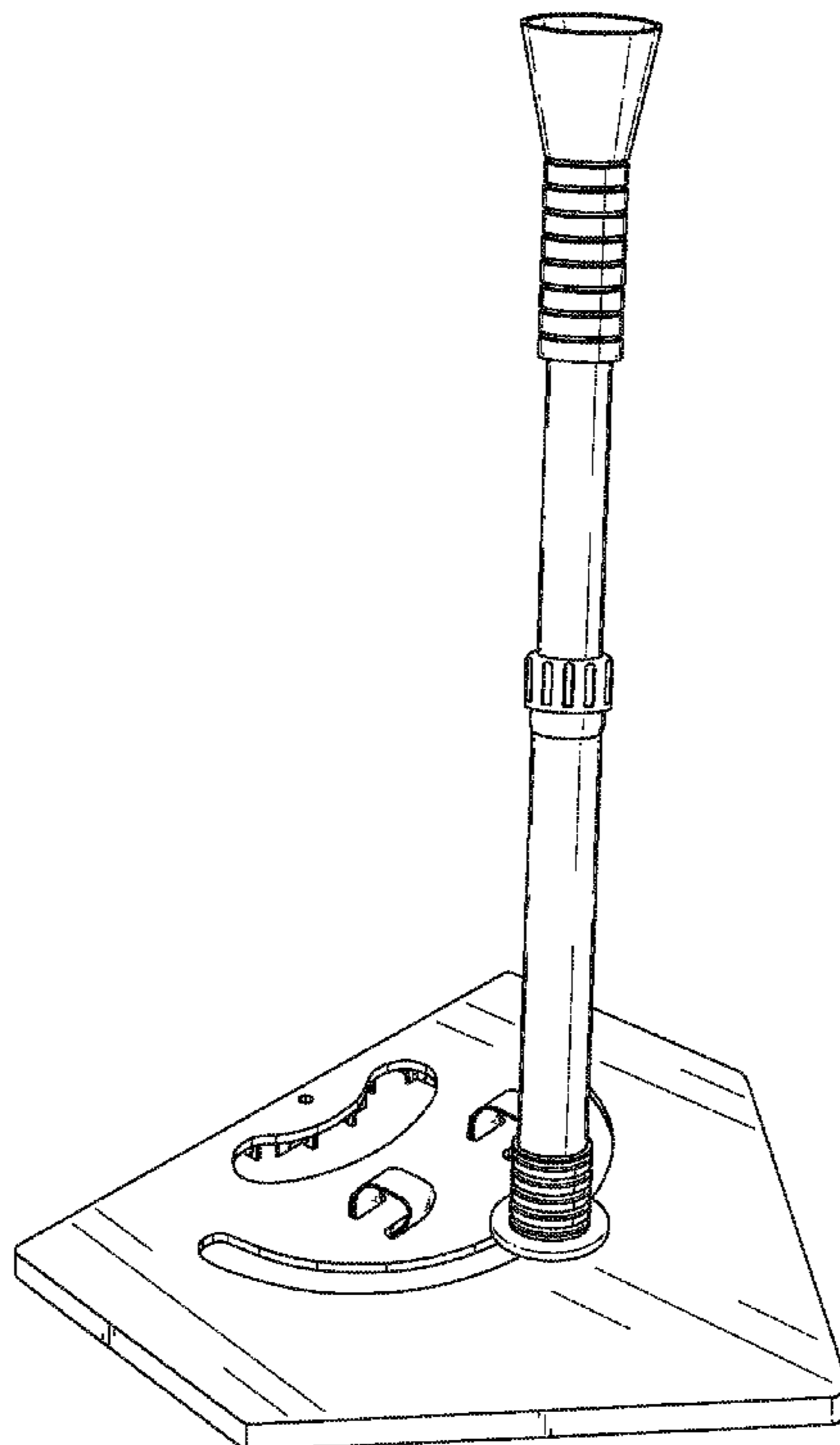
(57) **CLAIM**

The ornamental design for a batting tee with arcuate adjustment, as shown and described.

**DESCRIPTION**

FIG. 1 is a perspective view of a batting tee with arcuate adjustment showing my new design;  
FIG. 2 is a front elevational view thereof;  
FIG. 3 is a rear elevational view thereof;  
FIG. 4 is a top plan view thereof;  
FIG. 5 is a bottom plan view thereof;  
FIG. 6 is a left side elevational view thereof; and,  
FIG. 7 is a right side elevational view thereof.

**1 Claim, 7 Drawing Sheets**



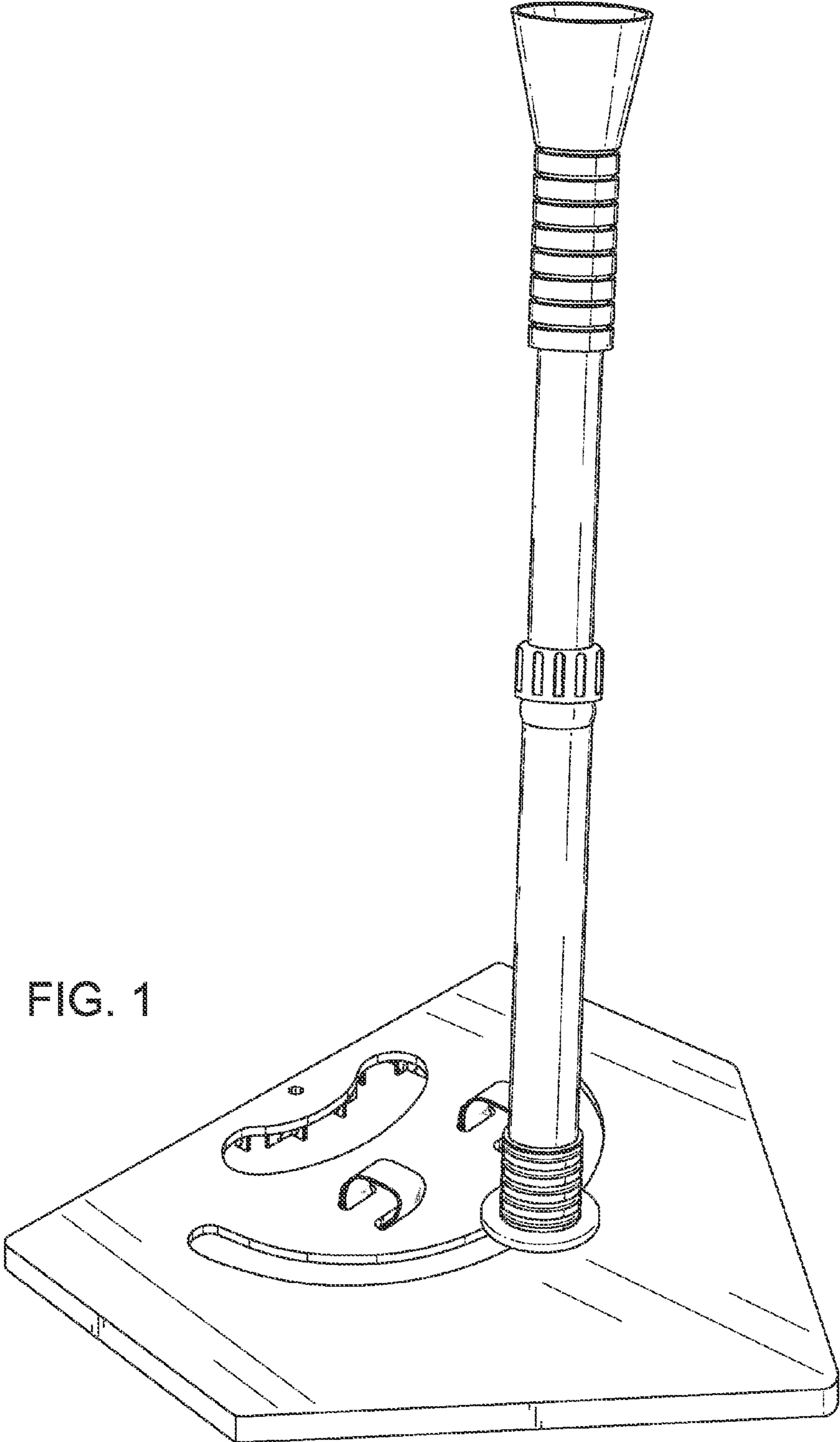


FIG. 1

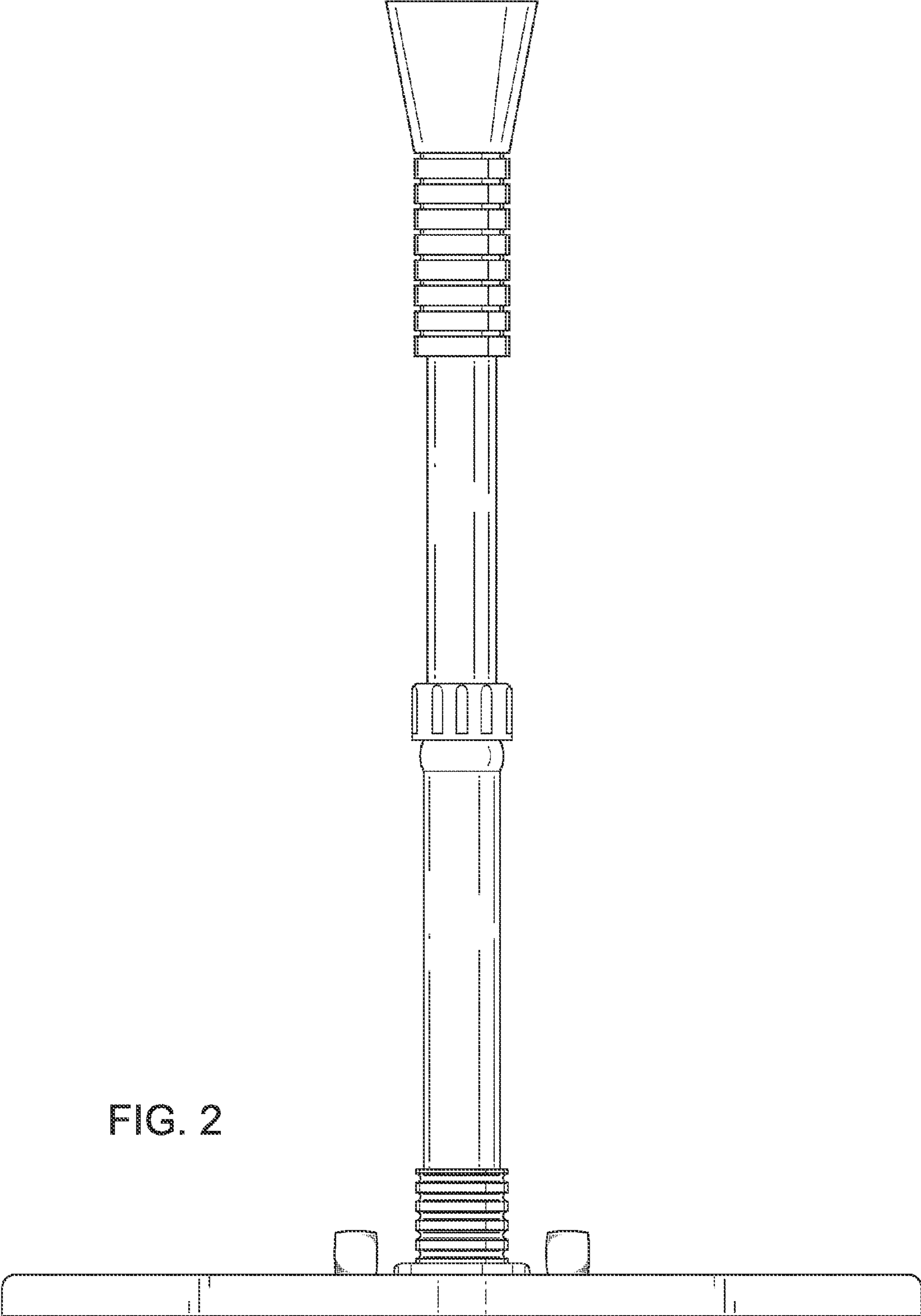


FIG. 2

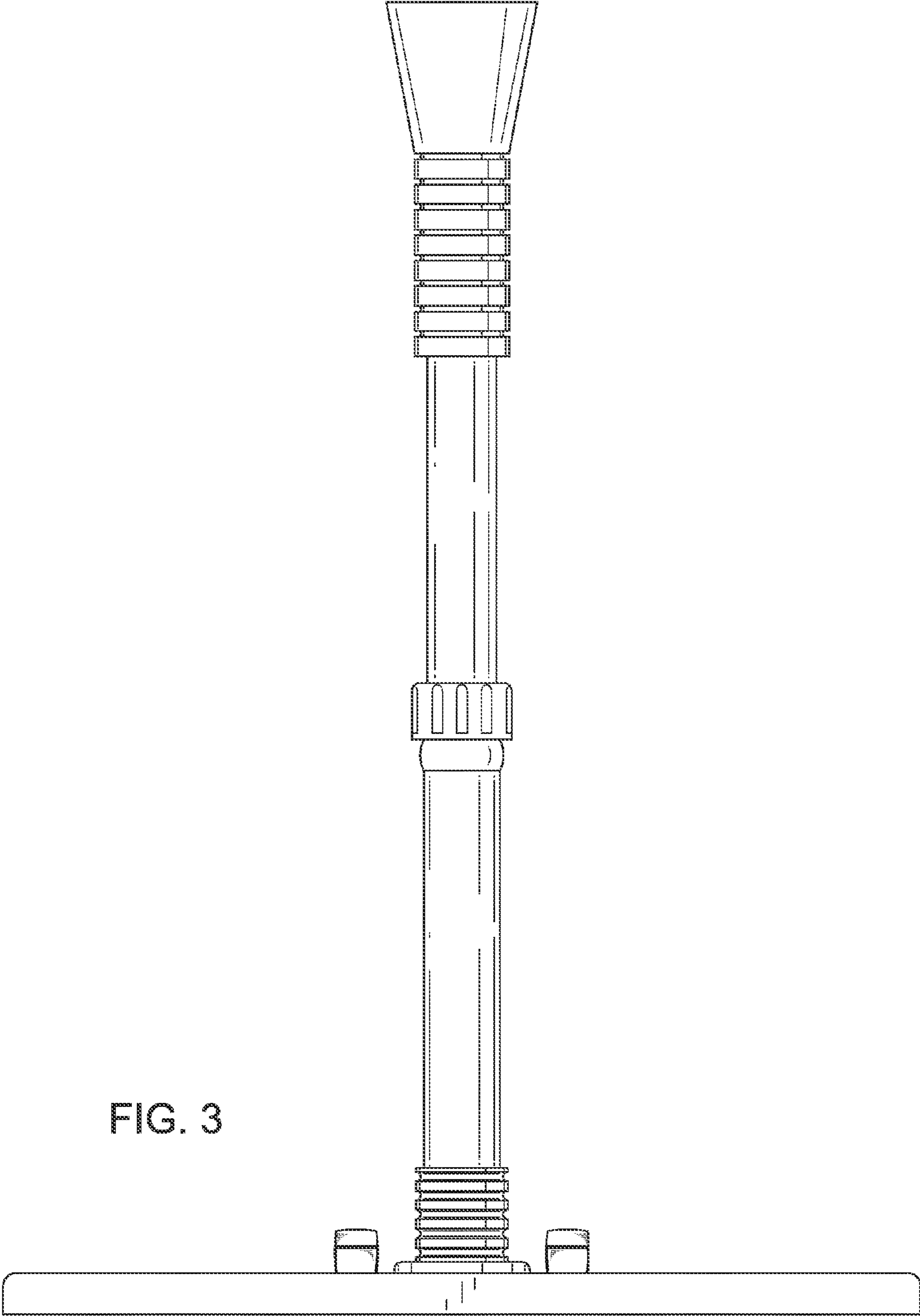


FIG. 3

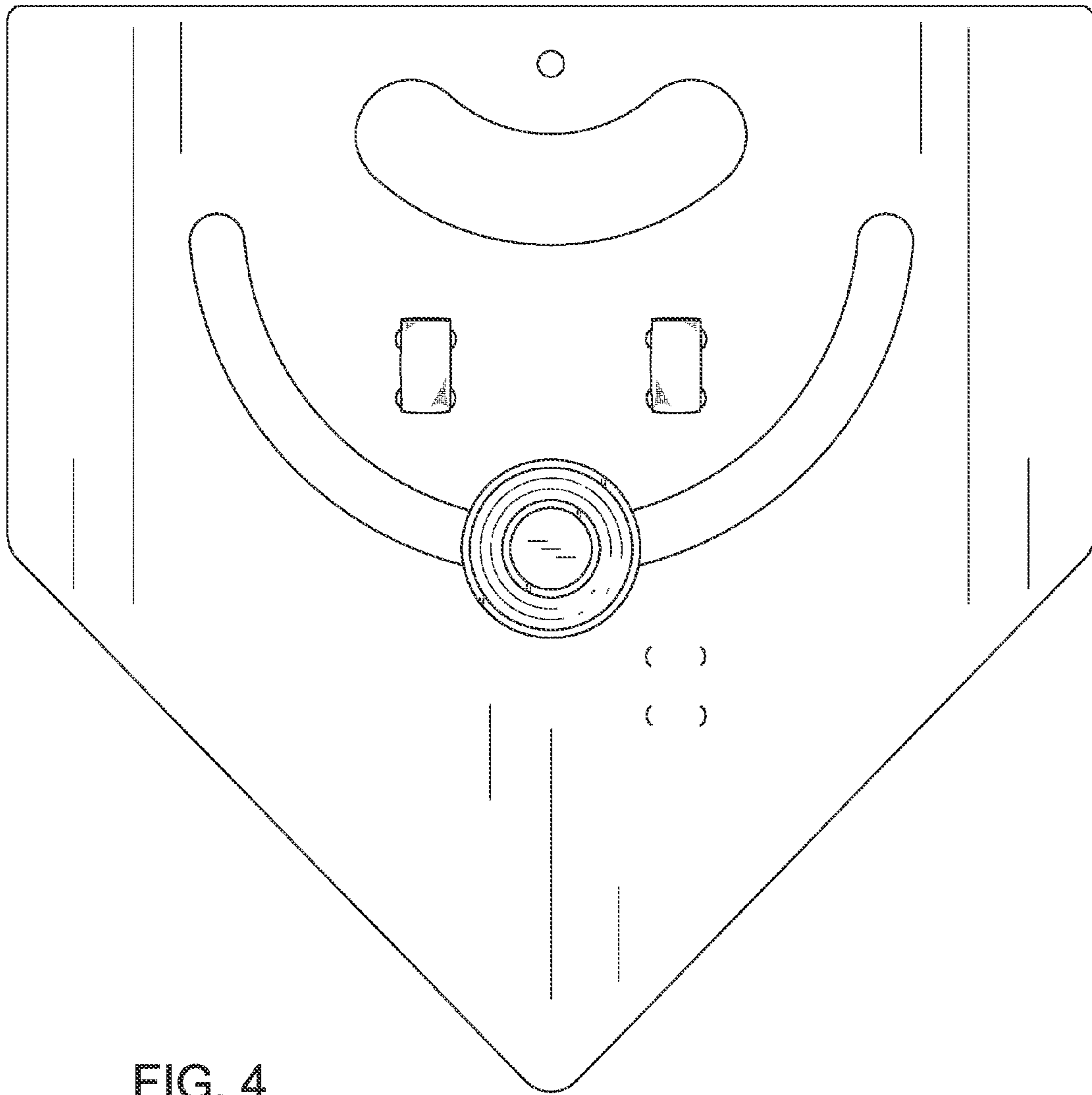
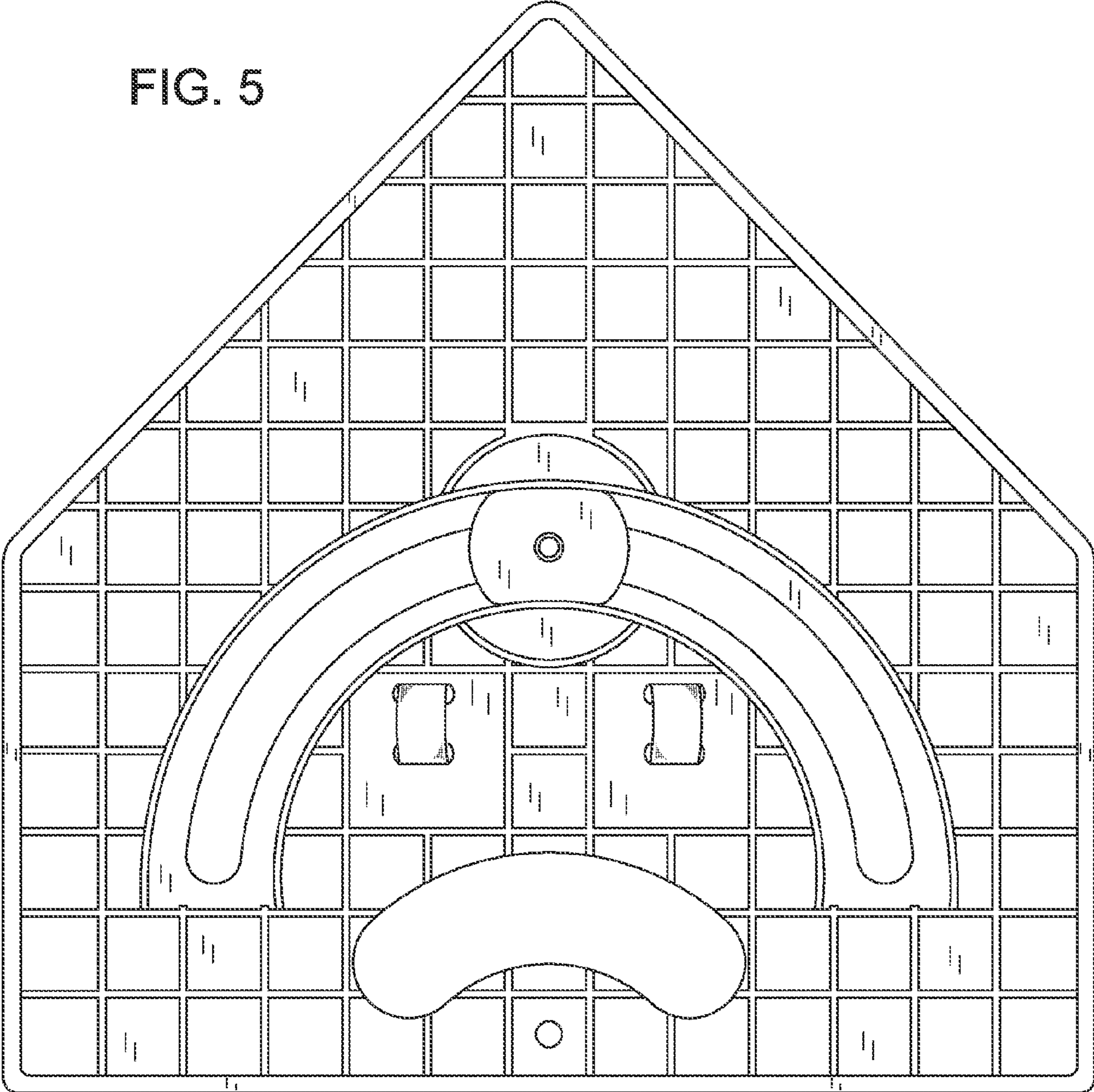


FIG. 4

FIG. 5



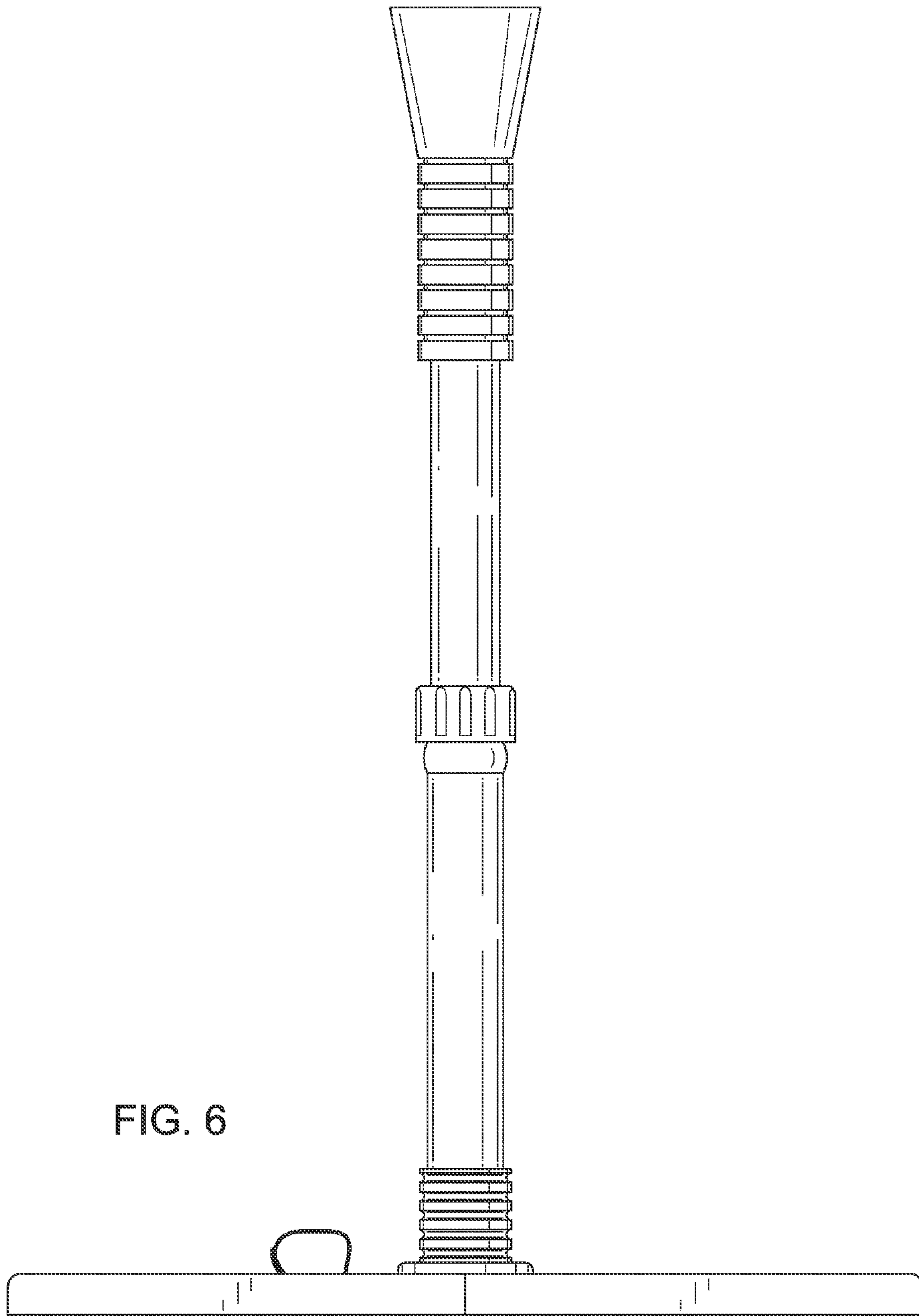


FIG. 6

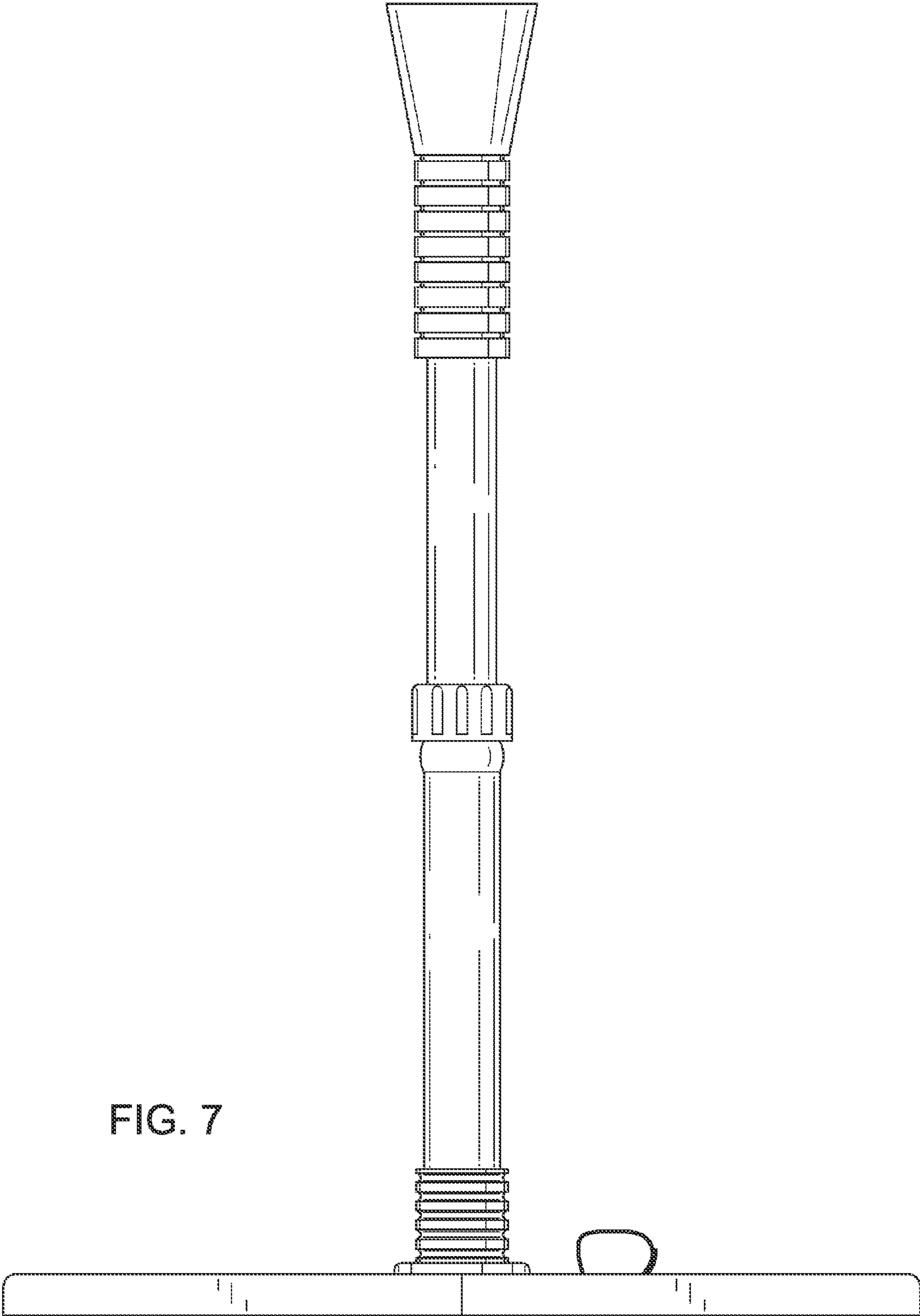


FIG. 7