



US00D638073S

(12) **United States Design Patent**
Hurst

(10) **Patent No.:** **US D638,073 S**

(45) **Date of Patent:** **** May 17, 2011**

(54) **PYRAMID SOLITAIRE PUZZLE**

(76) Inventor: **Richard F. Hurst**, Vero Beach, FL (US)

(**) Term: **14 Years**

(21) Appl. No.: **29/370,512**

(22) Filed: **Jul. 28, 2010**

(51) **LOC (9) Cl.** **21-01**

(52) **U.S. Cl.** **D21/478**

(58) **Field of Classification Search** D21/478-480,
D21/468, 470, 484, 485, 491, 300-368; D19/59-64;
273/153 R-153 J, 236-291; 446/118

See application file for complete search history.

(56) **References Cited**

U.S. PATENT DOCUMENTS

D22,265 S *	3/1893	Leedy	D21/341
1,033,422 A *	7/1912	Langley et al.	273/153 J
1,421,656 A *	7/1922	Abele	273/266
1,623,881 A *	4/1927	Mayer	273/264
D142,122 S *	8/1945	Rolley	D21/341
3,074,721 A *	1/1963	De Moon	273/153 J
D202,201 S *	9/1965	Hagin	D21/368
3,658,334 A *	4/1972	Burden	273/153 J

3,708,171 A *	1/1973	Kunik et al.	273/266
3,834,708 A *	9/1974	Shoptaugh	273/242
5,290,038 A *	3/1994	Khin	273/263

* cited by examiner

Primary Examiner — Catherine Tuttle

(74) *Attorney, Agent, or Firm* — Michael R. Philips

(57) **CLAIM**

The ornamental design for the pyramid solitaire puzzle, as shown and described.

DESCRIPTION

FIG. 1 is a front perspective view of the pyramid solitaire puzzle showing my new design with its play pieces in the starting position;

FIG. 2 is a front perspective view showing the design with play pieces repositioned after play has begun;

FIG. 3 is a top plan view of FIG. 1;

FIG. 4 is a front elevation view of FIG. 1;

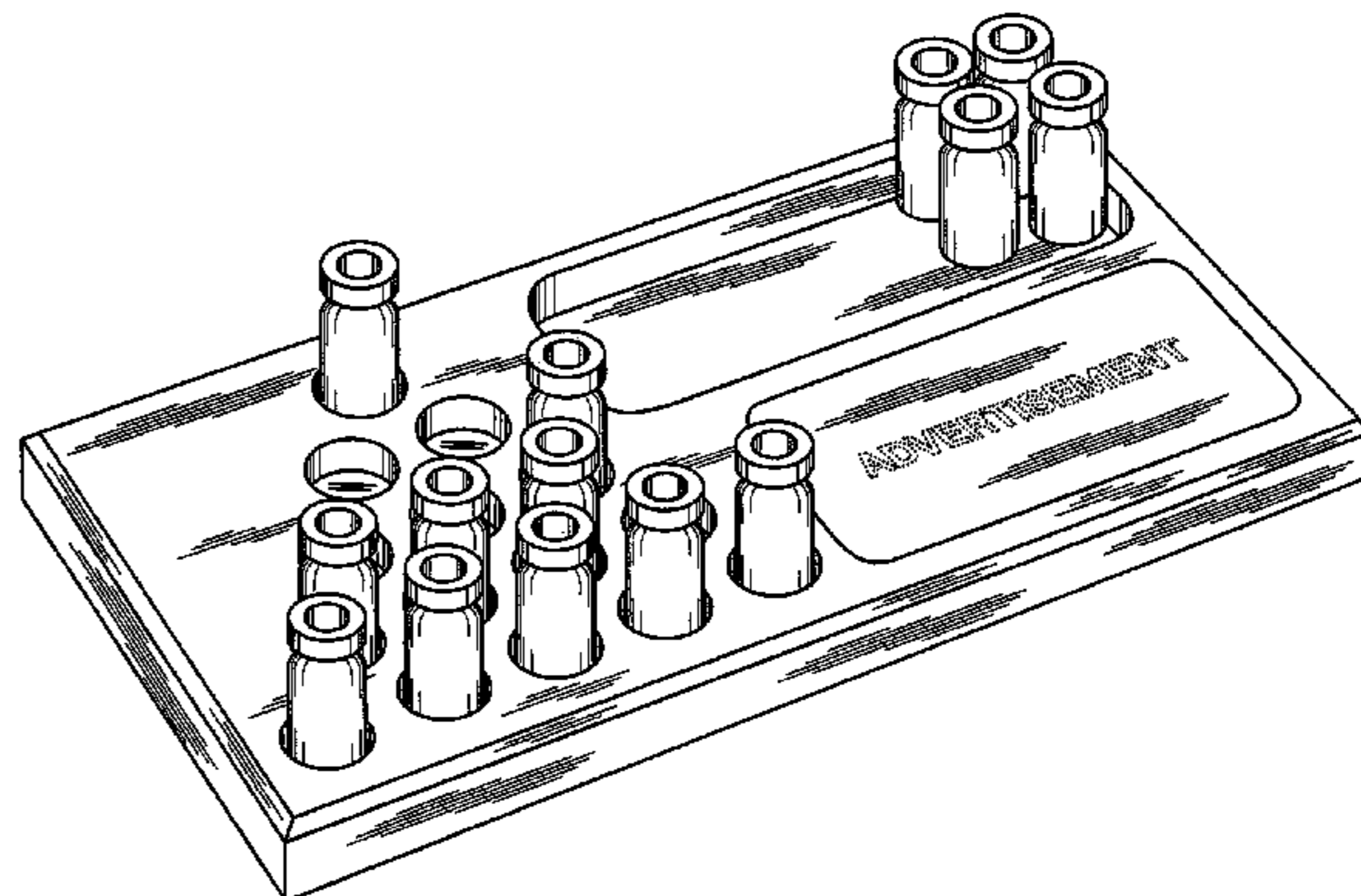
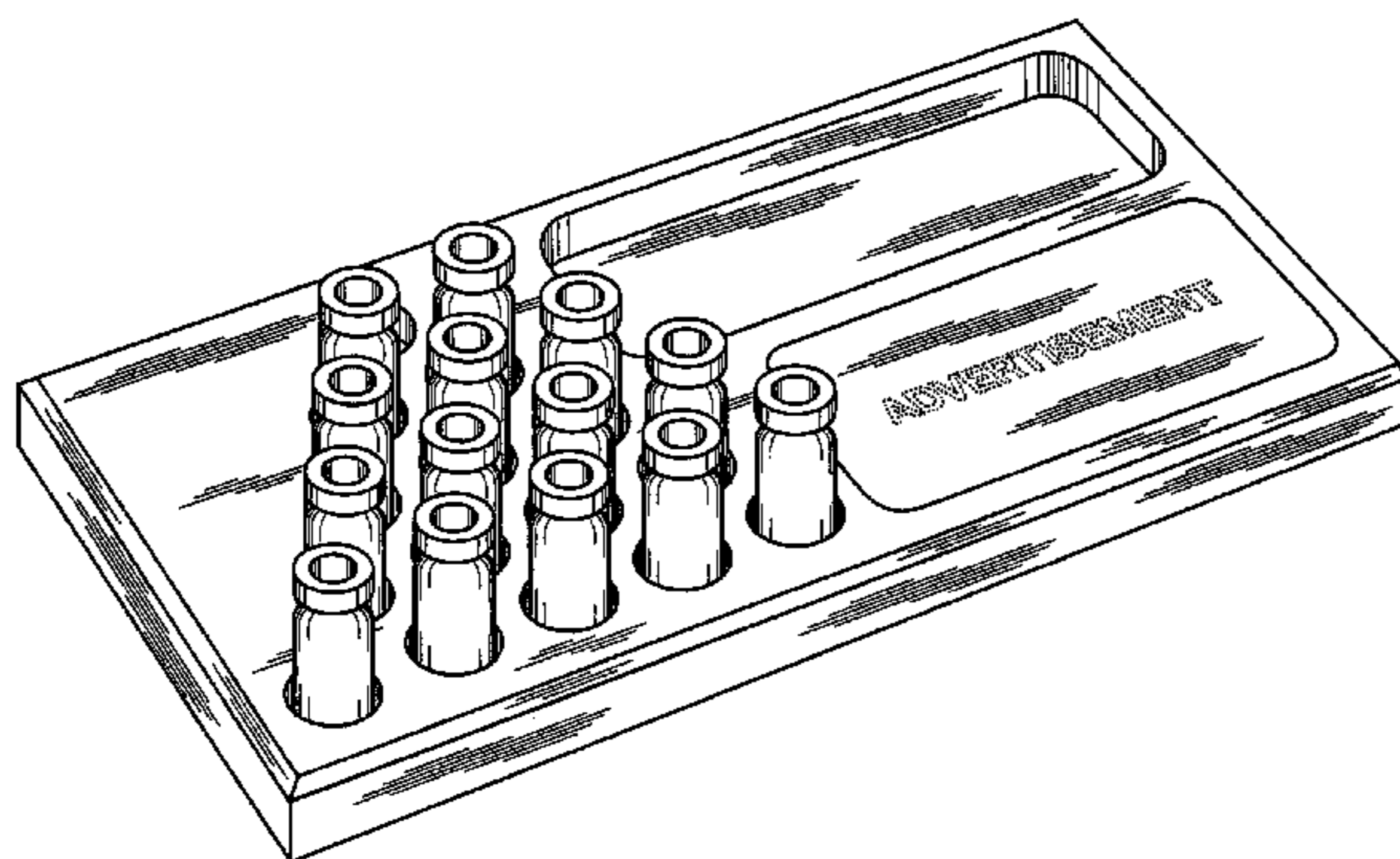
FIG. 5 is a rear elevation view of FIG. 1;

FIG. 6 is a left end elevation view of FIG. 1; and,

FIG. 7 is a right end elevation view of FIG. 1.

The broken lines shown in FIGS. 1-3 are included for the purpose of representing surface indicia that forms no part of the claimed design.

1 Claim, 5 Drawing Sheets



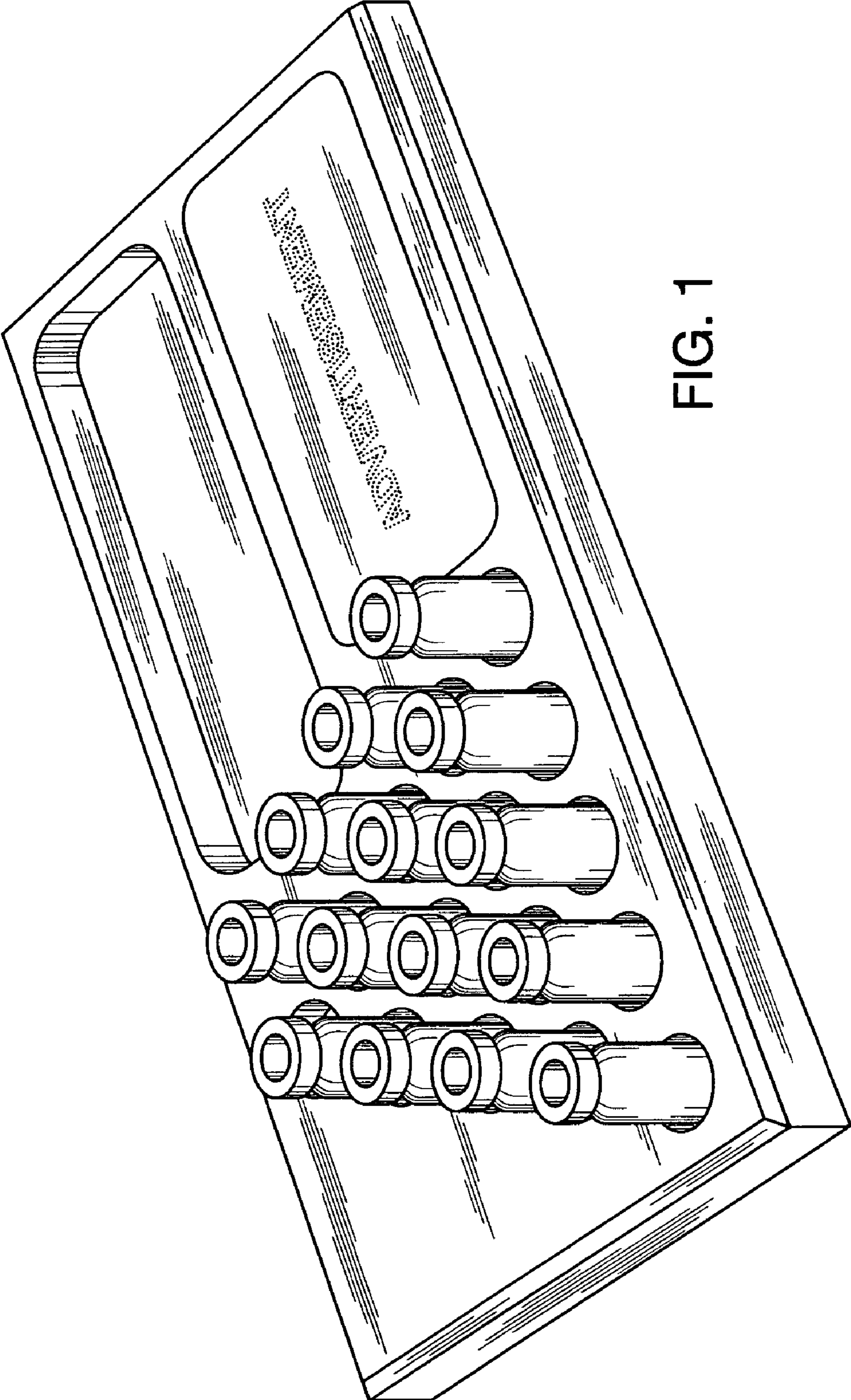


FIG. 1

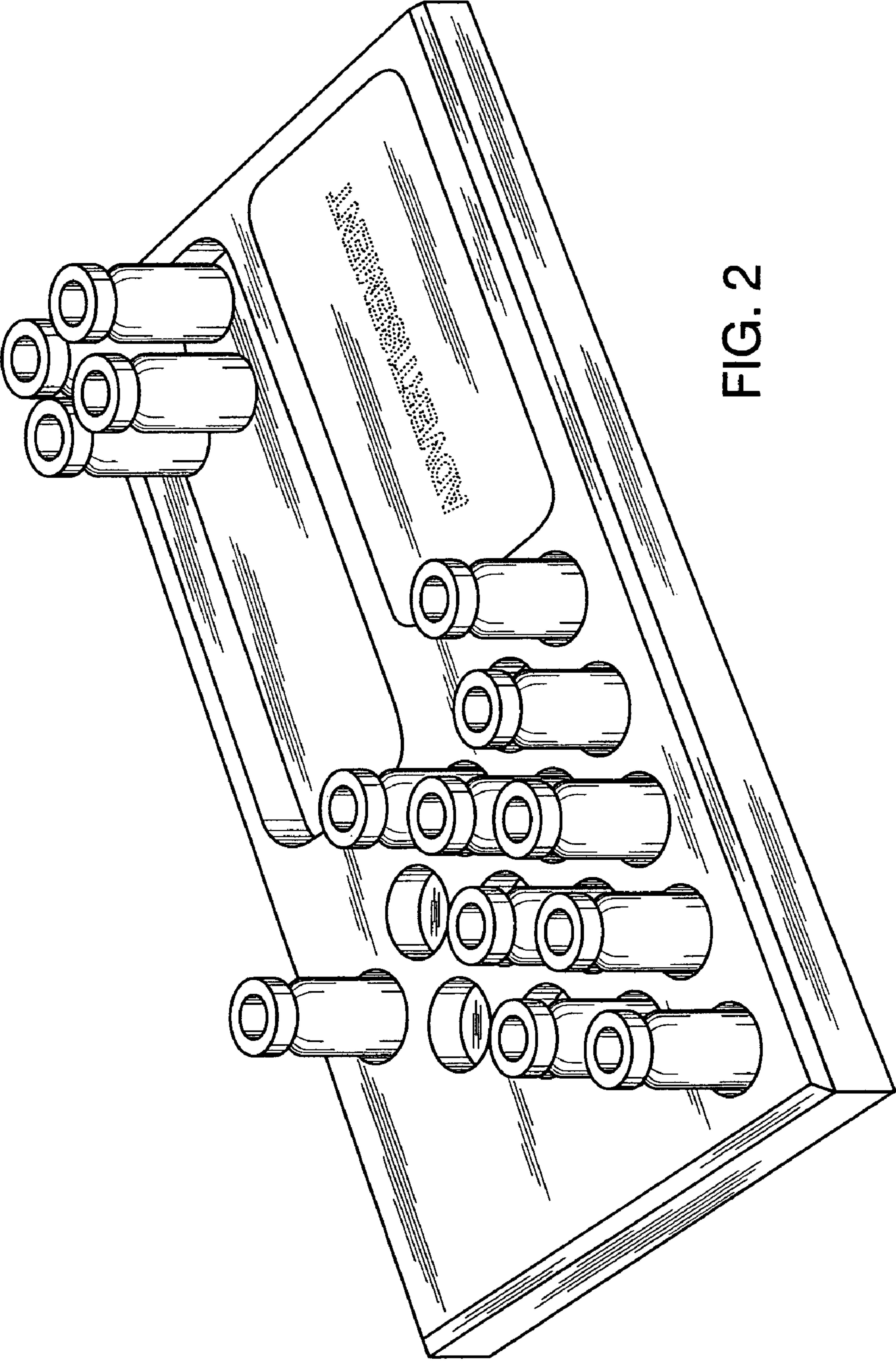


FIG. 2

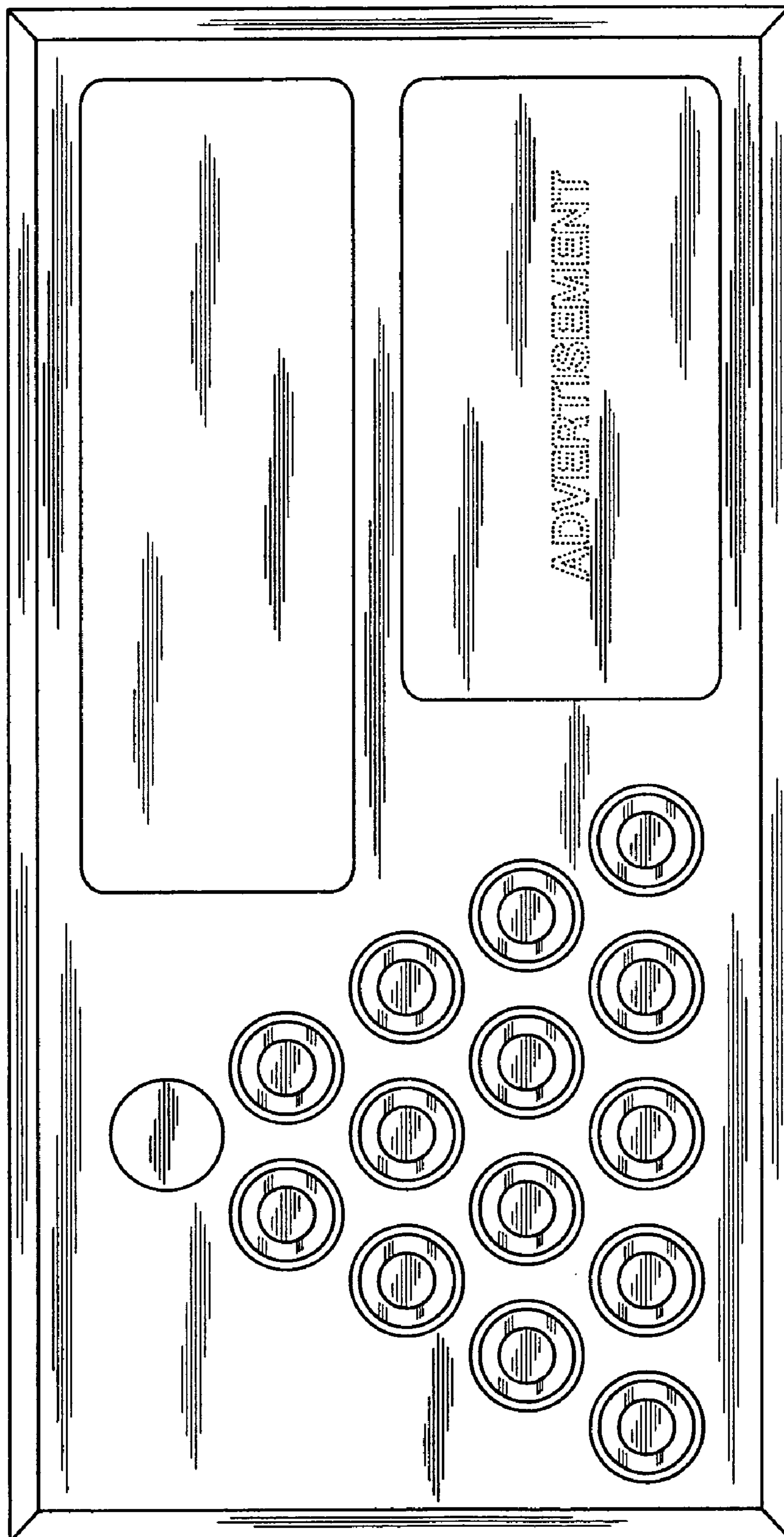


FIG. 3

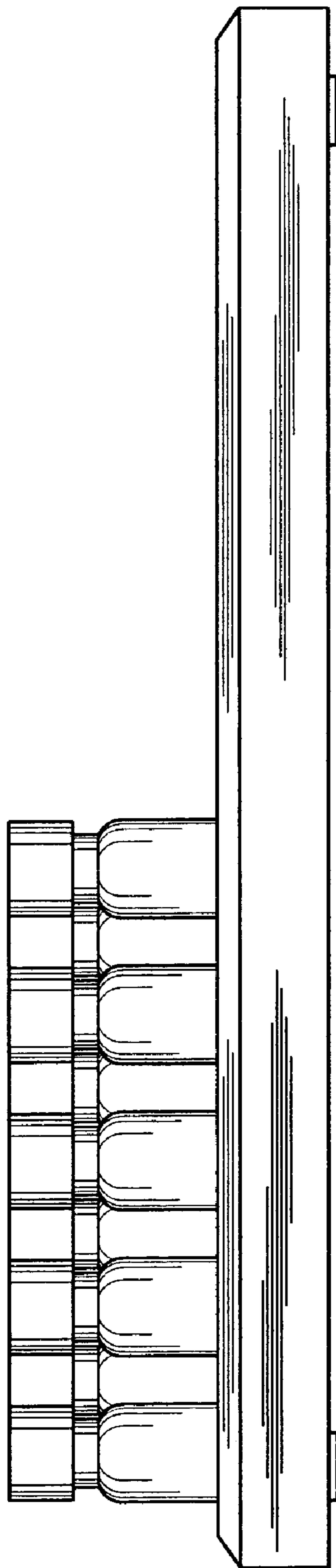


FIG. 4

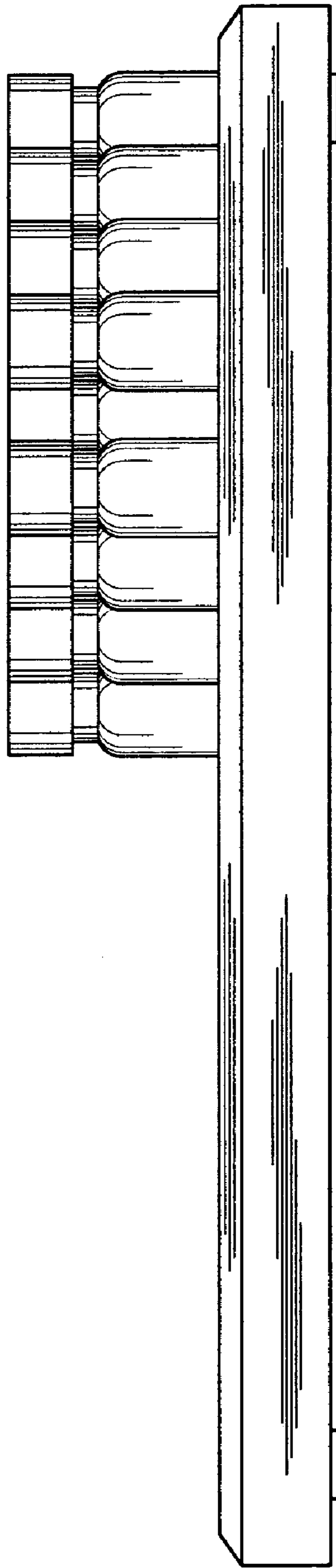


FIG. 5

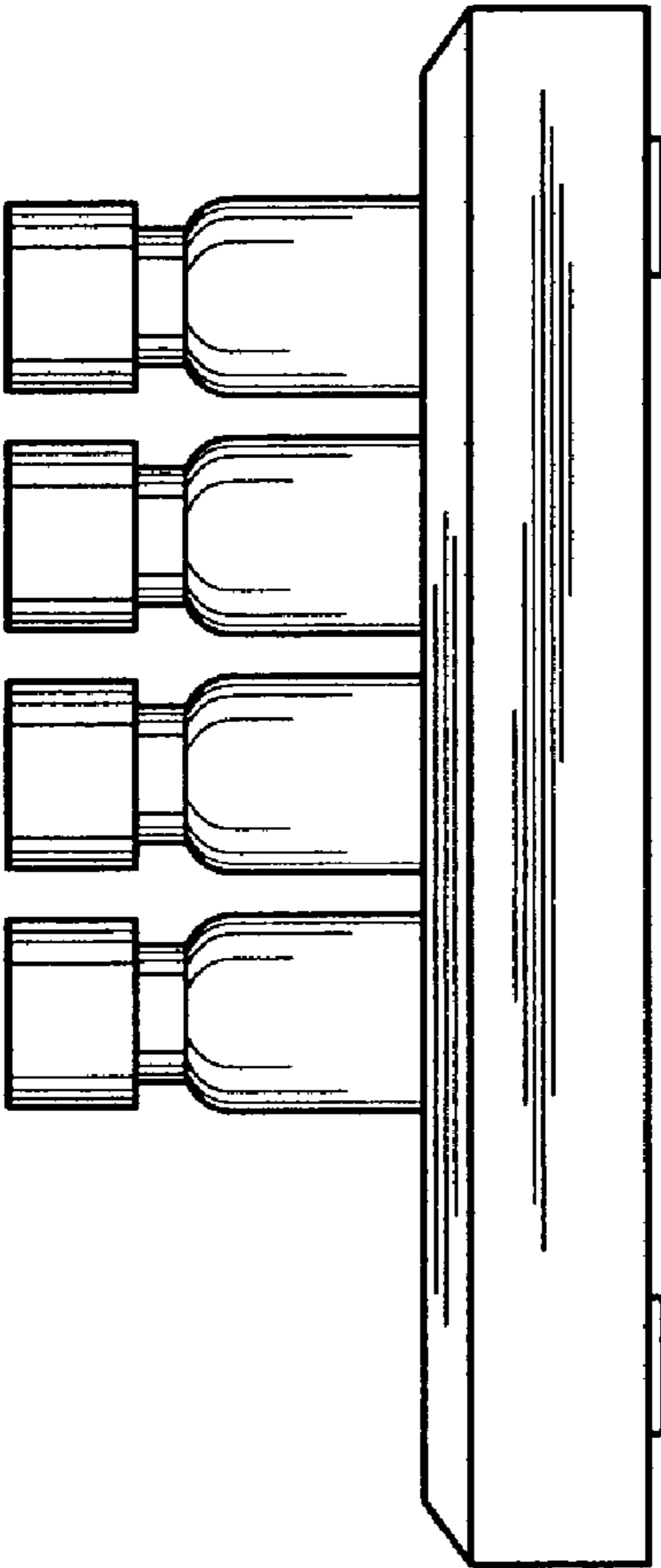


FIG. 6

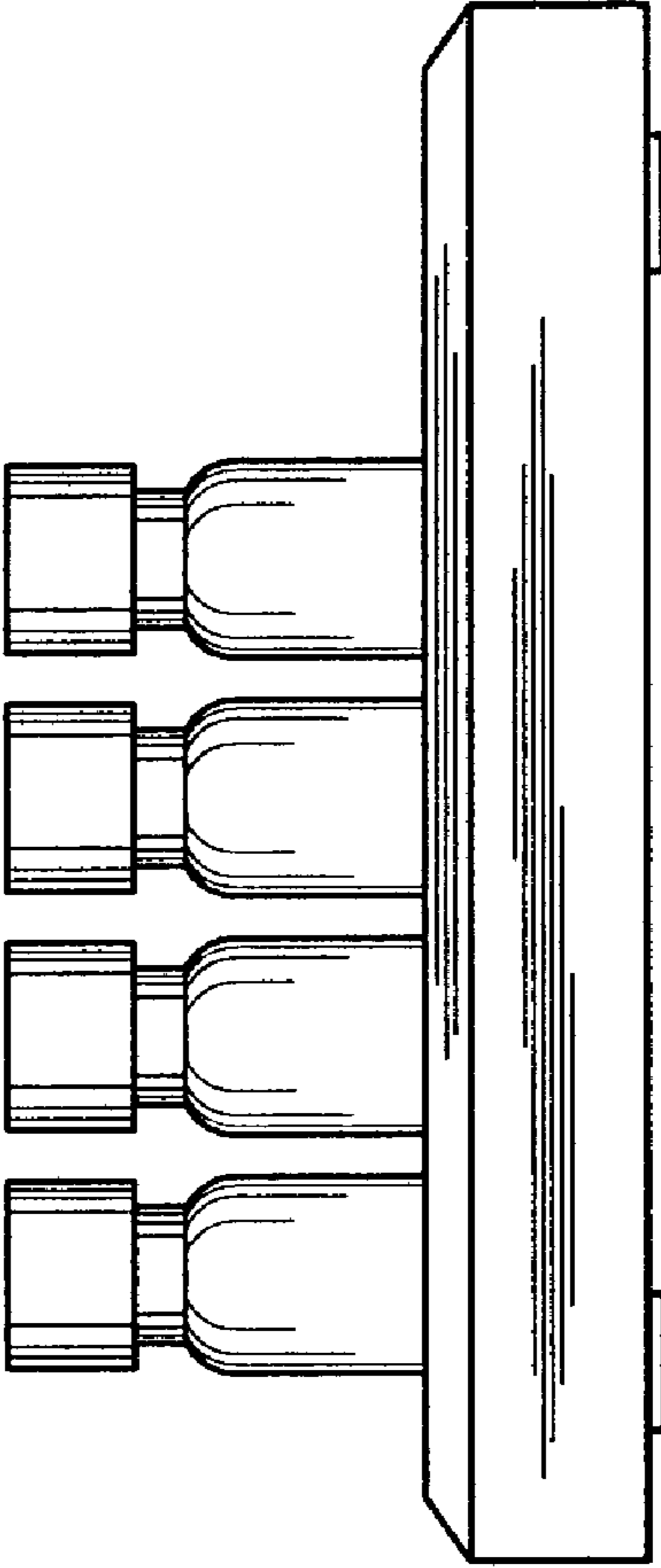


FIG. 7