



US00D638072S

(12) **United States Design Patent**
Schlangen

(10) **Patent No.:** **US D638,072 S**

(45) **Date of Patent:** **** May 17, 2011**

(54) **STEPPER BIKE**

(76) Inventor: **Phillip E. Schlangen**, Minneapolis, MN
(US)

(**) Term: **14 Years**

(21) Appl. No.: **29/370,157**

(22) Filed: **Jun. 14, 2010**

(51) **LOC (9) Cl.** **21-01**

(52) **U.S. Cl.** **D21/423**

(58) **Field of Classification Search** D21/419,
D21/421, 423, 424, 426, 433, 435, 533, 538,
D21/760, 765, 771; D12/107, 110–113,
D12/114, 117, 118–121; 280/87.01, 87.021,
280/87.041, 87.05, 221, 239, 263, 278, 282,
280/288.1–288.4; 180/180, 181
See application file for complete search history.

(56) **References Cited**

U.S. PATENT DOCUMENTS

2,707,112 A	4/1955	Ludwigson et al.
4,411,442 A	10/1983	Rills
5,368,321 A	11/1994	Berman et al.

6,716,141 B2	4/2004	Bhoopathy	
7,300,065 B2 *	11/2007	Tal	280/221
7,377,532 B2 *	5/2008	Bauce	280/221
D581,991 S *	12/2008	Armand et al.	D21/423

* cited by examiner

Primary Examiner — Lisa P Lichtenstein

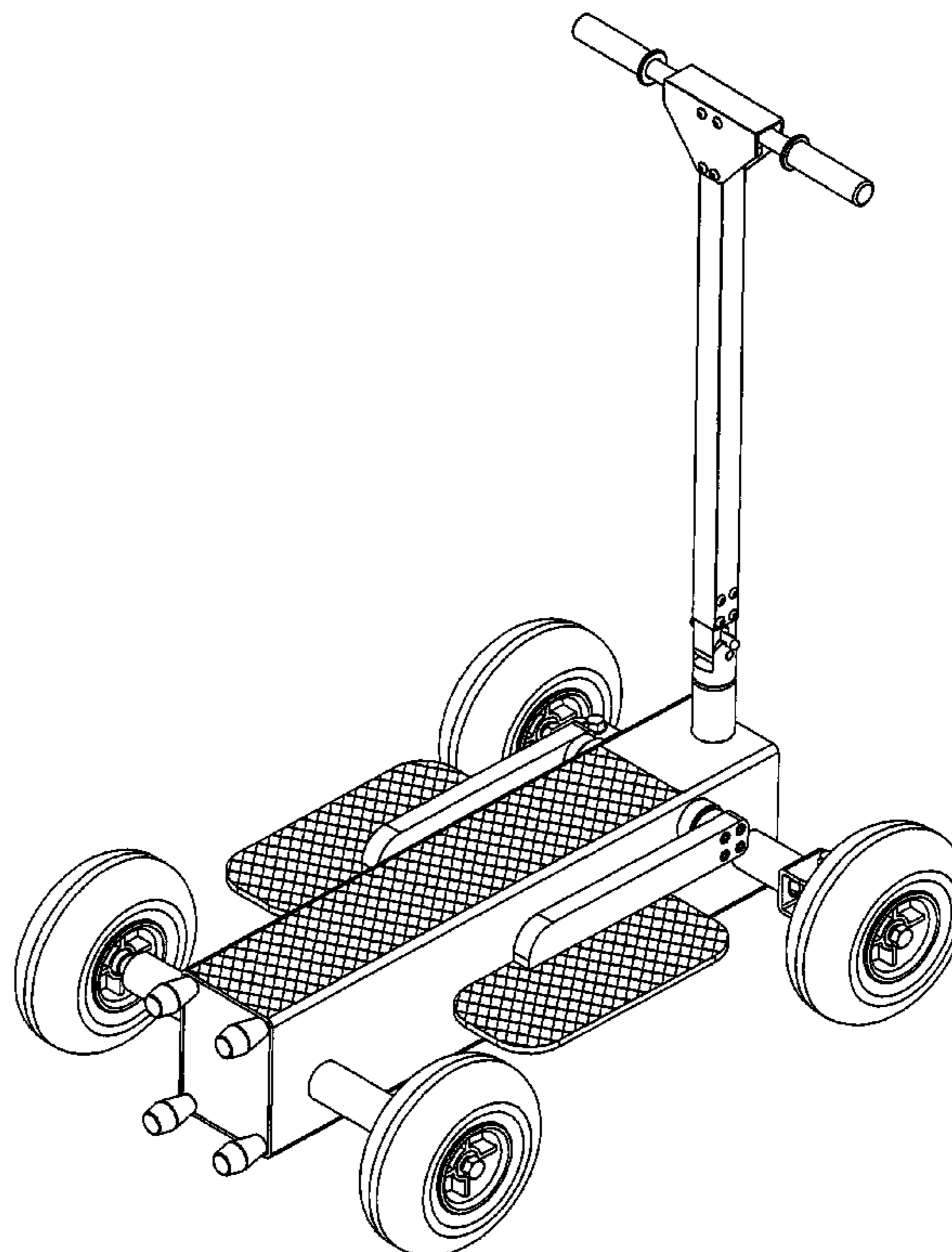
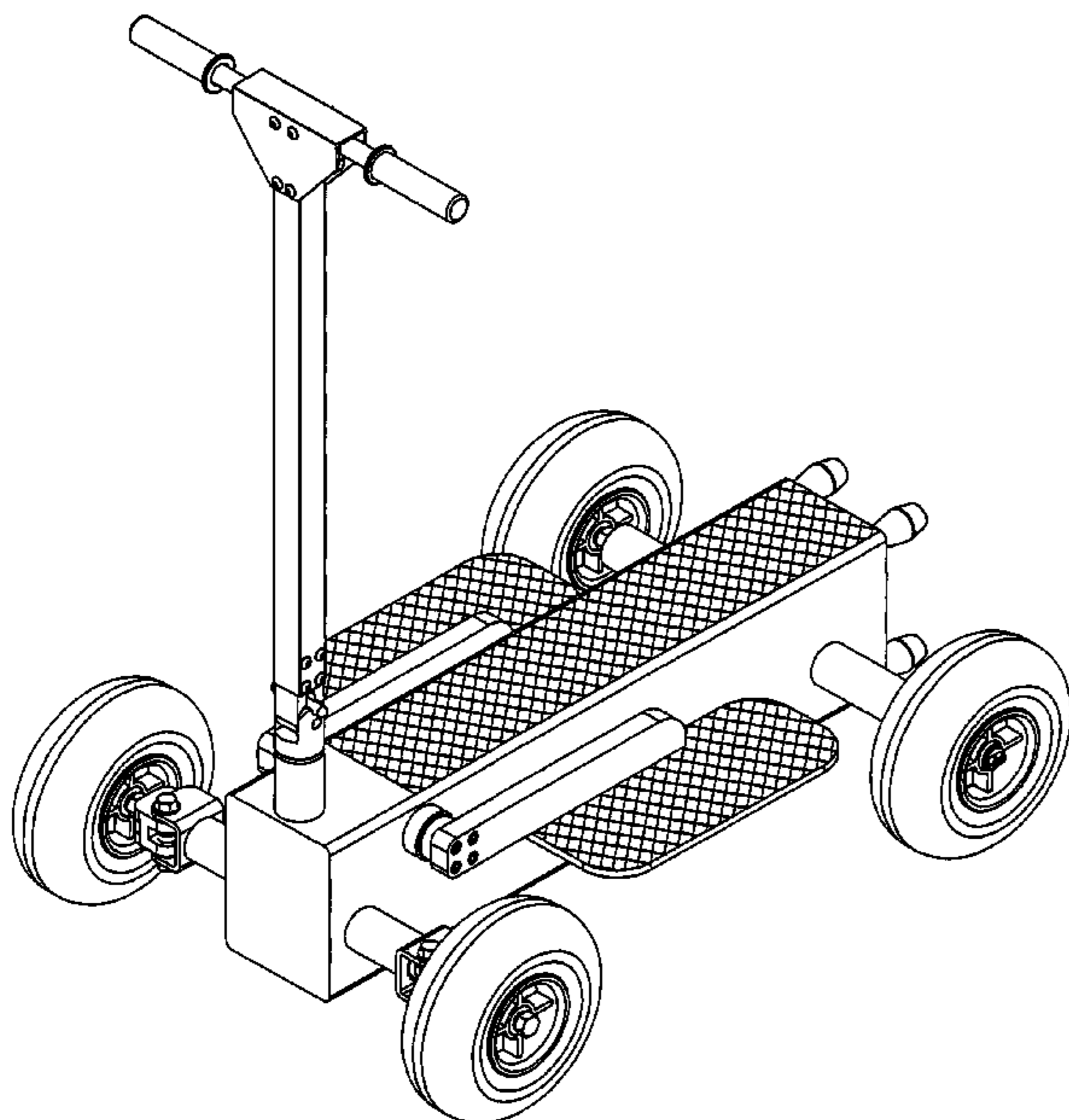
(57) **CLAIM**

I claim the ornamental design for a stepper bike, as shown and described.

DESCRIPTION

FIG. 1 is a front perspective view of the stepper bike of my design;
 FIG. 2 is a rear perspective view thereof;
 FIG. 3 is a side elevational view of the stepper bike of FIG. 1 in an upright standing position;
 FIG. 4 is a top plan view thereof;
 FIG. 5 is a front elevational view thereof;
 FIG. 6 is a rear elevational view thereof;
 FIG. 7 is a side elevational view of the left side thereof;
 FIG. 8 is a side elevational view of the right side thereof; and,
 FIG. 9 is a bottom plan view thereof.

1 Claim, 9 Drawing Sheets



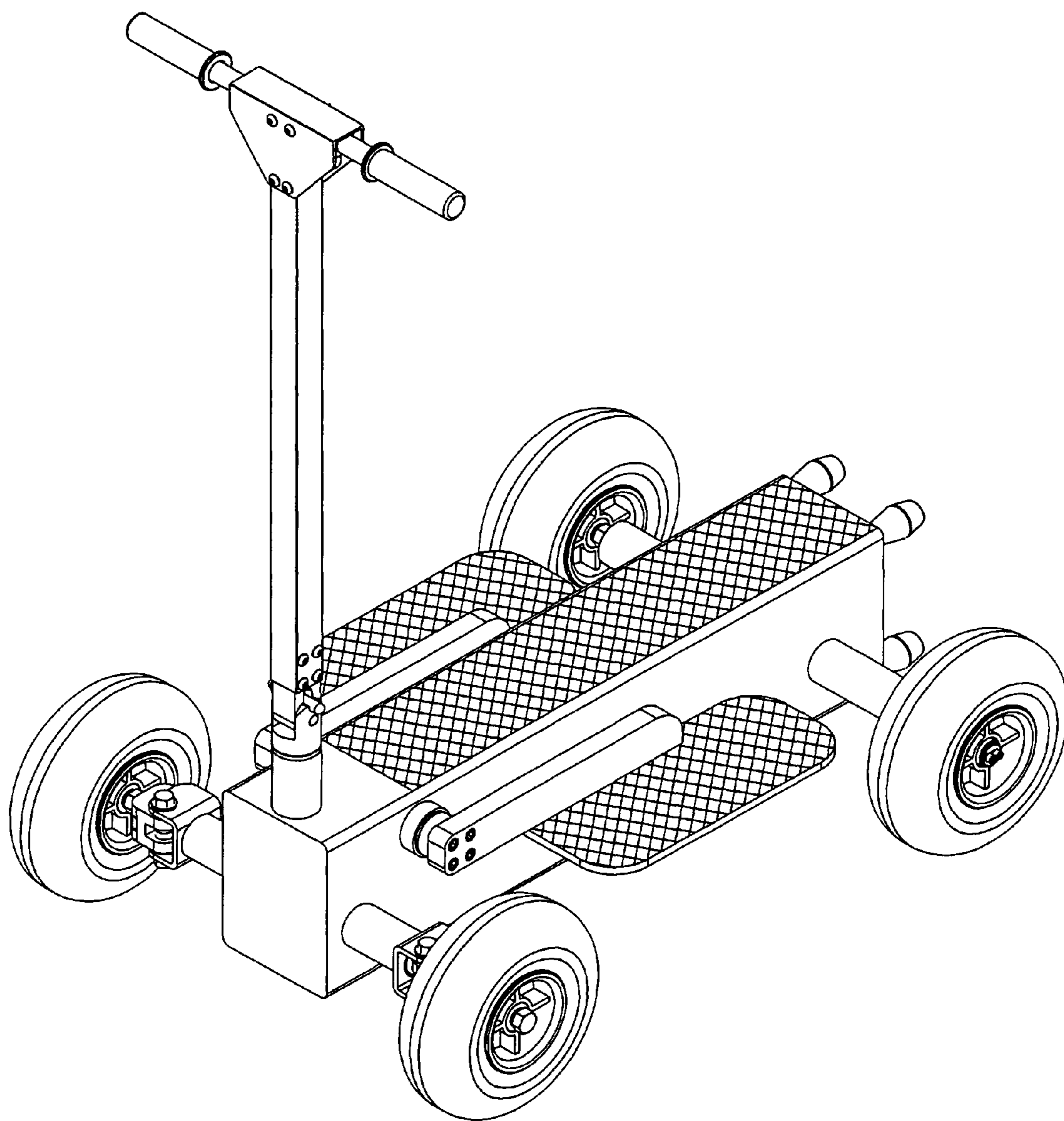


FIG. 1

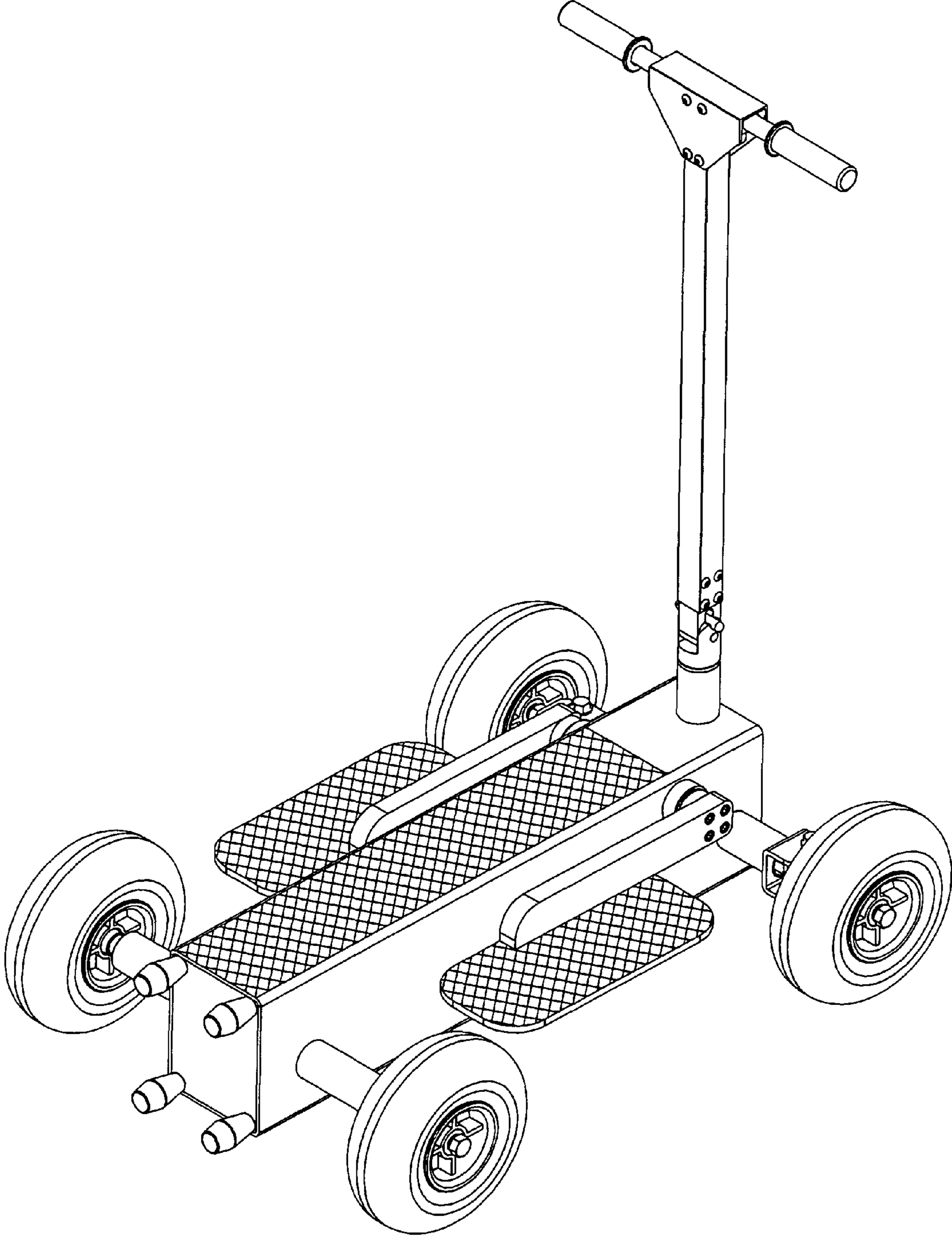


FIG. 2

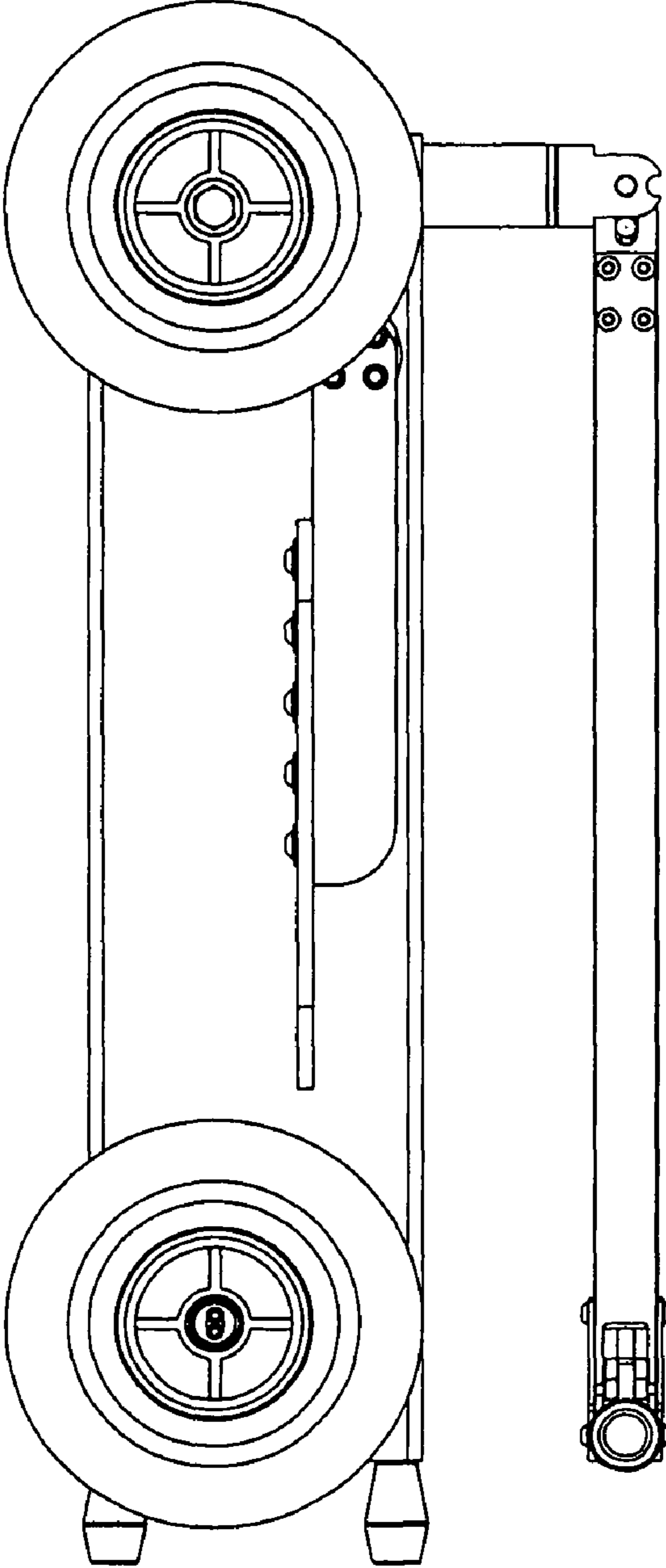


FIG.3

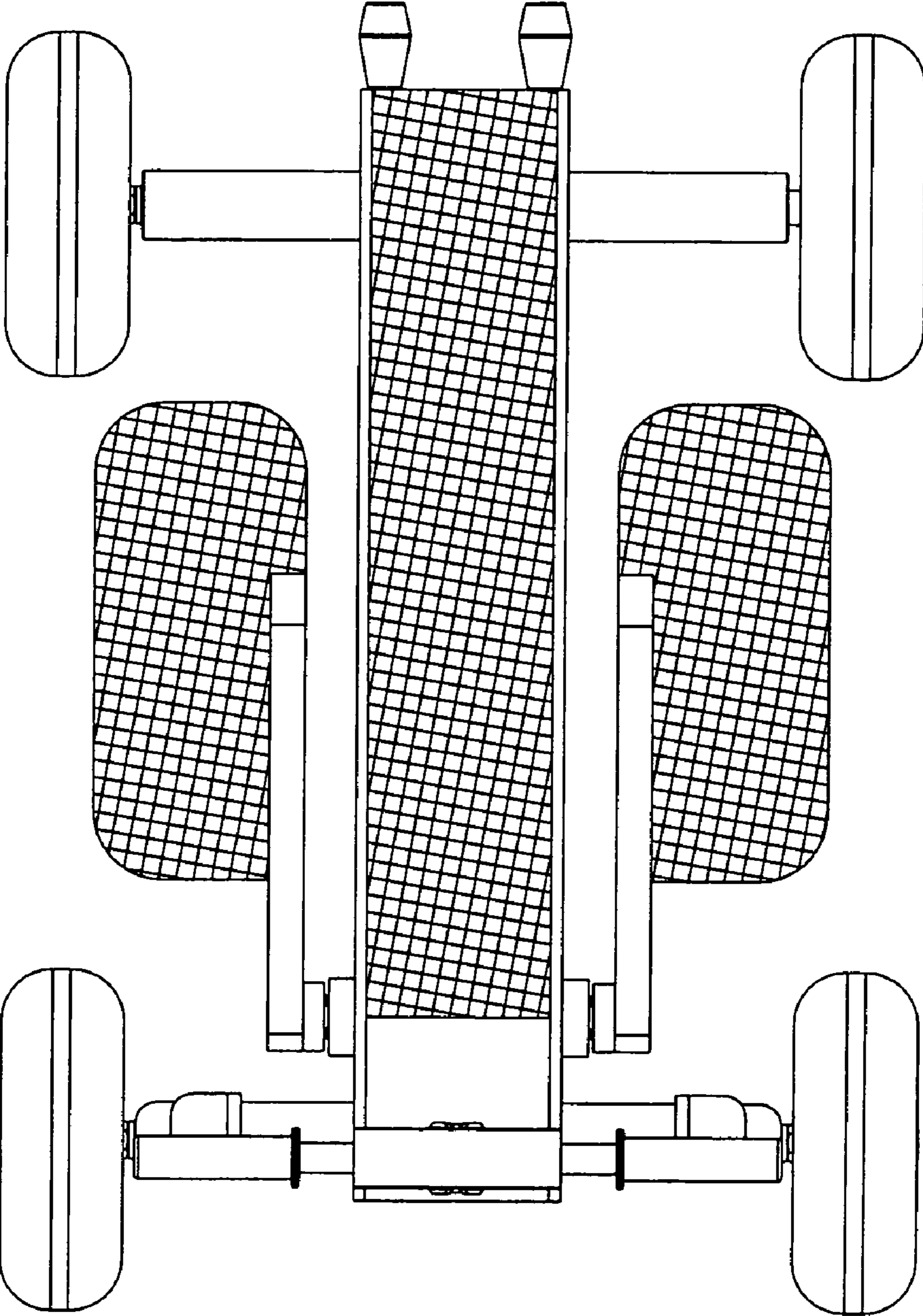


FIG.4

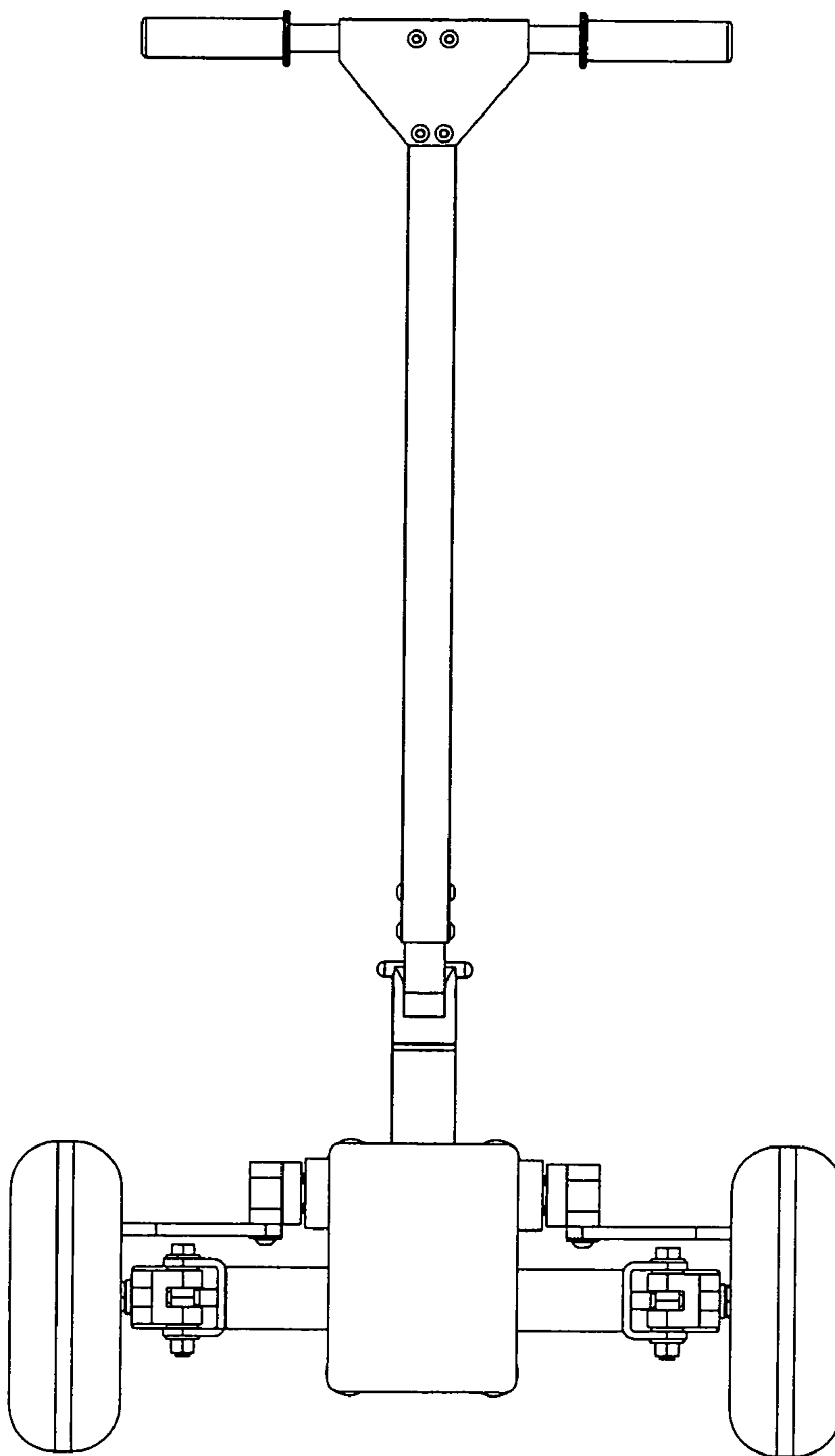


FIG.5

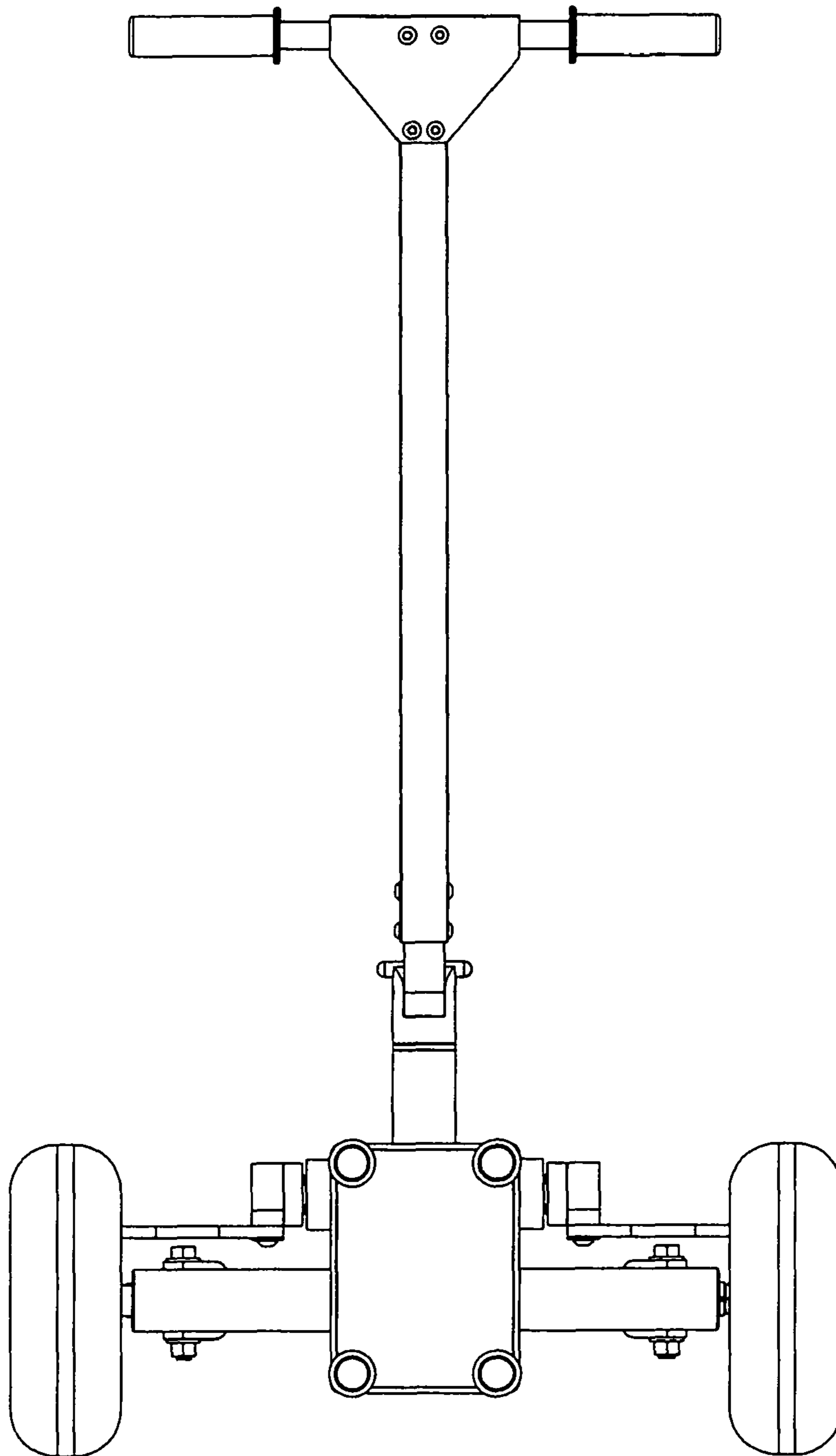


FIG.6

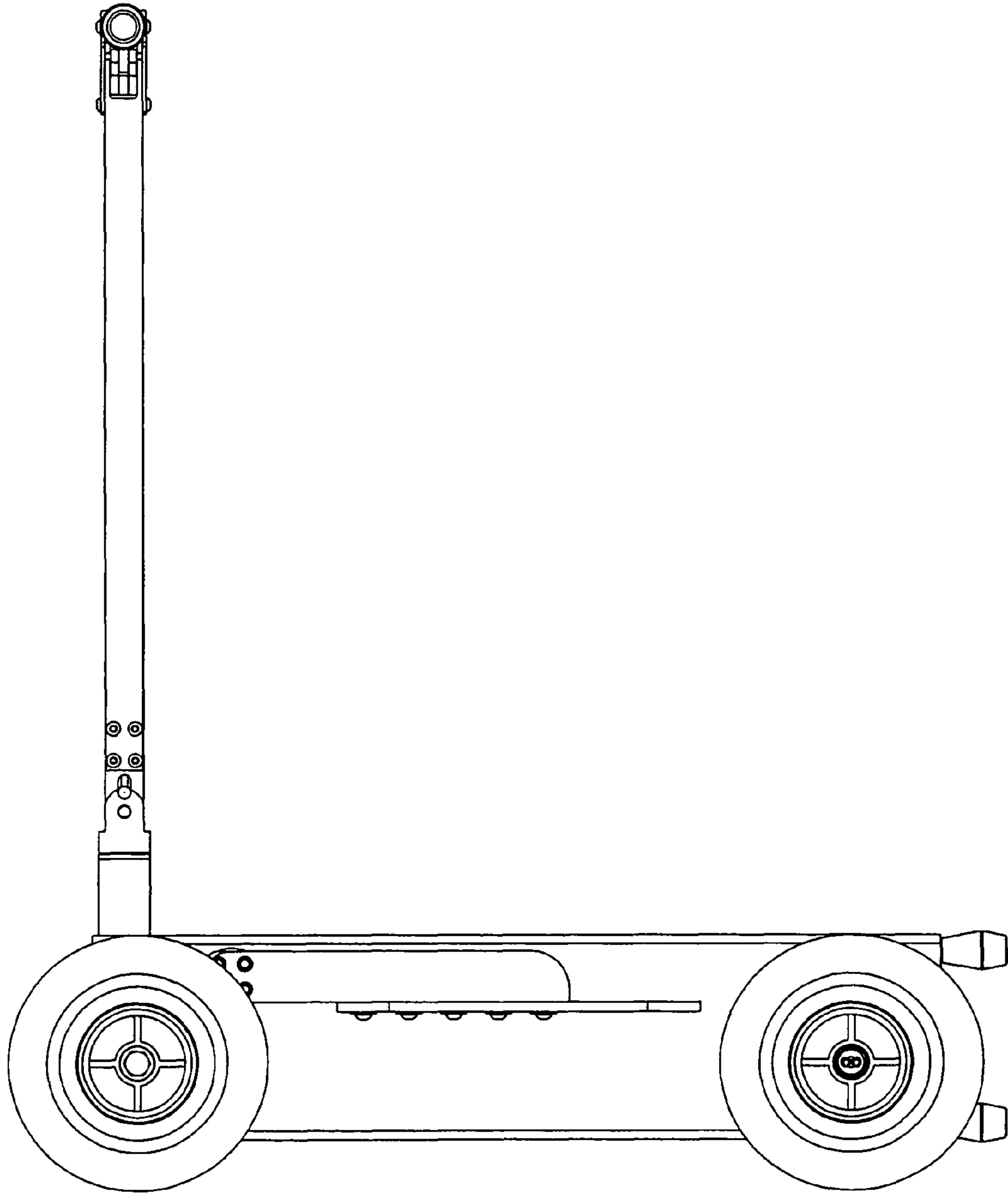


FIG. 7

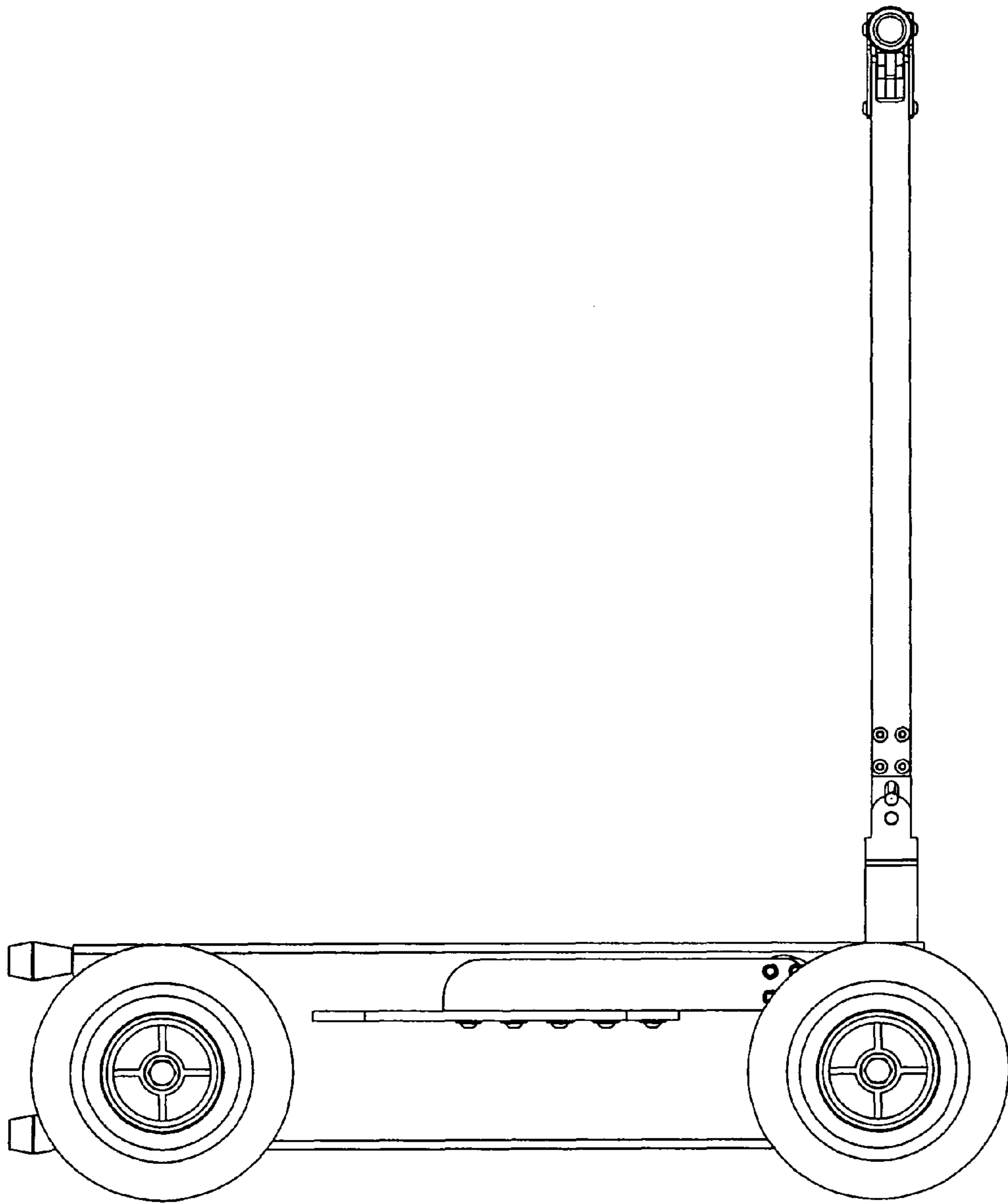


FIG. 8

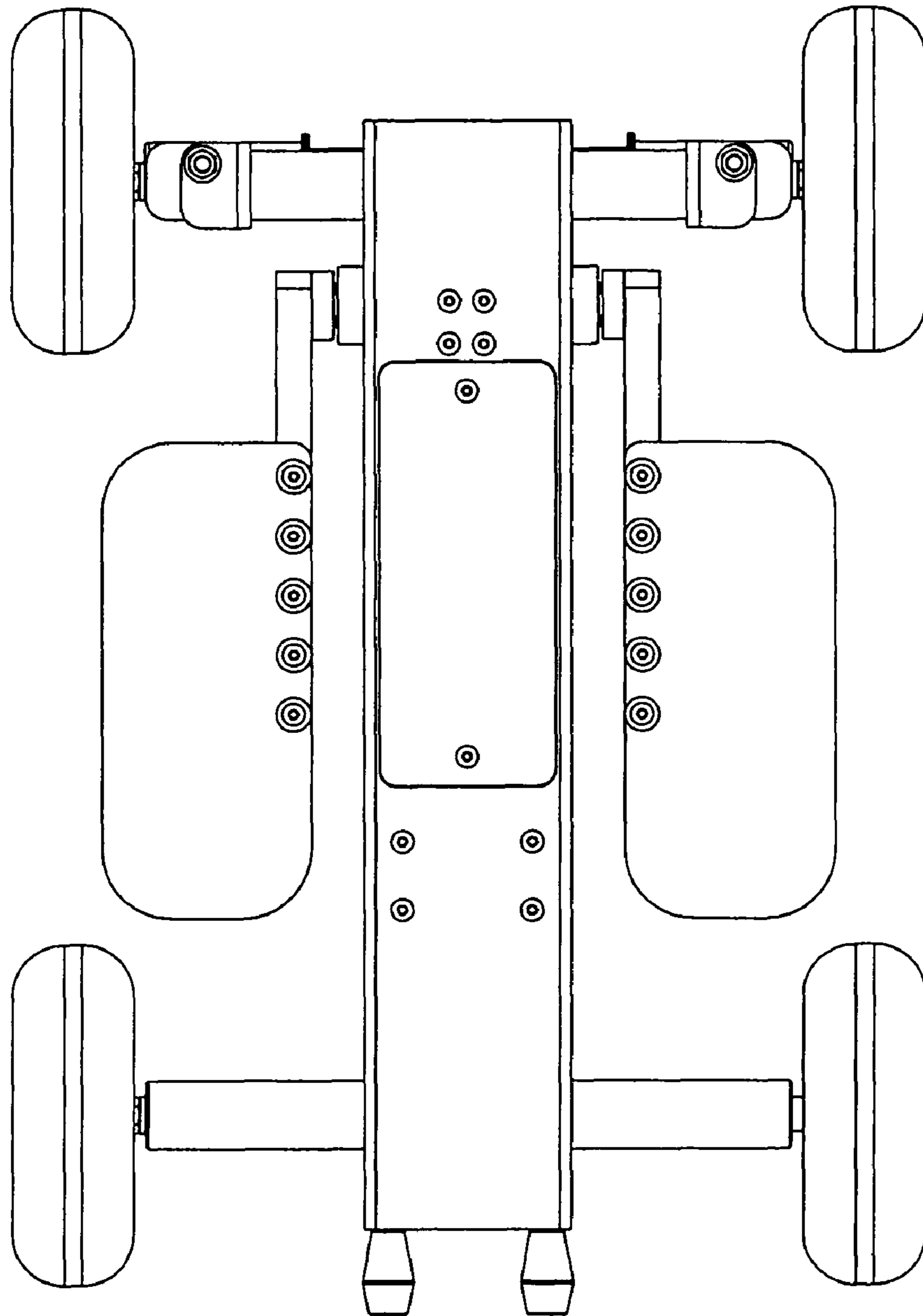


FIG. 9