

US00D638071S

(12) **United States Design Patent**  
**Tyler**

(10) **Patent No.:** **US D638,071 S**

(45) **Date of Patent:** **\*\* May 17, 2011**

(54) **BASKETBALL-SHAPED DIE AGITATOR CONTAINING A DIE**

(75) Inventor: **Chris Tyler**, Tustin, CA (US)

(73) Assignee: **World Sports Marketing, Inc.**, Tustin, CA (US)

(\*\*) Term: **14 Years**

(21) Appl. No.: **29/361,710**

(22) Filed: **May 13, 2010**

(51) **LOC (9) Cl.** ..... **21-01**

(52) **U.S. Cl.** ..... **D21/372**

(58) **Field of Classification Search** ..... D21/369,  
D21/371-373, 385, 713-714; 273/146, 148 R  
See application file for complete search history.

(56) **References Cited**

**U.S. PATENT DOCUMENTS**

D163,323	S	*	5/1951	Rioux	.....	D21/372
D248,986	S	*	8/1978	Nakata	.....	D21/713
D314,018	S	*	1/1991	Rosenthal	.....	D21/373
D410,038	S	*	5/1999	Golad et al.	.....	D21/373
D421,033	S		2/2000	Shirley et al.		
D435,602	S	*	12/2000	Podd et al.	.....	D21/329
D446,823	S	*	8/2001	Podd et al.	.....	D21/329
D505,688	S	*	5/2005	Allen	.....	D21/714
D608,840	S	*	1/2010	Crutchfield et al.	.....	D21/373

**OTHER PUBLICATIONS**

New York Yankees Magic 8 Ball; <http://www.amazon.com/New-York-Yankees-Magic-Ball/dp/b0009a0oys>; 2 pages; Aug. 25, 2010.

\* cited by examiner

*Primary Examiner* — Sandra Morris

(74) *Attorney, Agent, or Firm* — Knobbe Martens Olson & Bear LLP

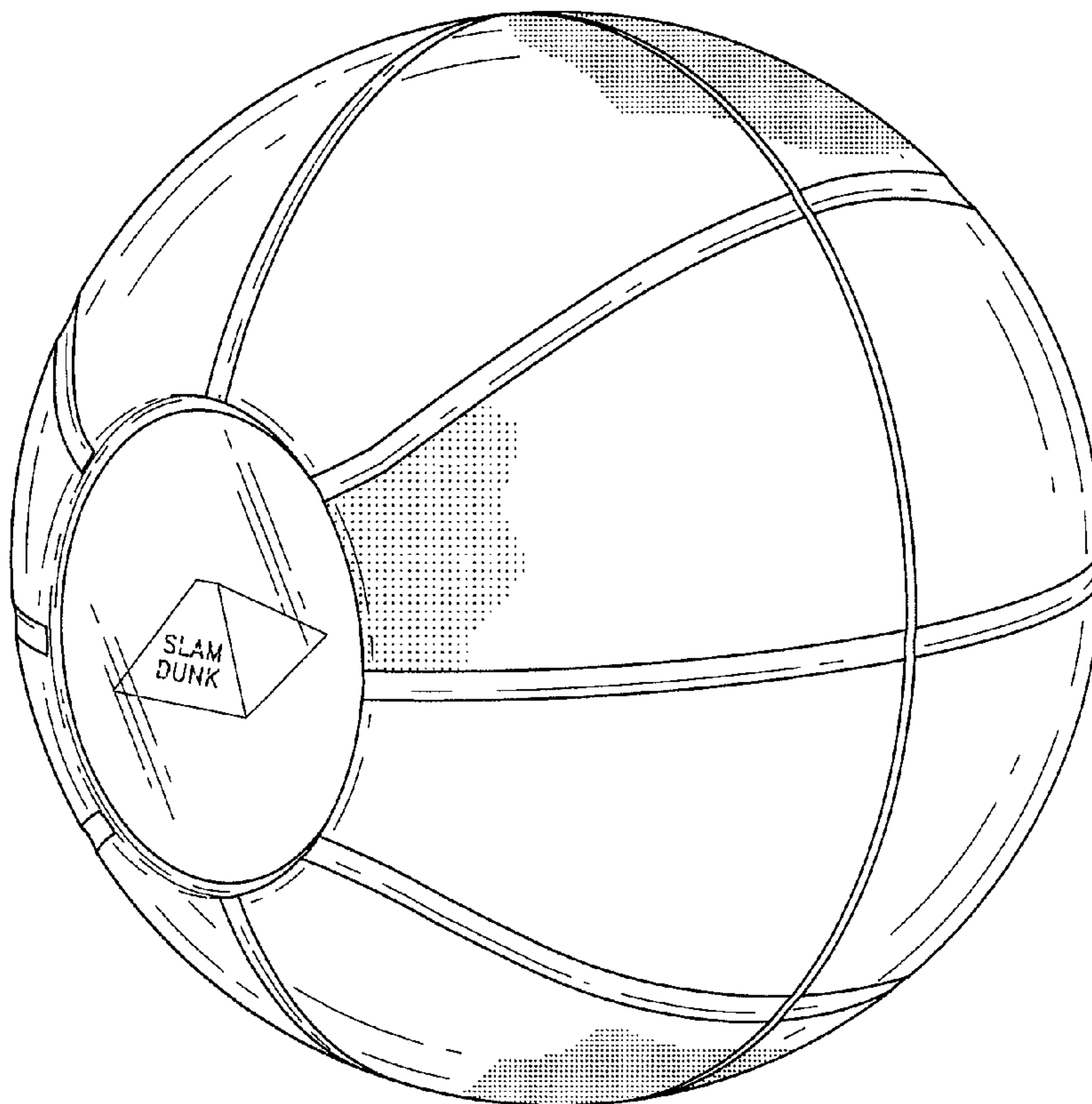
(57) **CLAIM**

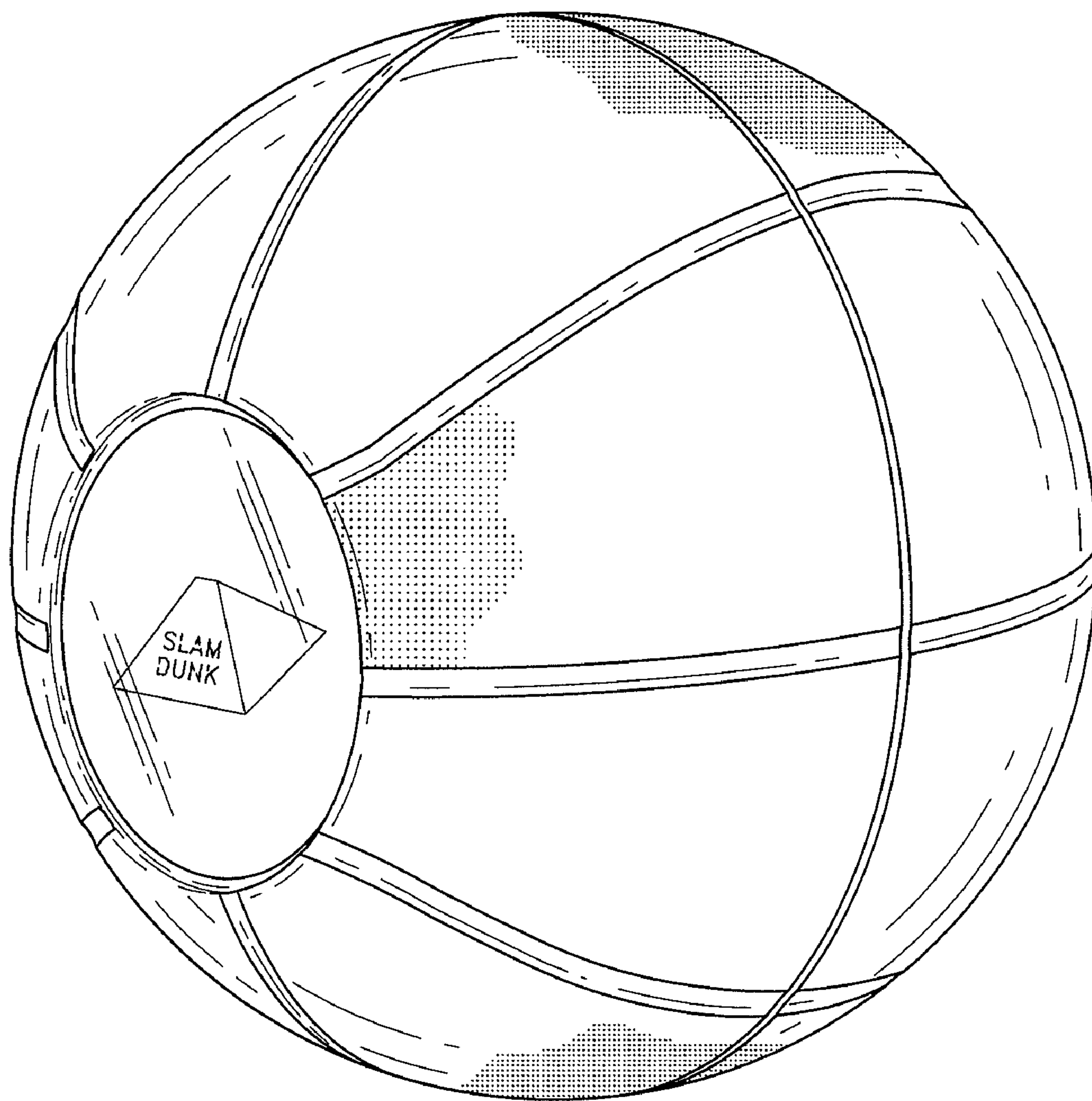
What is claimed is the ornamental design for a basketball-shaped die agitator containing a die, as shown and described.

**DESCRIPTION**

FIG. 1 is a front right perspective view of a basketball-shaped die agitator containing a die;  
FIG. 2 is a rear view thereof;  
FIG. 3 is a front view thereof;  
FIG. 4 is a right view thereof;  
FIG. 5 is a left view thereof;  
FIG. 6 is a top view thereof; and,  
FIG. 7 is a bottom view thereof.  
In the drawings, broken lines form no part of the claimed design.

**1 Claim, 2 Drawing Sheets**





*FIG. 1*

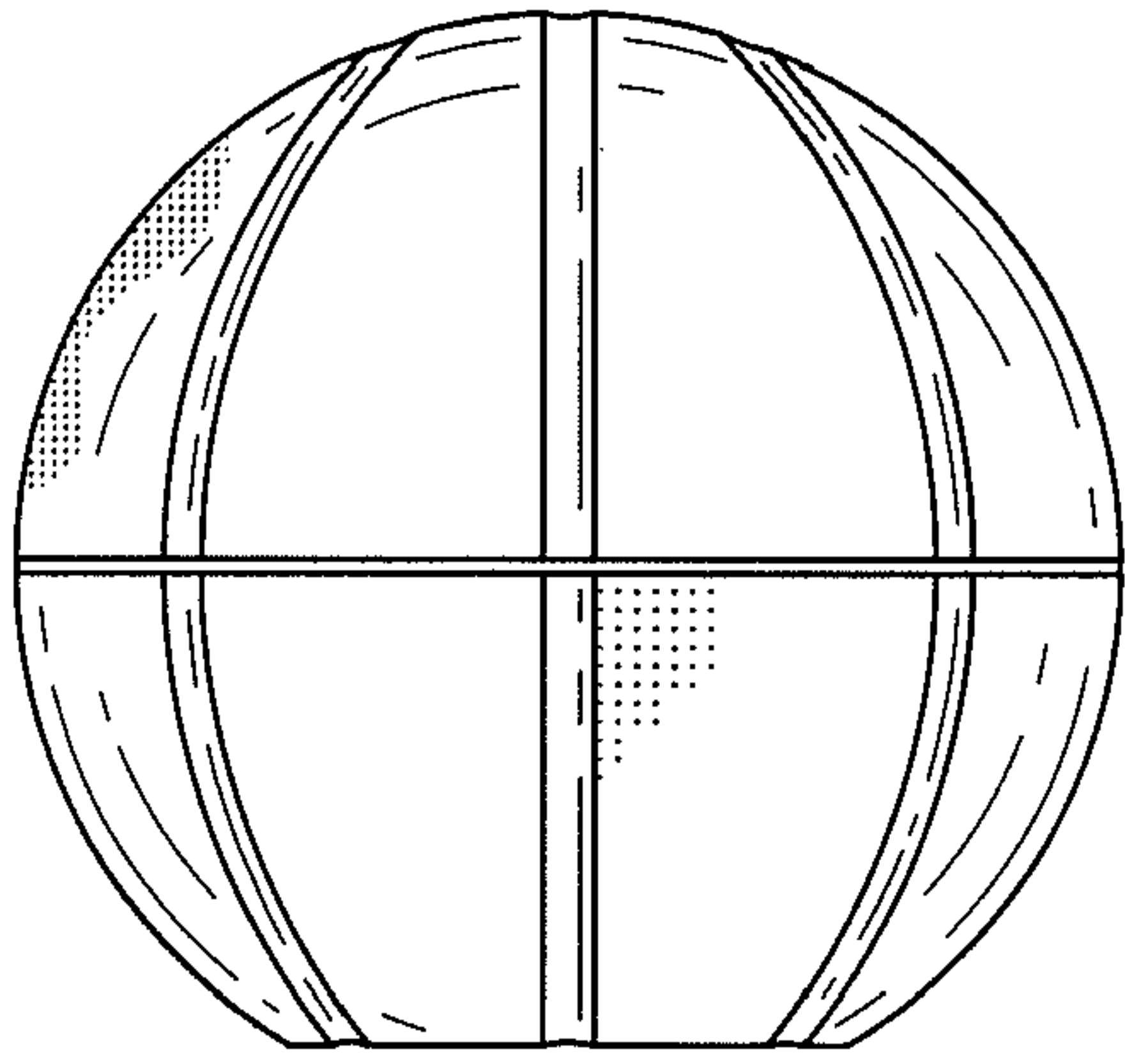


FIG. 2

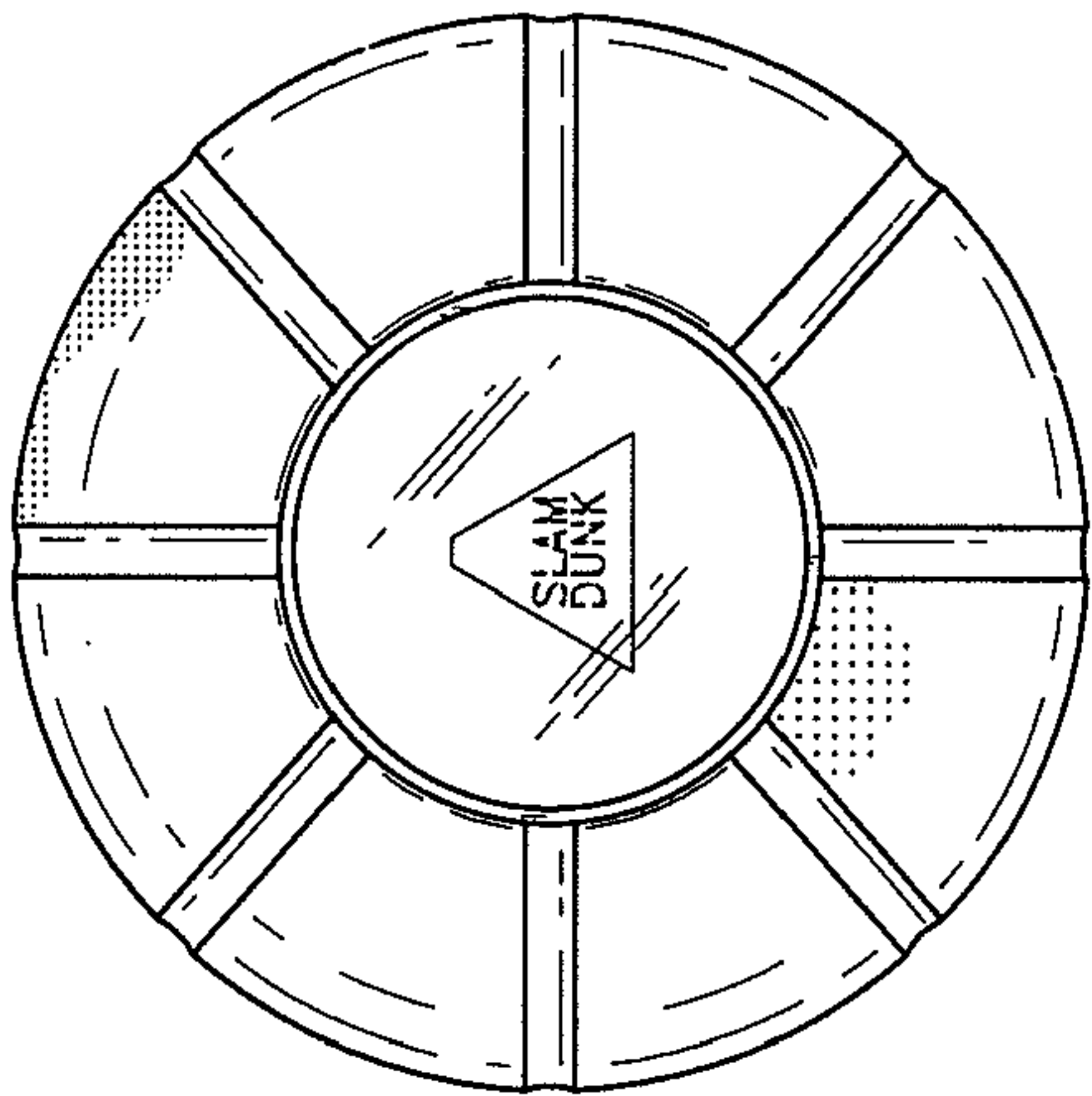


FIG. 3

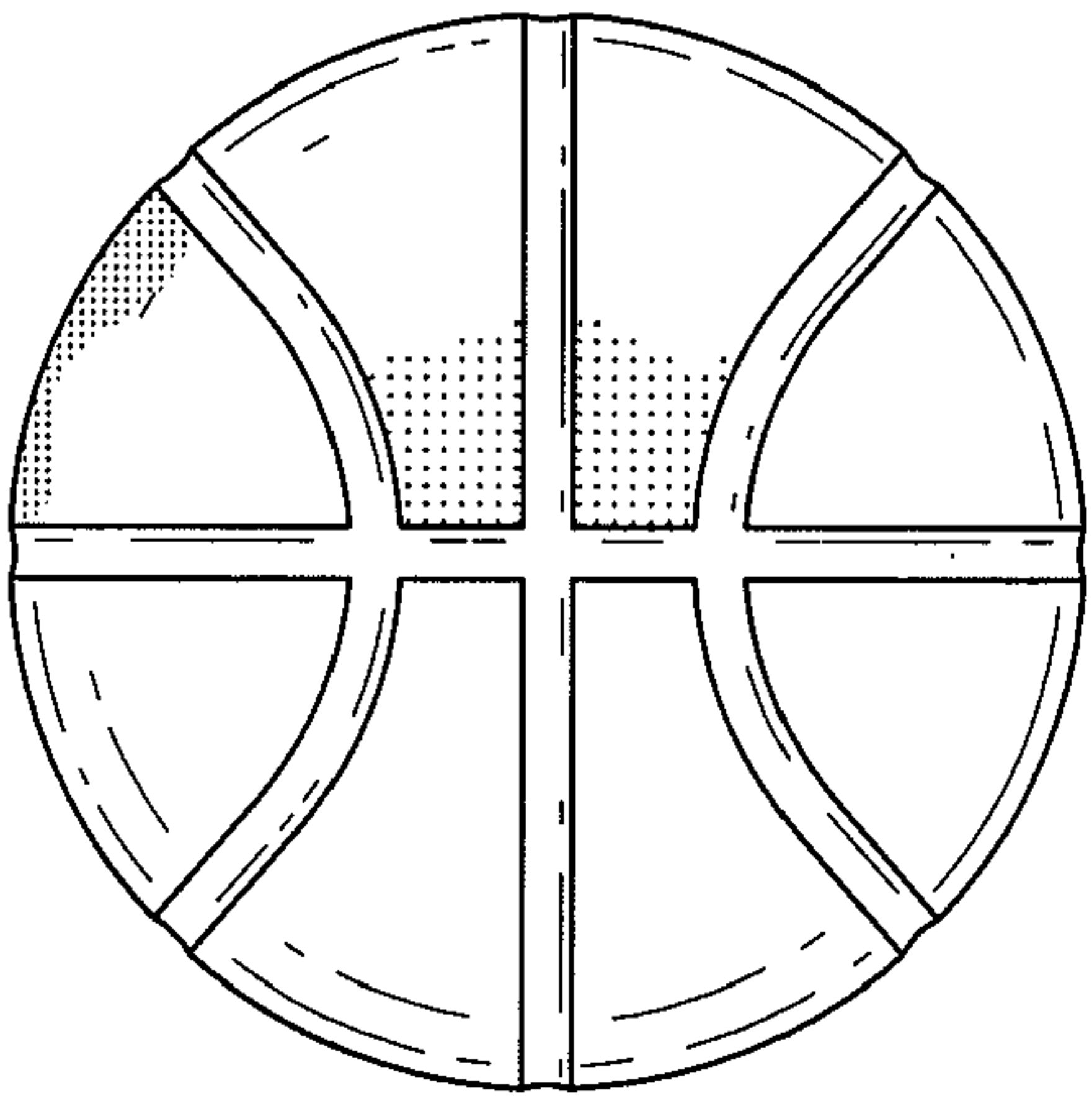


FIG. 4

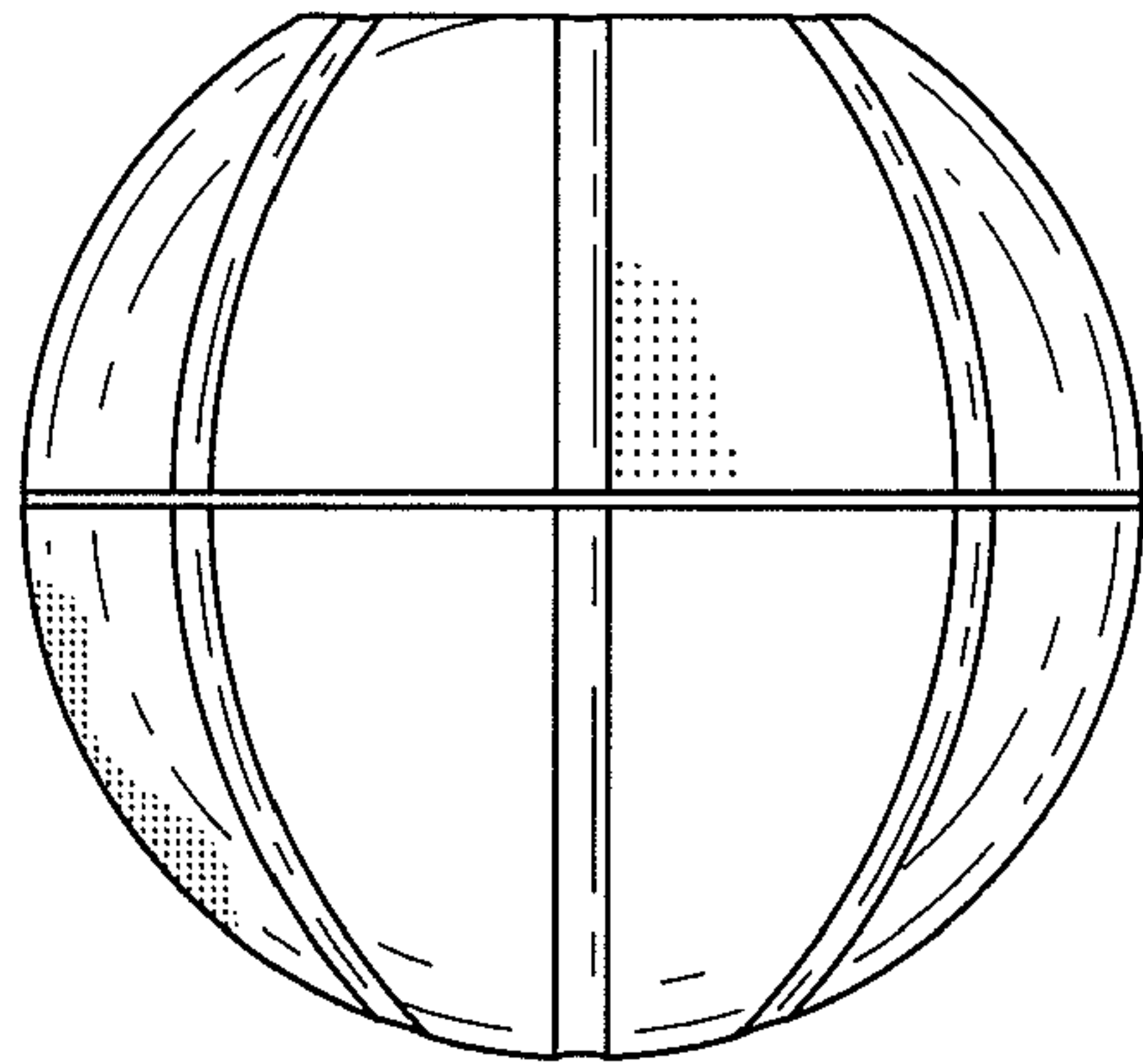


FIG. 5

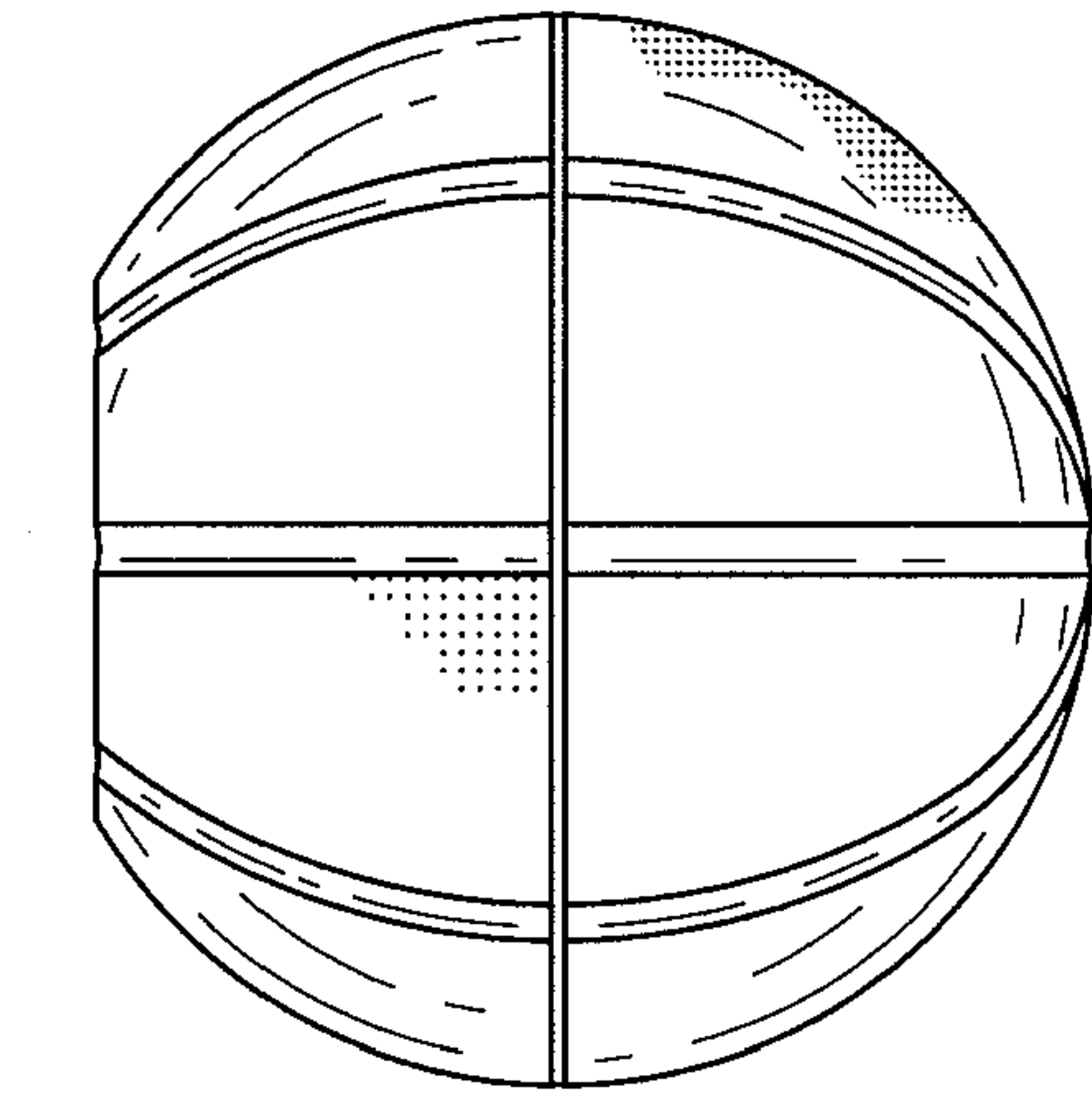


FIG. 6

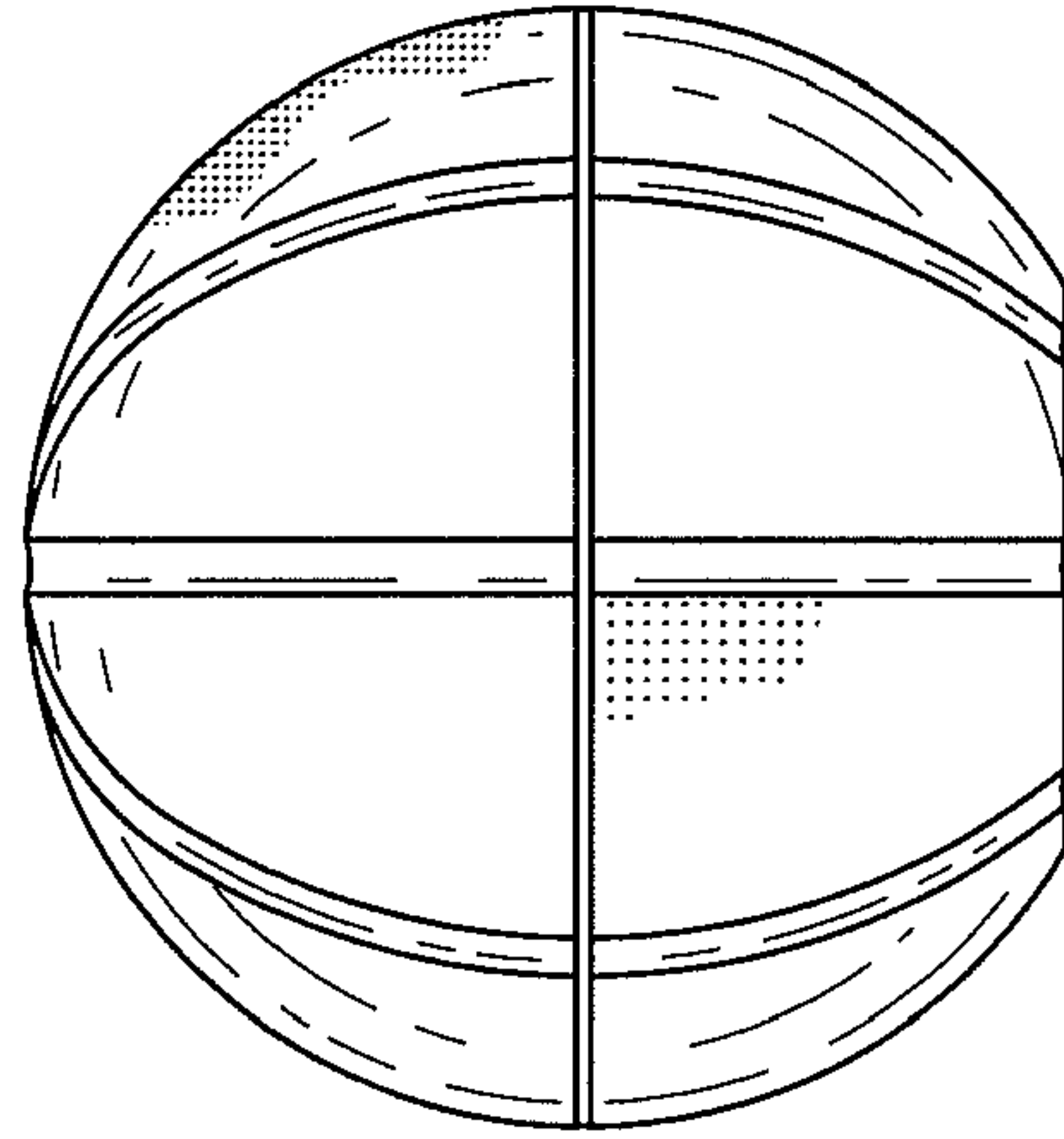


FIG. 7