



US00D638068S

(12) **United States Design Patent**  
**Block**

(10) **Patent No.:** **US D638,068 S**

(45) **Date of Patent:** **\*\* May 17, 2011**

(54) **VIDEO GAME CONTROLLER TABLE  
TENNIS ACCESSORY**

(75) Inventor: **Gerard Lambert Block**, West  
Hollywood, CA (US)

(73) Assignee: **Performance Designed Products LLC**,  
Sherman Oaks, CA (US)

(\*\*) Term: **14 Years**

(21) Appl. No.: **29/357,245**

(22) Filed: **Mar. 9, 2010**

(51) **LOC (9) Cl.** ..... **21-01**

(52) **U.S. Cl.** ..... **D21/333; D21/324**

(58) **Field of Classification Search** ..... D21/324-333,  
D21/729; D14/496, 440, 401, 454; 273/148 B,  
273/317.1, 108.1, 461; 463/1, 2, 29-35,  
463/46; 345/156, 905

See application file for complete search history.

(56) **References Cited**

**U.S. PATENT DOCUMENTS**

5,232,223	A *	8/1993	Dornbusch	.....	463/37
D394,094	S *	5/1998	Davis et al.	.....	D21/729
D423,599	S *	4/2000	Au Yeung	.....	D21/324
6,086,478	A *	7/2000	Klitsner et al.	.....	463/35
D450,766	S *	11/2001	Rosenbaum	.....	D19/36

D453,030	S *	1/2002	Lutchen et al.	.....	D21/329
D463,501	S *	9/2002	Isetani et al.	.....	D21/324
D476,377	S *	6/2003	Klitsner et al.	.....	D21/329
6,811,491	B1 *	11/2004	Levenberg et al.	.....	463/47
D583,875	S *	12/2008	Roberts	.....	D21/324
D589,567	S *	3/2009	Roberts	.....	D21/324
D590,893	S *	4/2009	Roberts	.....	D21/324
2005/0017454	A1 *	1/2005	Endo et al.	.....	273/317.1

\* cited by examiner

*Primary Examiner* — Prabhakar Deshmukh

(74) *Attorney, Agent, or Firm* — Sheppard Mullin Richter & Hampton LLP

(57) **CLAIM**

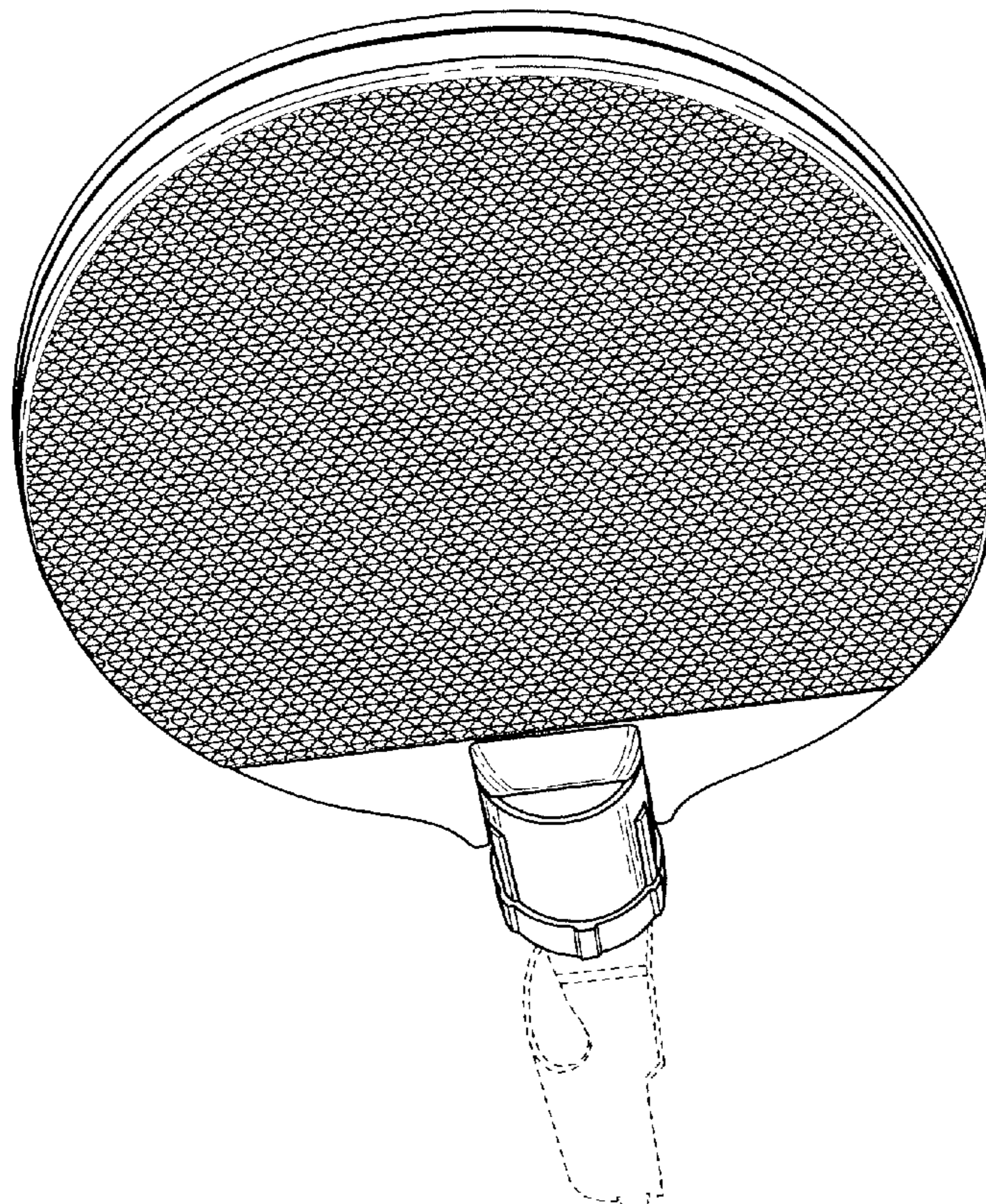
The ornamental design for a video game controller table tennis accessory, as shown and described.

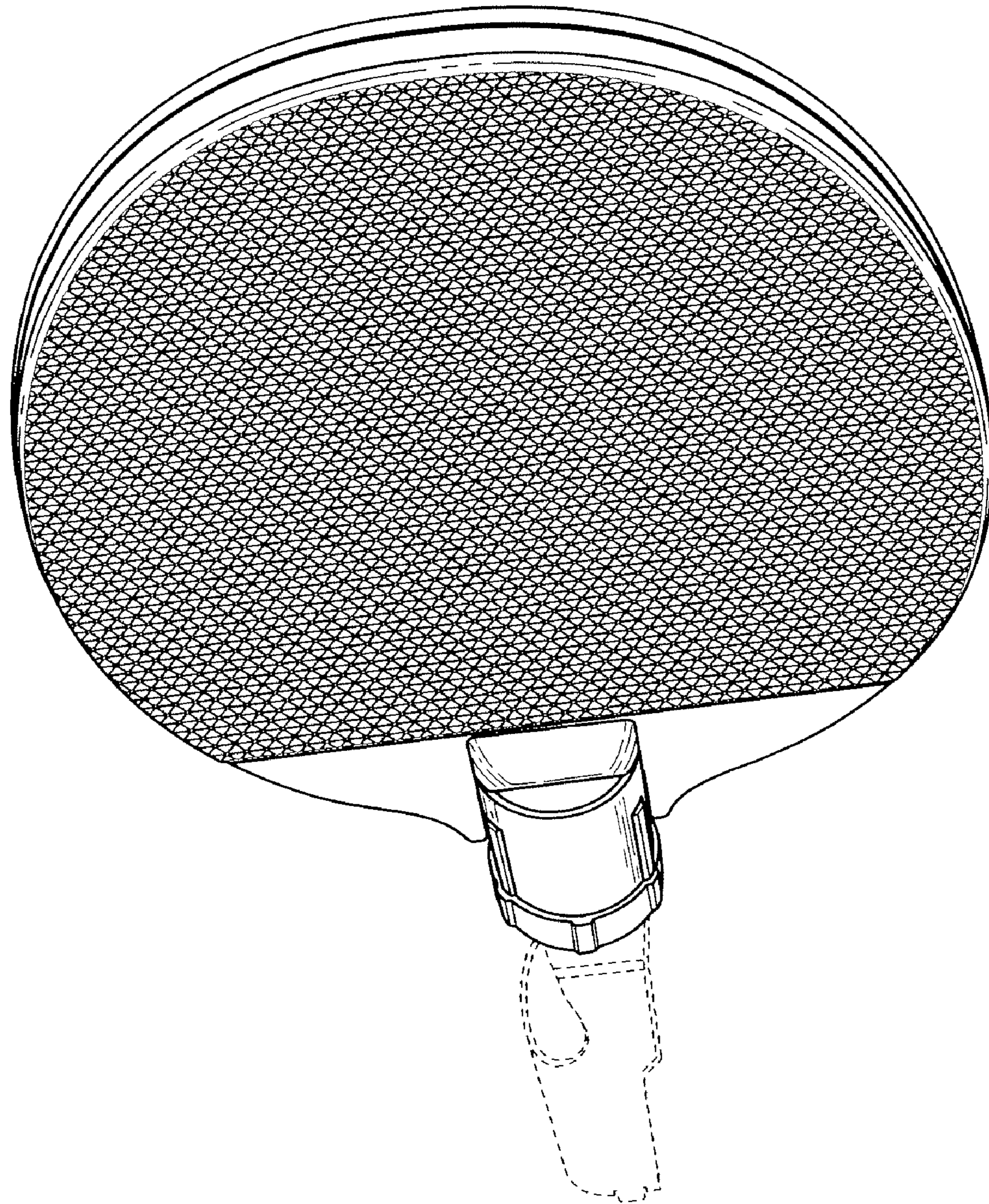
**DESCRIPTION**

FIG. 1 is a perspective view of a video game controller tennis accessory showing my new design;  
FIG. 2 is a front elevational view thereof;  
FIG. 3 is a rear elevational view thereof;  
FIG. 4 is a right side elevational view thereof;  
FIG. 5 is a left side elevational view thereof;  
FIG. 6 is atop plan view thereof; and,  
FIG. 7 is a bottom plan view thereof.

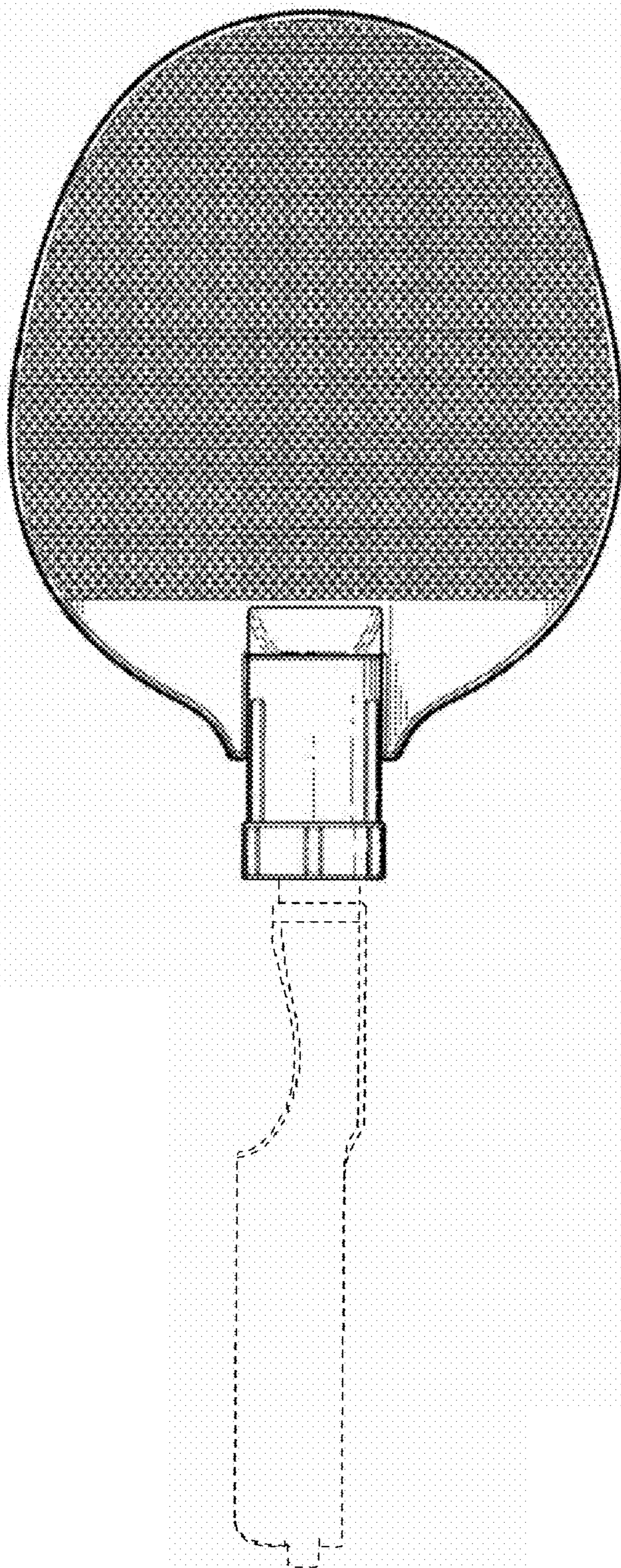
The broken lines illustrate the portions of the design that form no part of the claimed design.

**1 Claim, 5 Drawing Sheets**

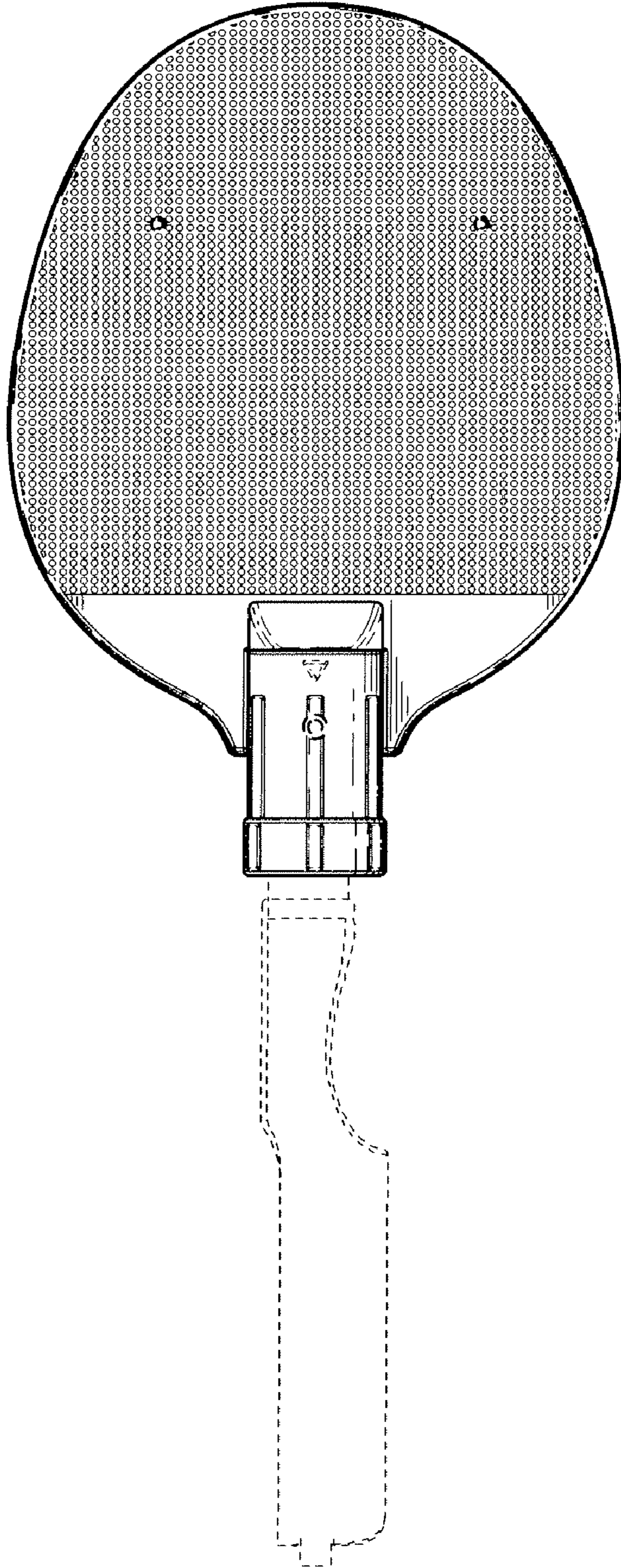




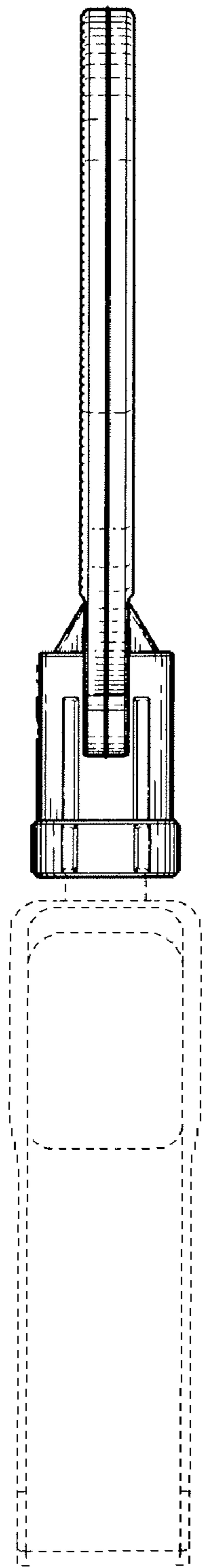
**FIG. 1**



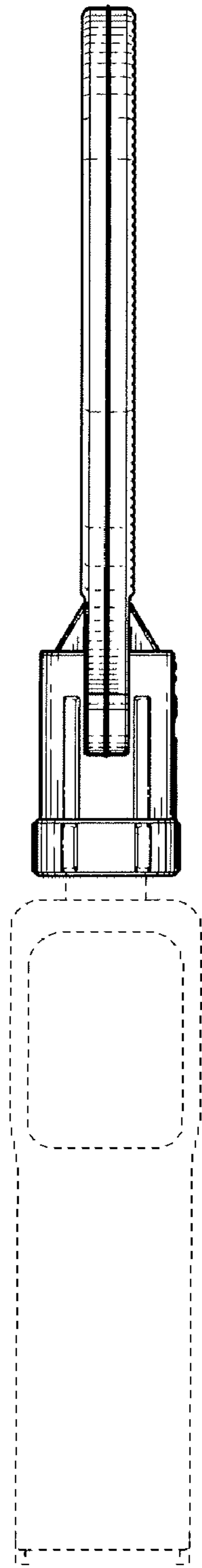
**FIG. 2**



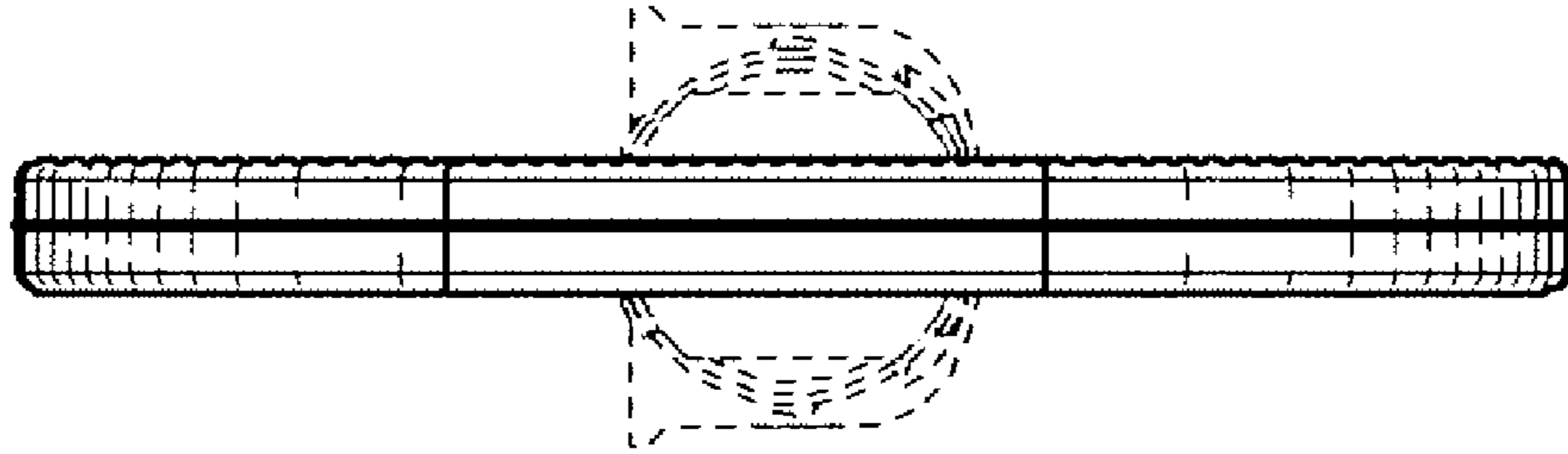
**FIG. 3**



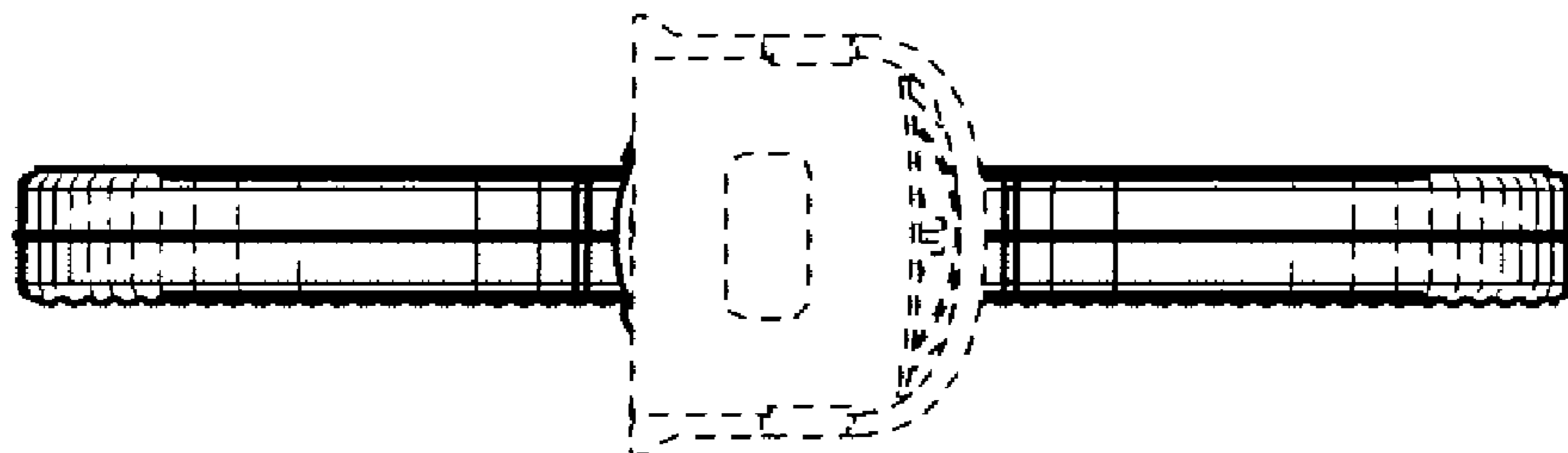
**FIG. 4**



**FIG. 5**



**FIG. 6**



**FIG. 7**