



US00D638067S

(12) **United States Design Patent**
Suetake et al.

(10) **Patent No.:** **US D638,067 S**

(45) **Date of Patent:** **** May 17, 2011**

(54) **CONTROLLER COVER**

(75) Inventors: **Fumiyoshi Suetake**, Kyoto (JP);
Noboru Wakitani, Kyoto (JP); **Junji Takamoto**, Kyoto (JP); **Masato Ibuki**, Kyoto (JP)

(73) Assignee: **Nintendo Co., Ltd.**, Kyoto (JP)

(**) Term: **14 Years**

(21) Appl. No.: **29/330,358**

(22) Filed: **Jan. 6, 2009**

(30) **Foreign Application Priority Data**

Jul. 7, 2008 (JP) 2008-017376

(51) **LOC (9) Cl.** **21-01**

(52) **U.S. Cl.** **D21/333; D14/454**

(58) **Field of Classification Search** D14/454,
D14/432, 299, 250, 249, 251, 218, 400, 401,
D14/415; D21/333; 273/148 B; 463/47;
D3/218; 206/701, 315.1, 320, 521, 687,
206/590, 592; 224/929, 930; 150/154, 165

See application file for complete search history.

(56) **References Cited**

U.S. PATENT DOCUMENTS

3,473,682	A	10/1969	Studen	
3,738,529	A	6/1973	Rose	
4,399,668	A	8/1983	Williamson	
4,733,776	A	3/1988	Ward	
4,836,256	A	6/1989	Meliconi	
4,925,149	A	5/1990	DiFrancesca et al.	
5,014,868	A	5/1991	Wittig et al.	
5,046,739	A	9/1991	Reichow	
D337,435	S *	7/1993	Kaneko et al.	D3/218
D338,053	S	8/1993	Underhill et al.	
5,265,720	A	11/1993	Meliconi	
5,360,108	A	11/1994	Alagia	
5,392,920	A	2/1995	Prete	
D357,918	S	5/1995	Doria	
5,648,757	A	7/1997	Vernace et al.	

D397,246	S *	8/1998	Hoofnagle et al.	D3/201
5,931,434	A	8/1999	Rodriguez	
D448,761	S *	10/2001	Powell	D14/250
D459,346	S *	6/2002	Powell	D14/250
6,471,056	B1 *	10/2002	Tzeng	206/320
6,616,111	B1	9/2003	White	
D485,834	S *	1/2004	Davetas	D14/250
6,839,034	B2	1/2005	Shimura	
7,050,841	B1	5/2006	Onda	
D540,539	S *	4/2007	Gutierrez	D3/269
D547,056	S *	7/2007	Griffin et al.	D3/218

(Continued)

OTHER PUBLICATIONS

WiiMotion Plus Fine Tunes Wii Controller, Jul. 15 2008, <http://www.digitaltrends.com/e3/wiimotion-plus-fine-tunes-wii-controller/>. *
Pending U.S. Appl. No. 29/293,947, filed Dec. 19, 2007.

Primary Examiner — Angela Lee

(74) *Attorney, Agent, or Firm* — Nixon & Vanderhye, P.C.

(57) **CLAIM**

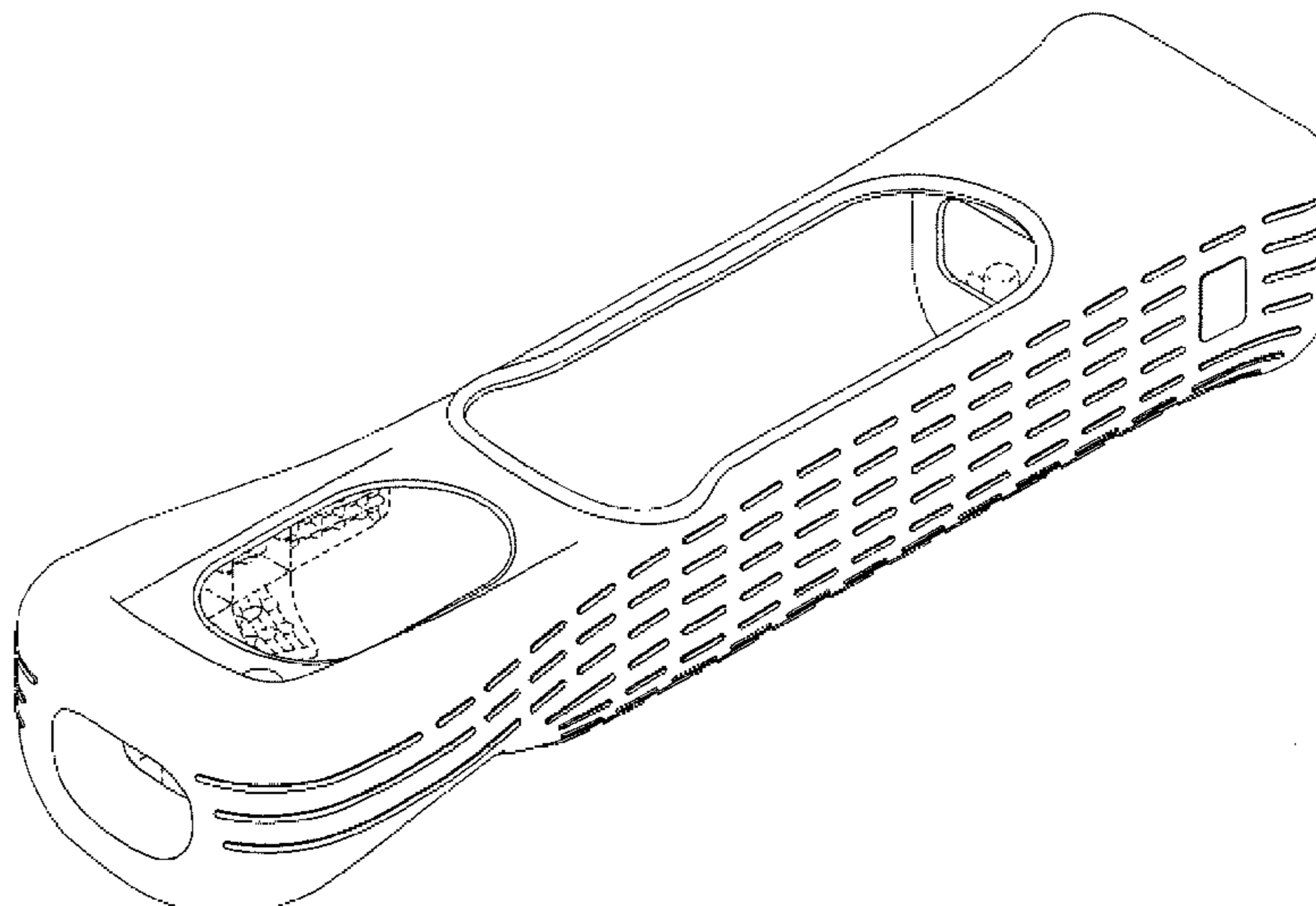
The ornamental design for a controller cover, as shown and described.

DESCRIPTION

FIG. 1 is a front, top and left perspective view of a controller cover showing our new design;
FIG. 2 is a rear, bottom and right perspective view thereof;
FIG. 3 is a front view thereof;
FIG. 4 is a rear view thereof;
FIG. 5 is a top plan view thereof;
FIG. 6 is a bottom plan view thereof;
FIG. 7 is a right side view thereof;
FIG. 8 is a left side view thereof; and,
FIG. 9 is a front view of the controller cover showing the controller cover in use where the controller is shown in broken lines.

The subject matter shown in broken lines in FIGS. 1-3 and 9 forms no part of the claim design.

1 Claim, 4 Drawing Sheets



US D638,067 S

Page 2

U.S. PATENT DOCUMENTS

D558,972 S *	1/2008	Oh	D3/201	D619,178 S *	7/2010	Ashida et al.	D21/333
D614,517 S *	4/2010	Janky et al.	D10/80	2005/0116334 A1	6/2005	Buehler		
D616,037 S *	5/2010	Navid et al.	D21/333	2009/0038721 A1*	2/2009	Wakitani et al.	150/154

* cited by examiner

FIG. 1

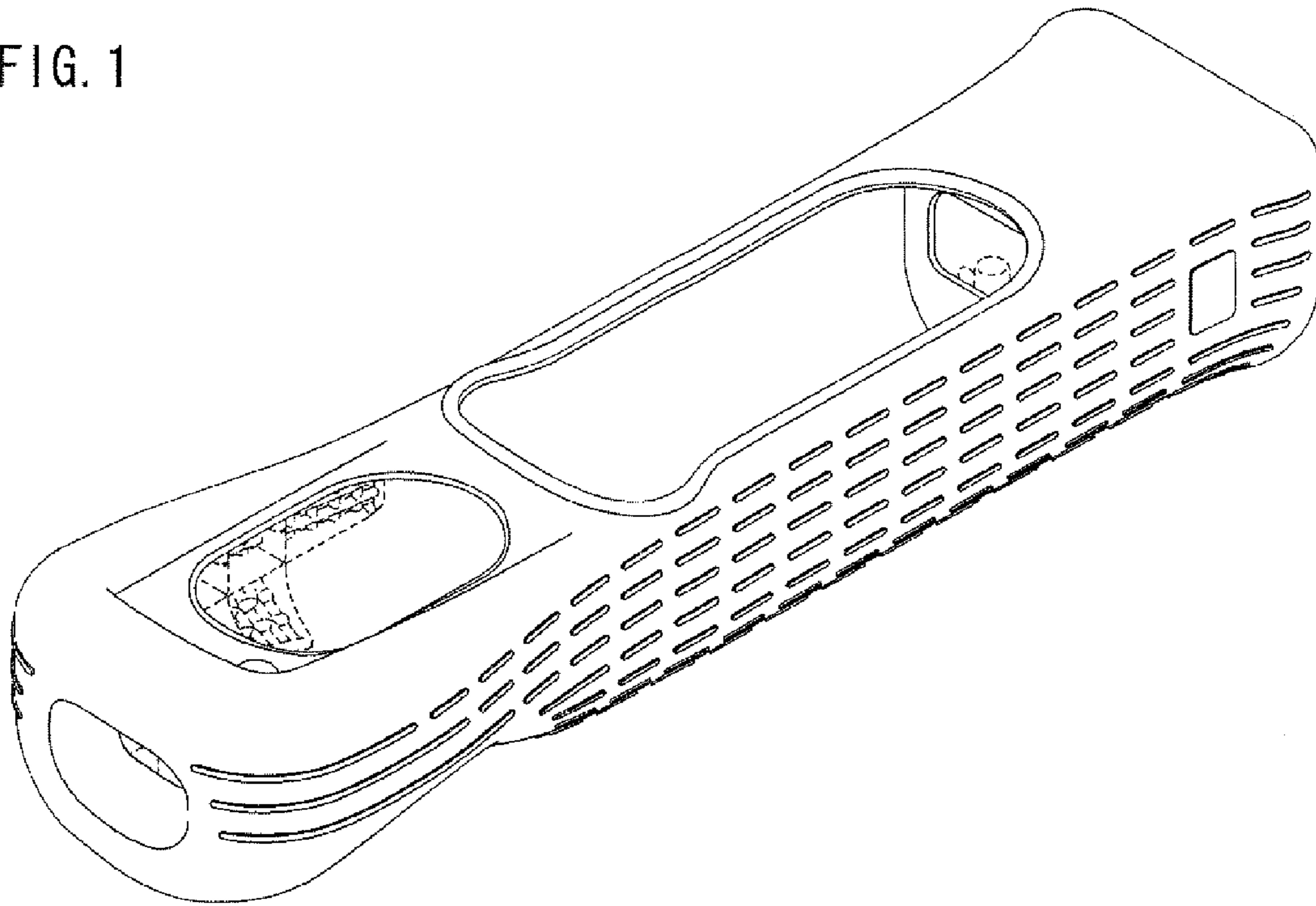


FIG. 2

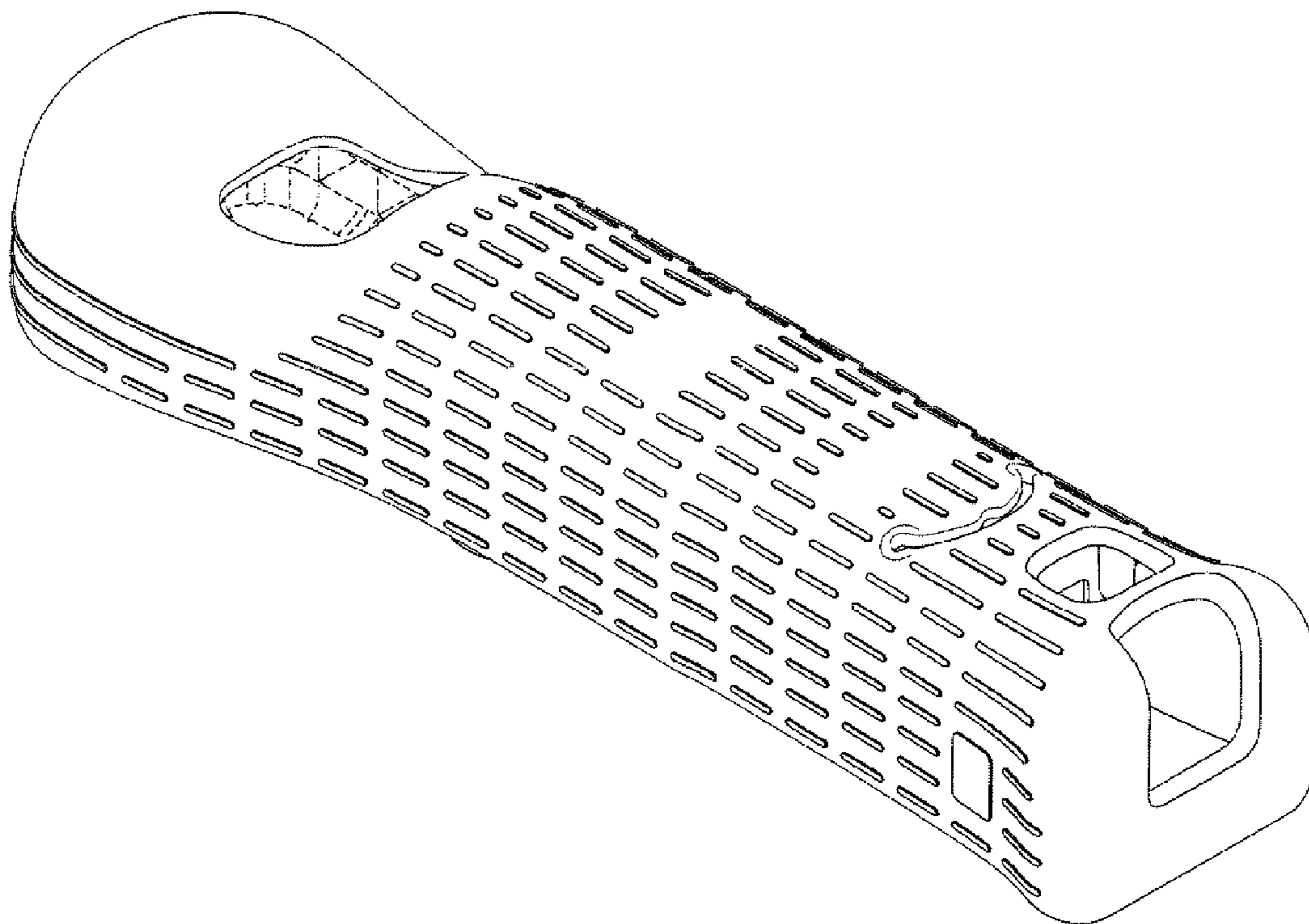


FIG. 3

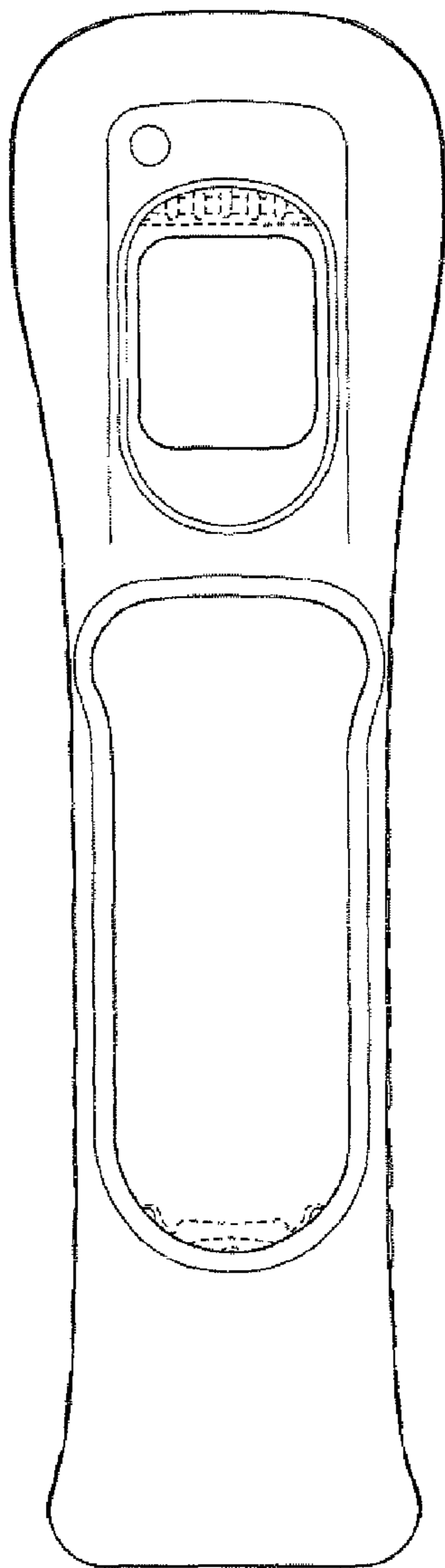


FIG. 4

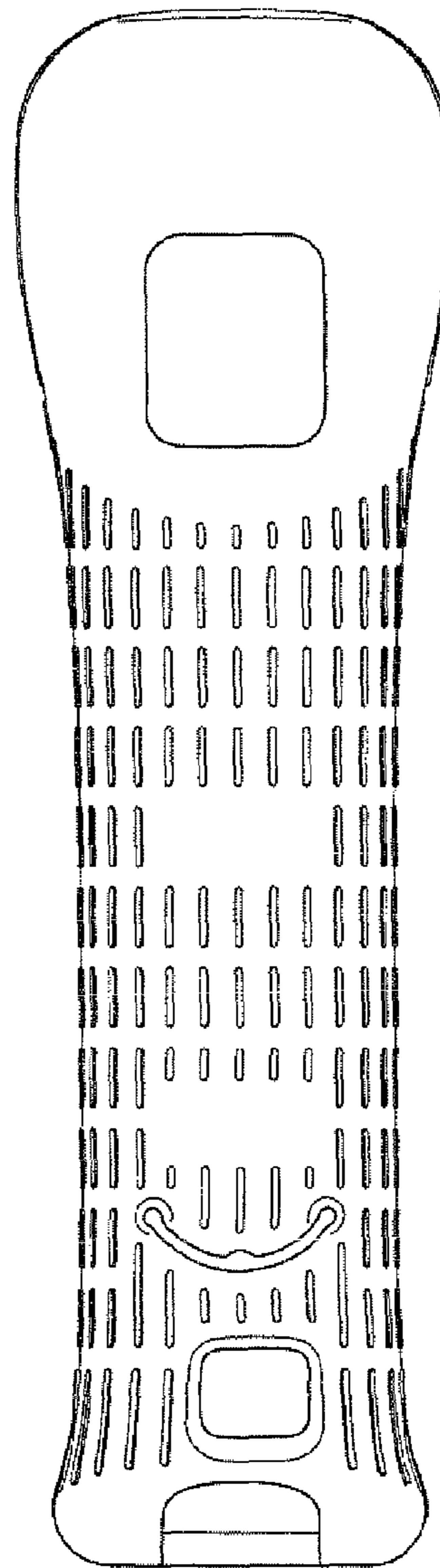


FIG. 5

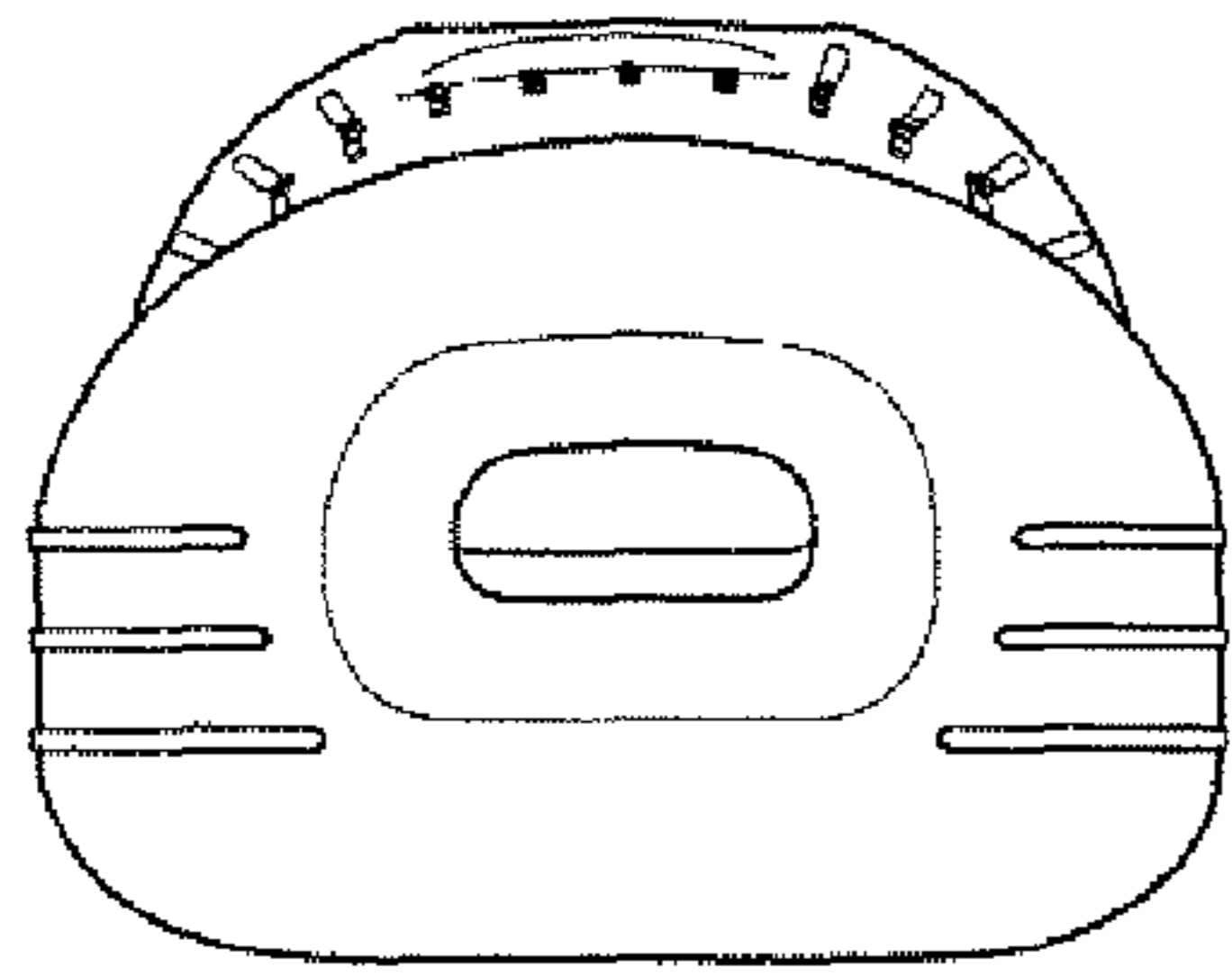


FIG. 6

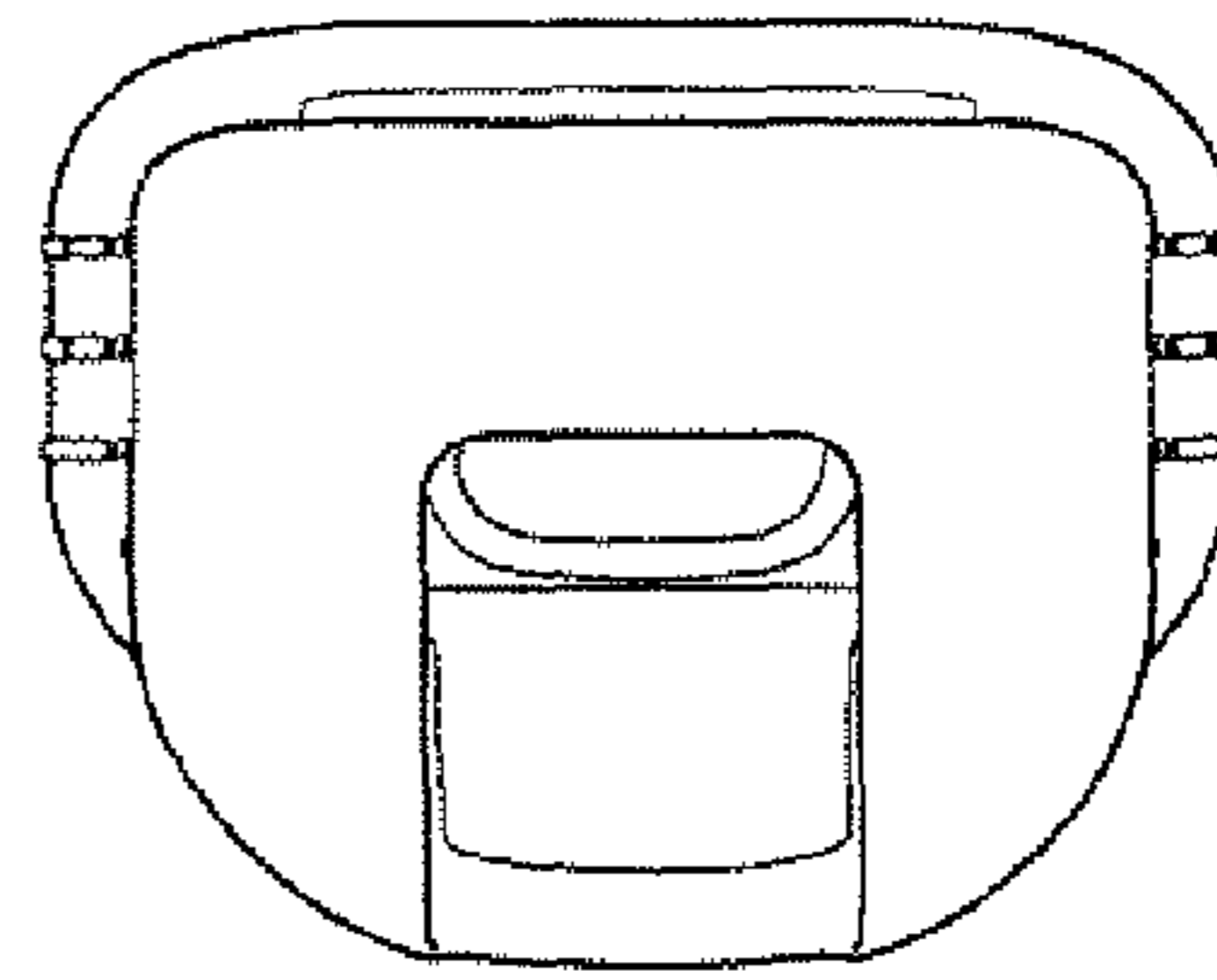


FIG. 7

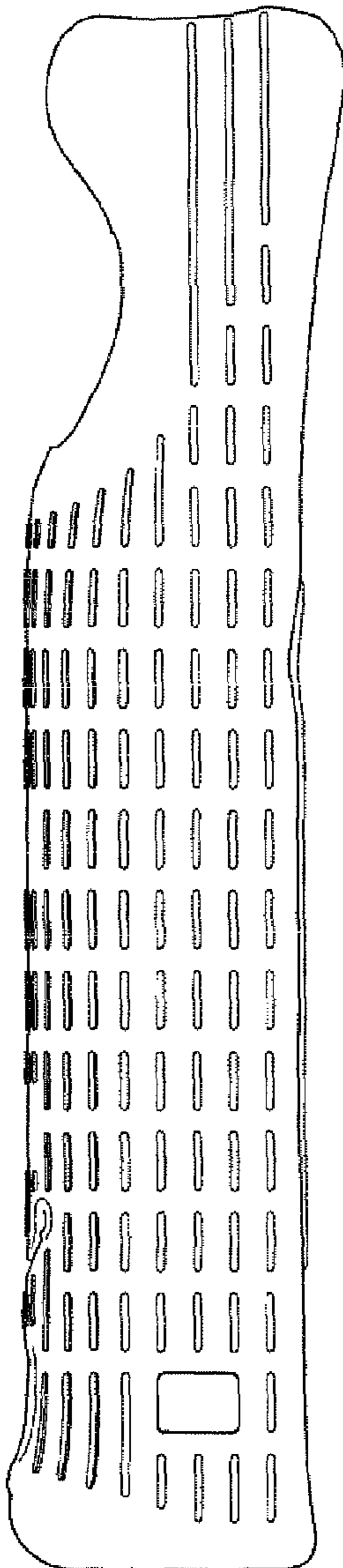


FIG. 8

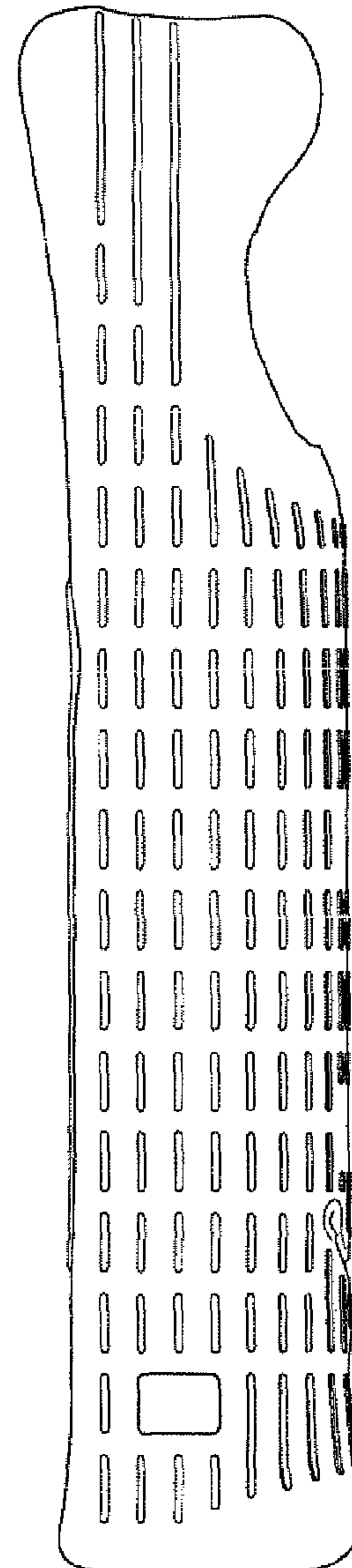


FIG. 9

