



US00D638061S

(12) **United States Design Patent**  
**Wang**

(10) **Patent No.:** **US D638,061 S**

(45) **Date of Patent:** **\*\* \*May 17, 2011**

- (54) **PEN**
- (75) Inventor: **Weijie Wang**, Ningbo (CN)
- (73) Assignee: **Beifa Group Co., Ltd.**, Ningbo (CN)
- (\*) Notice: This patent is subject to a terminal disclaimer.
- (\*\*) Term: **14 Years**
- (21) Appl. No.: **29/351,344**
- (22) Filed: **Dec. 3, 2009**

- D270,547 S 9/1983 Bajusz
- D282,553 S 2/1986 LeBlanc
- D283,825 S 5/1986 Hechter
- D297,021 S 8/1988 Grossiord
- D303,990 S 10/1989 Petterson
- D305,245 S \* 12/1989 Chuang ..... D19/57
- D329,459 S \* 9/1992 Sullivan ..... D19/36
- D344,936 S \* 3/1994 Gilpin et al. .... D14/431
- D362,269 S \* 9/1995 Hollington ..... D19/51
- D363,084 S \* 10/1995 Hollington ..... D19/51
- D391,294 S \* 2/1998 Izushima ..... D19/57
- D402,695 S \* 12/1998 Izushima ..... D19/51
- D437,888 S 2/2001 Keil
- D467,970 S 12/2002 Pellissa Beneyto
- 6,599,045 B1 \* 7/2003 Kolb ..... 401/52
- D478,350 S 8/2003 Furlong

(Continued)

(30) **Foreign Application Priority Data**

- Jun. 4, 2009 (CN) ..... 2009 3 0181807
  - (51) **LOC (9) Cl.** ..... **19-06**
  - (52) **U.S. Cl.** ..... **D19/48**
  - (58) **Field of Classification Search** ..... D19/35,  
D19/36, 41, 42, 43, 44, 45, 46, 47, 48, 49,  
D19/50, 51, 53, 54, 55, 56, 57; 24/11 F,  
24/11 P, 11 R; 401/6, 52, 99, 100, 104, 105,  
401/106, 107, 108, 109, 192, 195, 243, 244,  
401/245, 246, 247
- See application file for complete search history.

(56) **References Cited**

**U.S. PATENT DOCUMENTS**

- 828,973 A \* 8/1906 Sanford ..... 401/158
- 1,038,068 A \* 9/1912 Barrett ..... 401/158
- 1,075,631 A \* 10/1913 Dods ..... 401/246
- 1,477,231 A \* 12/1923 Abrams ..... 401/52
- D92,705 S \* 7/1934 Deli ..... D19/36
- D126,555 S \* 4/1941 Gurtov ..... D8/62
- 2,251,640 A \* 8/1941 Skrainka ..... 33/372
- D144,621 S \* 5/1946 Kahn ..... D19/48
- D265,212 S \* 6/1982 Spiegel ..... D19/47
- D266,769 S 11/1982 Camps

**OTHER PUBLICATIONS**

Wang, W., "Pen," U.S. Appl. No. 29/330,718, filed Jan. 13, 2009.

(Continued)

*Primary Examiner* — Karen E. Eldridge Powers  
(74) *Attorney, Agent, or Firm* — Christensen O'Connor Johnson Kindness PLLC

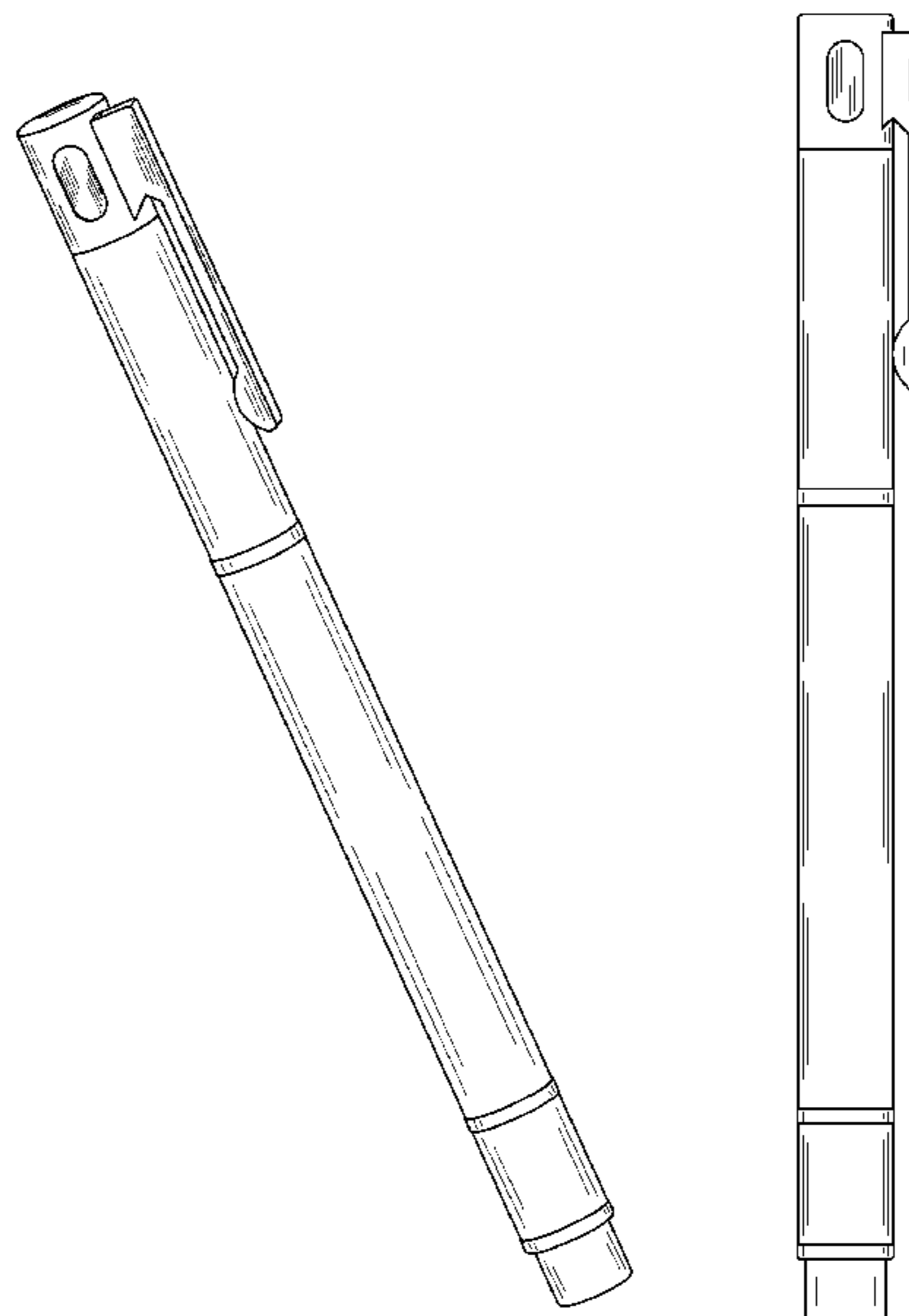
(57) **CLAIM**

The ornamental design for a pen, as shown and described.

**DESCRIPTION**

FIG. 1 is an upper left perspective view of a pen showing my new design;  
FIG. 2 is a left side elevation view thereof;  
FIG. 3 is an enlarged bottom plan view thereof;  
FIG. 4 is a rear elevation view thereof;  
FIG. 5 is a right side elevation view thereof;  
FIG. 6 is an enlarged top plan view thereof; and,  
FIG. 7 is a front elevation view thereof.

**1 Claim, 3 Drawing Sheets**



# US D638,061 S

Page 2

---

## U.S. PATENT DOCUMENTS

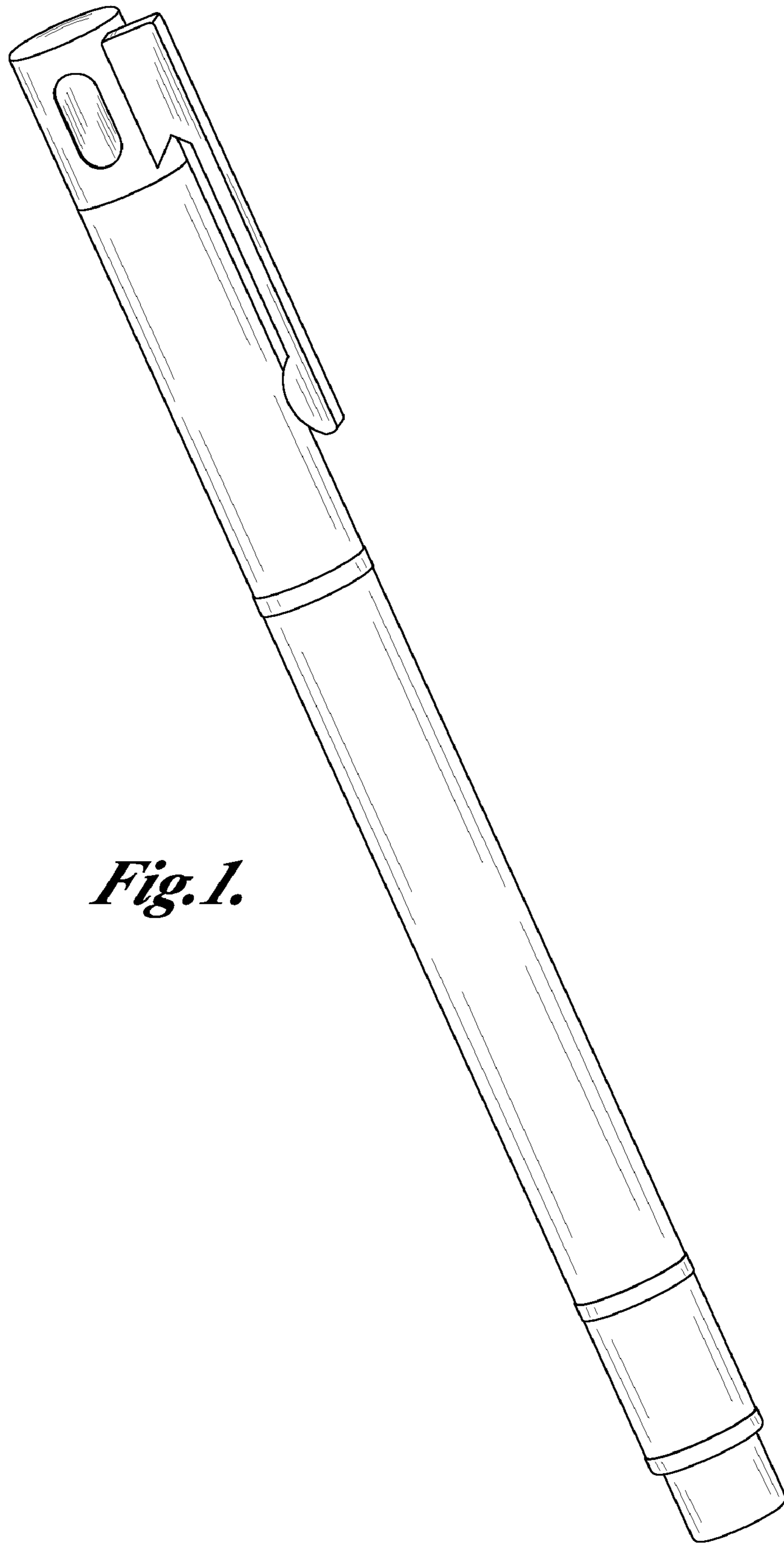
D498,494 S \* 11/2004 Conklin et al. .... D19/51  
D545,366 S 6/2007 Ternovits  
D547,375 S 7/2007 Gerules  
D583,866 S \* 12/2008 Eddington et al. .... D19/49  
7,460,111 B2 \* 12/2008 Keely et al. .... 345/179  
D584,771 S \* 1/2009 Gerules et al. .... D19/41  
D601,627 S 10/2009 Liu  
D602,086 S \* 10/2009 Liu ..... D19/49  
D603,900 S \* 11/2009 Jin ..... D19/54  
D606,587 S 12/2009 Zhang  
D607,934 S 1/2010 Liu

D610,616 S 2/2010 Li  
D611,095 S 3/2010 Liu  
D611,096 S 3/2010 Liu  
D611,097 S 3/2010 Liu  
D613,335 S \* 4/2010 Gerules et al. .... D19/41  
D616,498 S \* 5/2010 Zhang ..... D19/49  
D622,770 S \* 8/2010 Shi ..... D19/51

## OTHER PUBLICATIONS

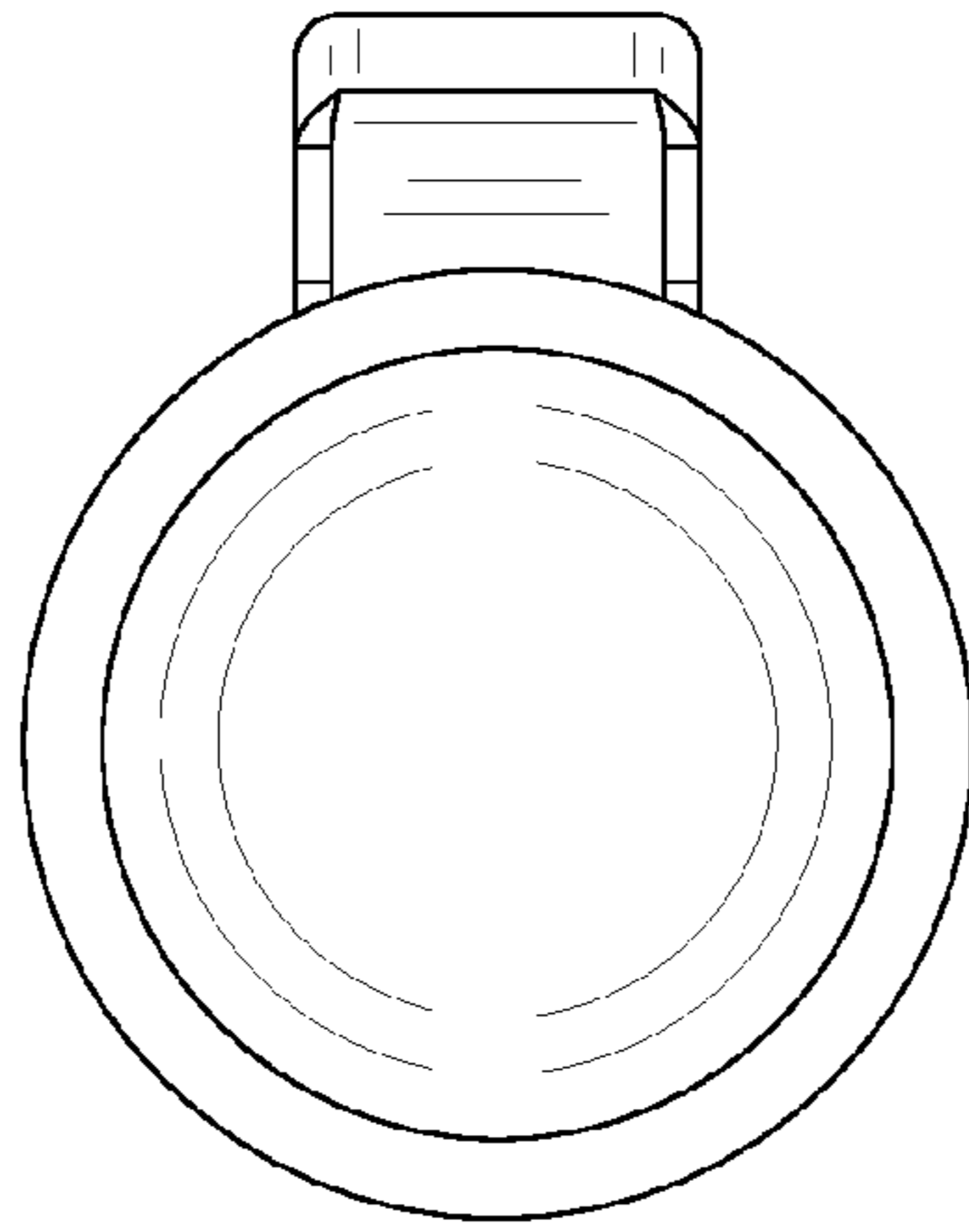
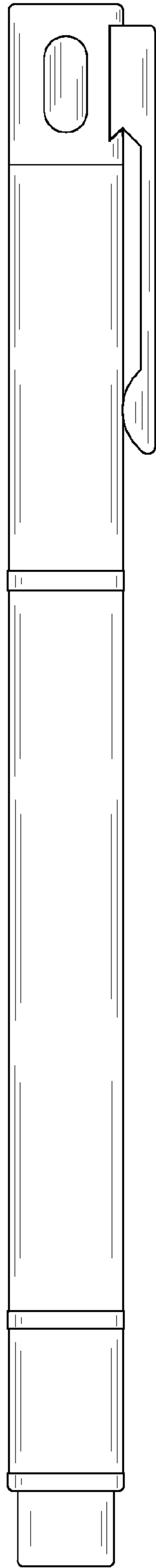
Wang, W., "Pen," U.S. Appl. No. 29/351,345, filed Dec. 3, 2009.

\* cited by examiner



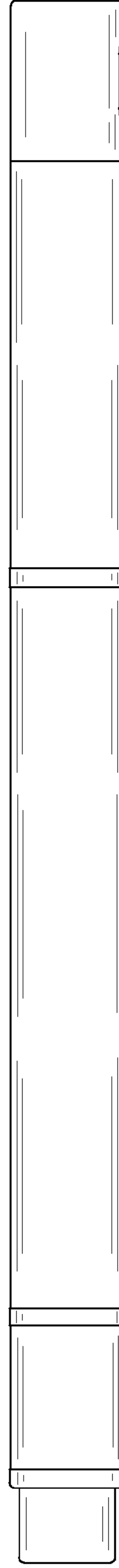
*Fig. 1.*

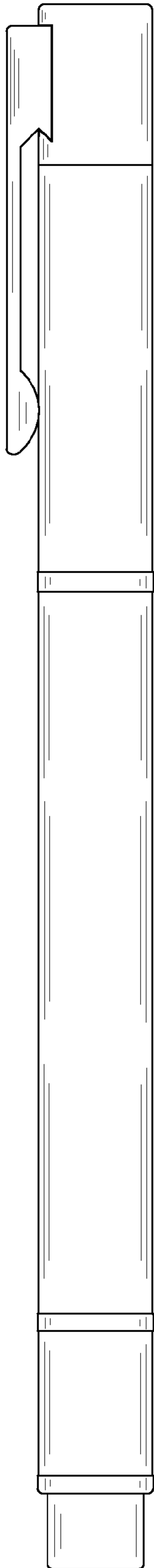
*Fig. 2.*



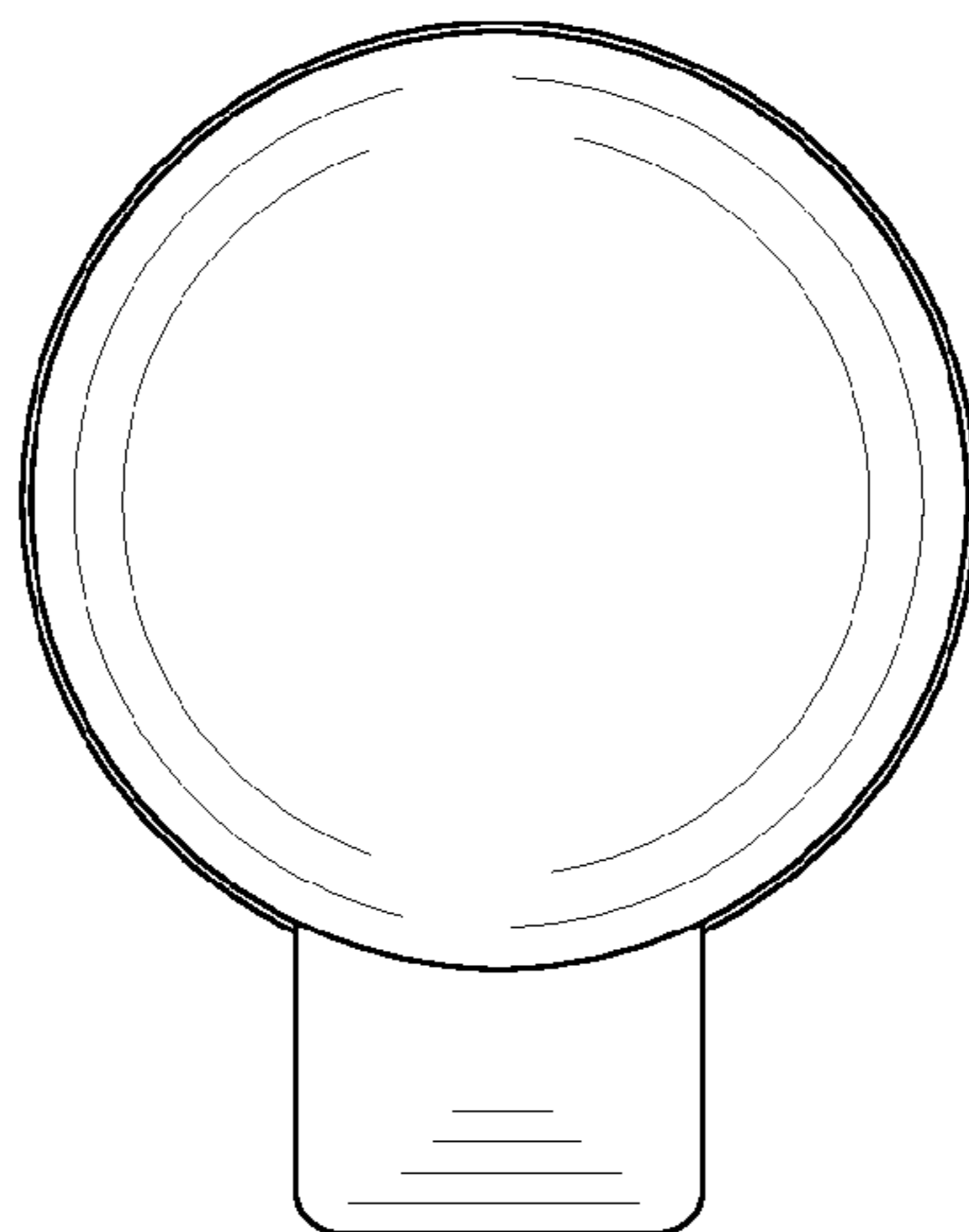
*Fig. 3.*

*Fig. 4.*

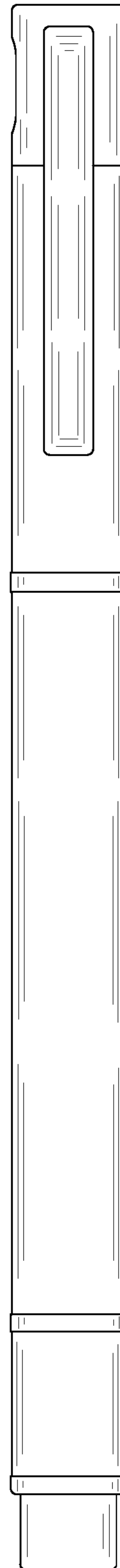




*Fig. 5.*



*Fig. 6.*



*Fig. 7.*