



US00D638051S

(12) **United States Design Patent**
Sato et al.

(10) **Patent No.:** **US D638,051 S**
(45) **Date of Patent:** **** May 17, 2011**

(54) **TONER CARTRIDGE**
(75) Inventors: **Fumikazu Sato**, Konan (JP); **Naoya Kamimura**, Ichinomiya (JP); **Nao Itabashi**, Nagoya (JP); **Hideshi Nishiyama**, Nagoya (JP)
(73) Assignee: **Brother Industries, Ltd.**, Nagoya (JP)
(**) Term: **14 Years**
(21) Appl. No.: **29/334,211**
(22) Filed: **Mar. 23, 2009**

D508,945 S 8/2005 Ishii et al.
D509,239 S 9/2005 Ishii et al.
D510,947 S 10/2005 Ishii et al.
D511,542 S 11/2005 Ishii et al.
D512,092 S 11/2005 Kobayashi et al.
D512,454 S 12/2005 Ishii et al.
D521,545 S 5/2006 Ishii et al.
D522,564 S 6/2006 Ishii et al.
D523,894 S 6/2006 Ishii et al.
D523,895 S 6/2006 Ishii et al.
D523,896 S 6/2006 Ishii et al.
D528,148 S 9/2006 Ishii et al.
D531,660 S 11/2006 Ishii et al.
D531,661 S 11/2006 Ishii et al.

(Continued)

(30) **Foreign Application Priority Data**
Sep. 30, 2008 (JP) 2008-025139
(51) **LOC (9) Cl.** **16-03**
(52) **U.S. Cl.** **D18/43**
(58) **Field of Classification Search** D14/471;
D18/12, 36, 40, 43, 44, 56; 222/DIG. 1;
347/197, 222; 399/24-28, 107-112, 119,
399/121, 122, 222-224
See application file for complete search history.

OTHER PUBLICATIONS

Kamimura et al.; U.S. Appl. No. 29/276,997, filed Feb. 9, 2007.
(Continued)

Primary Examiner — Garth Rademaker
(74) *Attorney, Agent, or Firm* — Oliff & Berridge, PLC

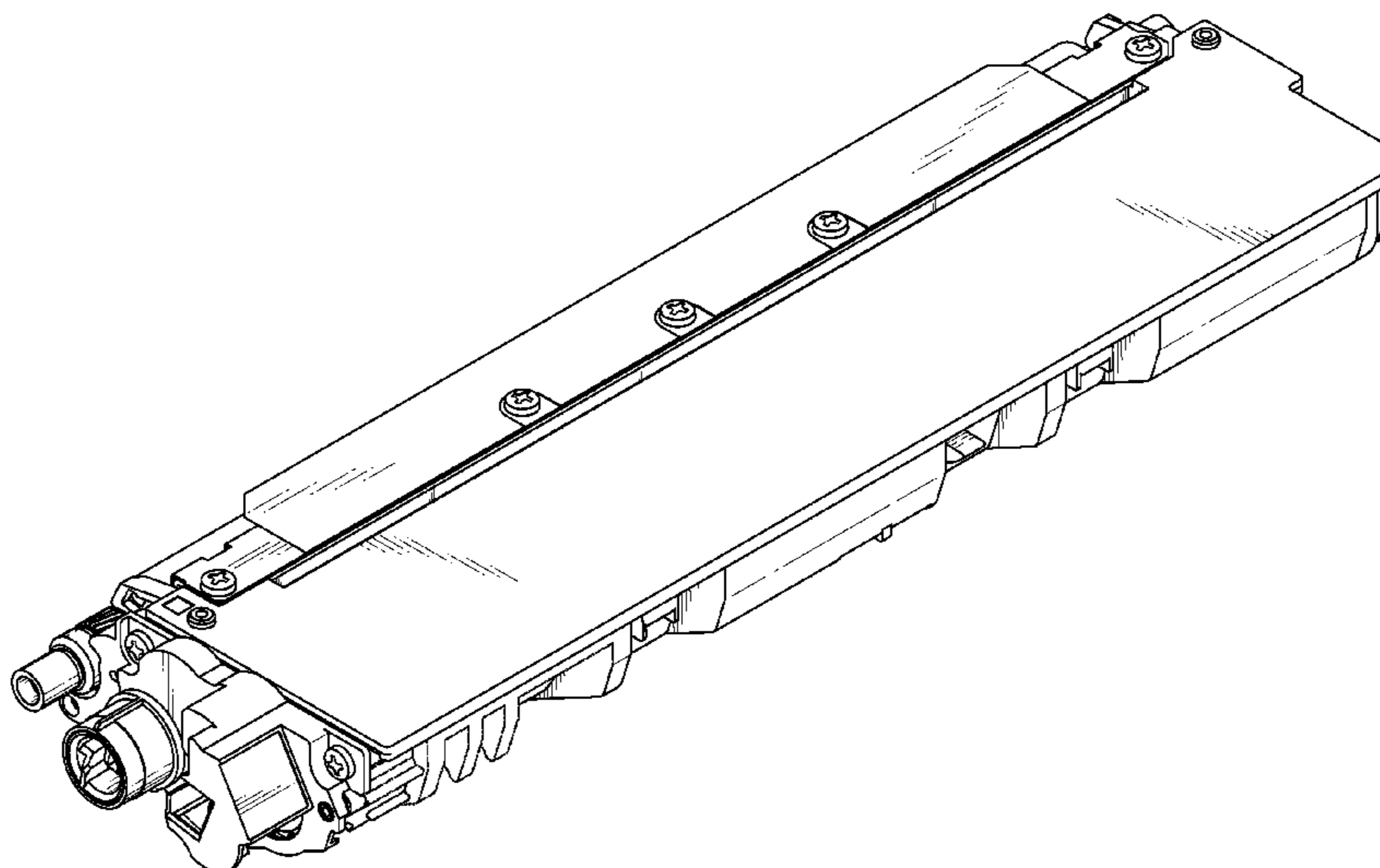
(57) **CLAIM**
The ornamental design for a toner cartridge, as shown and described.

(56) **References Cited**
U.S. PATENT DOCUMENTS
D303,543 S * 9/1989 Seki D18/36
D313,813 S * 1/1991 Tokuda D18/36
D361,590 S 8/1995 Ishida
D381,677 S 7/1997 Makino
D422,304 S 4/2000 Suzuki et al.
D442,216 S 5/2001 Kimura et al.
D471,228 S 3/2003 Okabe et al.
D471,583 S 3/2003 Okabe et al.
D487,108 S 2/2004 Morita et al.
D506,776 S 6/2005 Kobayashi et al.
D507,295 S 7/2005 Ishii et al.
D507,296 S 7/2005 Ishii et al.
D507,595 S 7/2005 Kobayashi et al.
D507,596 S 7/2005 Kobayashi et al.
D507,597 S 7/2005 Kobayashi et al.
D507,809 S 7/2005 Kobayashi et al.

DESCRIPTION

FIG. 1 is a perspective view of a toner cartridge;
FIG. 2 is a front view thereof;
FIG. 3 is a top view thereof;
FIG. 4 is a right-side view thereof;
FIG. 5 is a left-side view thereof;
FIG. 6 is a rear view thereof;
FIG. 7 is a bottom view thereof;
FIG. 8 is another perspective view thereof; and,
FIG. 9 is a cross-sectional view thereof taken along the line 9-9 of FIG. 2.
The broken lines depict environmental subject matter only and form no part of the claimed design.

1 Claim, 8 Drawing Sheets



US D638,051 S

Page 2

U.S. PATENT DOCUMENTS

D533,215	S	12/2006	Ishii et al.	
D533,583	S	12/2006	Kobayashi et al.	
D538,332	S	3/2007	Hoshiya et al.	
D550,763	S	9/2007	Ishikawa et al.	
D550,764	S	9/2007	Ishikawa et al.	
D550,765	S	9/2007	Ishikawa et al.	
D550,766	S	9/2007	Takagi	
D550,767	S	9/2007	Kishi	
D551,285	S	9/2007	Ishikawa et al.	
D566,169	S	4/2008	Ishikawa et al.	
D579,484	S	10/2008	Kamimura et al.	
7,444,087	B2 *	10/2008	Ishii	399/24
D579,970	S	11/2008	Kamimura et al.	
D595,343	S *	6/2009	Ishikawa et al.	D18/43
D595,344	S *	6/2009	Ishikawa	D18/43
D601,183	S *	9/2009	Ishikawa et al.	D18/43
7,693,443	B2 *	4/2010	Sato et al.	399/90
2007/0237549	A1 *	10/2007	Okabe	399/222

OTHER PUBLICATIONS

Kamimura et al.; U.S. Appl. No. 29/276,998, filed Feb. 9, 2007.
Ogasawara et al.; U.S. Appl. No. 29/303,524, filed Feb. 11, 2008.
Ogasawara et al.; U.S. Appl. No. 29/303,525, filed Feb. 11, 2008.
Kamimura et al.; U.S. Appl. No. 29/276,993, filed Feb. 9, 2007.
Kamimura et al.; U.S. Appl. No. 29/276,991, filed Feb. 9, 2007.
Kamimura et al.; U.S. Appl. No. 29/276,994, filed Feb. 9, 2007.
Ishikawa et al.; U.S. Appl. No. 29/303,513, filed Feb. 11, 2008.
Ishikawa; U.S. Appl. No. 29/303,515, filed Feb. 11, 2008.
Ishikawa et al.; U.S. Appl. No. 29/303,523, filed Feb. 11, 2008.
Ogasawara et al.; U.S. Appl. No. 29/303,528, filed Feb. 11, 2008.
Kamimura et al.; U.S. Appl. No. 29/276,996, filed Feb. 9, 2007.
Ishii et al.; U.S. Appl. No. 29/222,088, filed Jan. 27, 2005.
Kobayashi et al.; U.S. Appl. No. 29/197,021, filed Jan. 8, 2004.
Kobayashi et al.; U.S. Appl. No. 29/197,016, filed Jan. 8, 2004.
Ishikawa et al.; U.S. Appl. No. 29/245,317, filed Dec. 22, 2005.

* cited by examiner

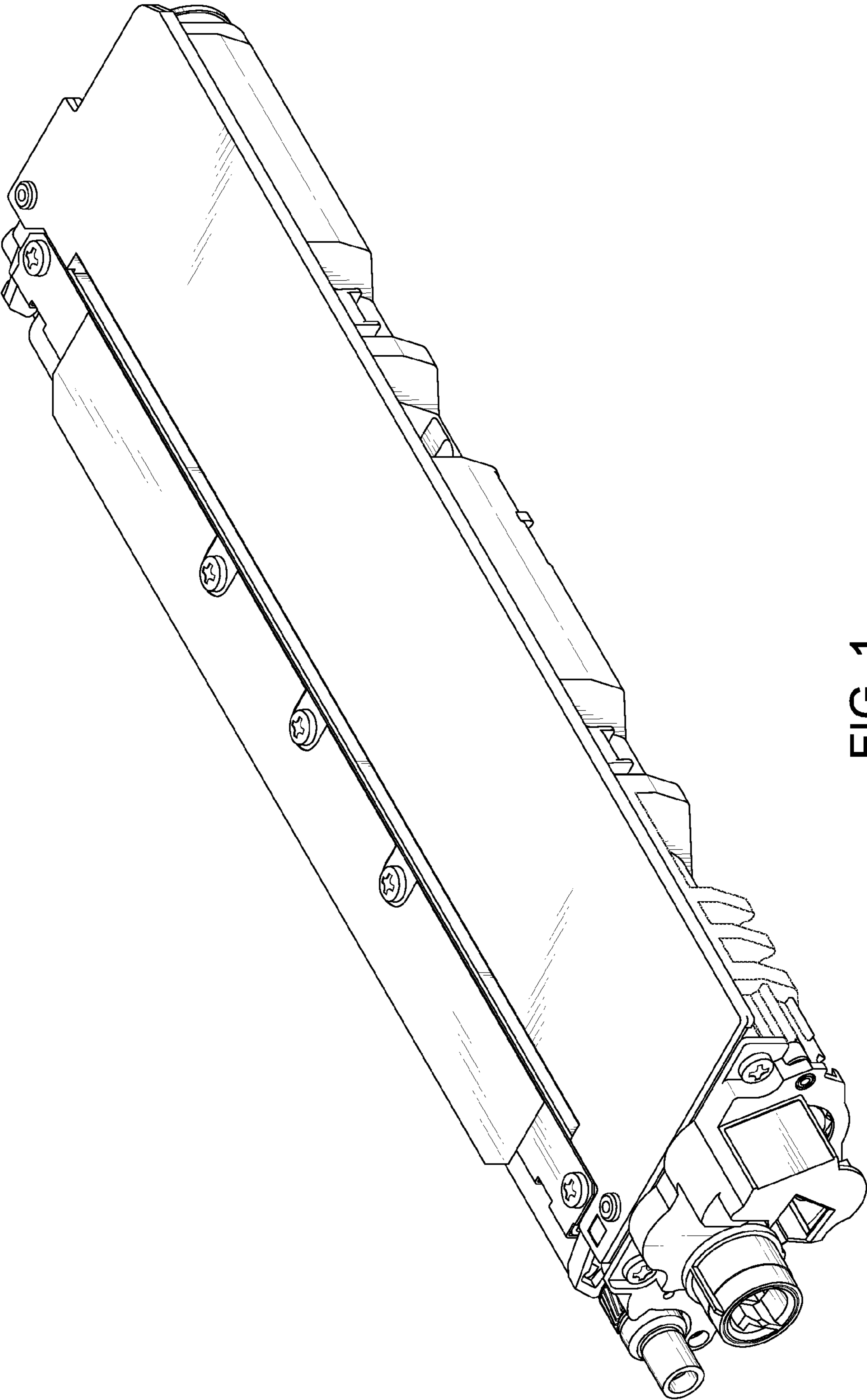


FIG. 1

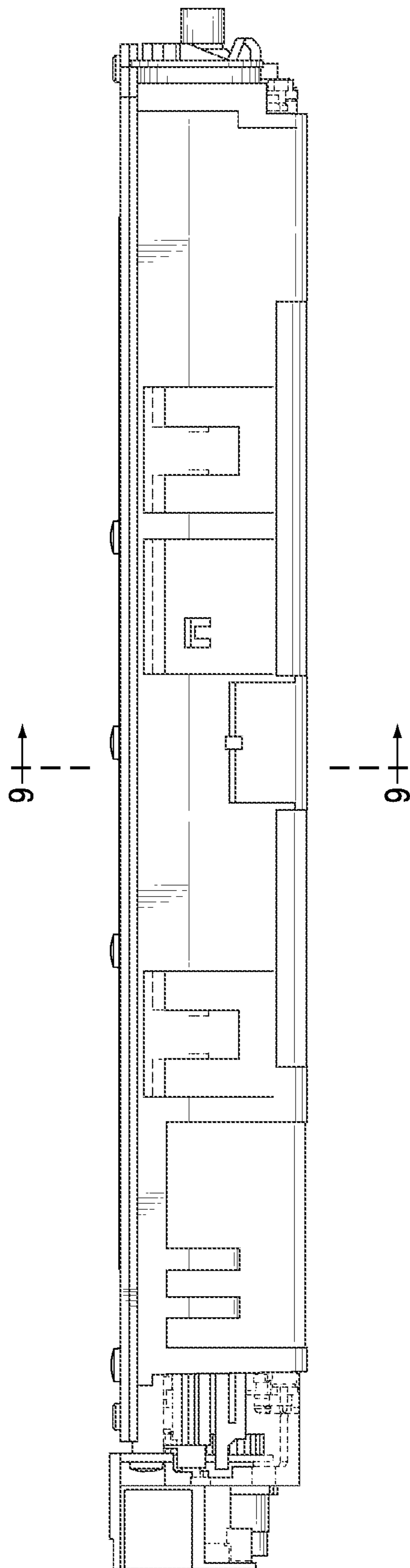


FIG. 2

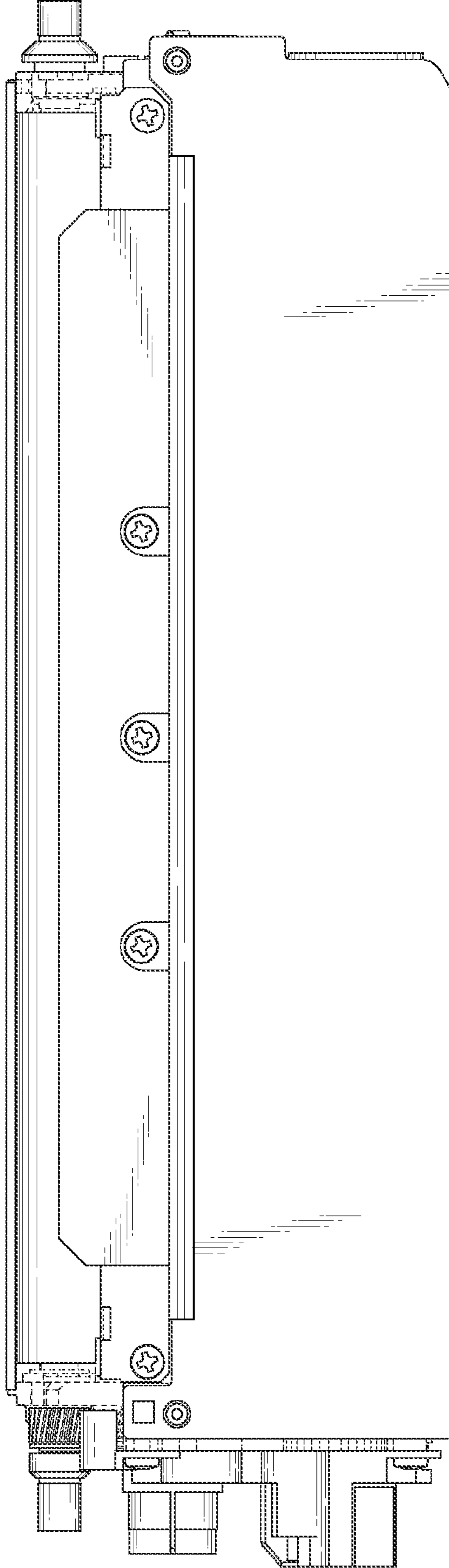


FIG. 3

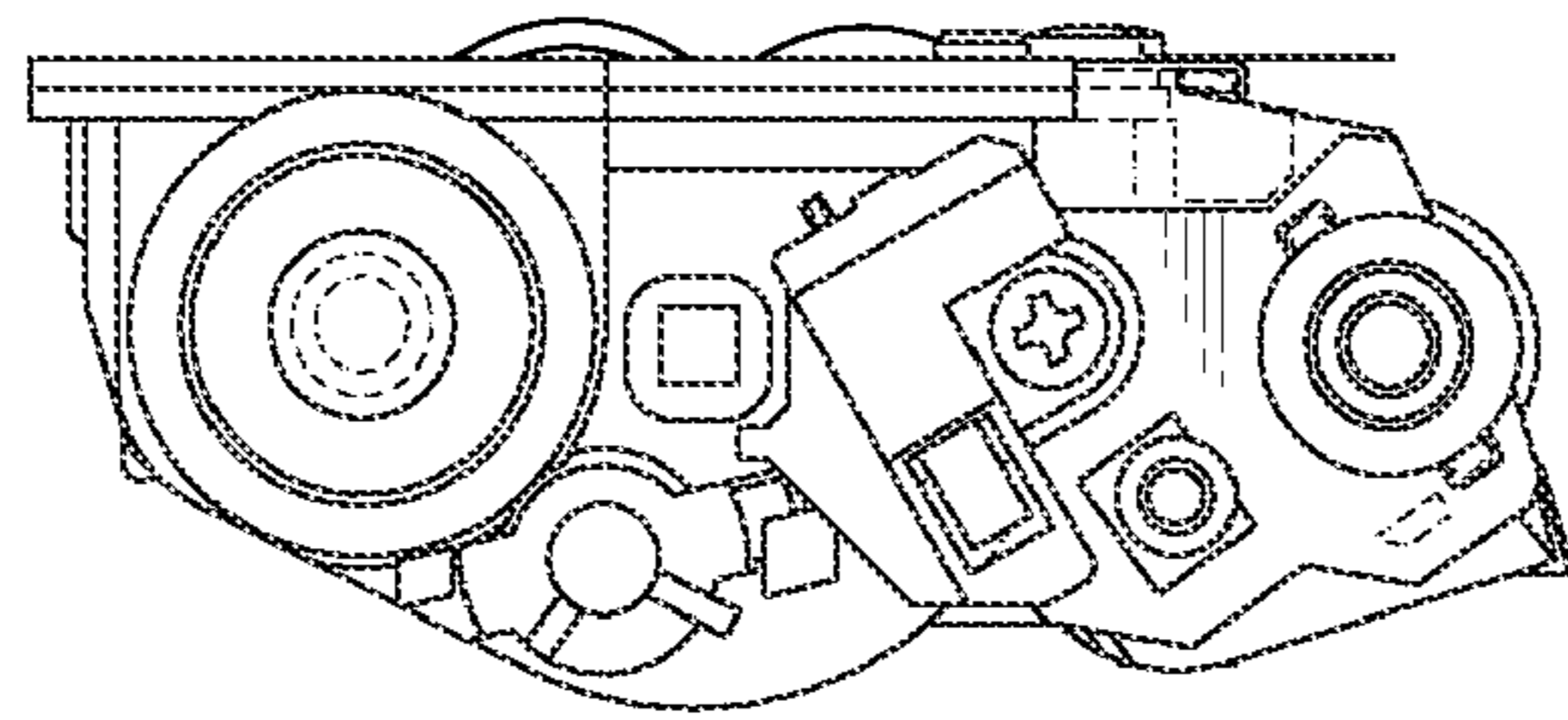


FIG. 4

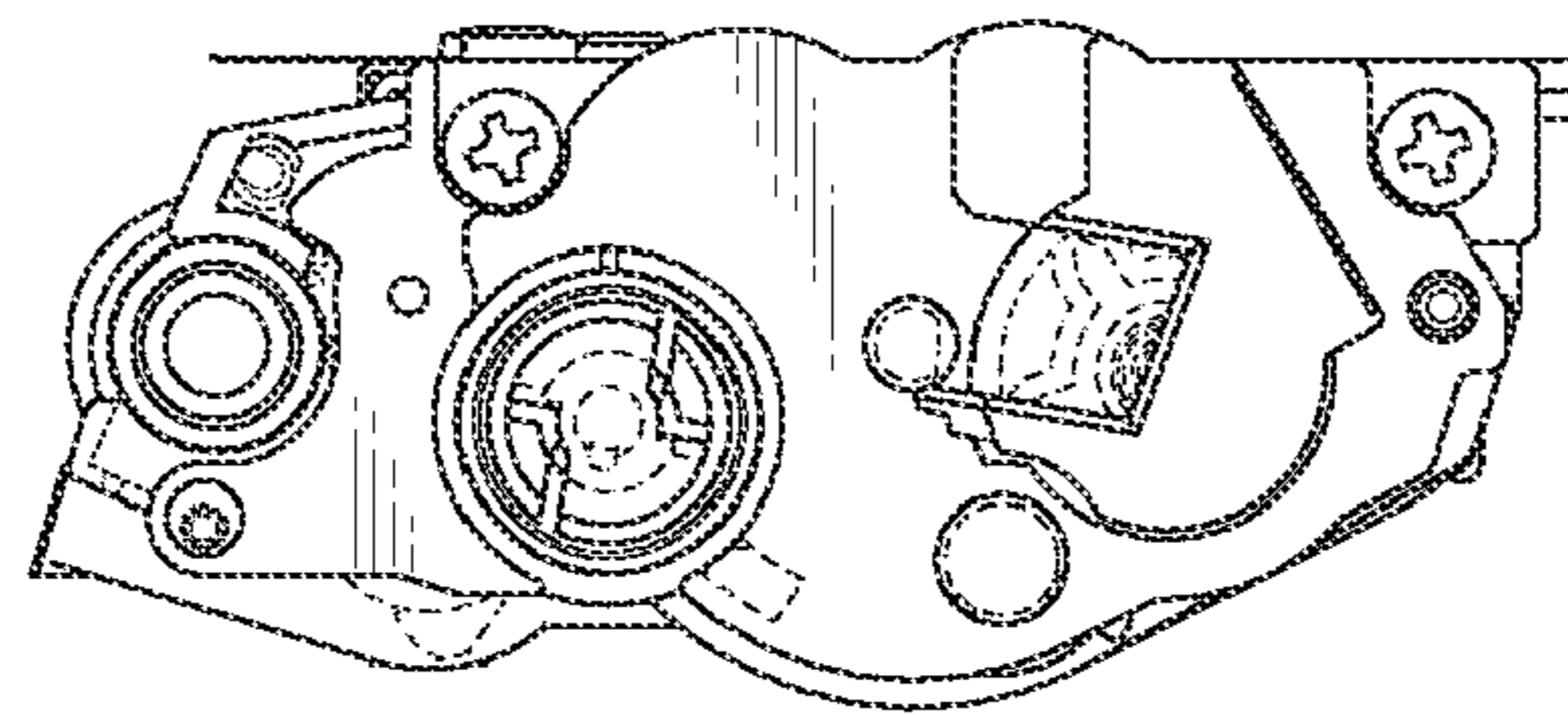


FIG. 5

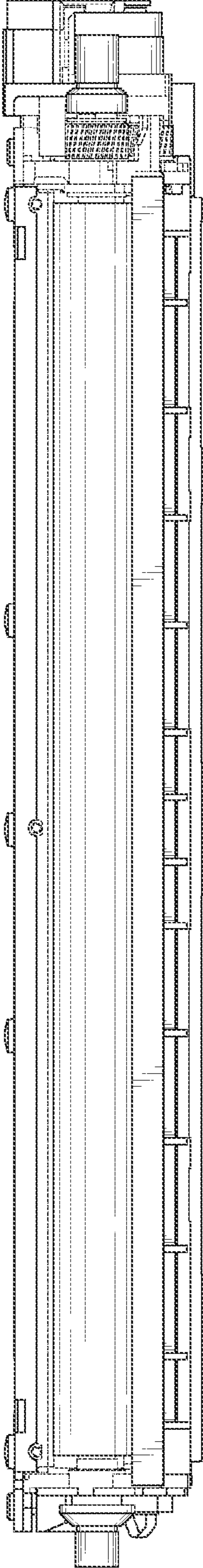


FIG. 6

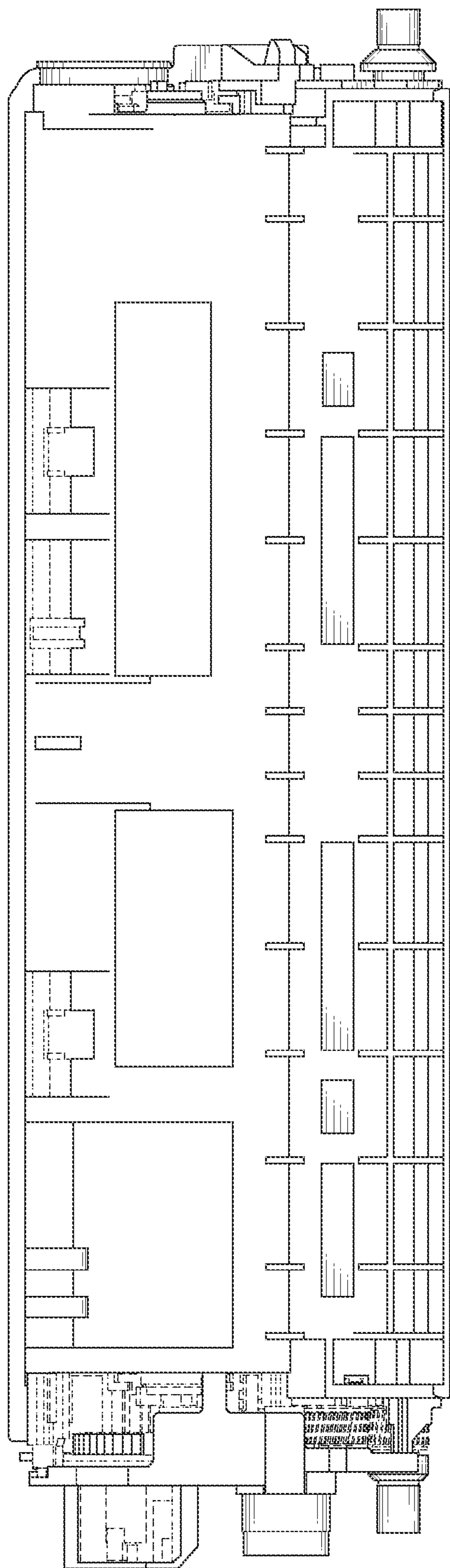


FIG. 7

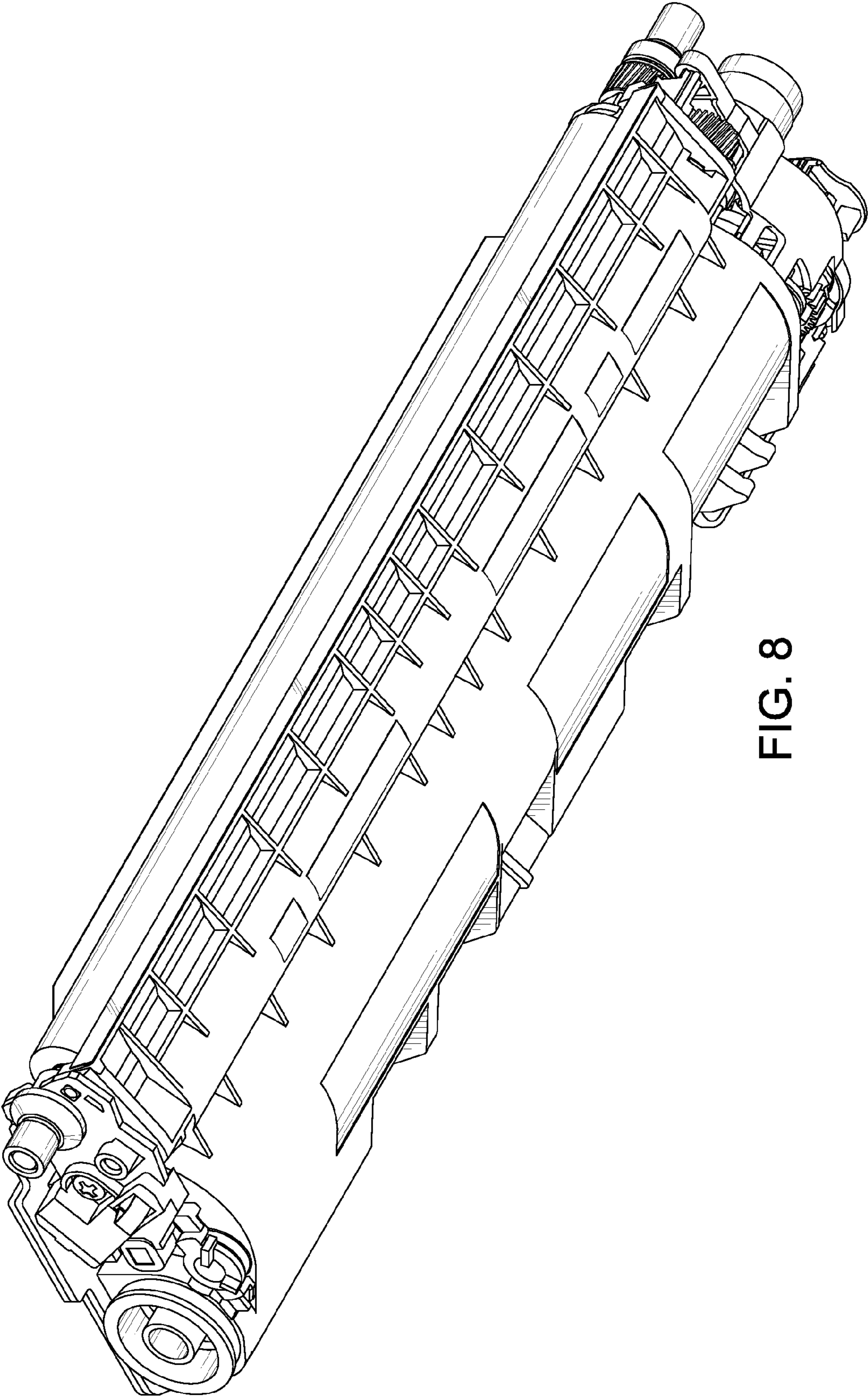


FIG. 8

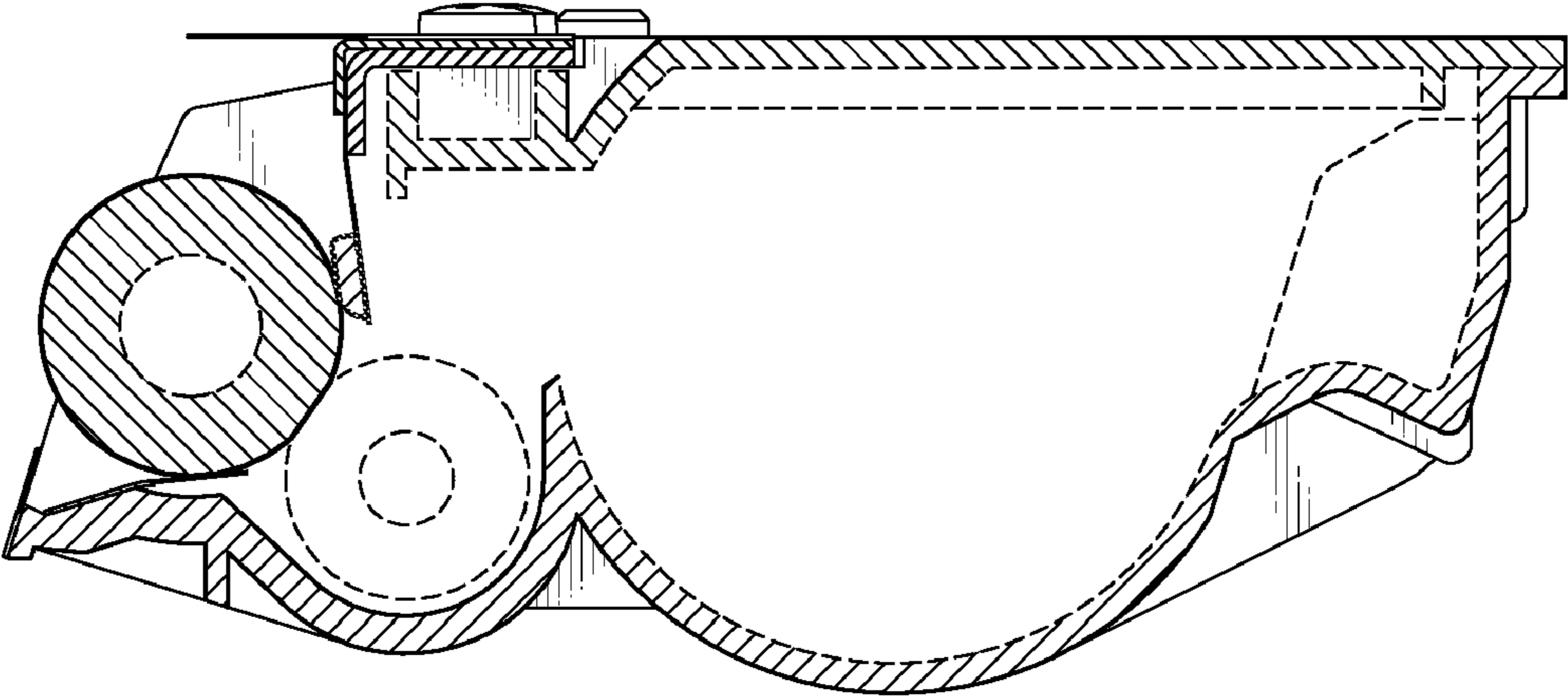


FIG. 9