



US00D638047S

(12) **United States Design Patent**  
**Lian**

(10) **Patent No.:** **US D638,047 S**

(45) **Date of Patent:** **\*\* May 17, 2011**

(54) **INFRARED DIGITAL TRAIL CAMERA**

(76) Inventor: **Chao Lian**, ShenZhen (CN)

(\*\*) Term: **14 Years**

(21) Appl. No.: **29/370,475**

(22) Filed: **Jul. 23, 2010**

(51) **LOC (9) Cl.** ..... **16-01**

(52) **U.S. Cl.** ..... **D16/203**

(58) **Field of Classification Search** ..... D16/200–204,  
D16/208, 218; 348/143, 164, 373–376; 396/427,  
396/535–541

See application file for complete search history.

(56) **References Cited**

**U.S. PATENT DOCUMENTS**

6,449,431	B1 *	9/2002	Cuddeback et al.	.....	396/427
6,768,868	B1 *	7/2004	Schnell	.....	396/427
7,471,334	B1 *	12/2008	Stenger	.....	396/427
7,534,056	B2 *	5/2009	Cross et al.	.....	348/373
D616,009	S *	5/2010	Schnell	.....	D16/218

D622,749	S *	8/2010	Lian	.....	D16/203
D628,224	S *	11/2010	Barley et al.	.....	D16/218
D630,236	S *	1/2011	Lian	.....	D16/203

\* cited by examiner

*Primary Examiner* — Adir Aronovich

(74) *Attorney, Agent, or Firm* — Raymond Y. Chan; David and Raymond Patent Firm

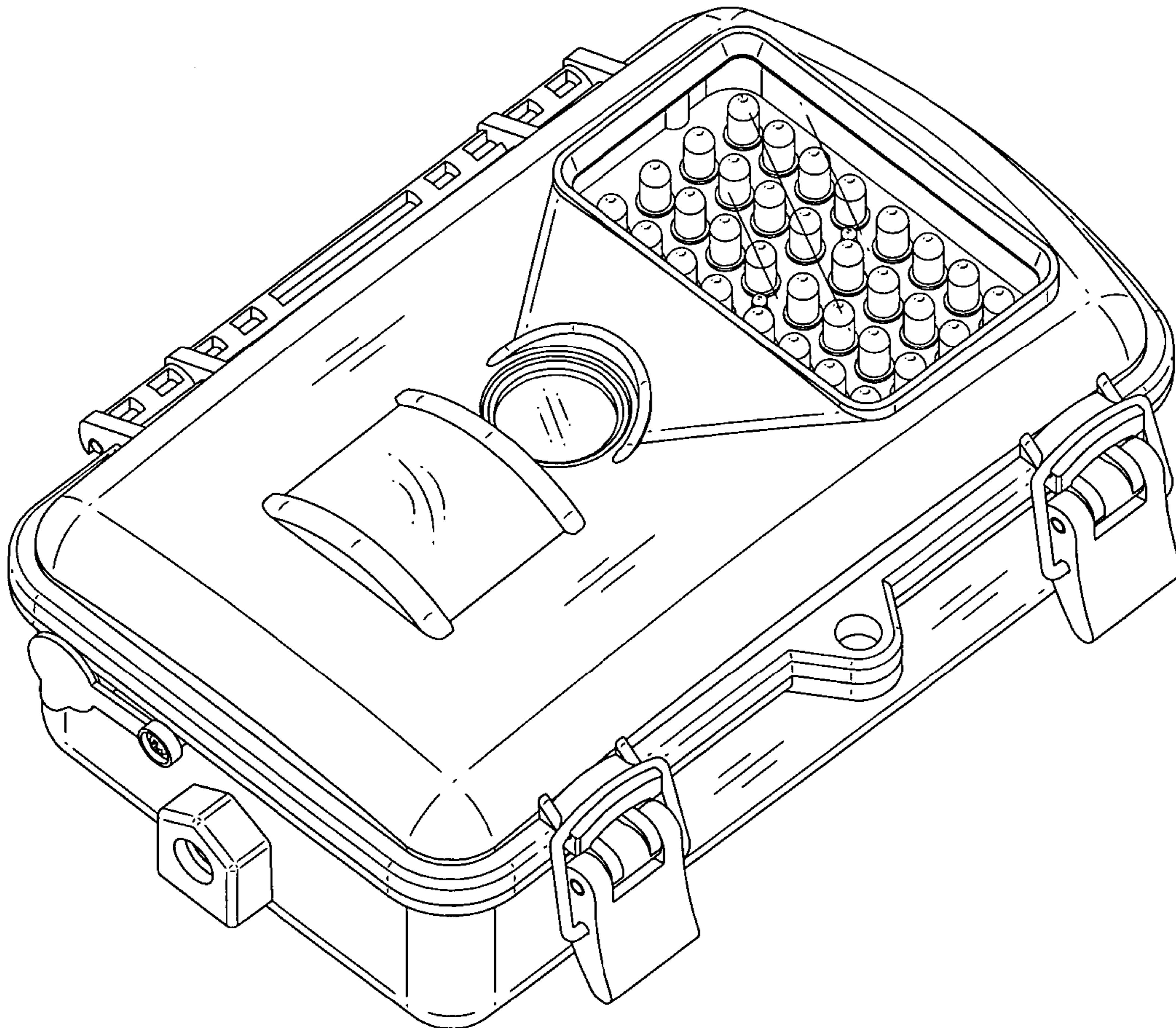
(57) **CLAIM**

The ornamental design for infrared digital trail camera, as shown and described.

**DESCRIPTION**

FIG. 1 is a front, bottom and right side perspective view of an infrared digital trail camera showing my new design; FIG. 2 is a front elevational view thereof; FIG. 3 is rear elevational view thereof; FIG. 4 is a right side elevational view thereof; FIG. 5 is a left side elevational view thereof; FIG. 6 is top plan view thereof; FIG. 7 is a bottom plan view thereof; and, FIG. 8 is a rear perspective view of the new design thereof.

**1 Claim, 8 Drawing Sheets**



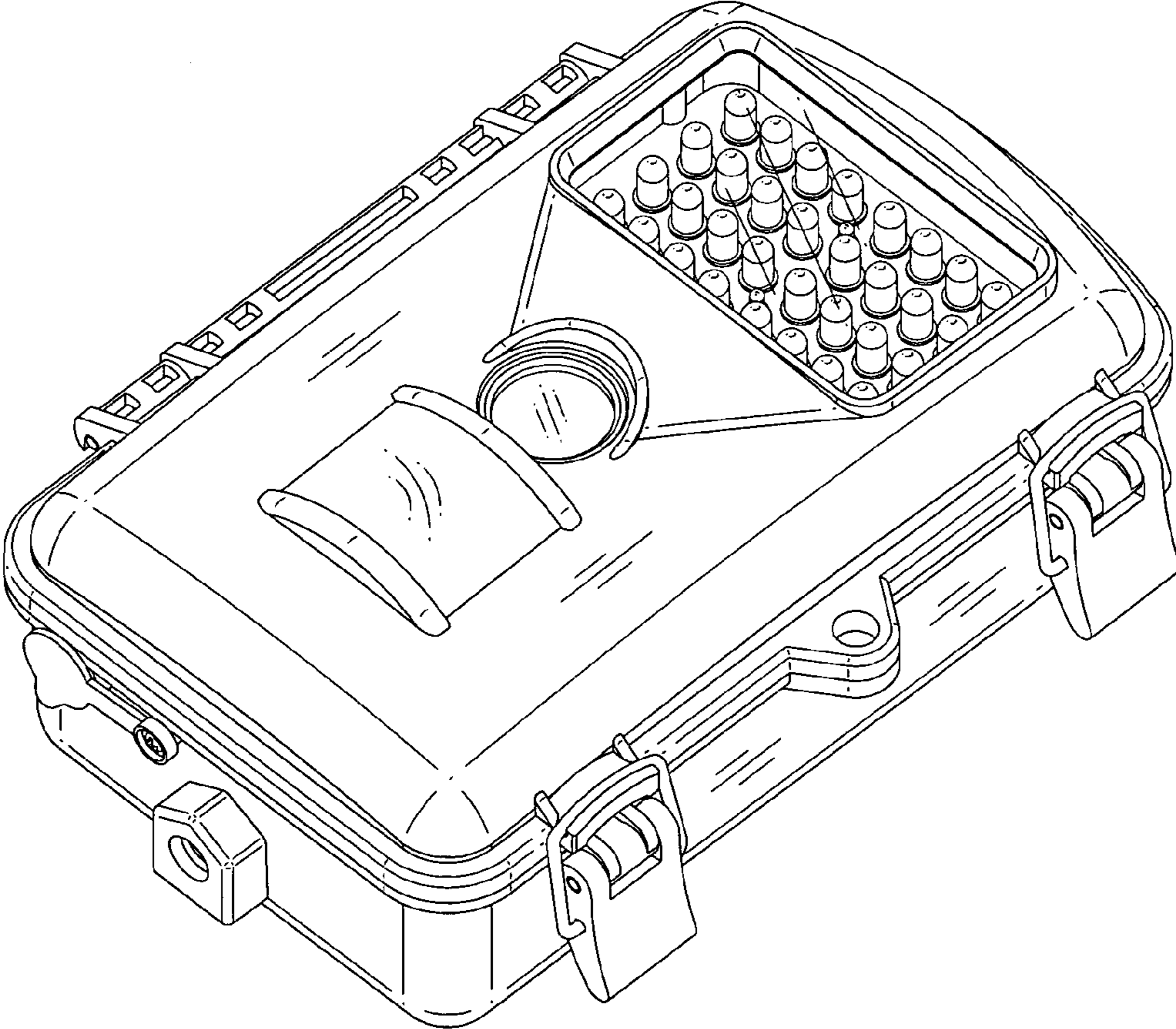


FIG.1

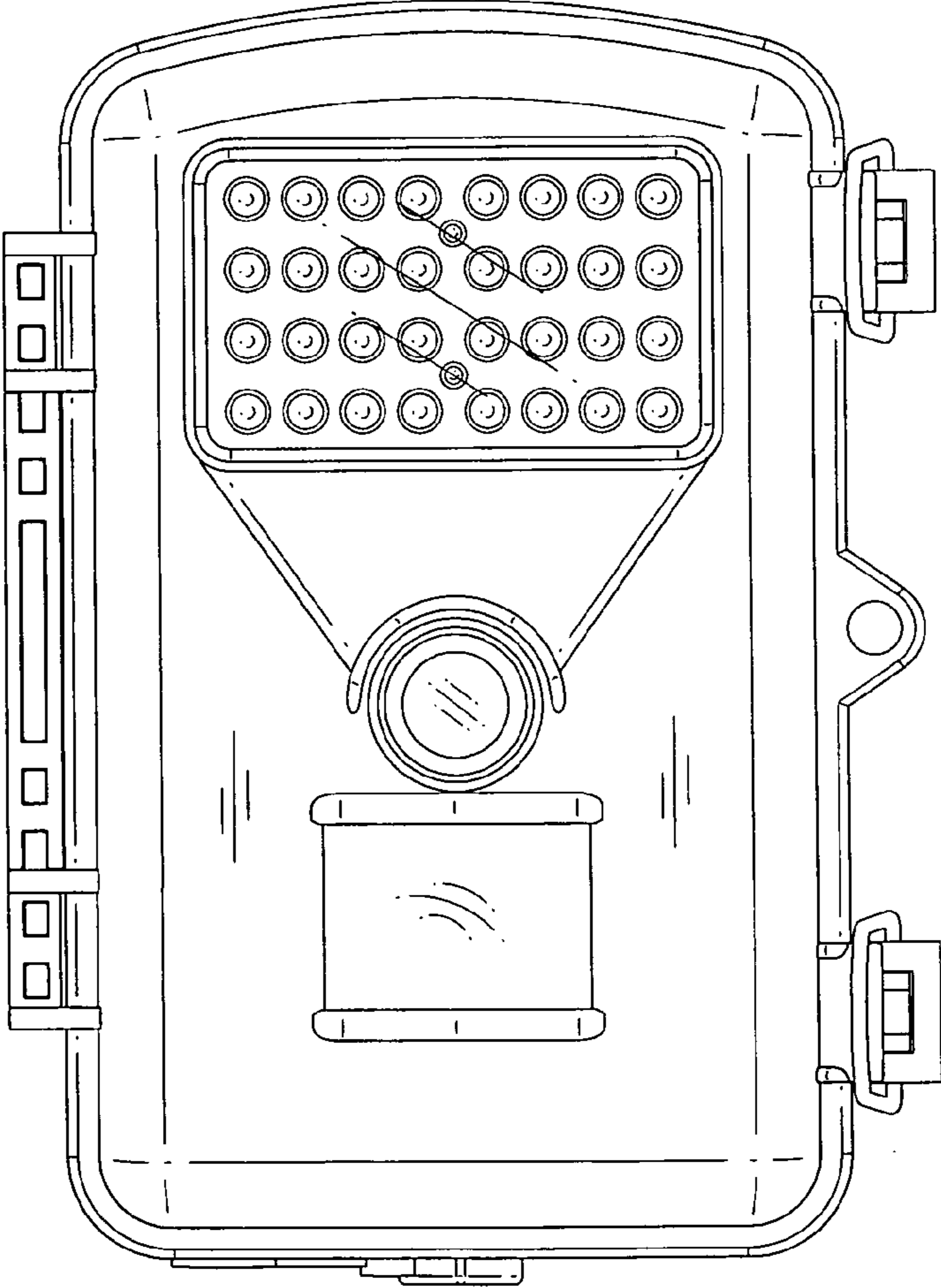


FIG.2

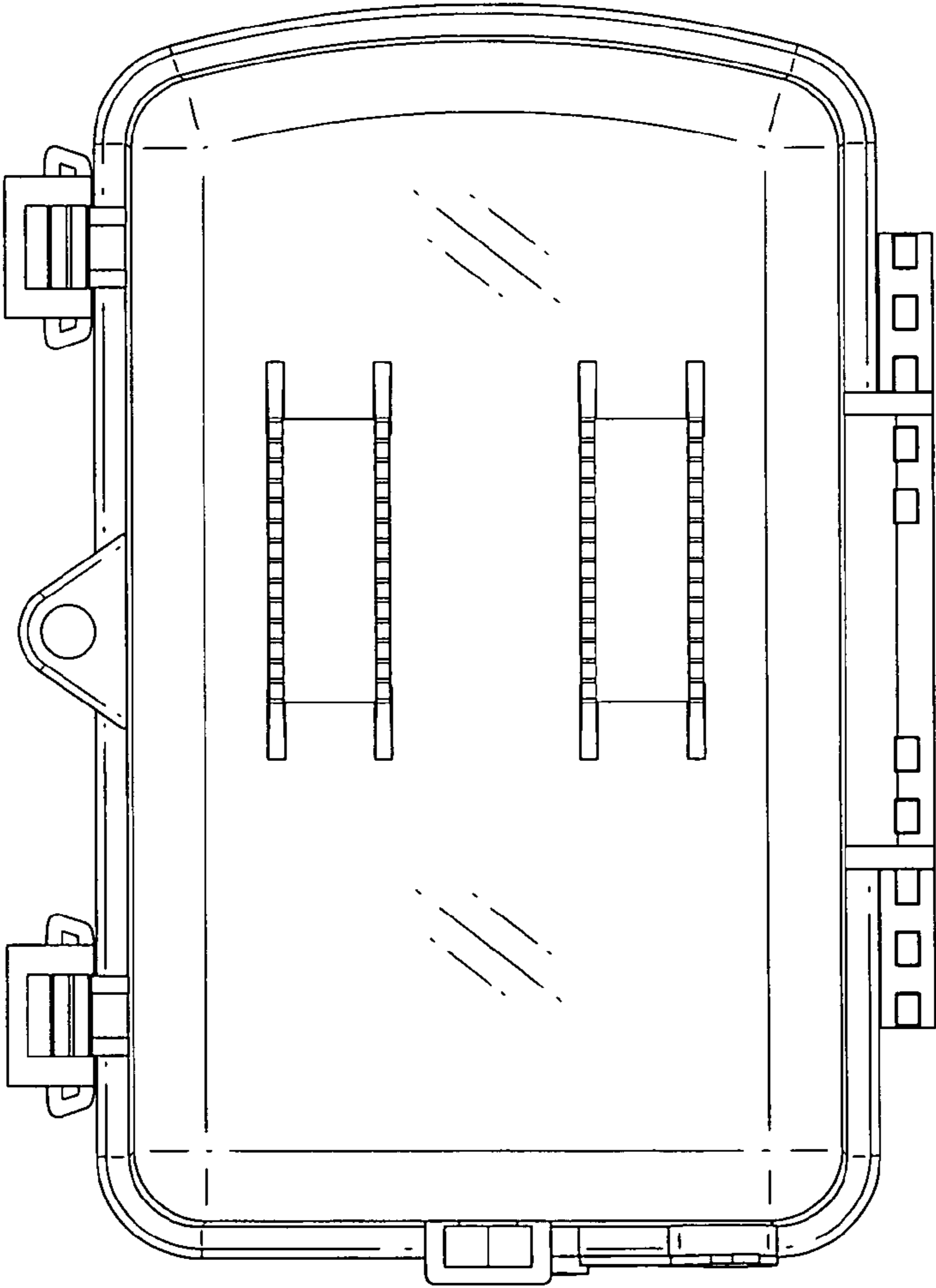


FIG.3

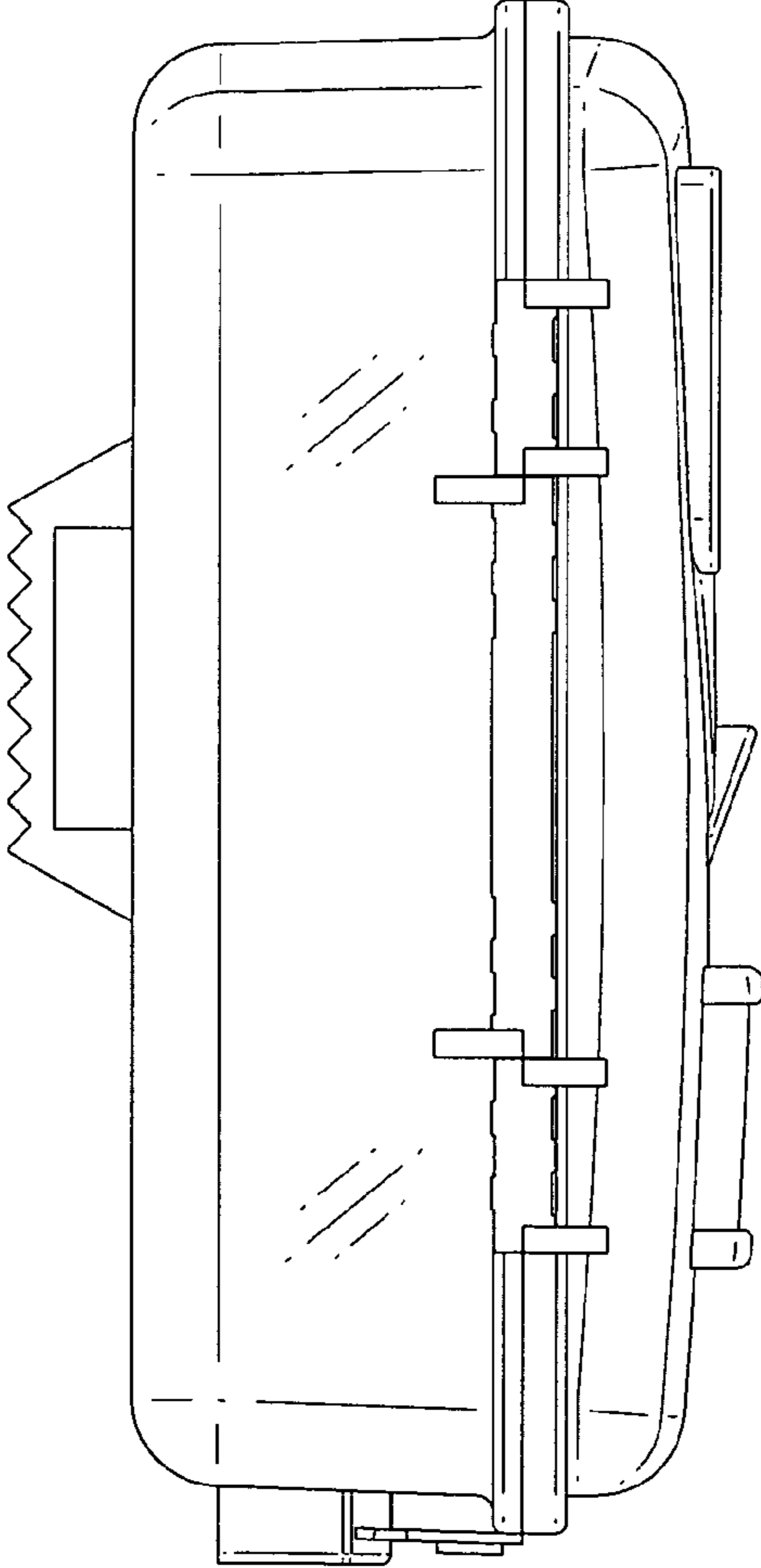


FIG.4

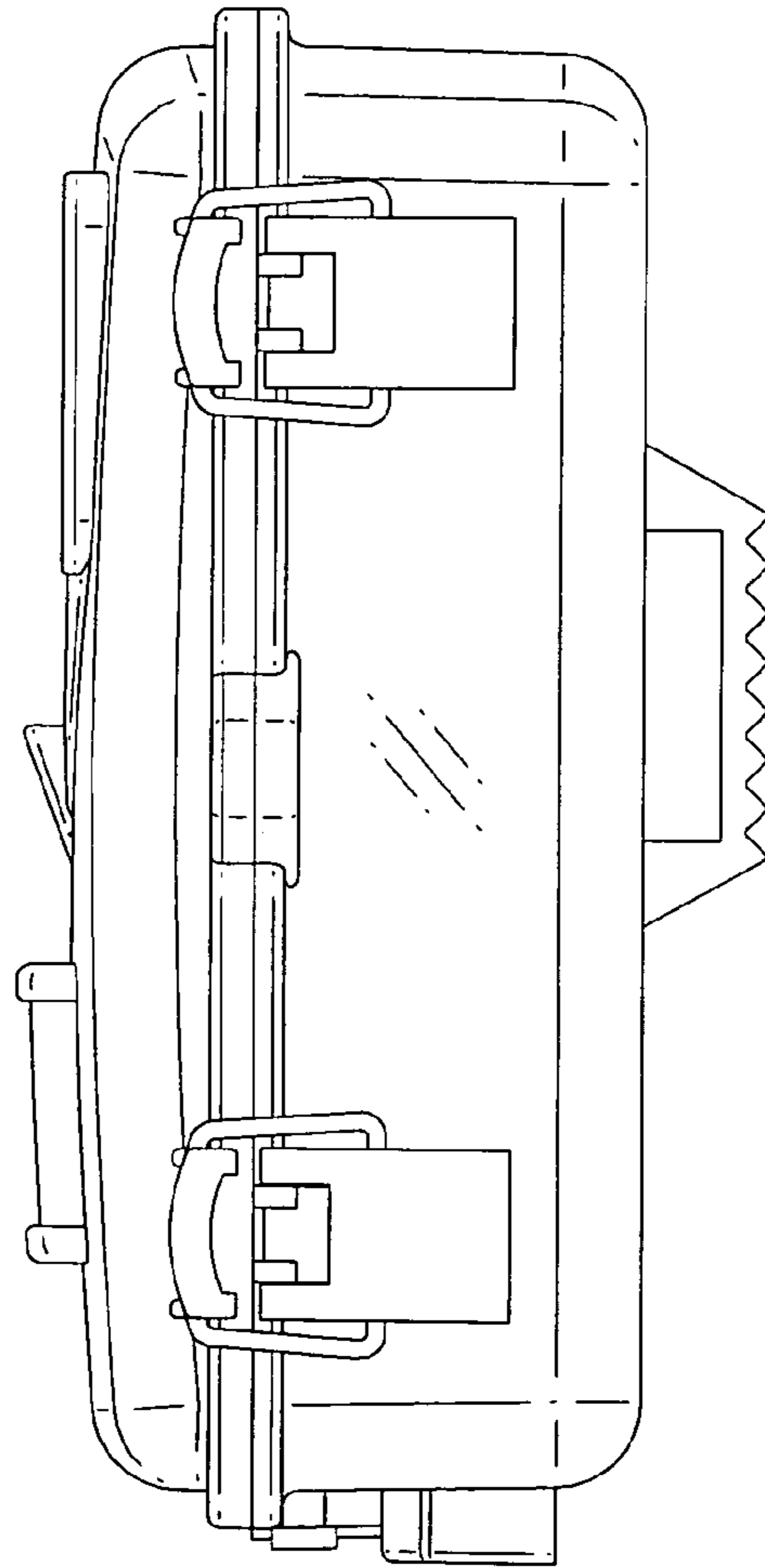


FIG.5

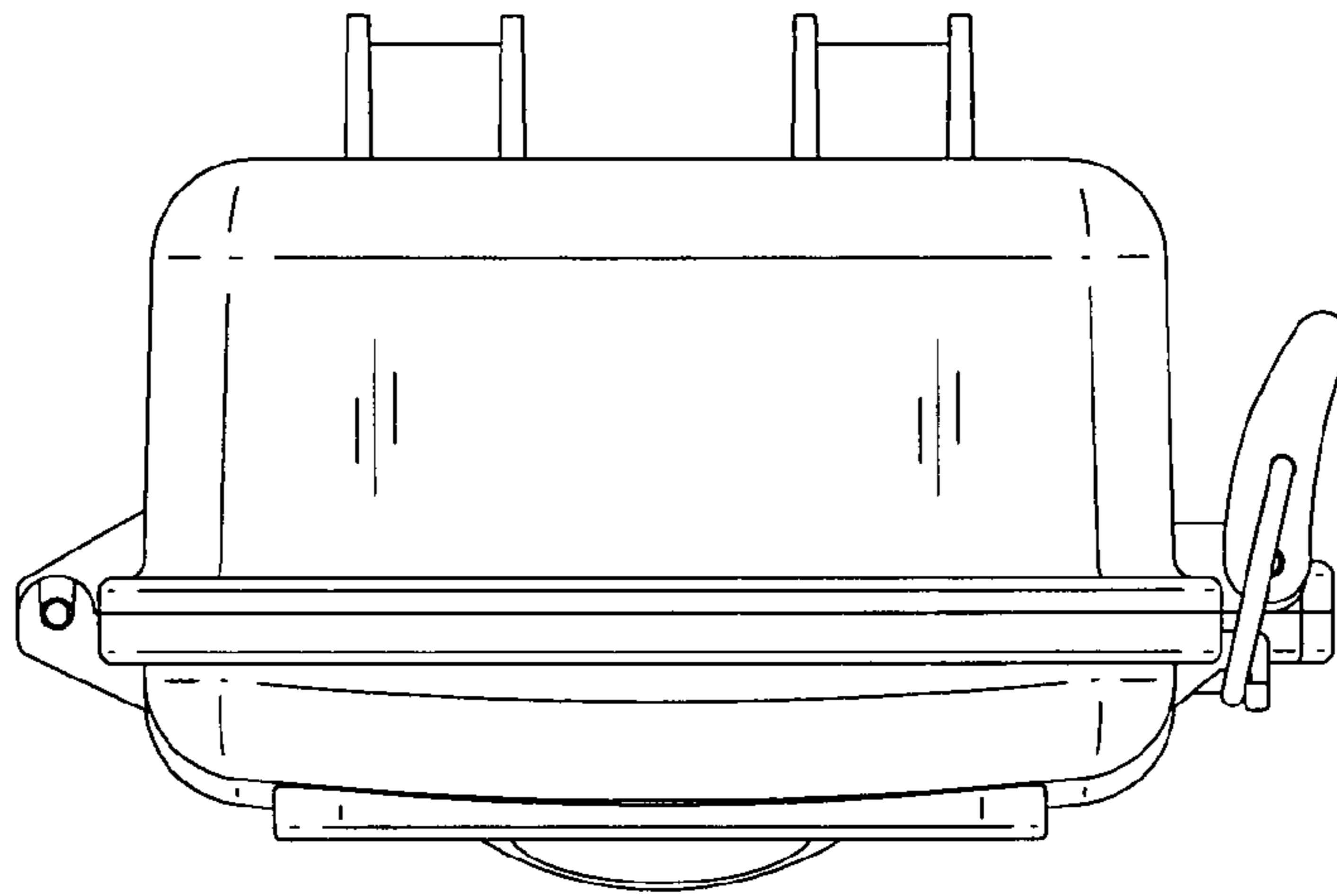


FIG.6

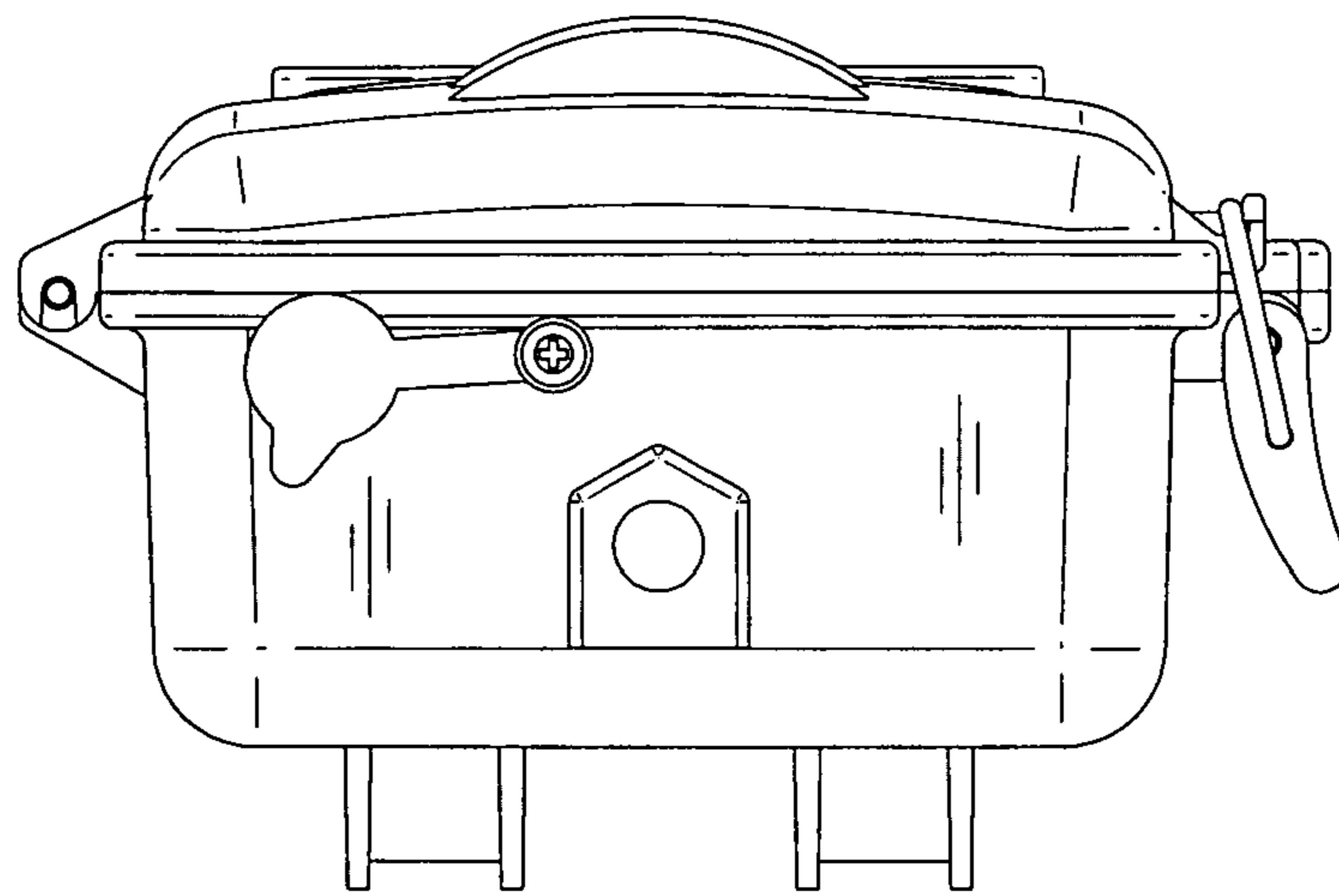


FIG.7



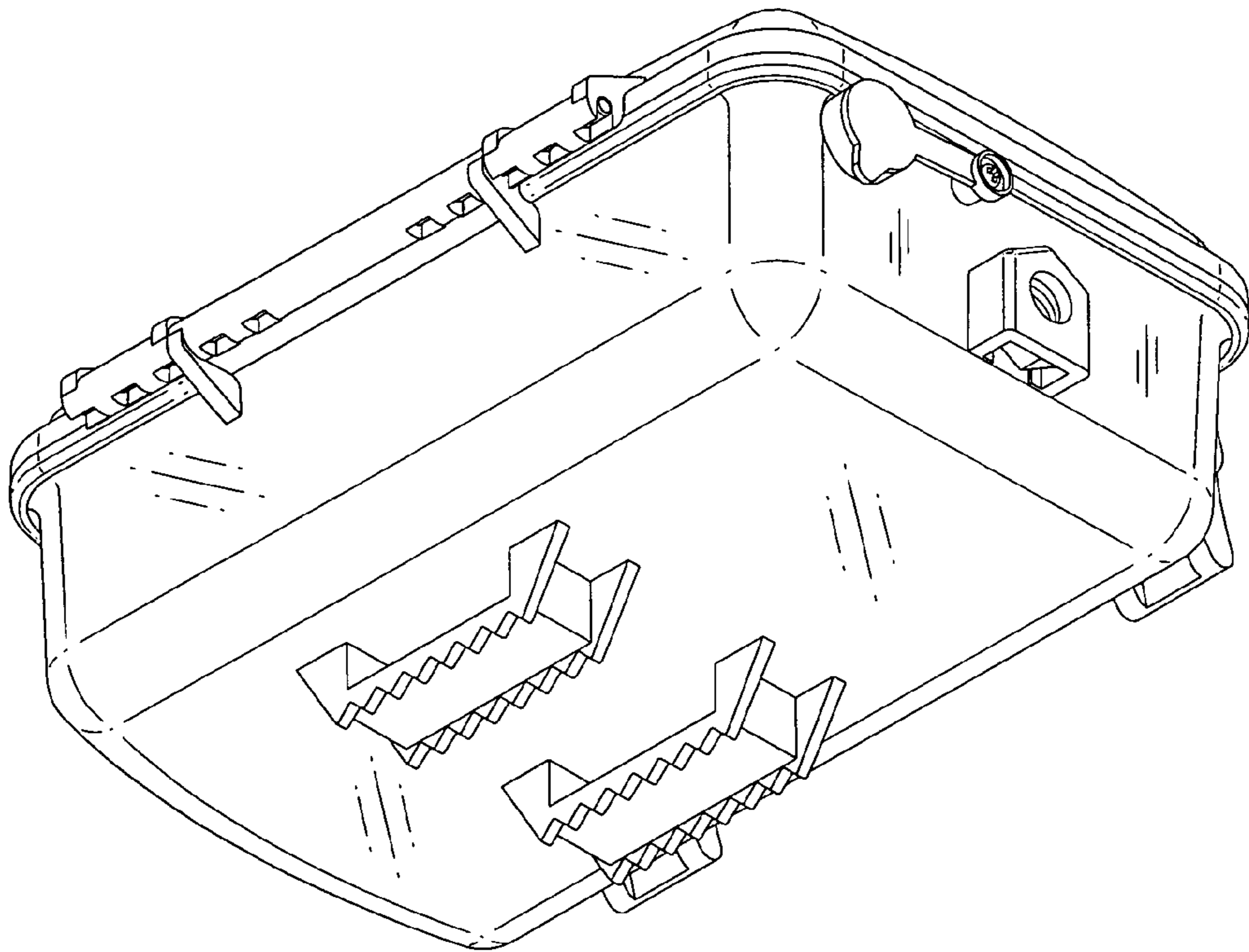


FIG.8