



US00D638042S

(12) **United States Design Patent**
Liao

(10) **Patent No.:** **US D638,042 S**

(45) **Date of Patent:** **** May 17, 2011**

(54) **OIL COLLECTOR**

(76) Inventor: **Ying-Chieh Liao**, Taichung (TW)

(**) Term: **14 Years**

(21) Appl. No.: **29/382,158**

(22) Filed: **Dec. 29, 2010**

(51) **LOC (9) Cl.** **15-99**

(52) **U.S. Cl.** **D15/152**

(58) **Field of Classification Search** D7/79;
D9/337, 374, 378; D15/150, 151, 152; D34/1,
D34/12, 17, 23; 184/29, 36, 42, 45.1, 55.1,
184/105.1; 222/254, 256, 258, 359, 389,
222/628; 277/513, 514, 520; 384/132; 417/234,
417/540; 464/7

See application file for complete search history.

(56) **References Cited**

U.S. PATENT DOCUMENTS

1,506,028	A *	8/1924	Perritt	184/1.5
2,707,351	A *	5/1955	Walker	47/39
D302,944	S *	8/1989	Mount	D15/152
D337,774	S *	7/1993	Schillinger	D15/150
5,472,220	A *	12/1995	Stephan	280/79.5
D389,973	S *	1/1998	Murray	D34/23
D461,614	S *	8/2002	Liu	D34/23
6,488,293	B1 *	12/2002	Mitchell et al.	280/47.34
D470,871	S *	2/2003	Burger et al.	D15/150

6,729,631	B2 *	5/2004	Trine et al.	280/79.5
D498,487	S *	11/2004	Iwamasa et al.	D15/152
6,893,032	B2 *	5/2005	Kershaw	280/79.5
D549,920	S *	8/2007	Dukes	D34/23
D560,047	S *	1/2008	Kershaw	D32/54
D573,774	S *	7/2008	Archer	D34/28
D623,198	S *	9/2010	Lai	D15/5

* cited by examiner

Primary Examiner — Patricia Palasik

(74) *Attorney, Agent, or Firm* — Muncy, Geissler, Olds & Lowe, PLLC

(57) **CLAIM**

I claim the ornamental design for an oil collector, as shown and described.

DESCRIPTION

FIG. 1 is a perspective view of an oil collector showing my new design;

FIG. 2 is a front view thereof;

FIG. 3 is a rear view thereof;

FIG. 4 is a left view thereof;

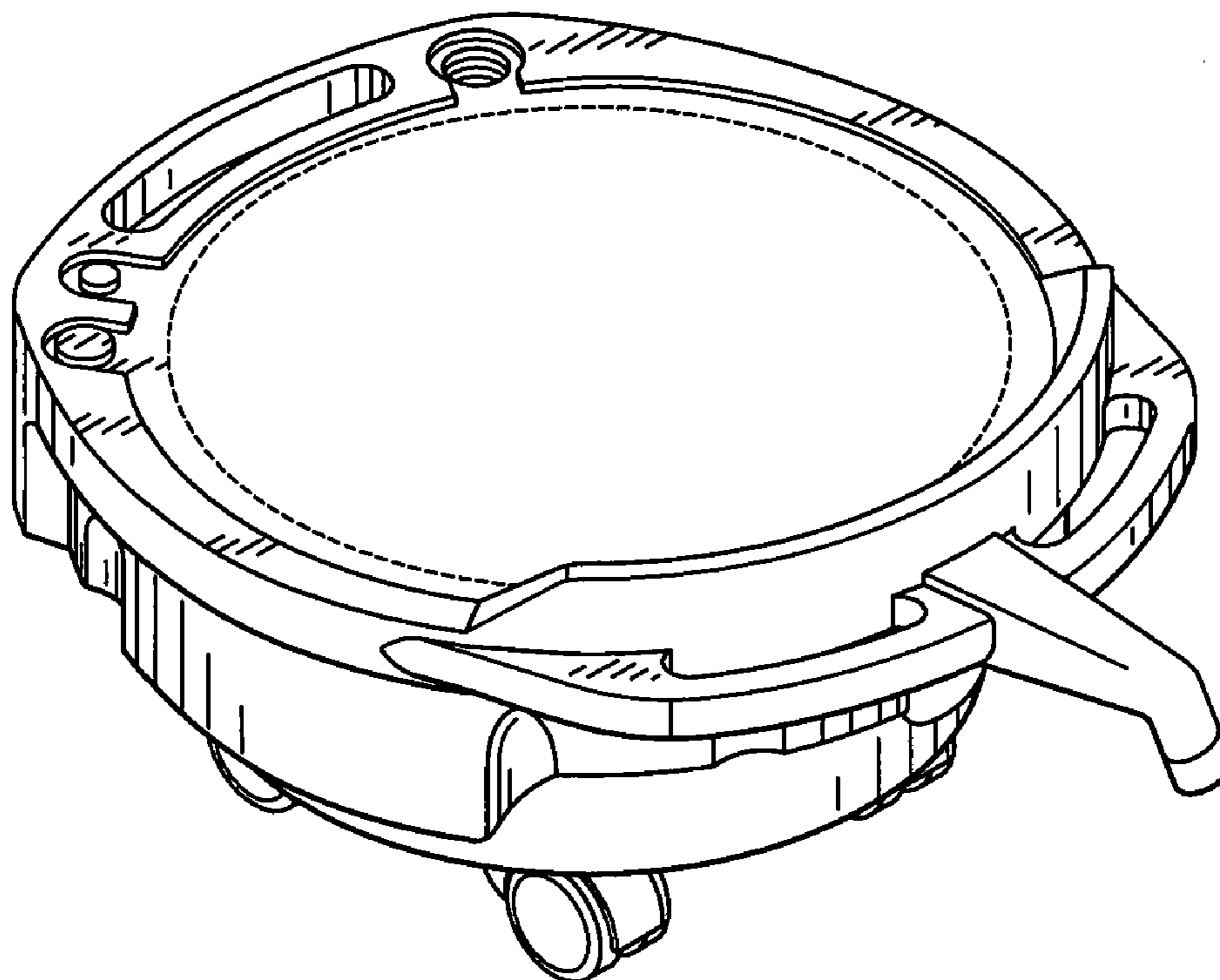
FIG. 5 is a right view thereof;

FIG. 6 is a top plan view thereof; and,

FIG. 7 is a bottom plan view thereof.

The internal portions of the holes in FIGS. 1 and 6 are shown in broken lines for illustrative purposes only and form no part of the claimed design.

1 Claim, 4 Drawing Sheets



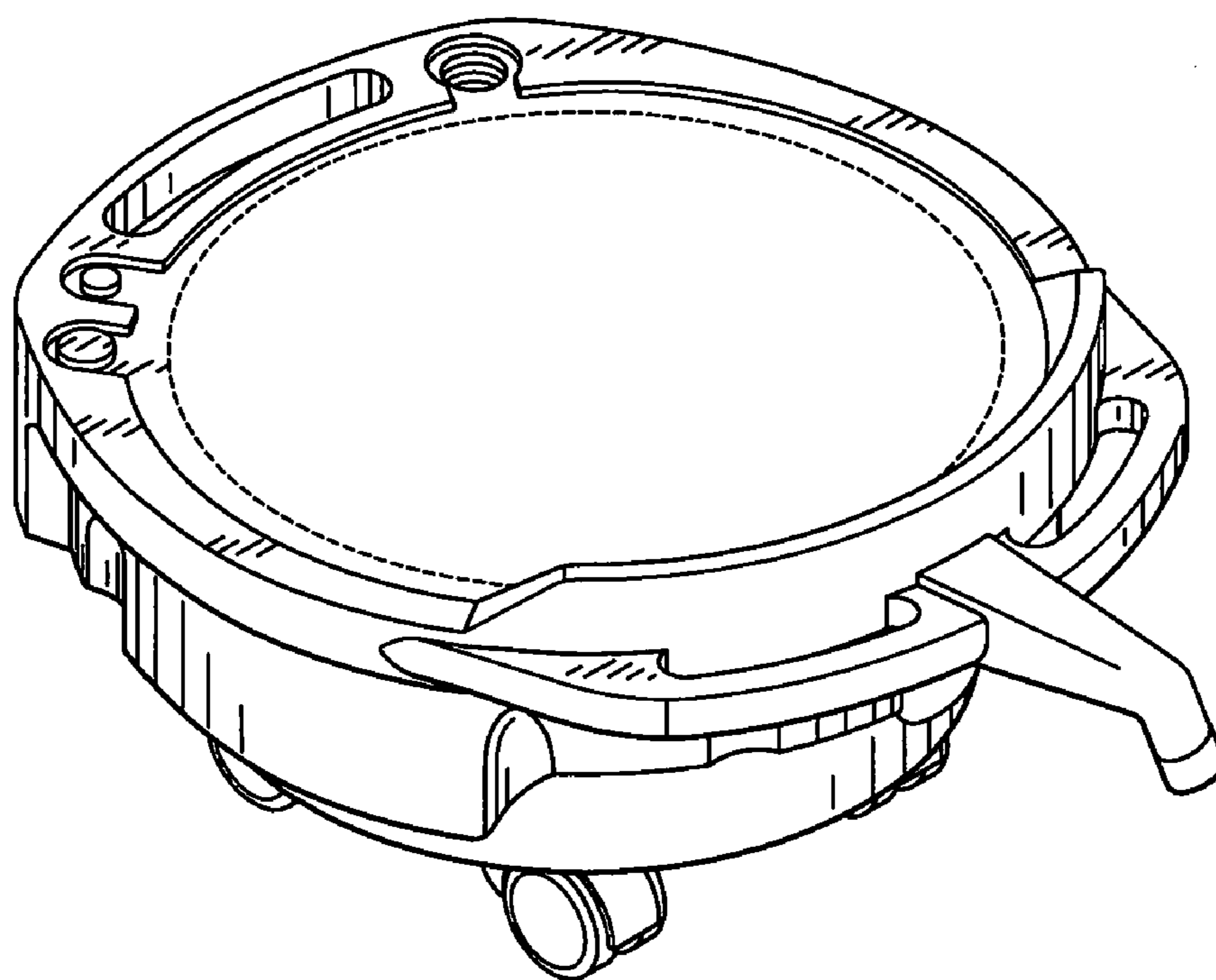


FIG. 1

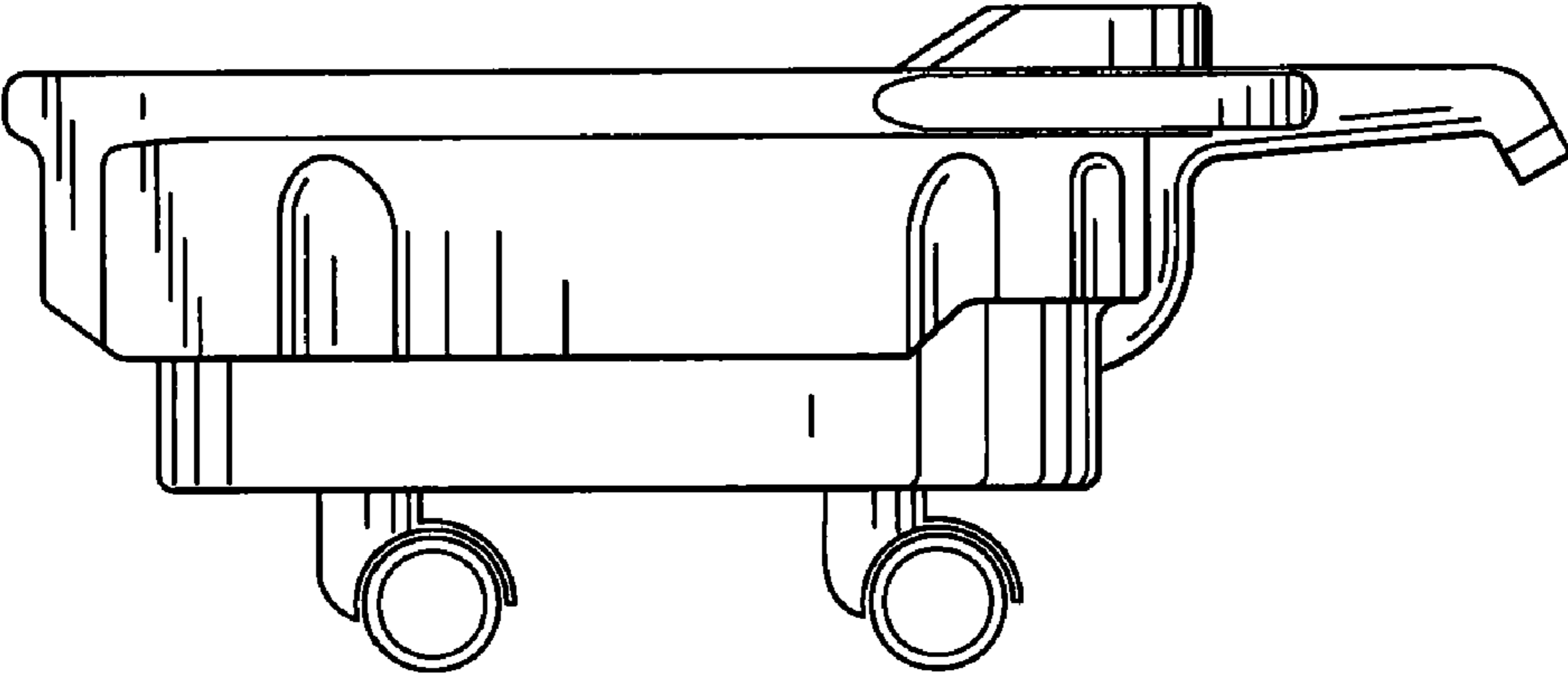


FIG. 2

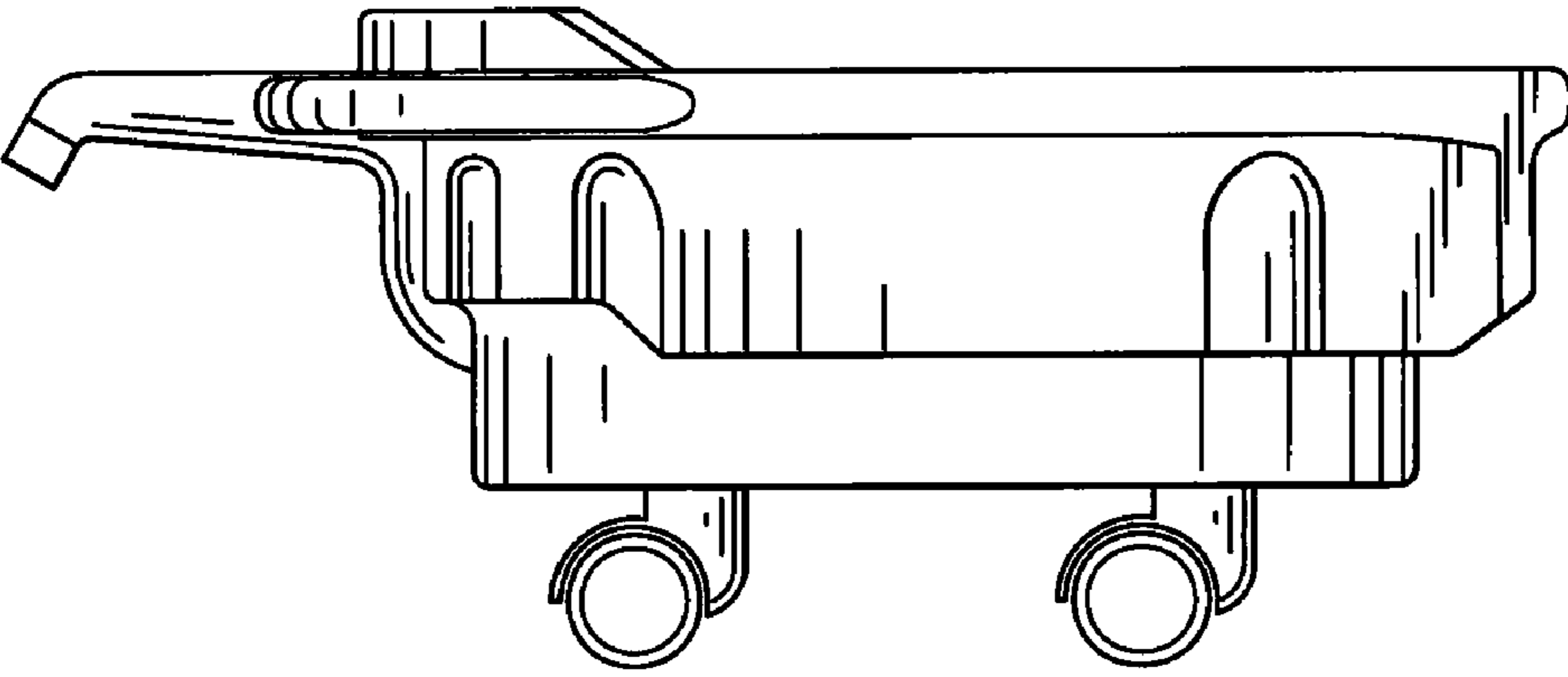


FIG. 3

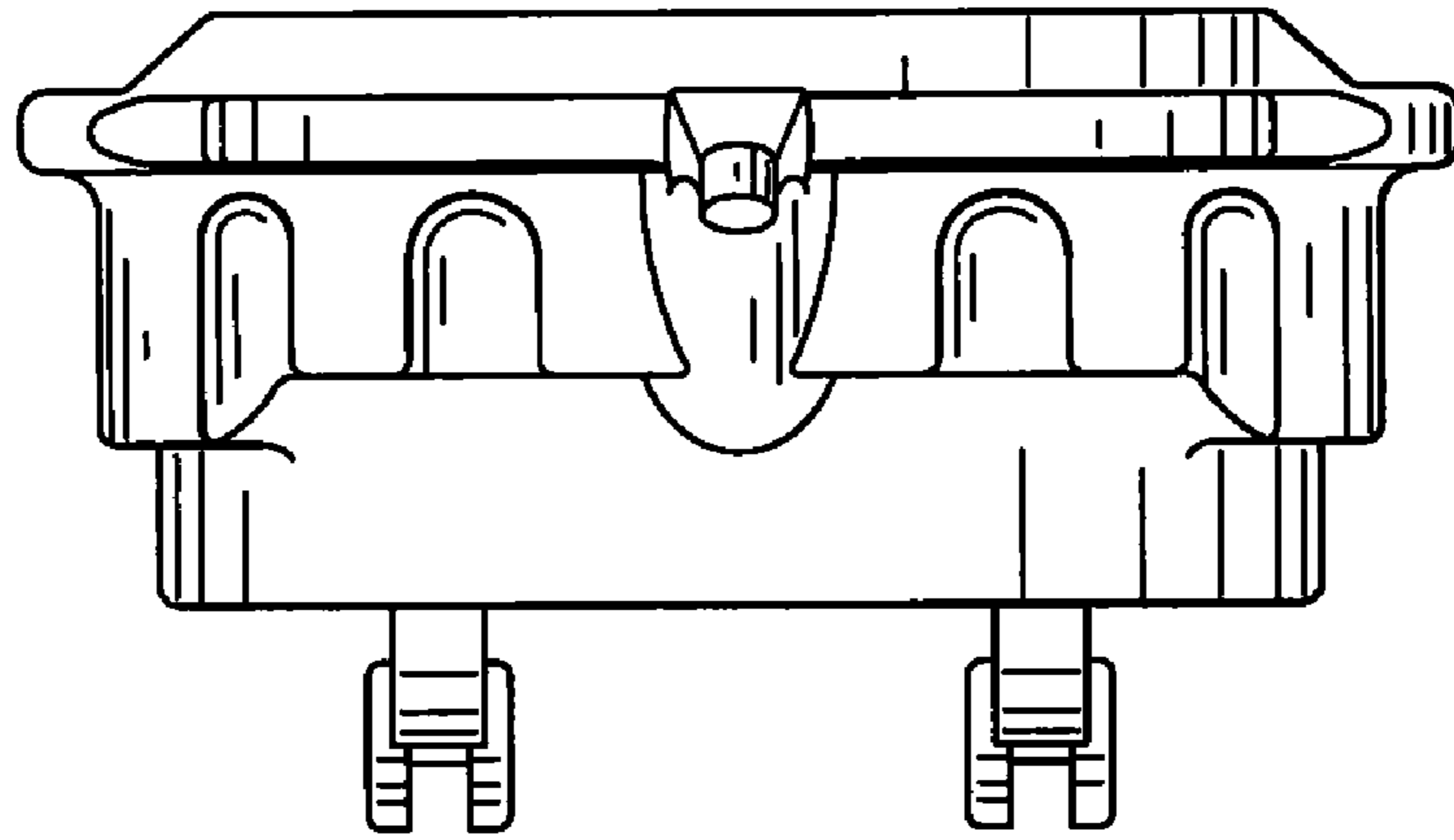


FIG. 5

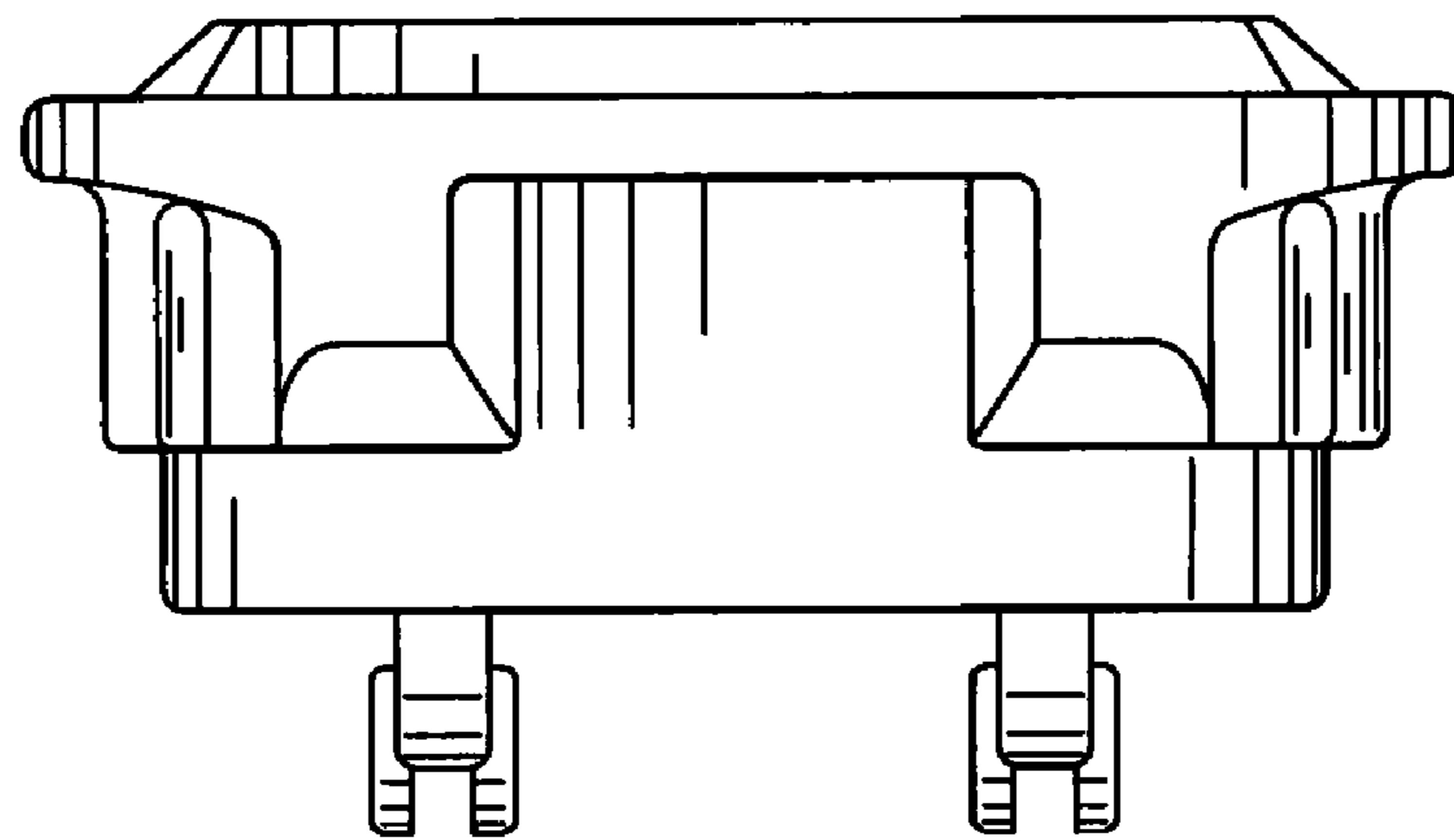


FIG. 4

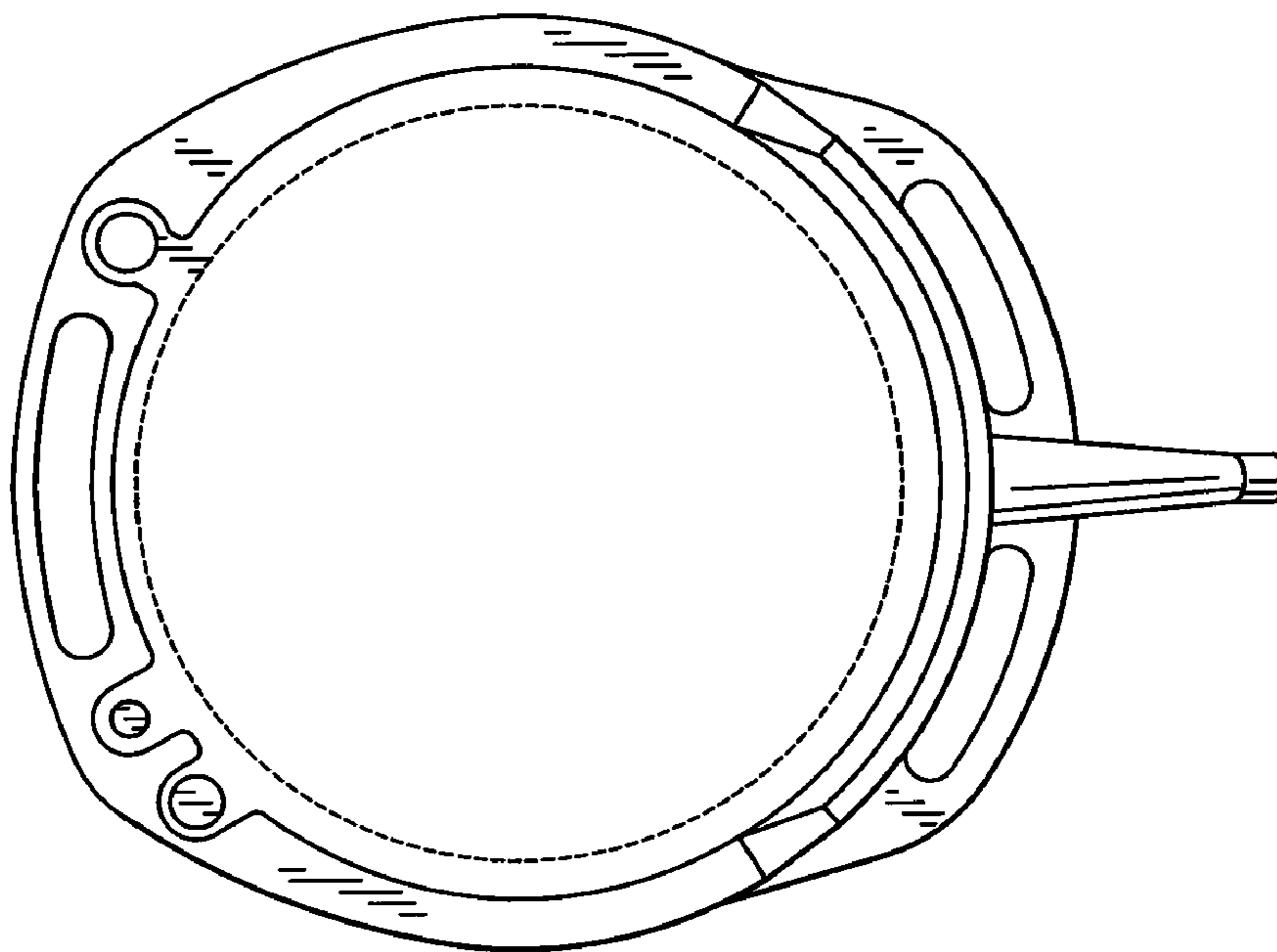


FIG. 6

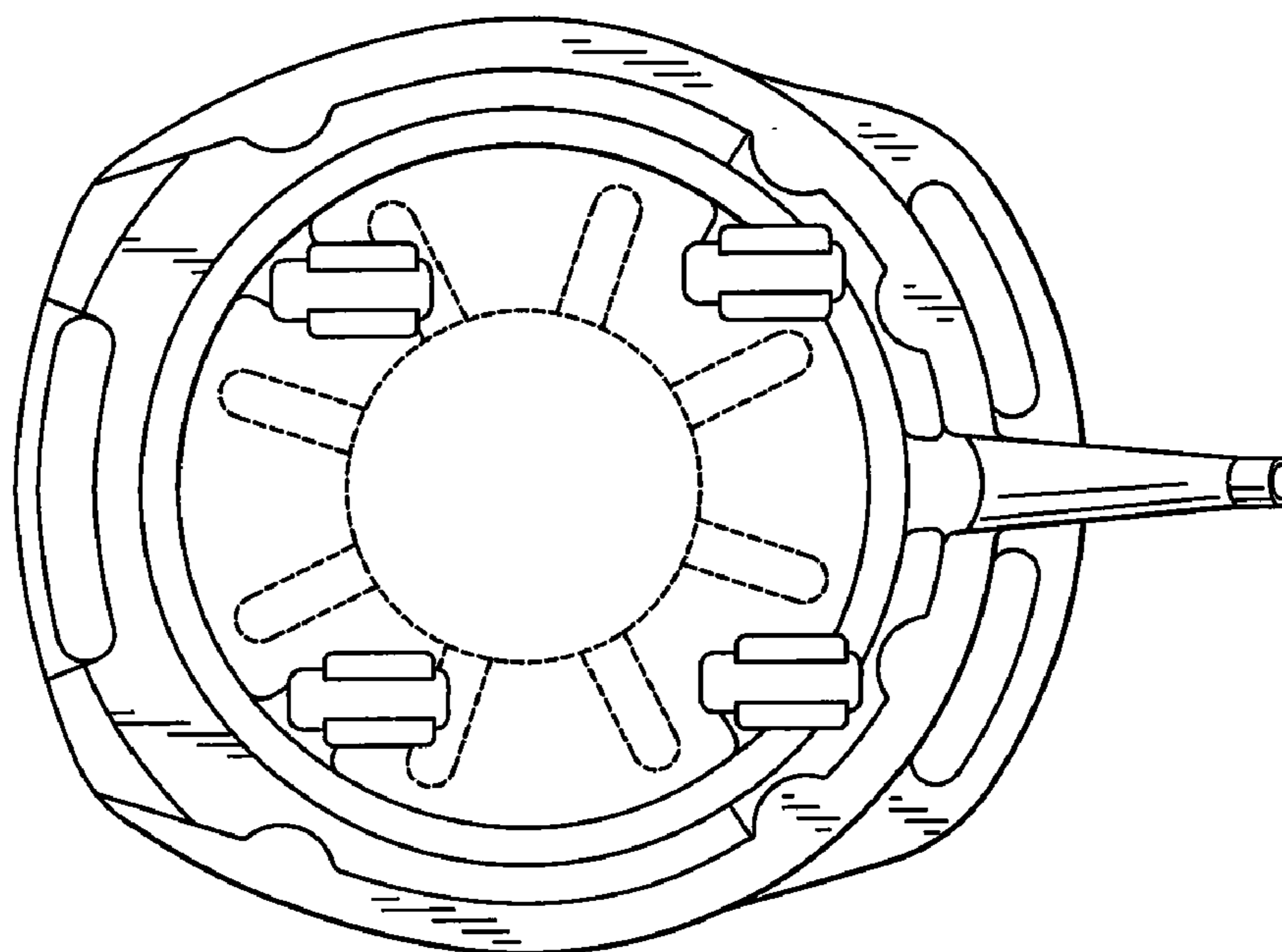


FIG. 7