



US00D638040S

(12) **United States Design Patent**  
**Dale**

(10) **Patent No.:** **US D638,040 S**

(45) **Date of Patent:** **\*\* May 17, 2011**

(54) **LIGHT DUTY PORTABLE SAWMILL**

(76) **Inventor:** **Peter Dale, Kilworthy (CA)**

(\*\*) **Term:** **14 Years**

(21) **Appl. No.:** **29/361,030**

(22) **Filed:** **May 4, 2010**

(30) **Foreign Application Priority Data**

Nov. 23, 2009 (CA) ..... 133049

(51) **LOC (9) Cl.** ..... **15-09**

(52) **U.S. Cl.** ..... **D15/127**

(58) **Field of Classification Search** ..... D15/127,  
D15/133, 199; 83/36, 102.1, 112, 113, 120,  
83/165, 364, 371, 404, 404.1, 425.2, 425.3,  
83/425.4, 435.2, 435.24, 435.26, 435.27,  
83/455, 461, 471.2, 471.3, 485, 486.1, 488,  
83/489, 492, 495, 574, 578, 613, 651, 703,  
83/707, 708, 713, 717, 719, 721, 743, 745,  
83/745.9, 746.8, 794, 795, 796, 797, 798,  
83/799, 800, 813, 878, 928; 144/1.1, 2.1,  
144/3.1, 39, 340, 357, 376, 378, 410, 420;  
198/519, 568, 632; 241/605

See application file for complete search history.

(56) **References Cited**

**U.S. PATENT DOCUMENTS**

3,747,455 A \* 7/1973 Hartzell et al. .... 83/403.1  
3,913,439 A \* 10/1975 Large ..... 83/707  
4,275,632 A \* 6/1981 Ross ..... 83/794  
4,559,858 A \* 12/1985 Laskowski et al. .... 83/801  
4,584,918 A \* 4/1986 Stubbe et al. .... 83/471.3

5,784,941 A \* 7/1998 Sanborn ..... 83/794  
5,819,626 A \* 10/1998 Lucas ..... 83/489  
6,722,248 B1 \* 4/2004 Johnston, Sr. .... 83/795  
7,444,912 B2 \* 11/2008 Fenton et al. .... 83/425.2  
D617,354 S \* 6/2010 Banjo et al. .... D15/127  
2006/0117926 A1 \* 6/2006 Dale et al. .... 83/485  
2006/0179982 A1 \* 8/2006 Fenton et al. .... 83/13  
2007/0234869 A1 \* 10/2007 Dale et al. .... 83/797  
2010/0132839 A1 \* 6/2010 Dale et al. .... 144/2.1  
2010/0180985 A1 \* 7/2010 Burton ..... 144/2.1

\* cited by examiner

*Primary Examiner* — Patricia Palasik

(74) *Attorney, Agent, or Firm* — Woodcock Washburn LLP

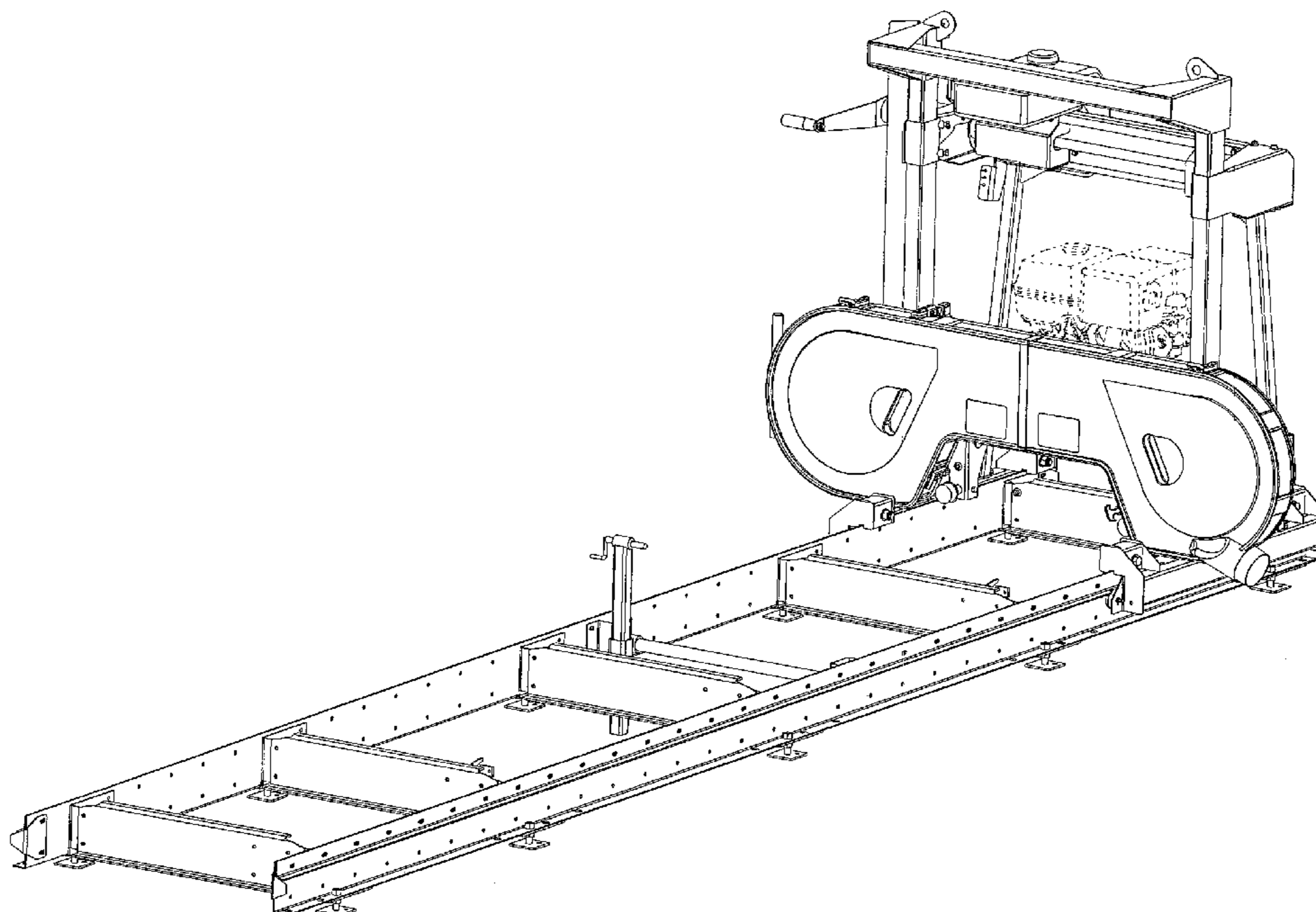
(57) **CLAIM**

I claim the ornamental design for a light duty portable sawmill, as shown and described.

**DESCRIPTION**

FIG. 1 is front right perspective view of the light duty portable sawmill showing my new design;  
FIG. 2 is a front left perspective view thereof;  
FIG. 3 is a right side elevation view of my new design;  
FIG. 4 is a rear elevation view of my new design;  
FIG. 5 is a right rear perspective view of my new design;  
FIG. 6 is a left rear perspective view of my new design;  
FIG. 7 is left side elevation view of my new design;  
FIG. 8 is a top plan view of my new design;  
FIG. 9 is a bottom plan view of my new design; and,  
FIG. 10 is a front elevation view of my new design.  
Parts of the design shown in broken lines in the figures are for illustrative purposes only and form no part of the claimed design.

**1 Claim, 10 Drawing Sheets**



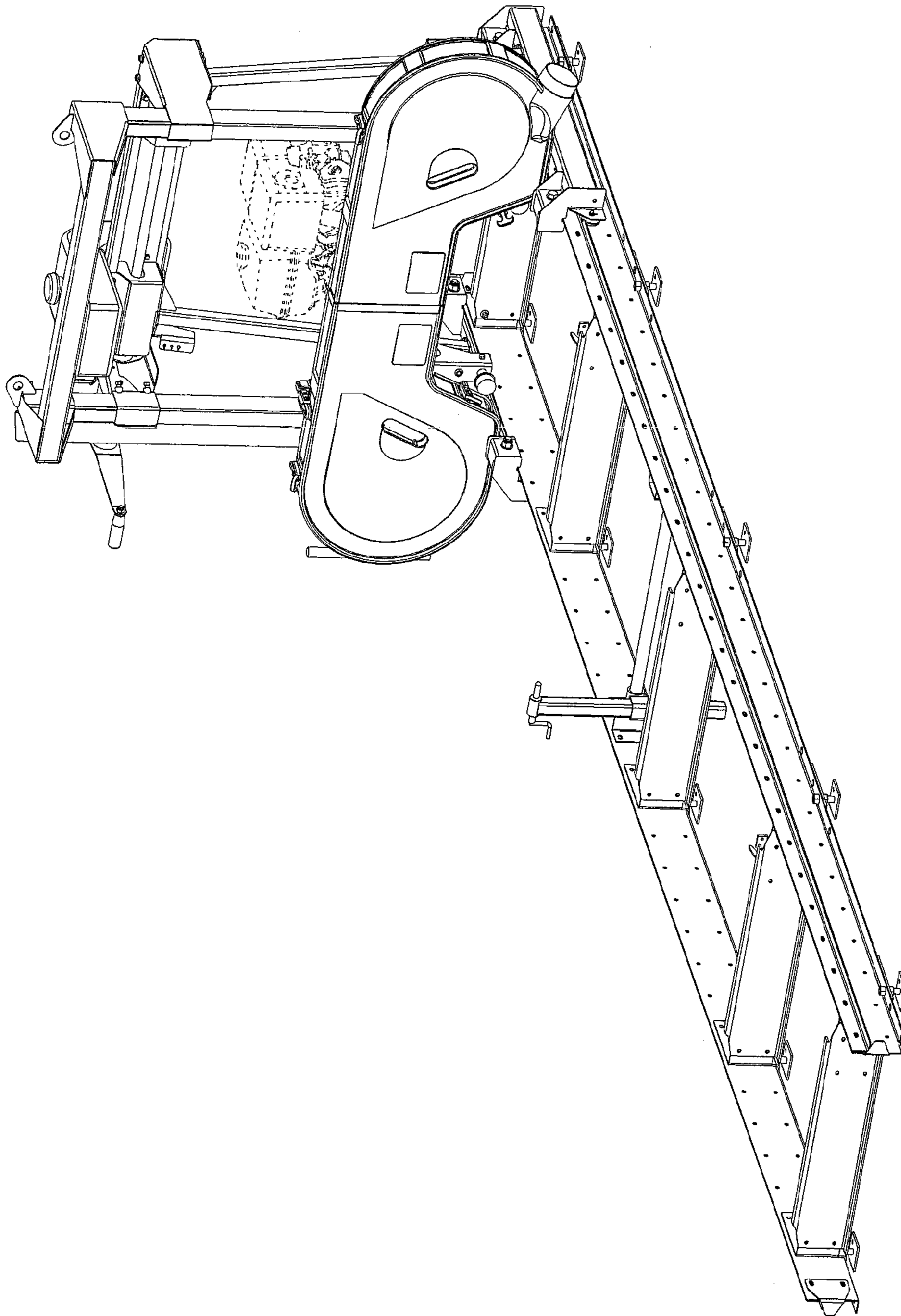


FIG.1

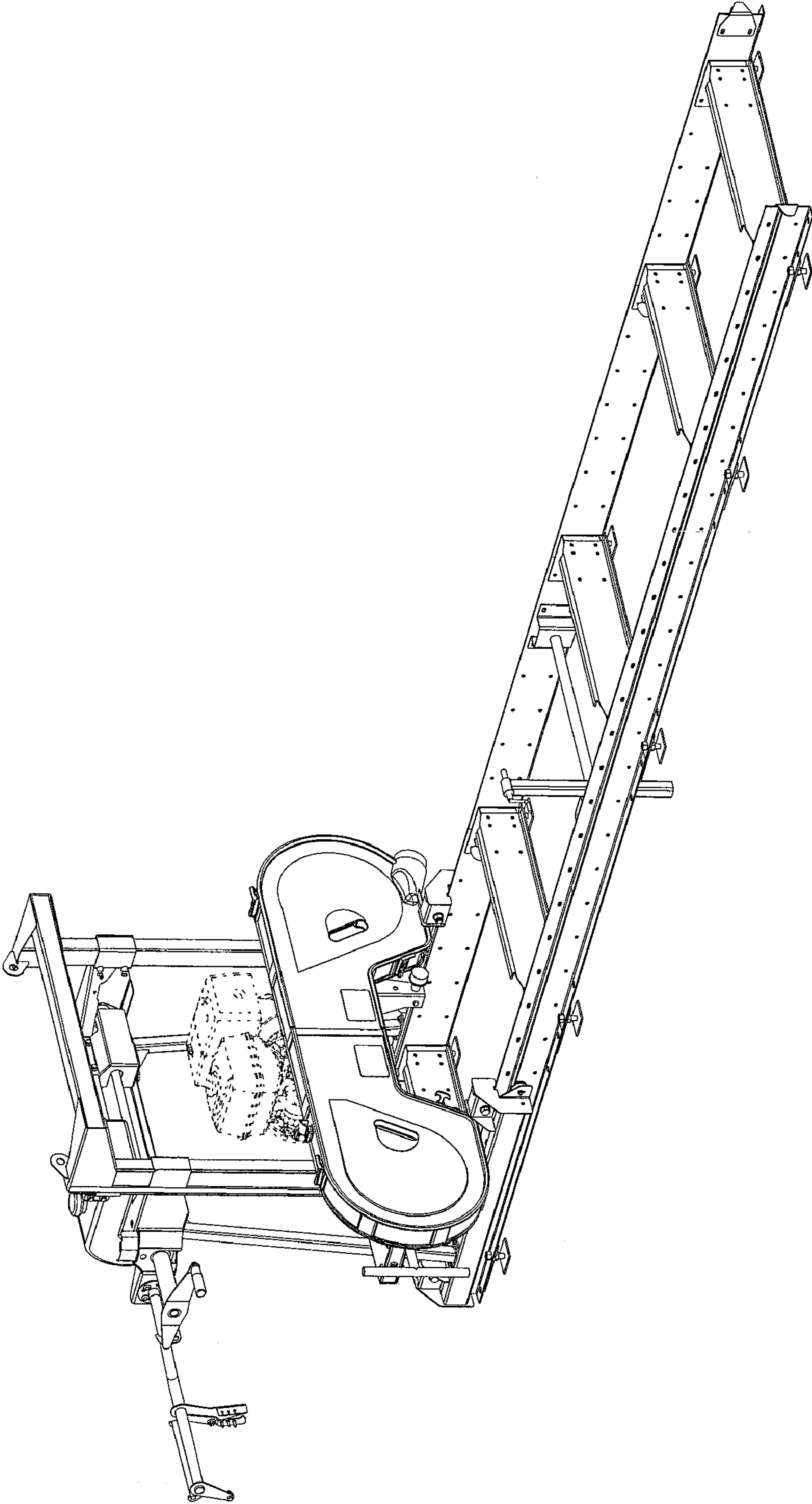


FIG.2

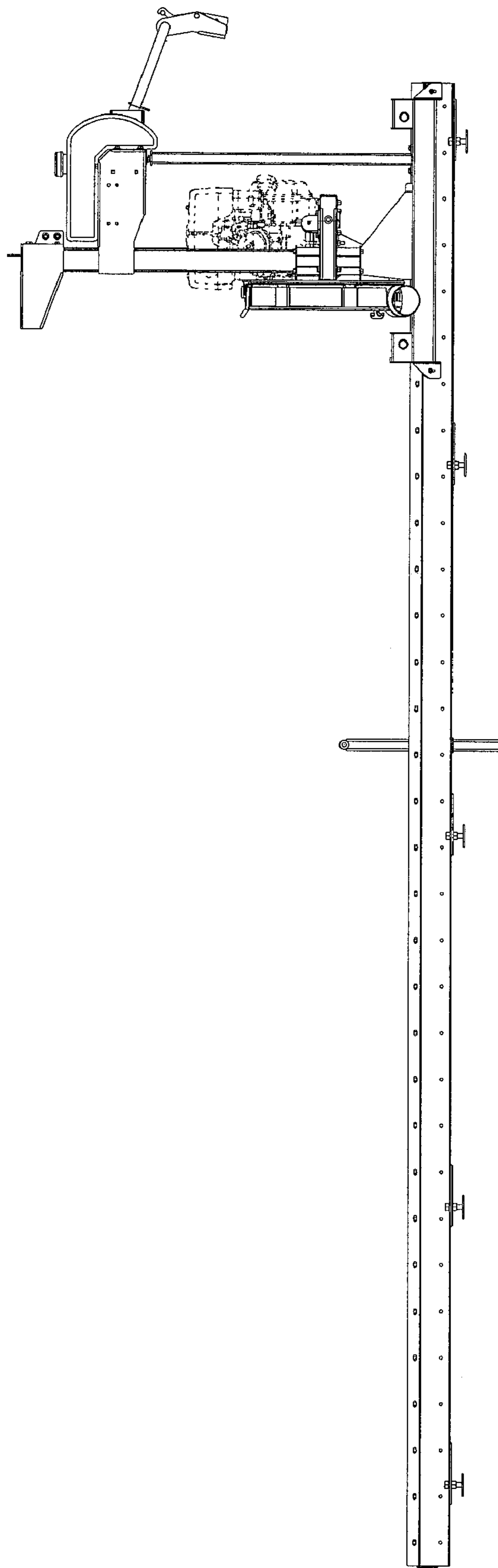


FIG.3



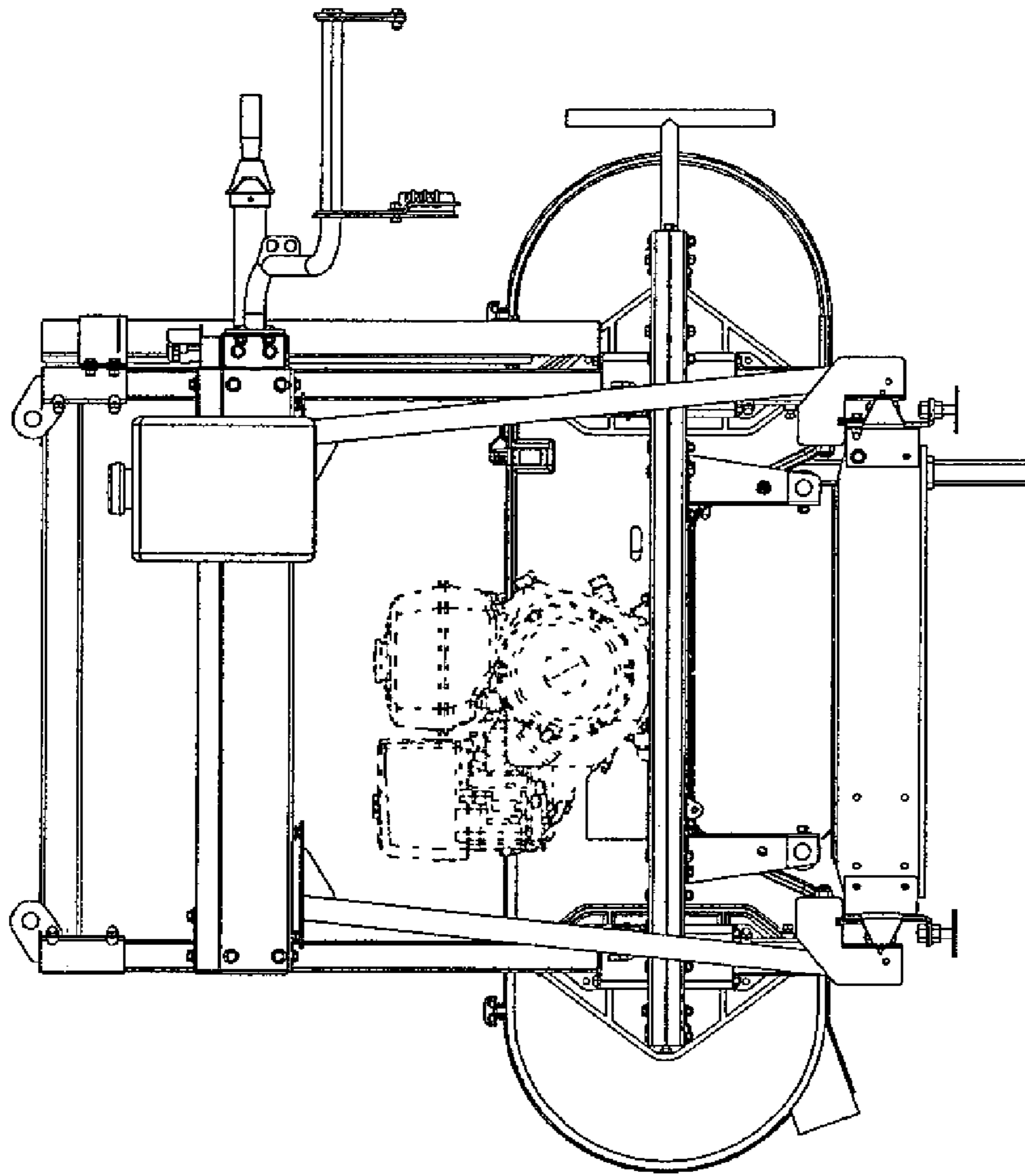


FIG.4

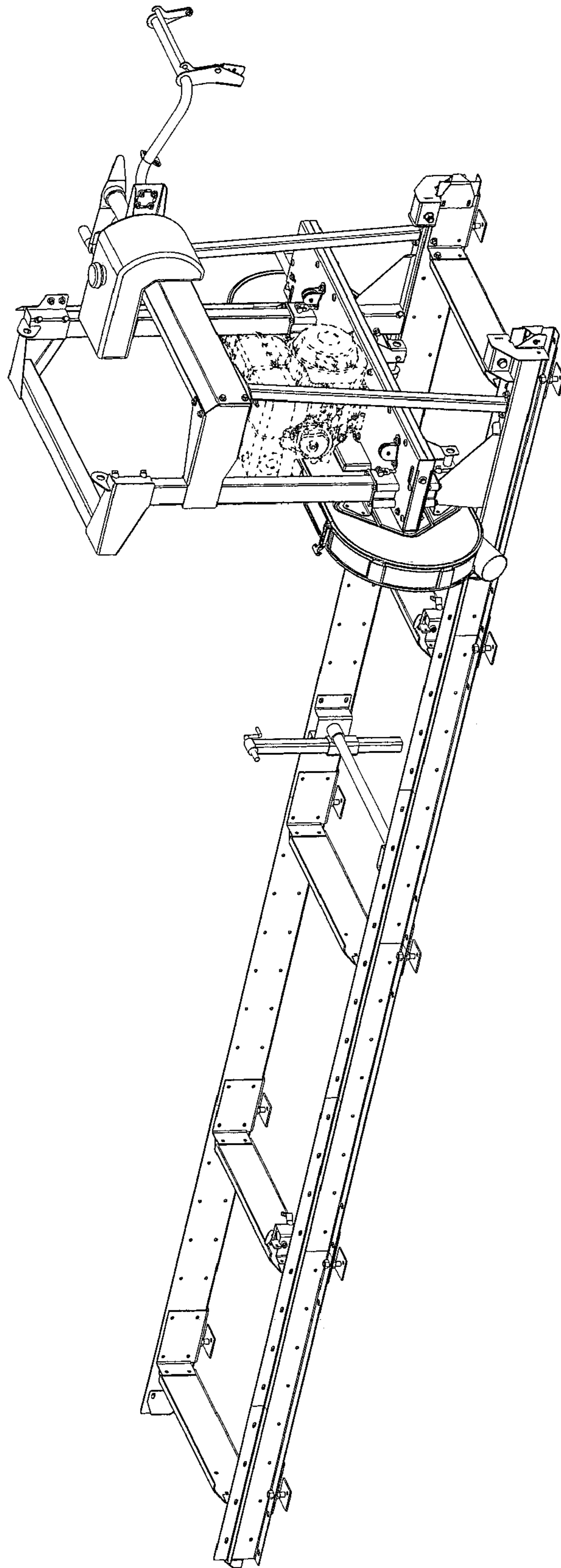


FIG.5

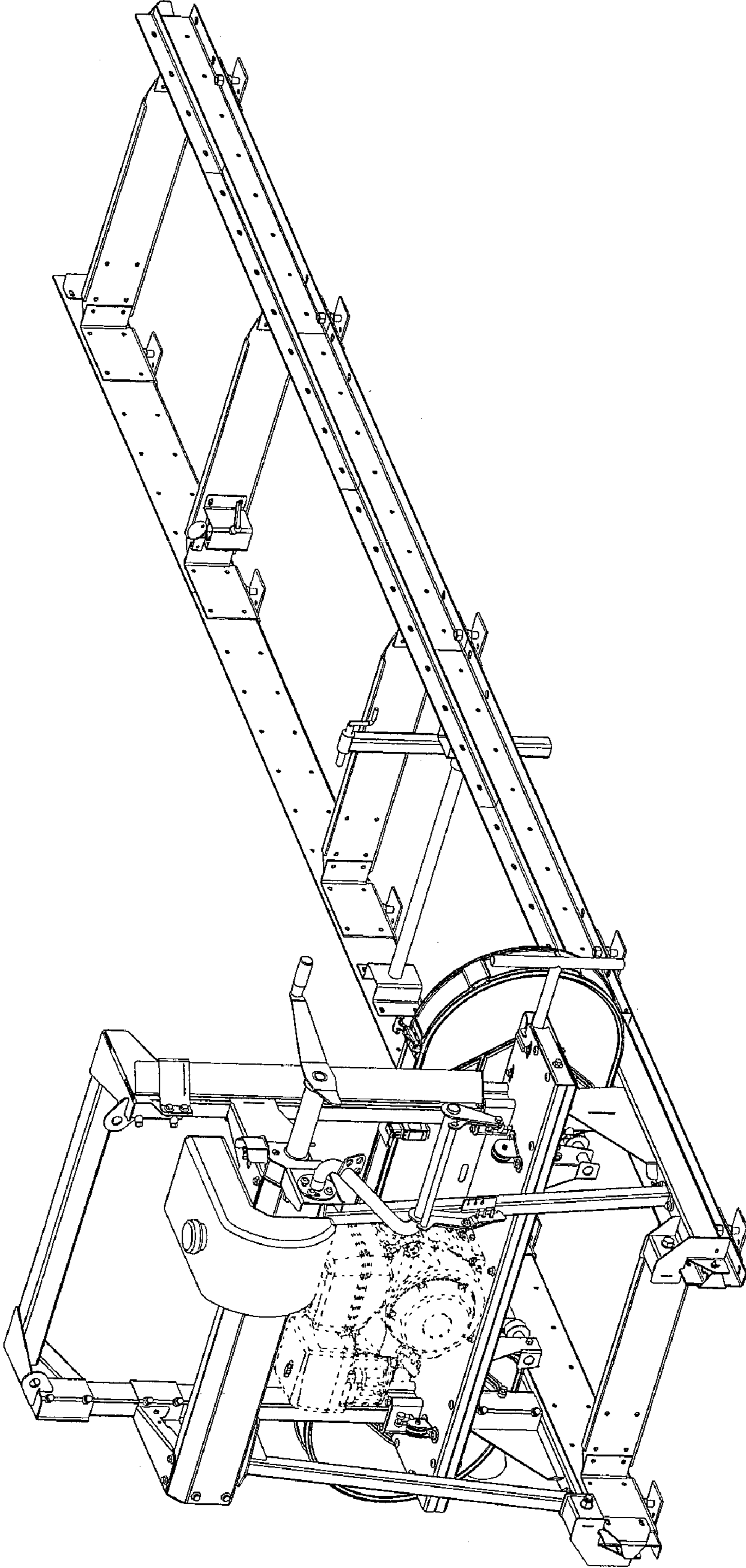


FIG.6

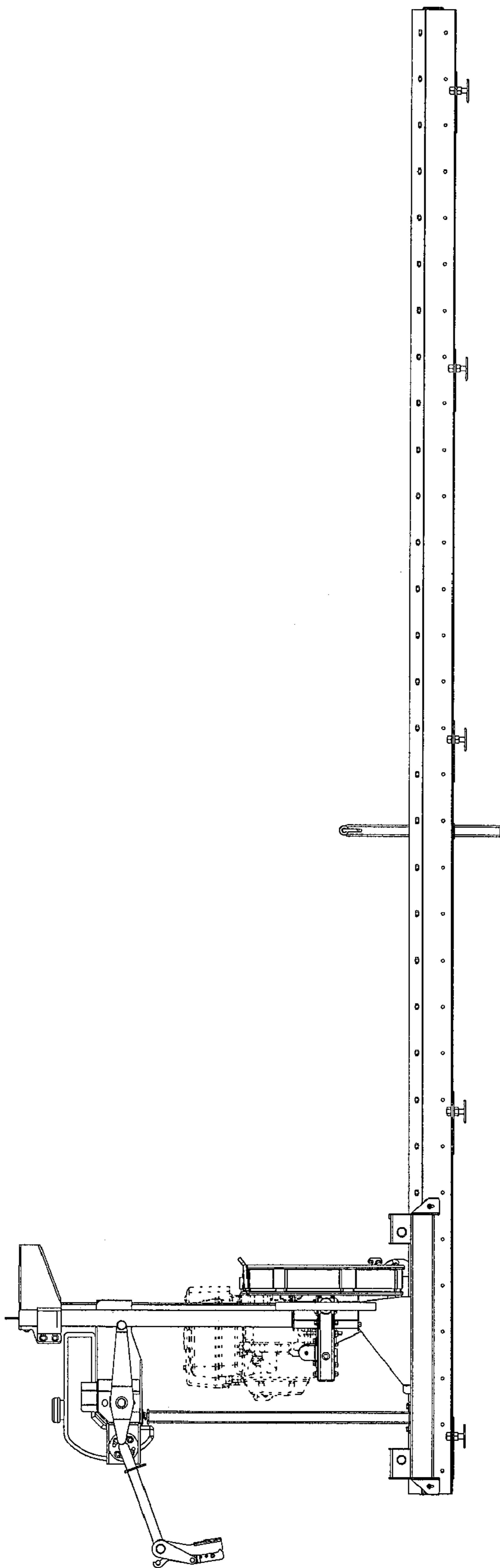


FIG.7



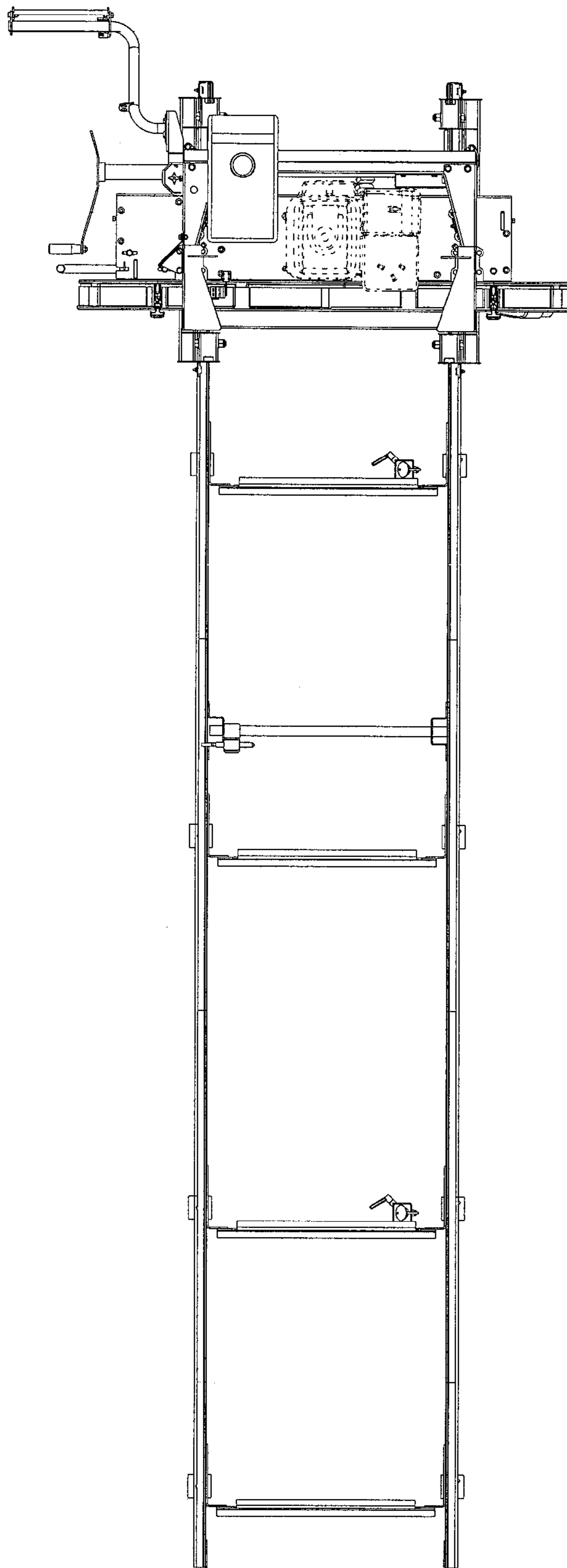


FIG.8

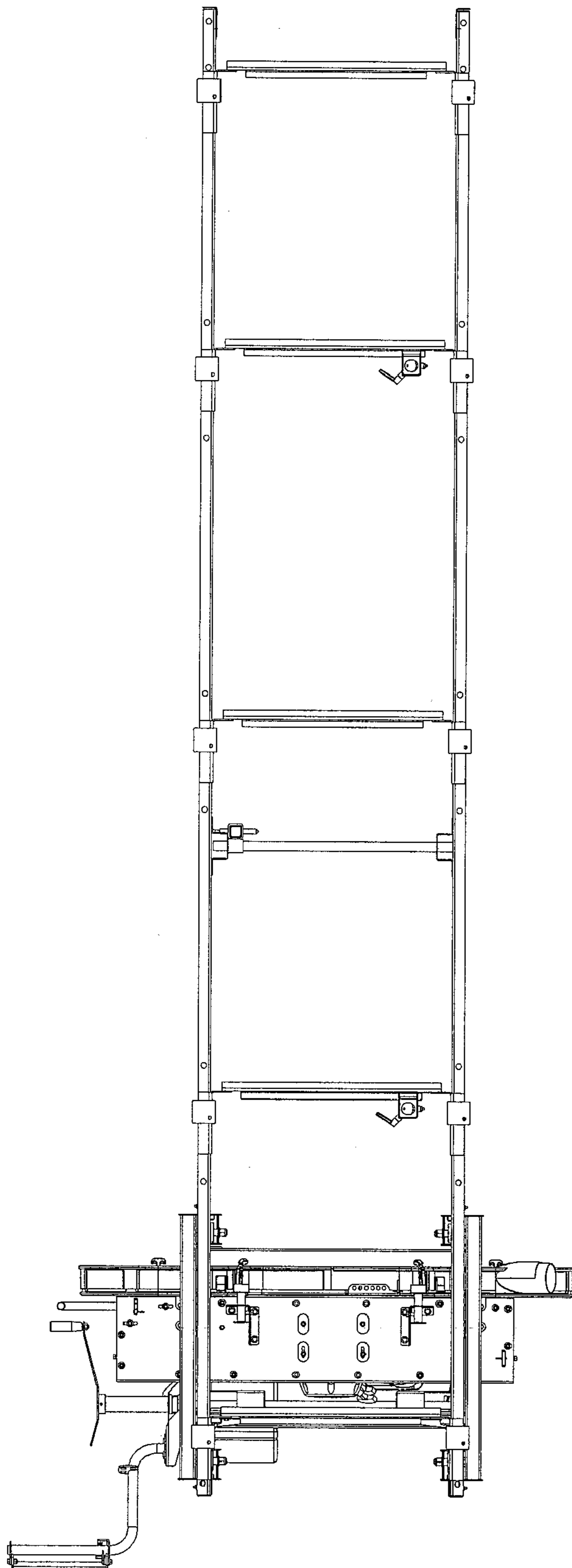


FIG.9

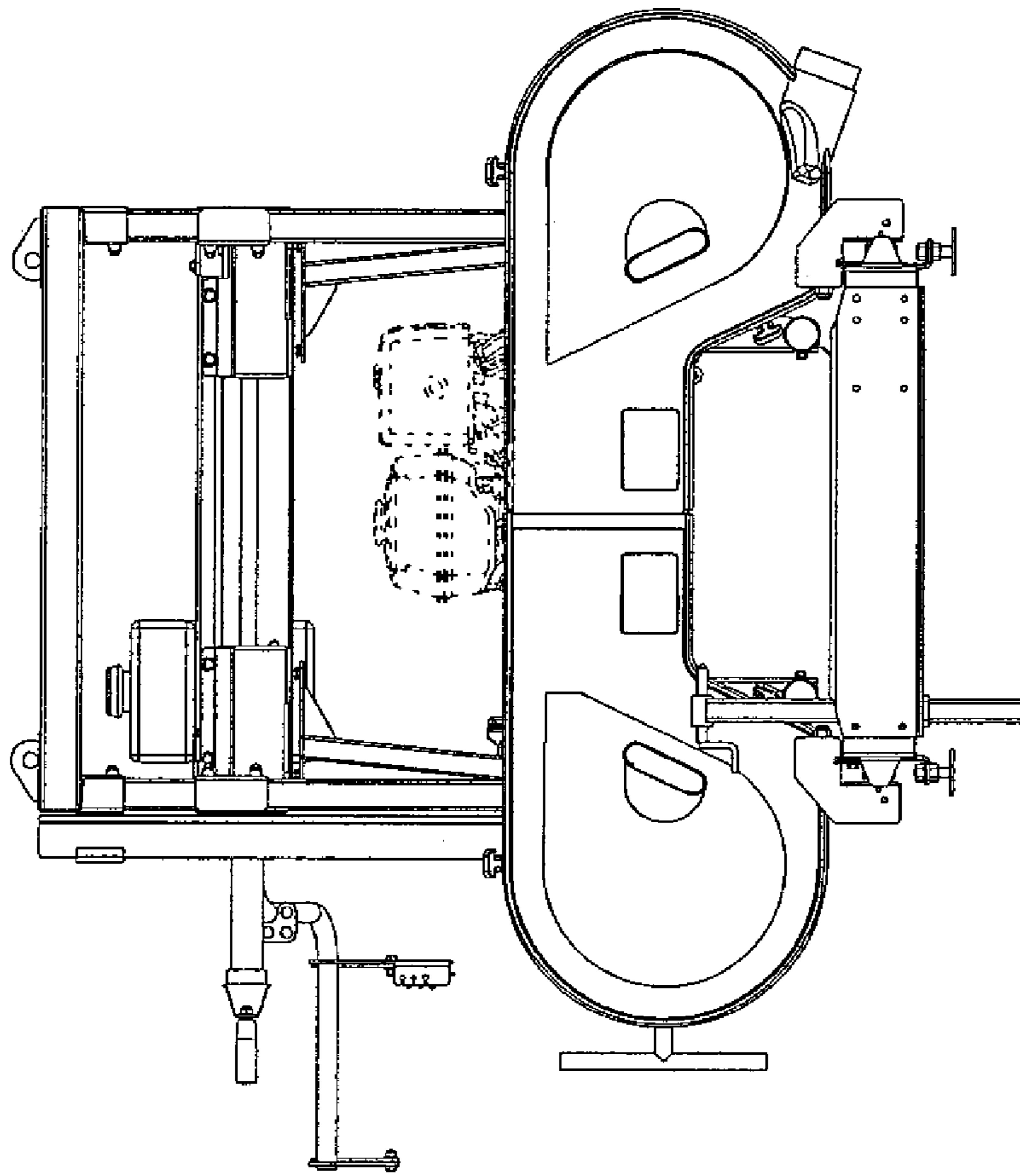


FIG.10