



US00D638038S

(12) **United States Design Patent**  
**Miller**

(10) **Patent No.:** **US D638,038 S**

(45) **Date of Patent:** **\*\* May 17, 2011**

(54) **LIFTING EYE ON A COUPLER**

(75) Inventor: **Gary Miller**, Washington (GB)

(73) Assignee: **Miller International Ltd.**, Gibraltar  
(GB)

(\*\*) Term: **14 Years**

(21) Appl. No.: **29/377,592**

(22) Filed: **Oct. 22, 2010**

(51) **LOC (9) Cl.** ..... **15-03**

(52) **U.S. Cl.** ..... **D15/28**

(58) **Field of Classification Search** ..... D15/10,  
D15/17, 28, 32, 22-25; D8/382; 37/468;  
414/272, 439; 172/443, 248, 272, 439  
See application file for complete search history.

(56) **References Cited**

**U.S. PATENT DOCUMENTS**

3,952,431	A	4/1976	Gledhill et al.	
4,337,614	A	7/1982	Briscoe	
D272,069	S *	1/1984	Larsson	D15/28
D272,070	S *	1/1984	Larsson	D15/28
D272,250	S *	1/1984	Larsson	D15/28
D275,011	S *	8/1984	Larsson	D15/28
4,480,955	A *	11/1984	Andrews et al.	414/723
5,350,022	A *	9/1994	Lauder et al.	172/700
5,456,029	A *	10/1995	Cornelius	37/456
5,549,440	A *	8/1996	Cholakon et al.	414/723
5,630,673	A	5/1997	Krzywanos et al.	
5,692,325	A	12/1997	Kuzutani	
6,042,295	A *	3/2000	Barden	403/158
6,123,501	A *	9/2000	Pisco	414/723
6,158,950	A *	12/2000	Wilt et al.	414/723
D440,983	S *	4/2001	Miller et al.	D15/28
6,254,331	B1 *	7/2001	Pisco et al.	414/723
6,385,872	B1 *	5/2002	Mieger et al.	37/468
D458,942	S *	6/2002	Balemi	D15/28
6,422,805	B1 *	7/2002	Miller	414/723
6,537,006	B1	3/2003	Clark	
6,625,909	B1 *	9/2003	Miller et al.	37/468

6,691,438	B2 *	2/2004	Fatemi	37/468
6,902,346	B2	6/2005	Steig et al.	
6,922,926	B2 *	8/2005	Miller et al.	37/468
6,996,926	B2	2/2006	Fatemi	
D524,826	S	7/2006	Boyapally et al.	
7,234,910	B2	6/2007	Boyapally et al.	
D551,684	S	9/2007	McClallen et al.	

(Continued)

**FOREIGN PATENT DOCUMENTS**

DE 9405014 U1 5/1994

(Continued)

**OTHER PUBLICATIONS**

Drawings. Alert Engineering Limited. (3 pages).

(Continued)

*Primary Examiner* — Mark Goodwin

(74) *Attorney, Agent, or Firm* — Nixon Peabody LLP

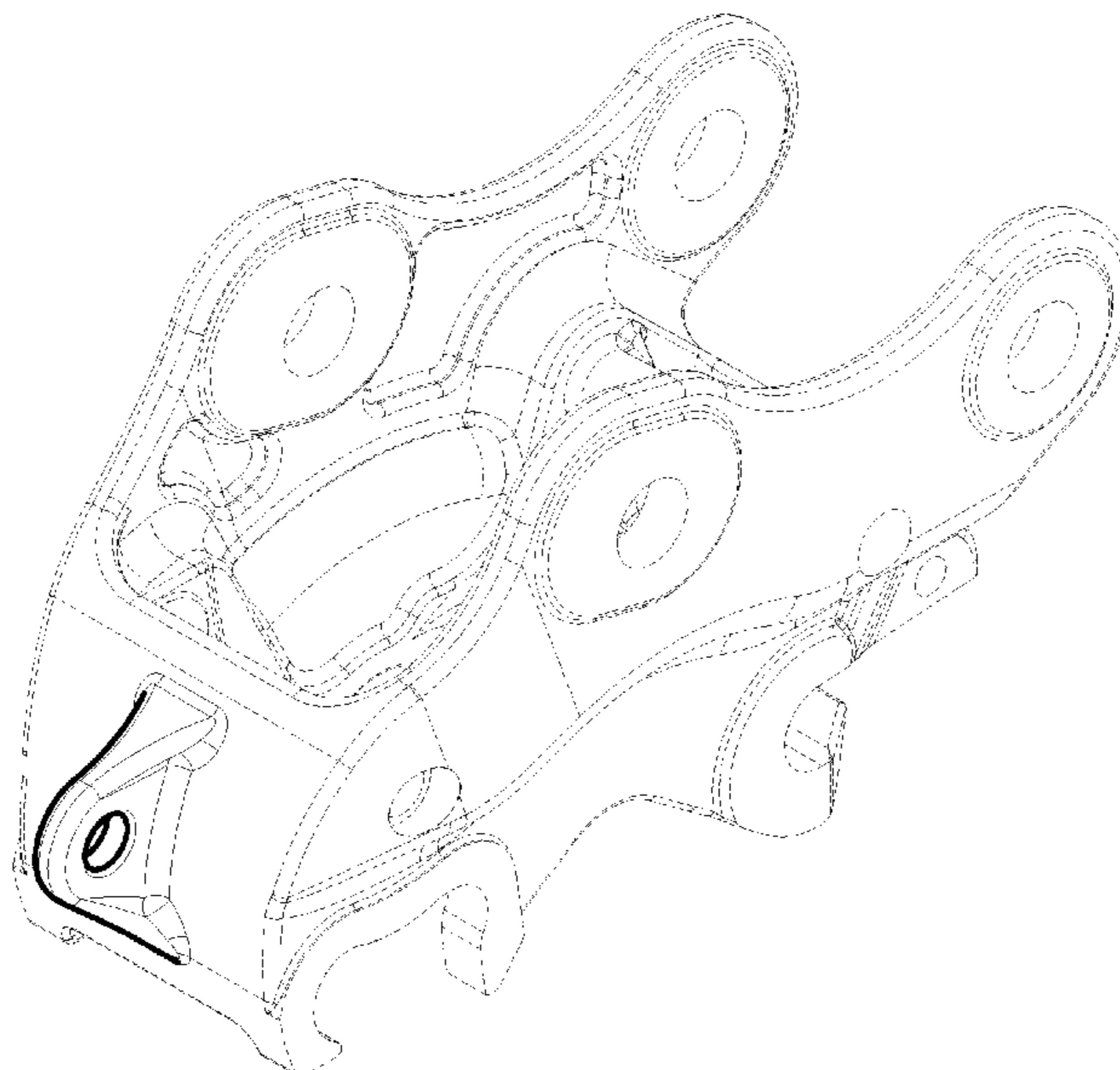
(57) **CLAIM**

I claim the ornamental design for a “lifting eye on a coupler,” as shown and described.

**DESCRIPTION**

FIG. 1 is a top perspective view of a lifting eye on a coupler showing my new design;  
FIG. 2 is a bottom perspective view thereof;  
FIG. 3 is an enlarged view of FIG. 1 thereof;  
FIG. 4 is an enlarged view of FIG. 2 thereof;  
FIG. 5 is an enlarged top plan view thereof;  
FIG. 6 is an enlarged side view thereof, the opposite side being a mirror image thereof; and,  
FIG. 7 is an enlarged bottom plan view thereof.  
The broken lines are only for illustrative purposes to show visible environmental structure and form no part of the claimed invention.

**1 Claim, 4 Drawing Sheets**



U.S. PATENT DOCUMENTS

7,306,395 B2 12/2007 Fatemi  
 D565,062 S \* 3/2008 Miller et al. .... D15/28  
 D574,225 S \* 8/2008 Scheib ..... D8/382  
 D593,848 S \* 6/2009 Balemi et al. .... D8/382  
 D593,849 S \* 6/2009 Balemi et al. .... D8/382  
 D599,198 S \* 9/2009 Balemi et al. .... D8/382  
 D620,502 S \* 7/2010 Ballinger et al. .... D15/28  
 2003/0154636 A1 \* 8/2003 Miller et al. .... 37/468  
 2004/0244575 A1 12/2004 Fatemi et al.  
 2005/0169703 A1 8/2005 Fatemi  
 2007/0020079 A1 1/2007 Boyapally et al.  
 2007/0157492 A1 \* 7/2007 Miller et al. .... 37/468  
 2008/0083144 A1 \* 4/2008 Sederberg et al. .... 37/468  
 2008/0092414 A1 \* 4/2008 Moser et al. .... 37/468  
 2008/0170933 A1 \* 7/2008 Nishioka et al. .... 414/723  
 2008/0175657 A1 7/2008 Fatemi  
 2009/0007465 A1 1/2009 Robl et al.  
 2010/0031539 A1 \* 2/2010 Daraie et al. .... 37/468  
 2010/0107456 A1 \* 5/2010 Miller et al. .... 37/468  
 2010/0172732 A1 \* 7/2010 Daraie et al. .... 414/723  
 2010/0192425 A1 \* 8/2010 Miller et al. .... 37/468  
 2010/0232920 A1 \* 9/2010 Calvert et al. .... 414/723  
 2010/0254755 A1 10/2010 Luyendijk et al.  
 2010/0275474 A1 \* 11/2010 Scheib et al. .... 37/468

FOREIGN PATENT DOCUMENTS

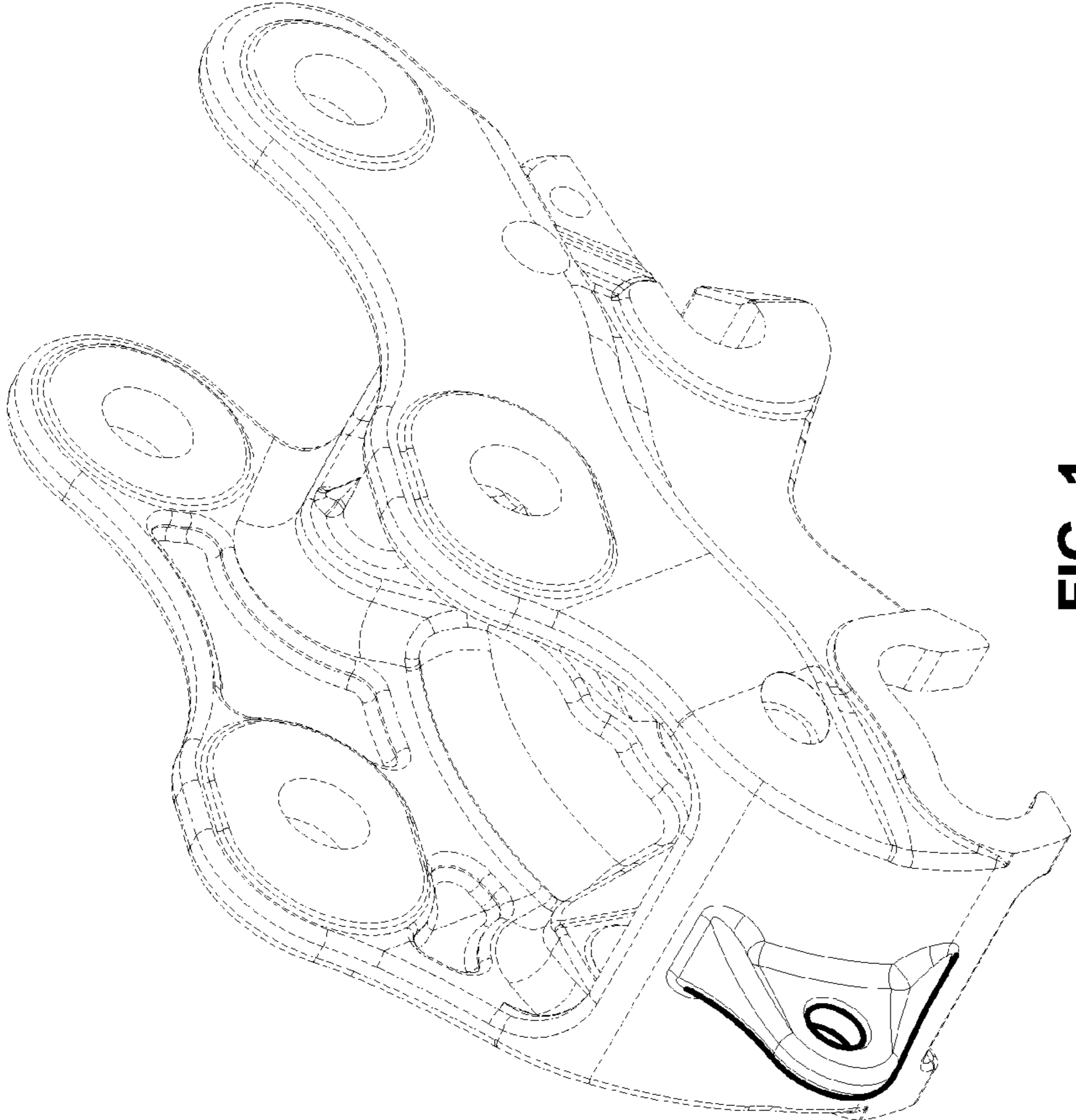
EP 0184282 A1 6/1986  
 EP 0306340 A1 3/1989  
 EP 0405813 A2 1/1991  
 EP 0769590 A2 4/1997  
 EP 1318242 A2 6/2003  
 EP 1473467 A1 11/2004

EP 1637659 A2 3/2006  
 EP 1318242 B1 10/2006  
 EP 1676006 B1 8/2007  
 EP 2119834 A2 11/2009  
 EP 2161378 A1 3/2010  
 FR 2914932 A1 10/2008  
 GB 2177674 A 1/1987  
 GB 2330570 A 4/1999  
 GB 2332417 A 6/1999  
 GB 2332417 B 5/2001  
 GB 2372979 A 9/2002  
 GB 2372979 B 3/2003  
 GB 2424637 A 10/2006  
 GB 2447809 A 9/2008  
 GB 2446485 B 1/2009  
 GB 2447809 B 2/2009  
 GB 2463158 A 3/2010  
 WO 2004016863 A1 2/2004  
 WO 2005026454 A1 3/2005  
 WO 2008031590 A2 3/2008  
 WO 2008031590 A3 7/2008  
 WO 2008138932 A2 11/2008  
 WO 2009009000 A2 1/2009

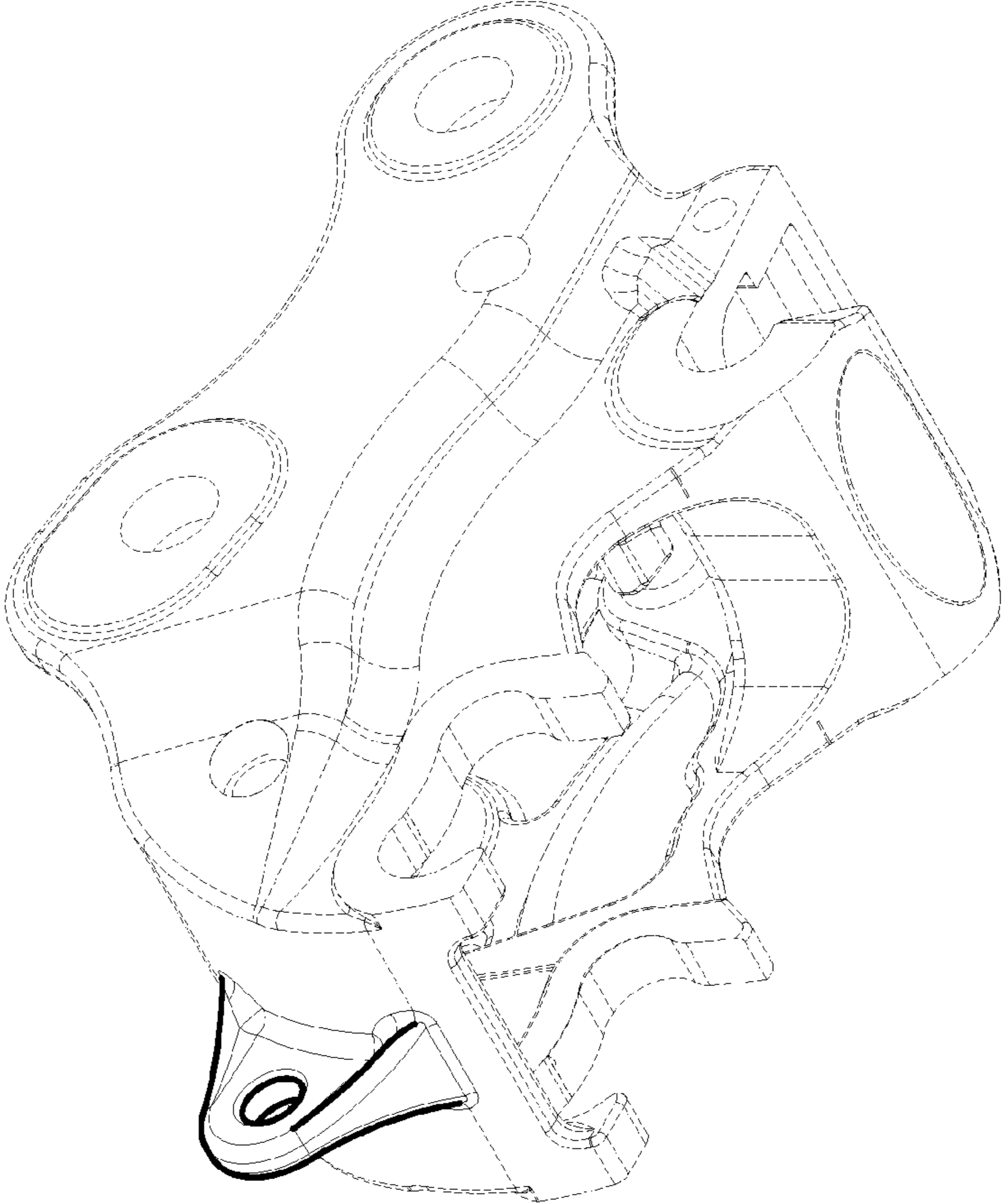
OTHER PUBLICATIONS

British Patent Application No. 0618034.3 filed Sep. 13, 2006. Hill Engineering Limited (34 pages).  
 British Patent Application No. 0620139.6 filed Oct. 11, 2006. Hill Engineering Limited (22 pages).  
 British Patent Application No. 0702372.4 filed Feb. 17, 2007. Hill Engineering Limited (34 pages).

\* cited by examiner

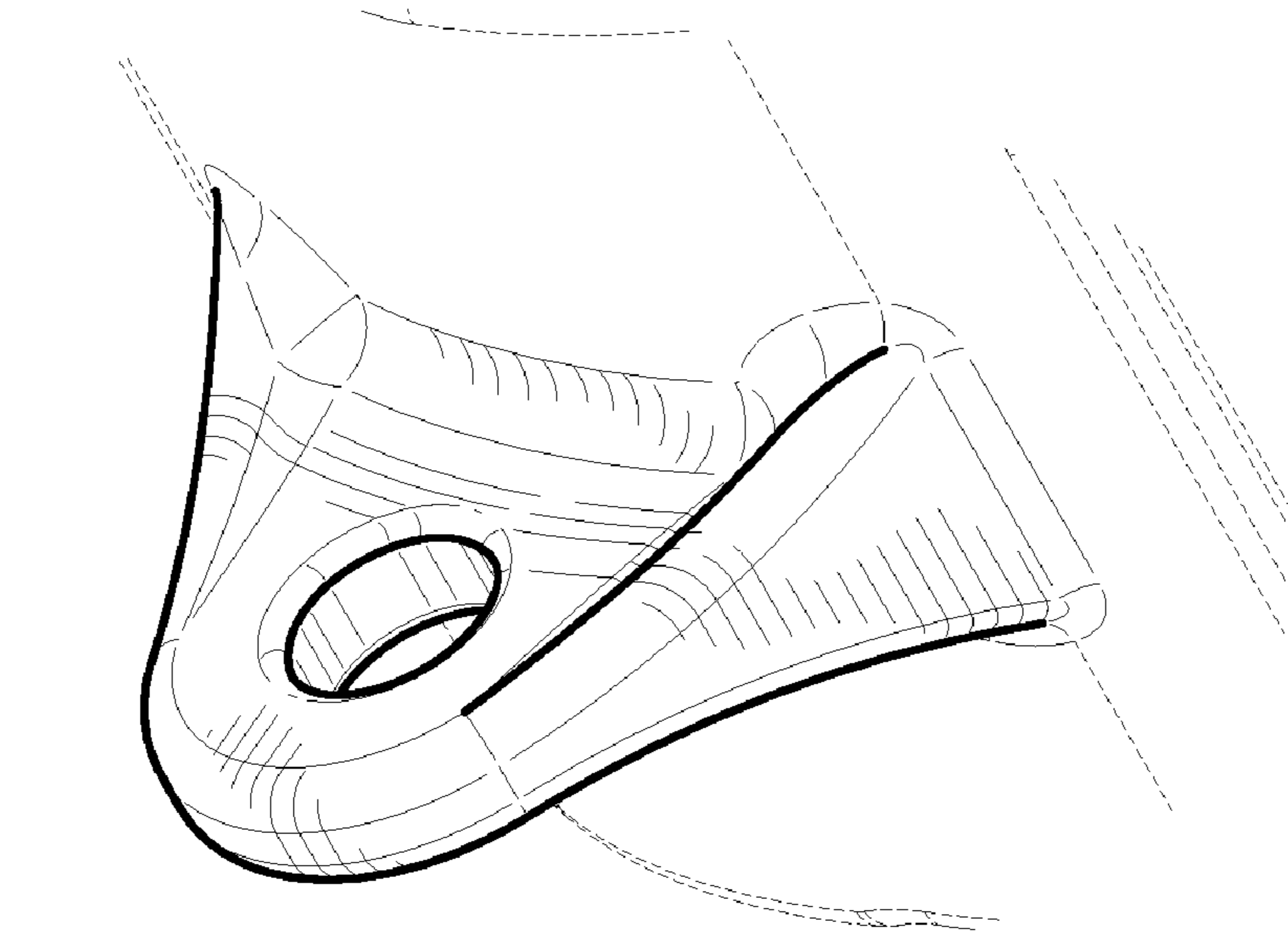


**FIG. 1**

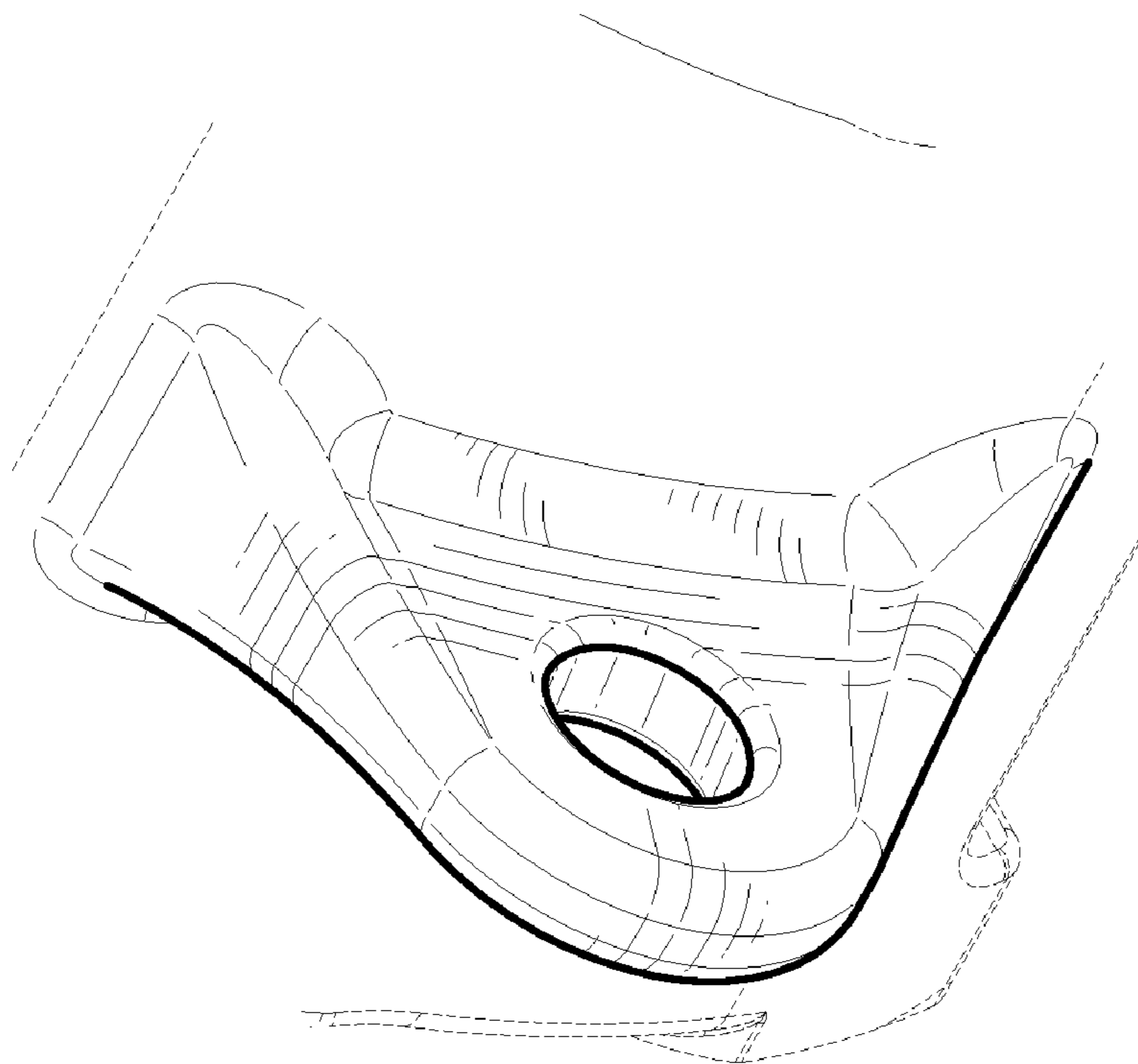


**FIG. 2**





**FIG. 4**



**FIG. 3**

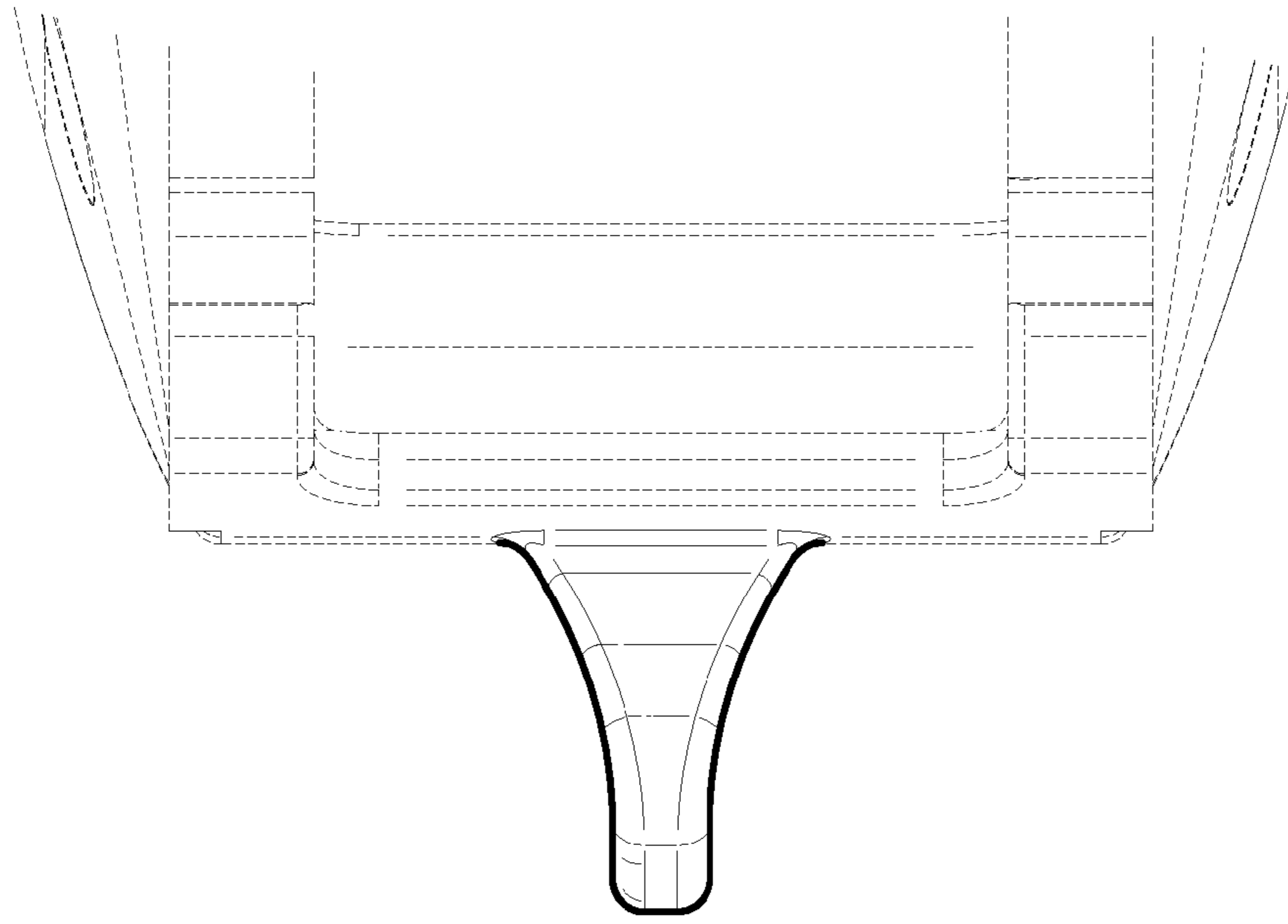


FIG. 6

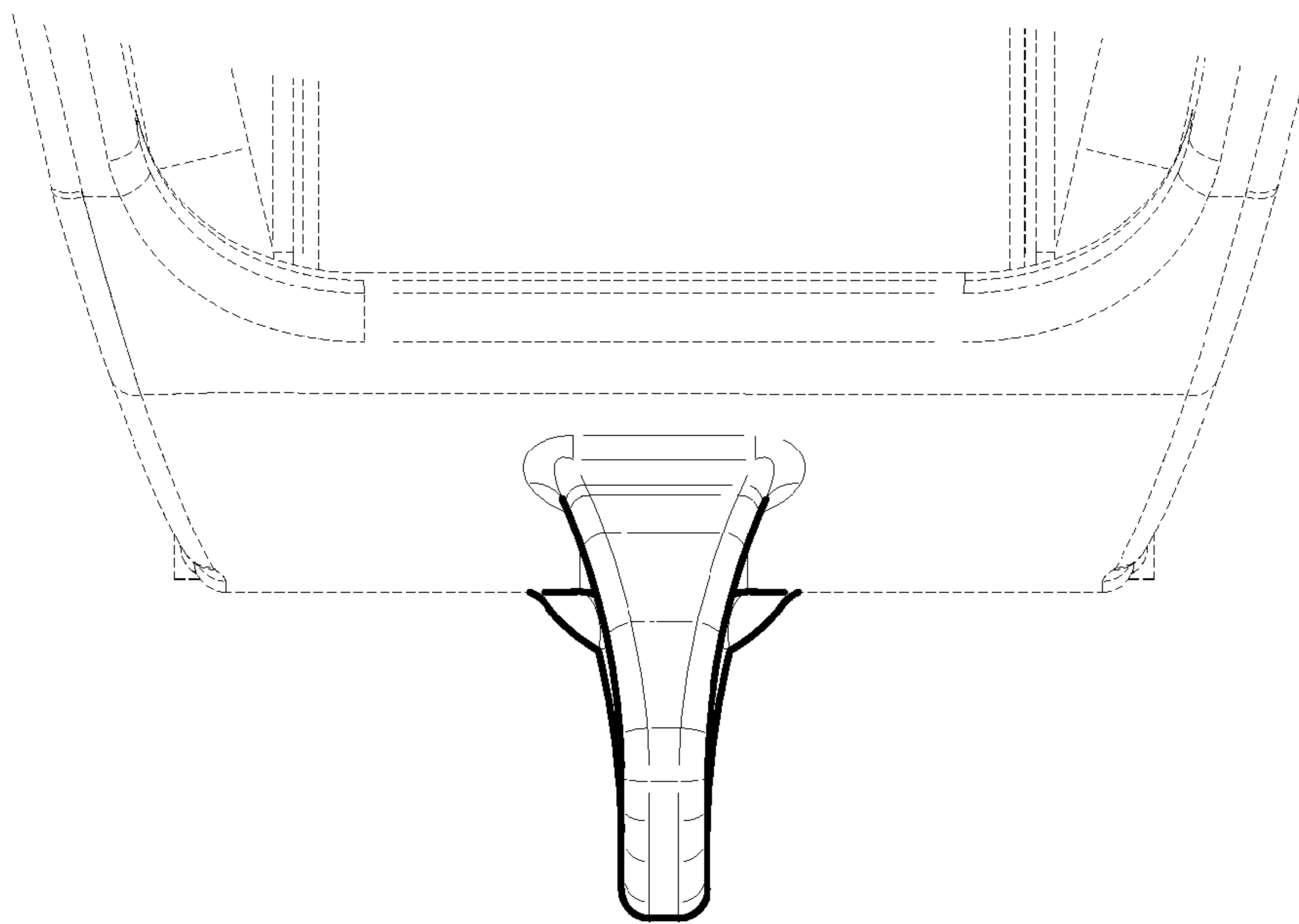


FIG. 5

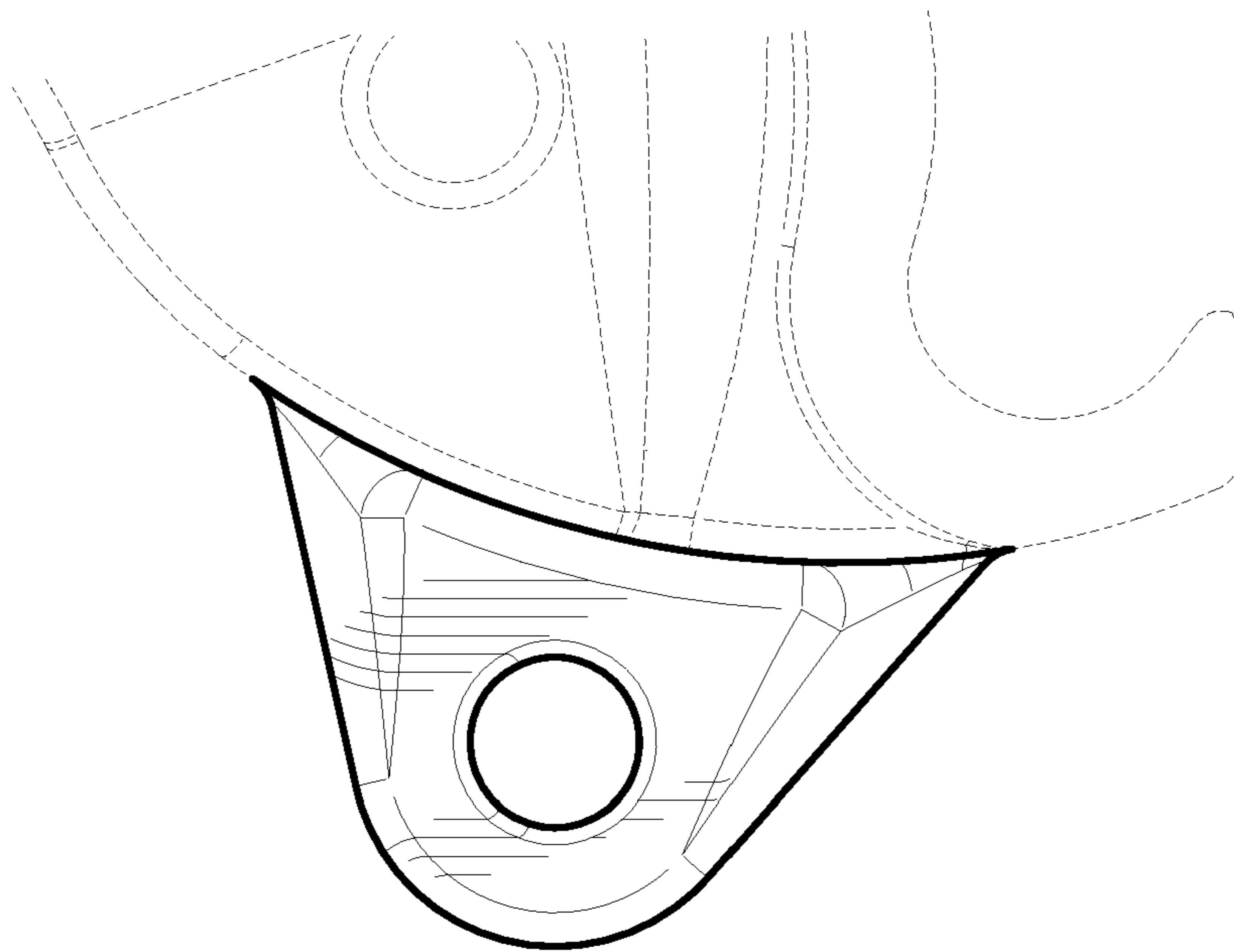


FIG. 7