



US00D638036S

(12) **United States Design Patent**  
**Hamada et al.**

(10) **Patent No.:** **US D638,036 S**

(45) **Date of Patent:** **\*\* May 17, 2011**

(54) **PISTON FOR COMPRESSOR**

(75) Inventors: **Naohiro Hamada**, Kyoto (JP); **Makoto Katayama**, Shiga (JP)

(73) Assignee: **Panasonic Corporation**, Osaka (JP)

(\*\*) Term: **14 Years**

(21) Appl. No.: **29/383,193**

(22) Filed: **Jan. 13, 2011**

**Related U.S. Application Data**

(62) Division of application No. 29/364,946, filed on Jun. 30, 2010, now Pat. No. Des. 633,529.

(30) **Foreign Application Priority Data**

Mar. 15, 2010	(JP)	.....	2010-6222
Mar. 15, 2010	(JP)	.....	2010-6223
Mar. 15, 2010	(JP)	.....	2010-6224
Mar. 15, 2010	(JP)	.....	2010-6225

(51) **LOC (9) Cl.** ..... **15-02**

(52) **U.S. Cl.** ..... **D15/7**

(58) **Field of Classification Search** ..... D15/7-9;  
D23/231, 232, 225; 417/410.1, 359, 415-416,  
417/234, 321, 265, 405

See application file for complete search history.

(56) **References Cited**

**U.S. PATENT DOCUMENTS**

D399,212	S	*	10/1998	Roderweiss et al.	.....	D15/5
D515,590	S	*	2/2006	Freitas	.....	D15/7
D556,783	S	*	12/2007	Chu	.....	D15/9
D576,179	S	*	9/2008	Kondo et al.	.....	D15/9
D609,247	S	*	2/2010	Naegele et al.	.....	D15/5

**FOREIGN PATENT DOCUMENTS**

CN 3634460D 4/2007

\* cited by examiner

*Primary Examiner* — Ralf Seifert

(74) *Attorney, Agent, or Firm* — Brinks Hofer Gilson & Lione

(57) **CLAIM**

We claim the ornamental design for a piston for compressor, as shown and described.

**DESCRIPTION**

FIG. 1 is a top perspective view of a first embodiment of a piston for compressor of the present invention; FIG. 2 is a bottom perspective view thereof; FIG. 3 is a front view thereof; FIG. 4 is a first side view thereof; FIG. 5 is a second side view thereof; FIG. 6 is a rear view thereof; FIG. 7 is a top view thereof; FIG. 8 is a bottom view thereof; FIG. 9 is a top perspective view of a second embodiment of a piston for compressor of the present invention; FIG. 10 is a bottom perspective view of FIG. 9; FIG. 11 is a front view of FIG. 9; FIG. 12 is a first side view of FIG. 9; FIG. 13 is a second side view of FIG. 9; FIG. 14 is a rear view of FIG. 9; FIG. 15 is a top view of FIG. 9; FIG. 16 is a bottom view of FIG. 9; FIG. 17 is a top perspective view of a third embodiment of a piston for compressor of the present invention; FIG. 18 is a bottom perspective view of FIG. 17; FIG. 19 is a front view of FIG. 17; FIG. 20 is a first side view of FIG. 17; FIG. 21 is a second side view of FIG. 17; FIG. 22 is a rear view of FIG. 17; FIG. 23 is a top view of FIG. 17; and, FIG. 24 is a bottom view of FIG. 17.

The broken lines in the drawings define the limits of the claimed design.

**1 Claim, 6 Drawing Sheets**

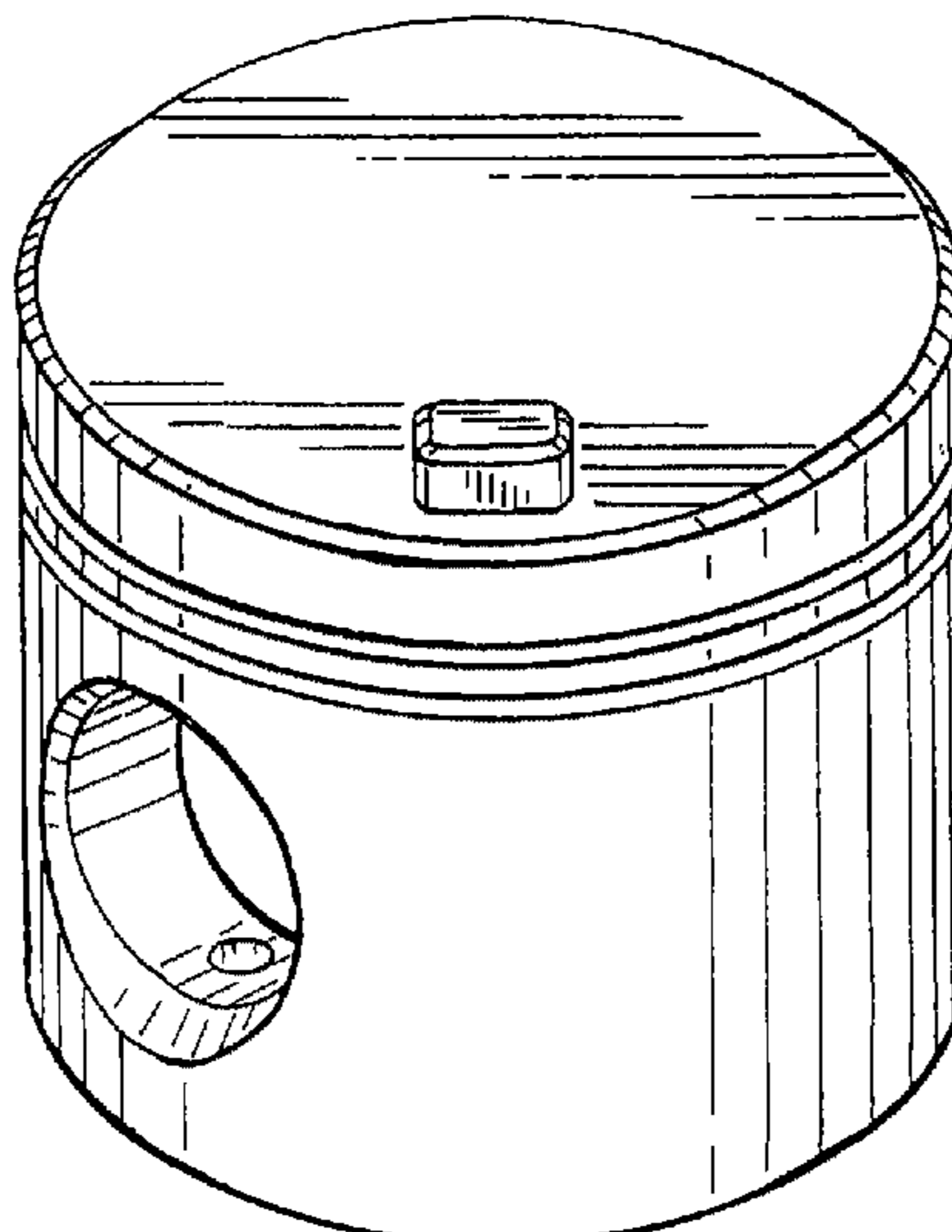


FIG. 1

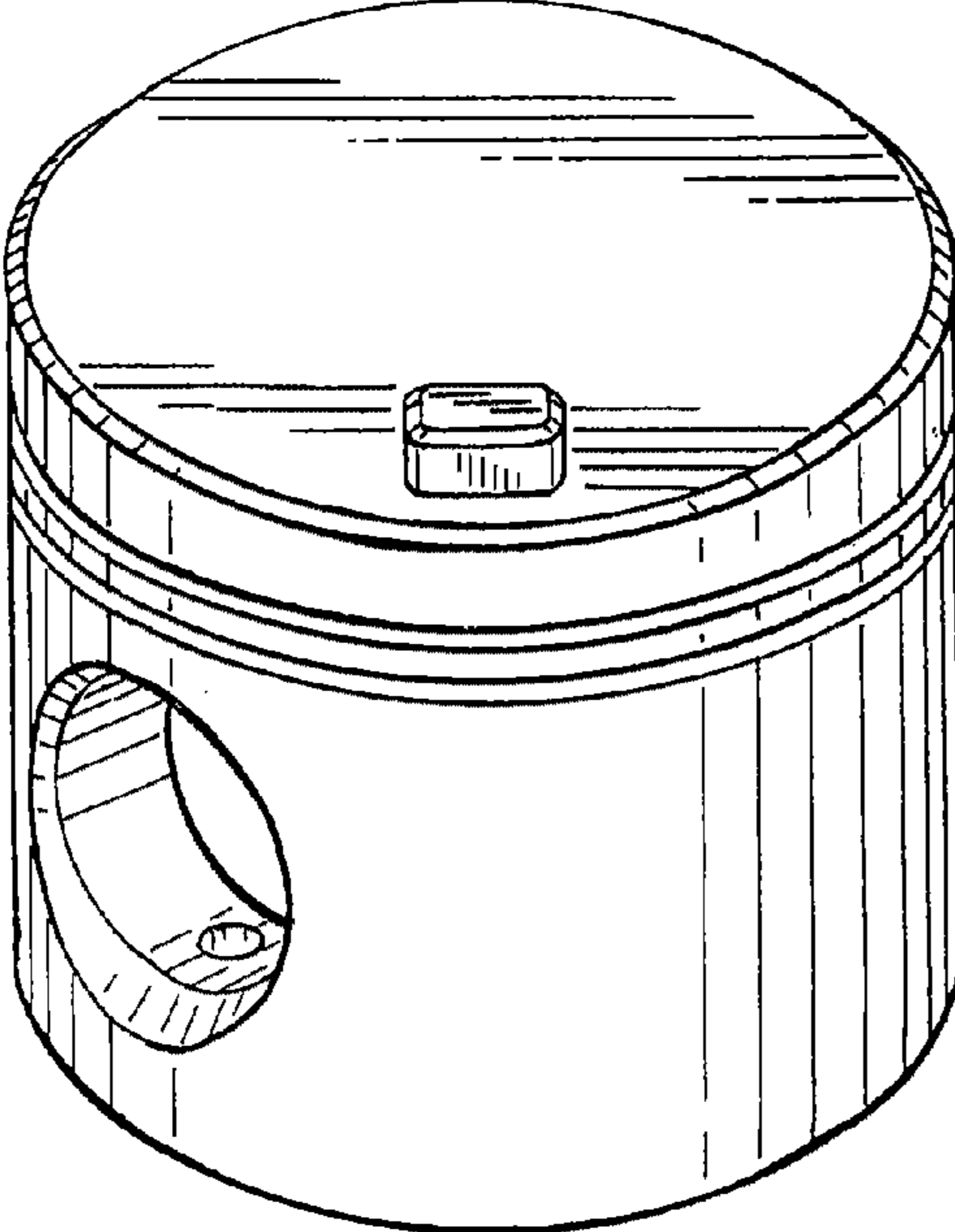


FIG. 2

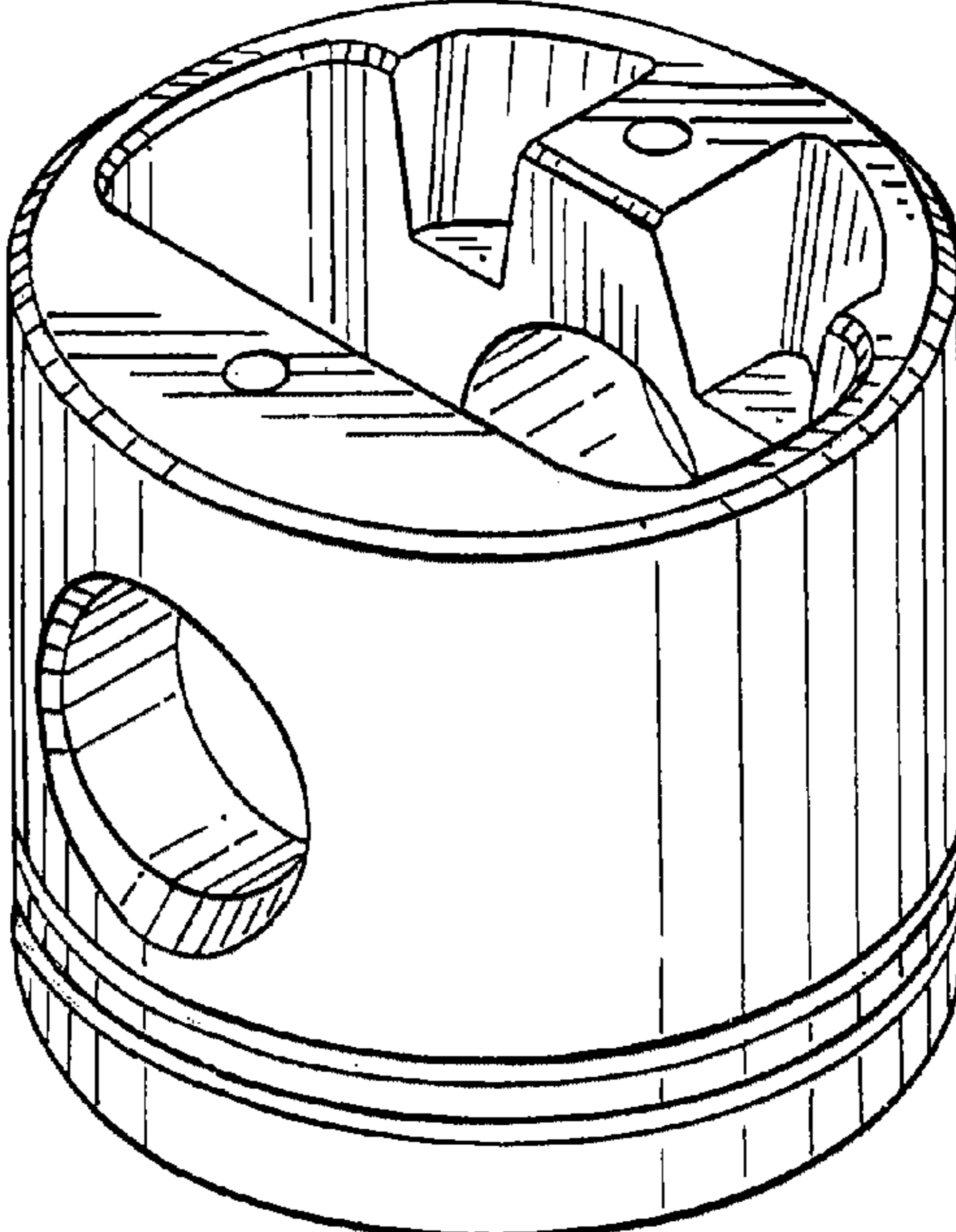


FIG. 3

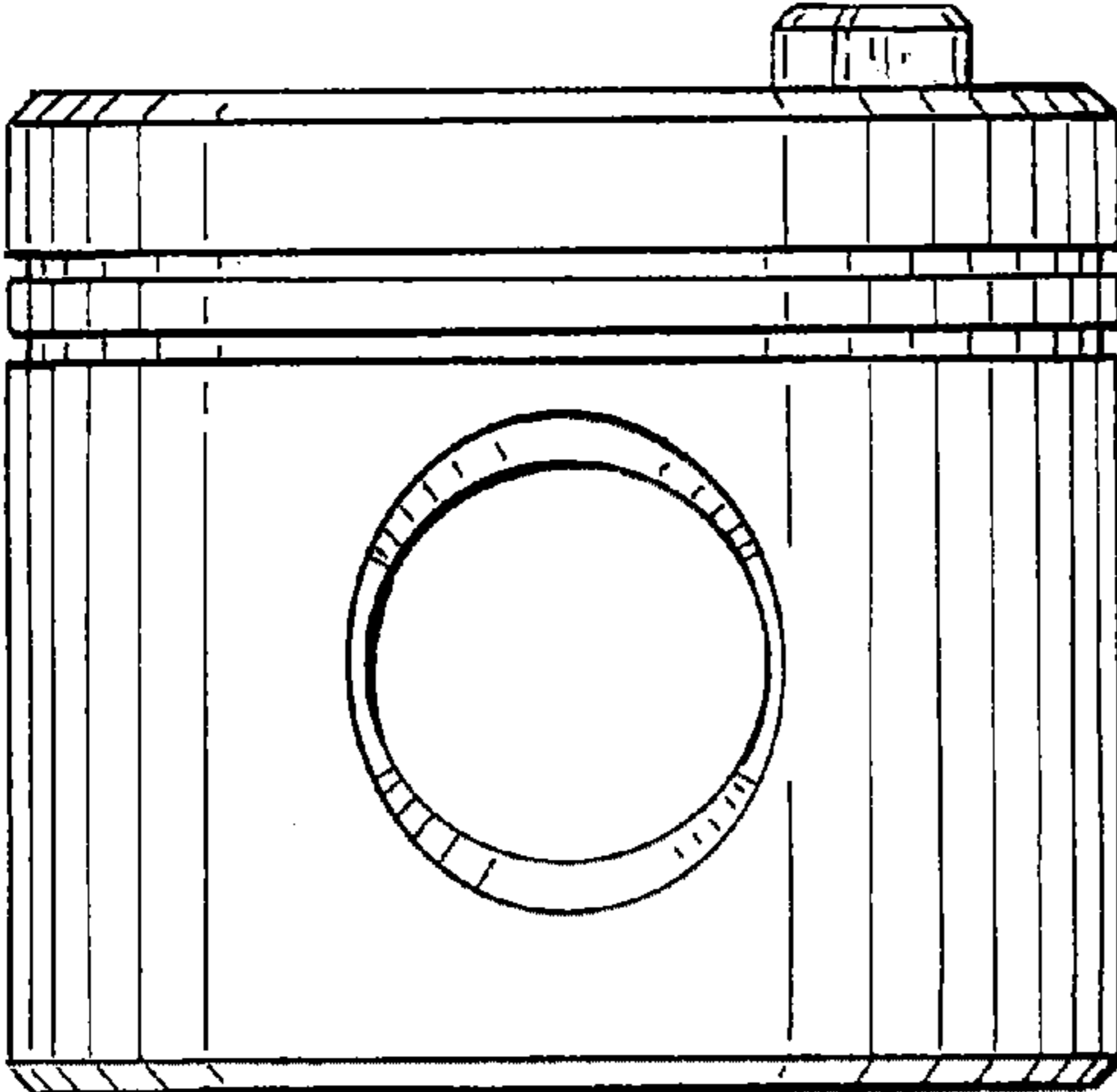


FIG. 4

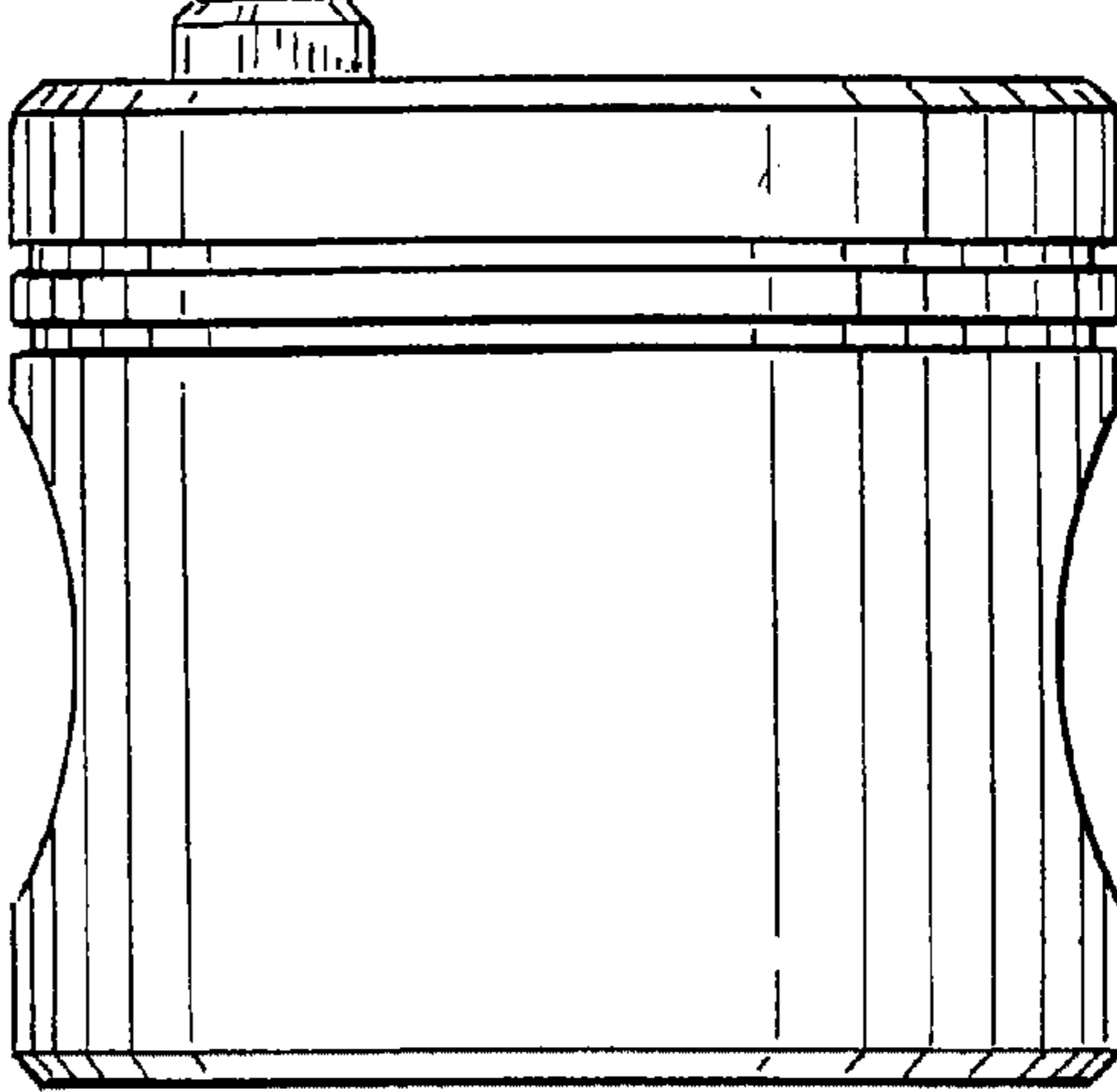


FIG. 5

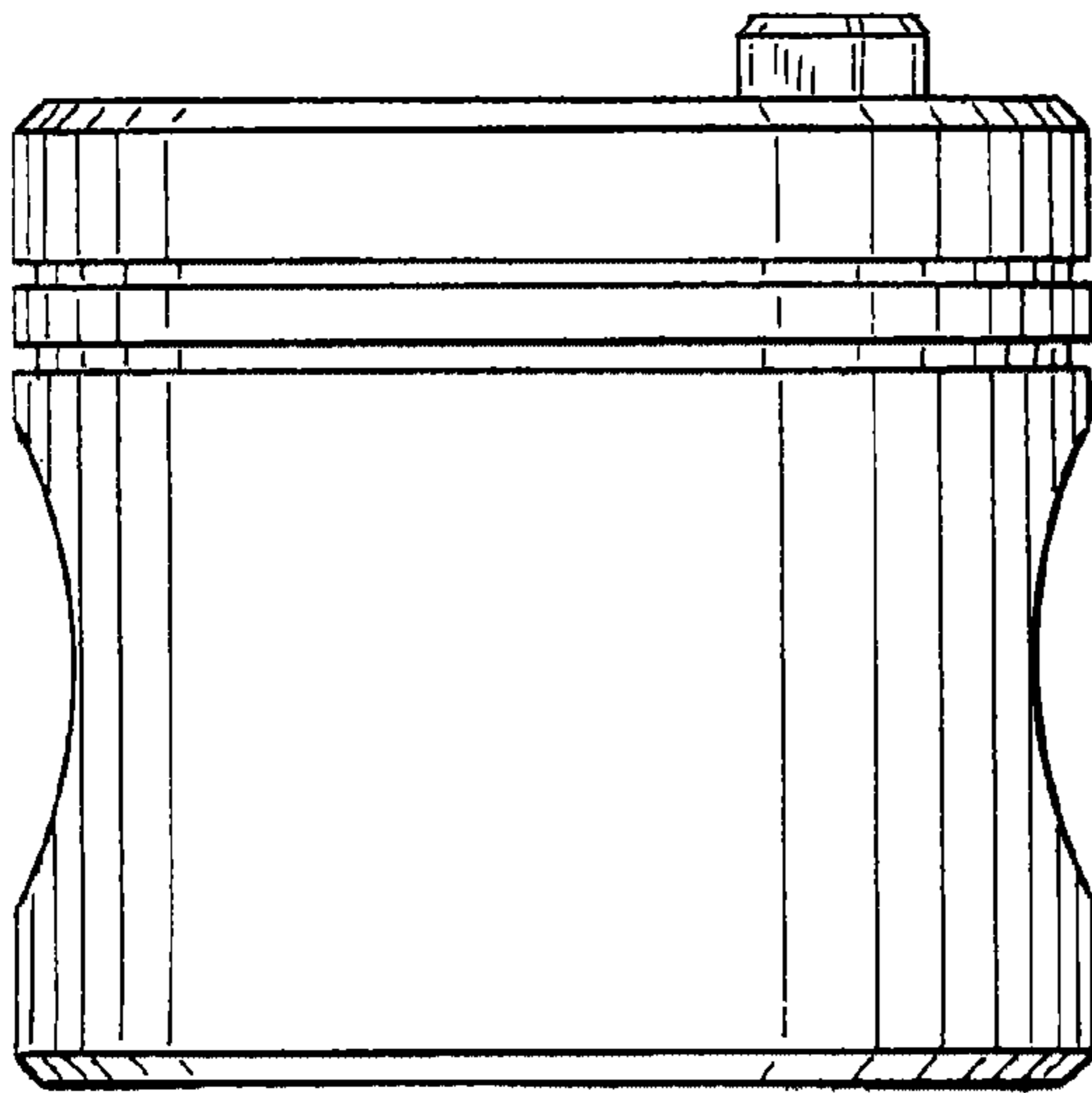


FIG. 6

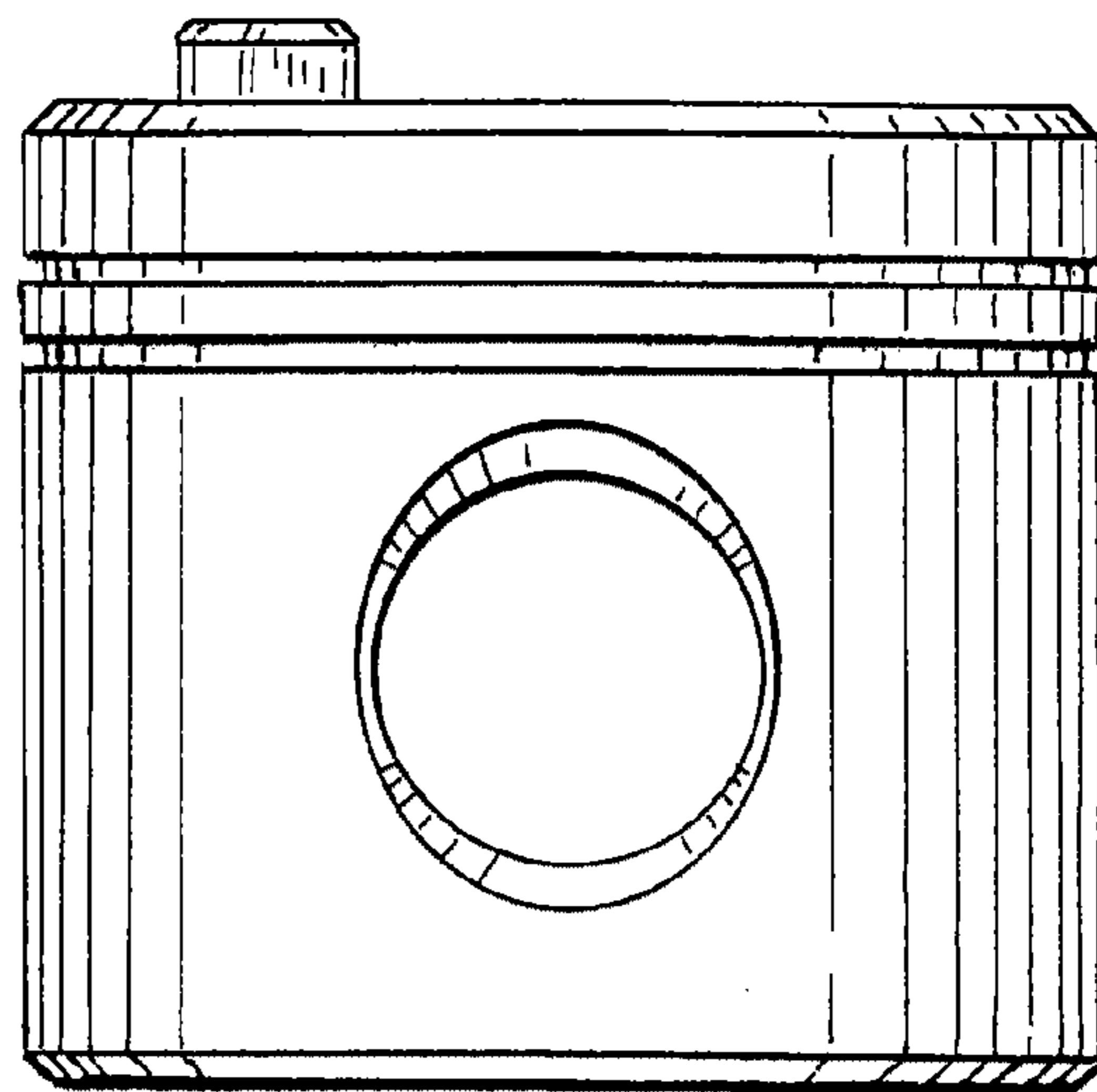


FIG. 7

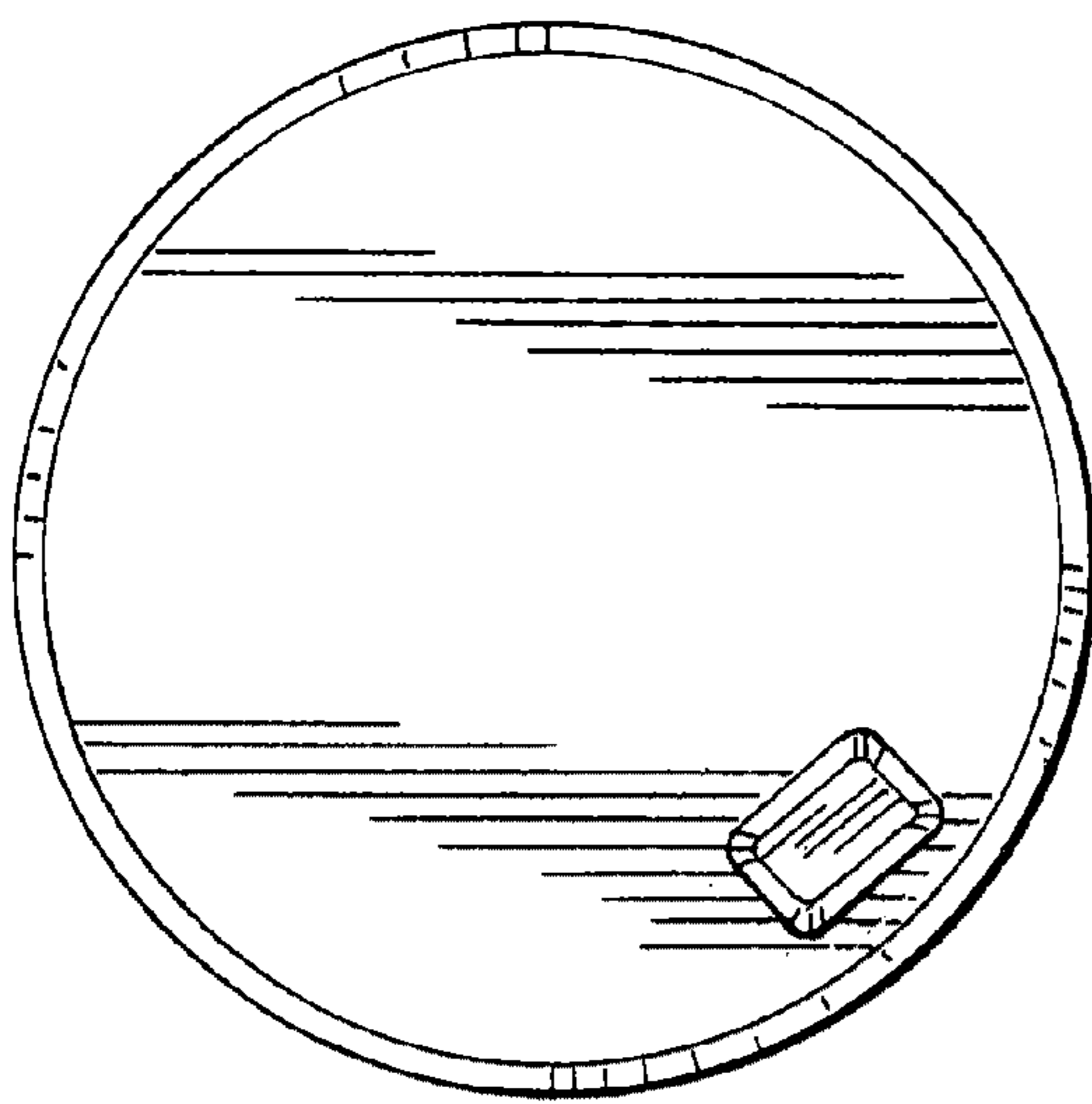


FIG. 8

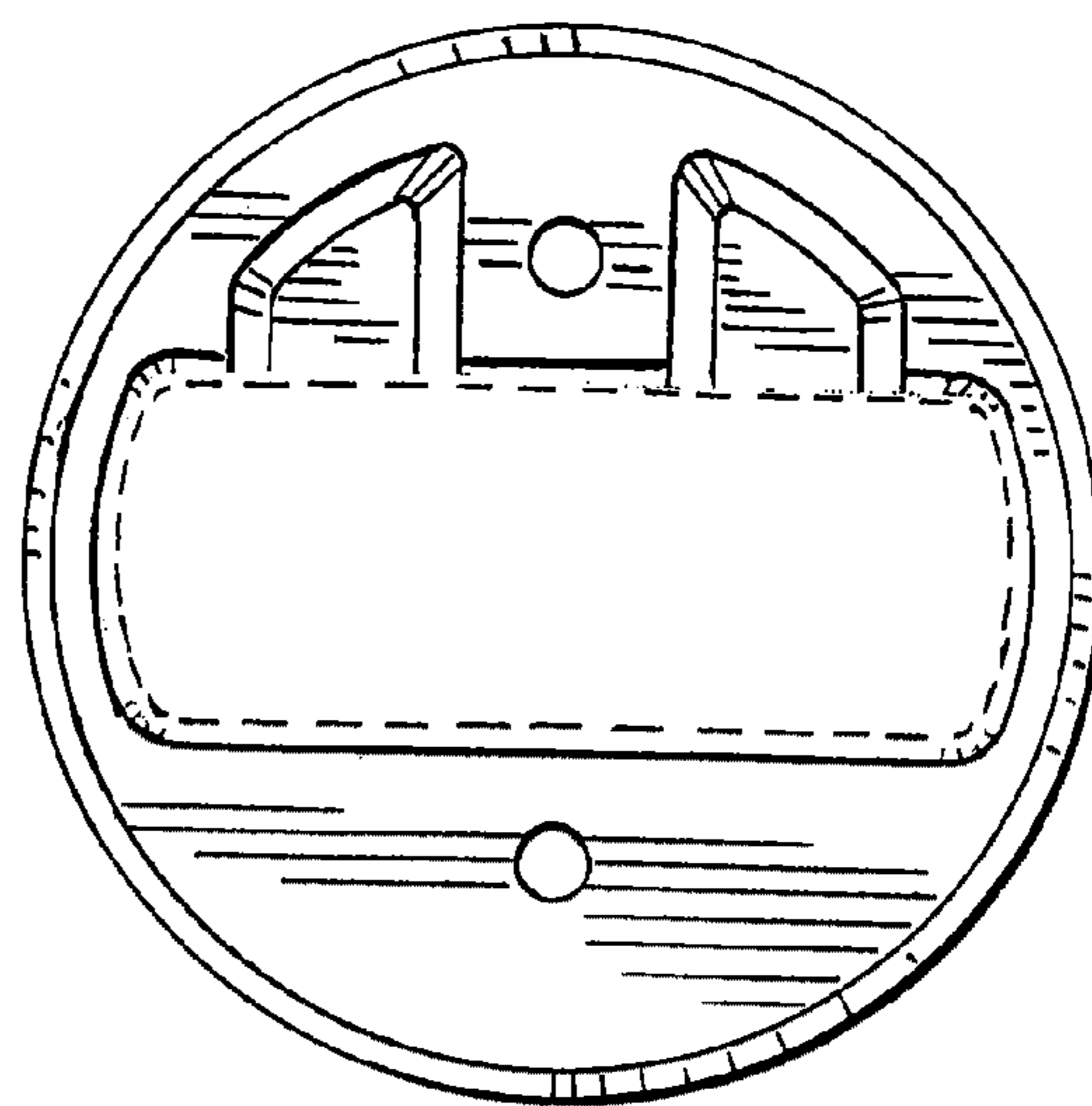




FIG. 9

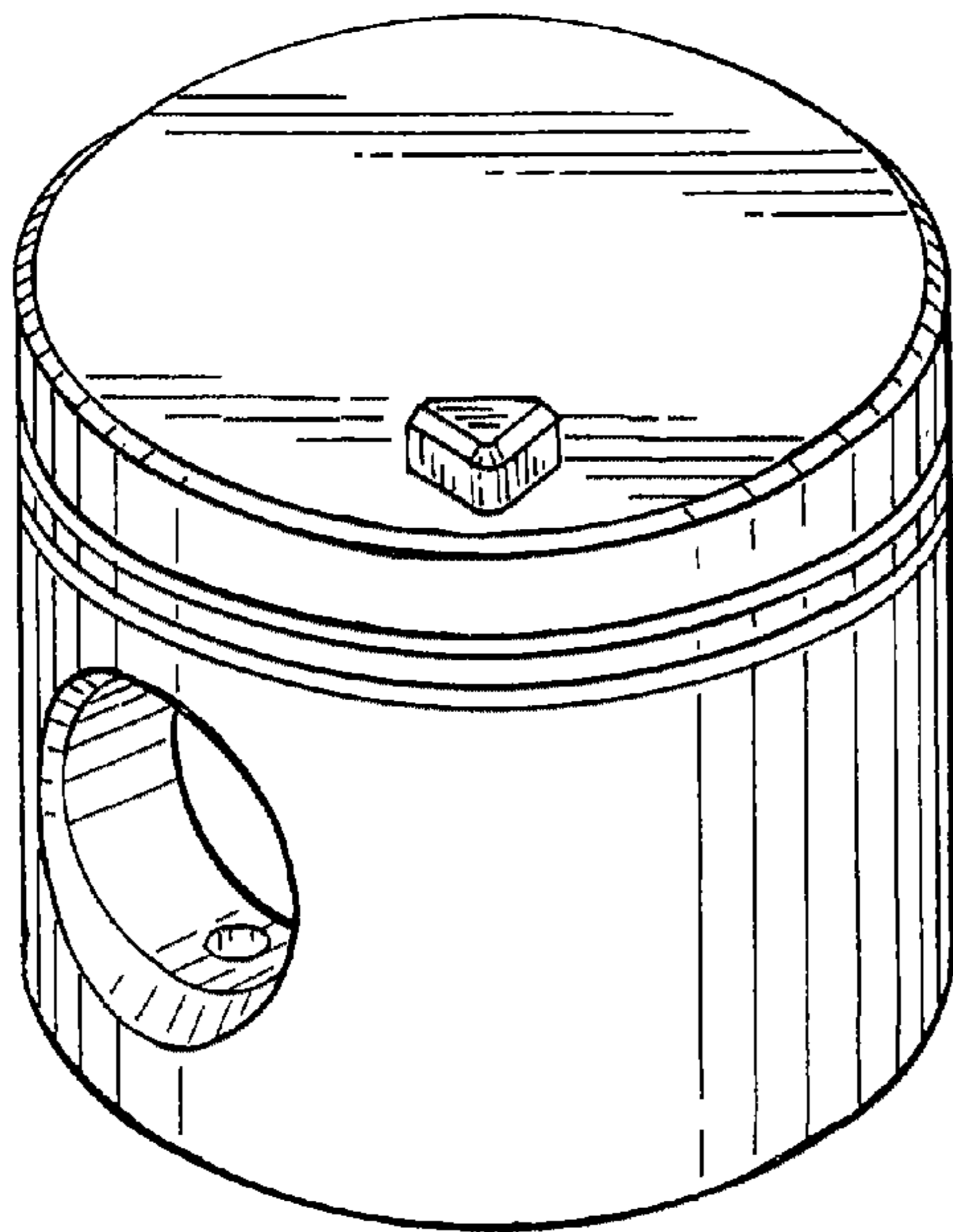


FIG. 10

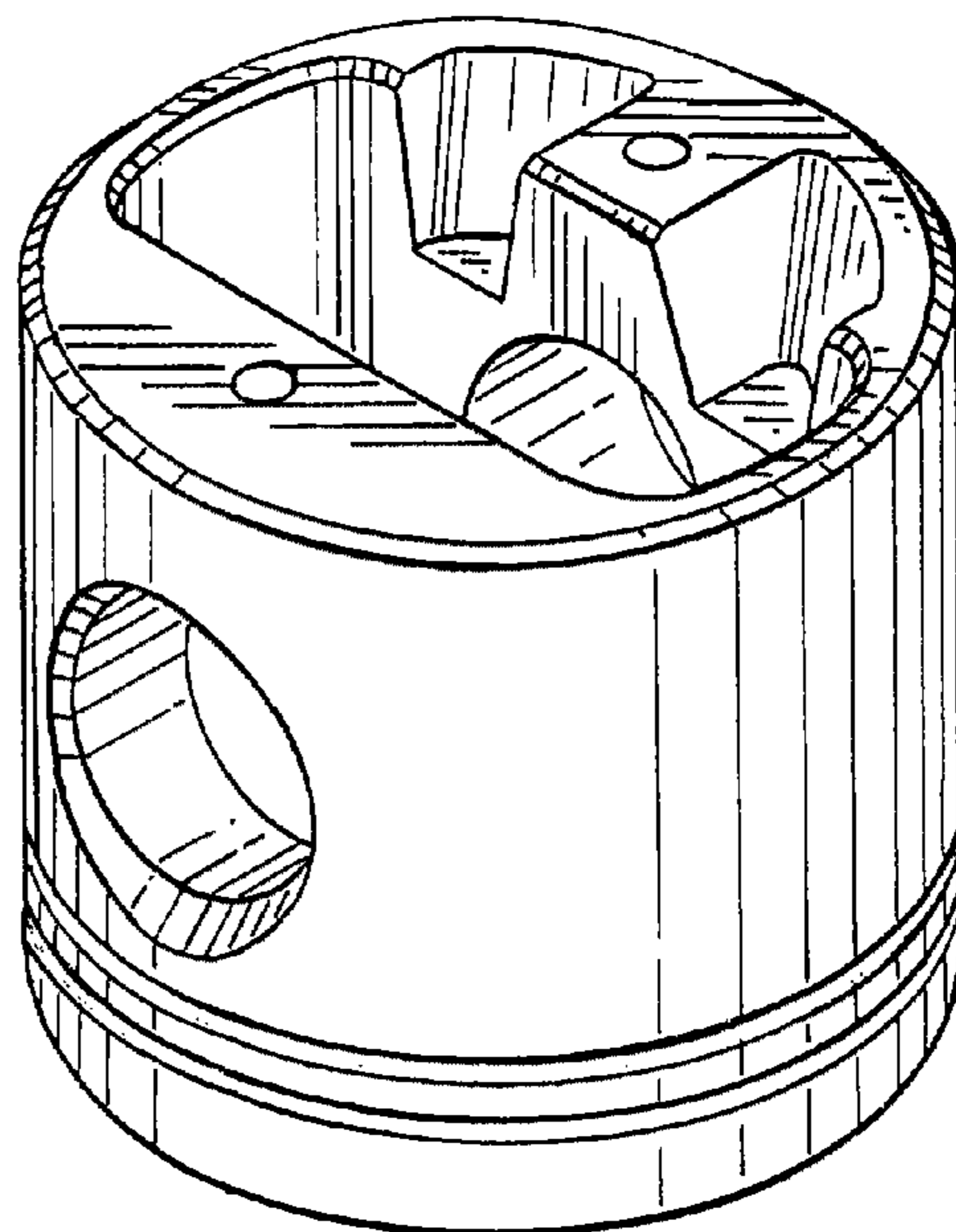


FIG. 11

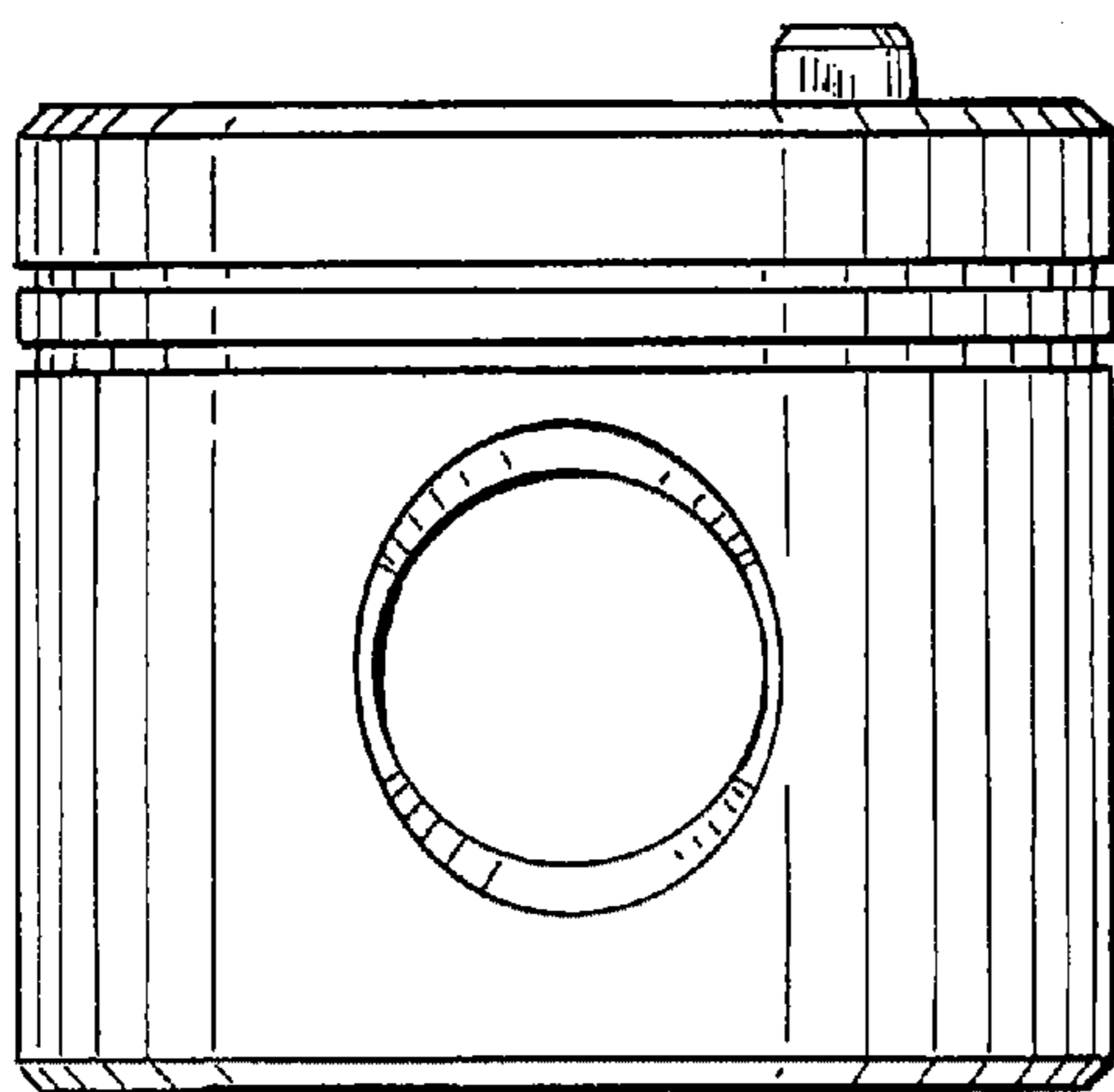


FIG. 12

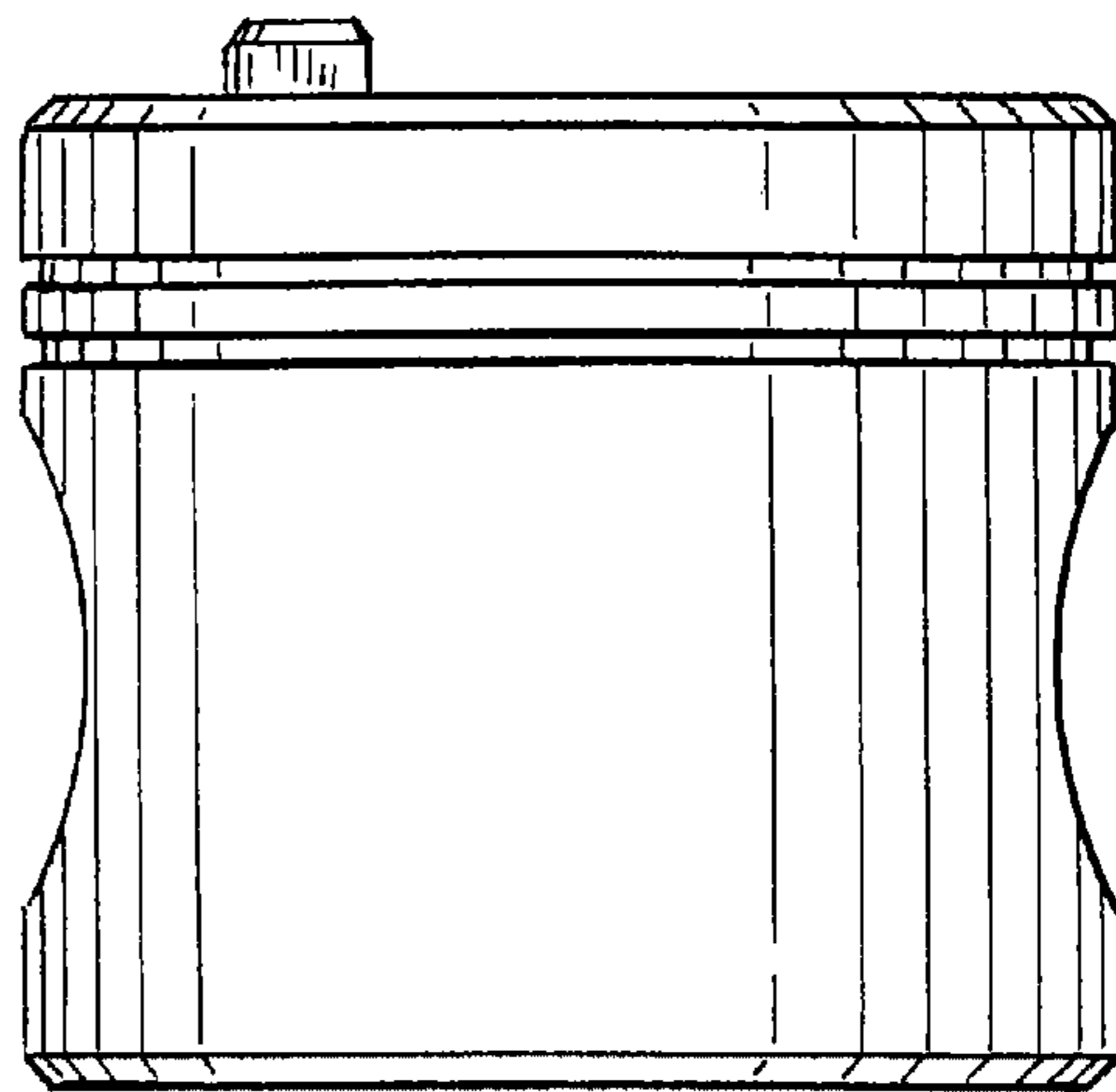


FIG. 13

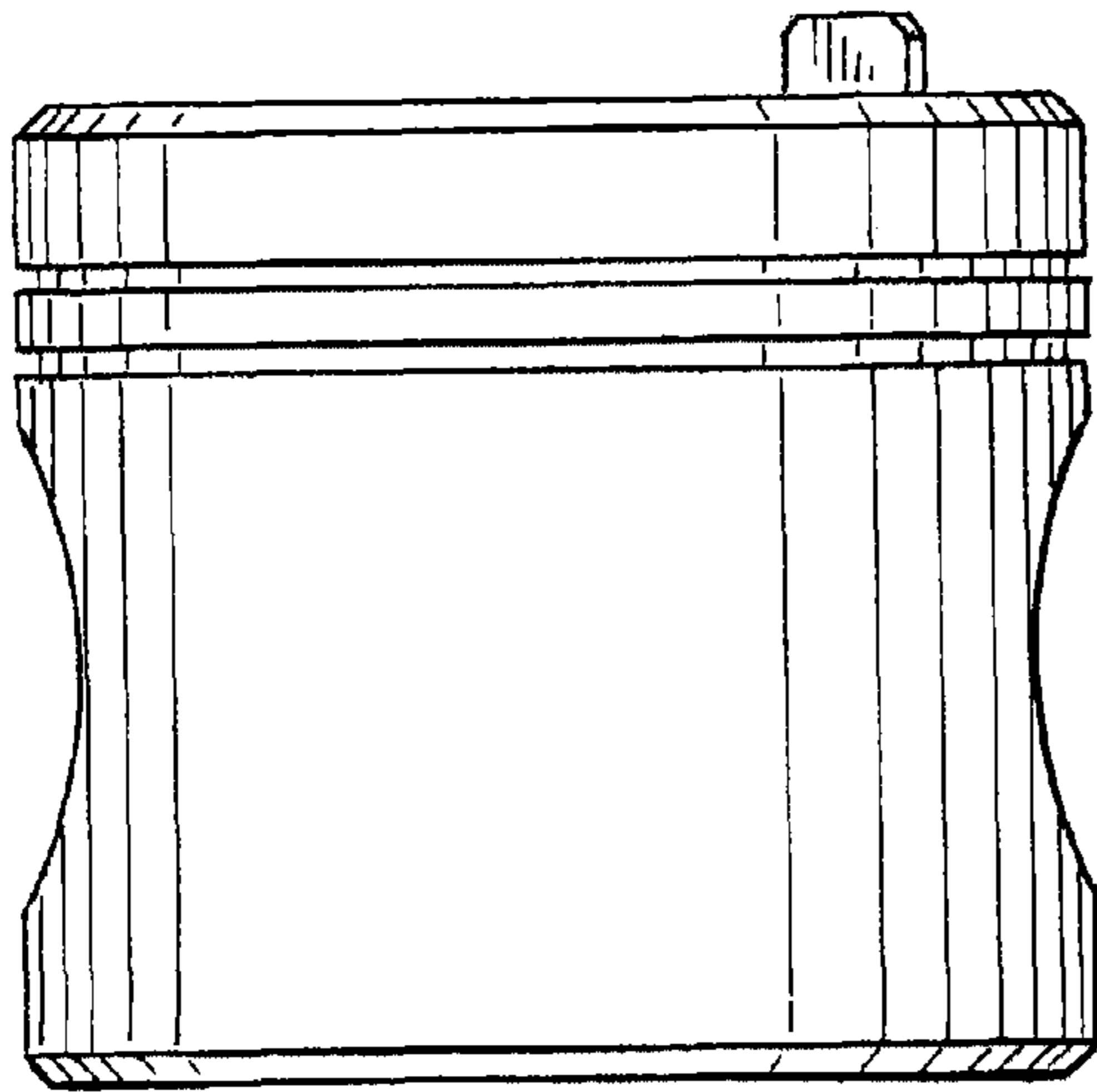


FIG. 14

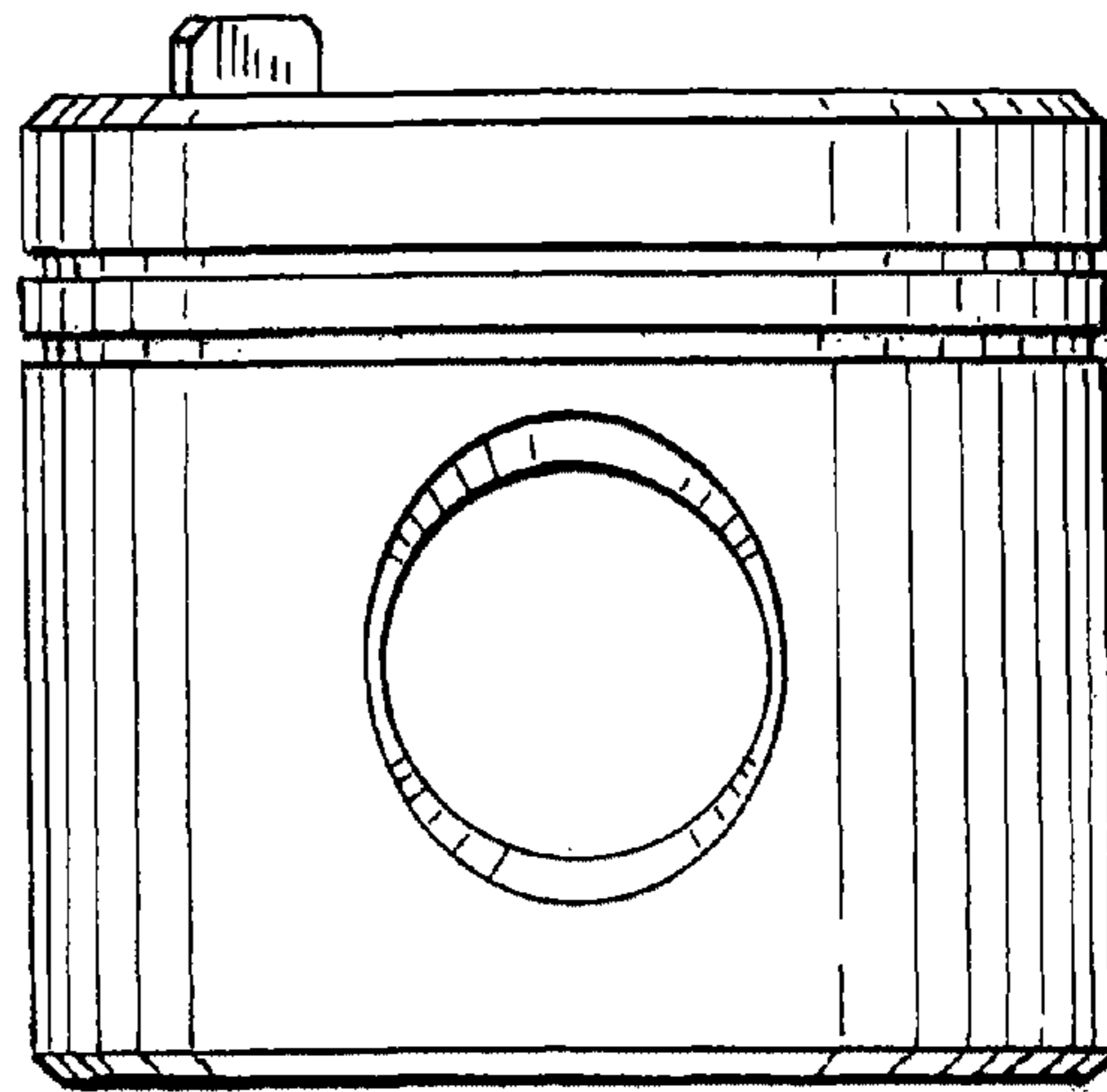


FIG. 15

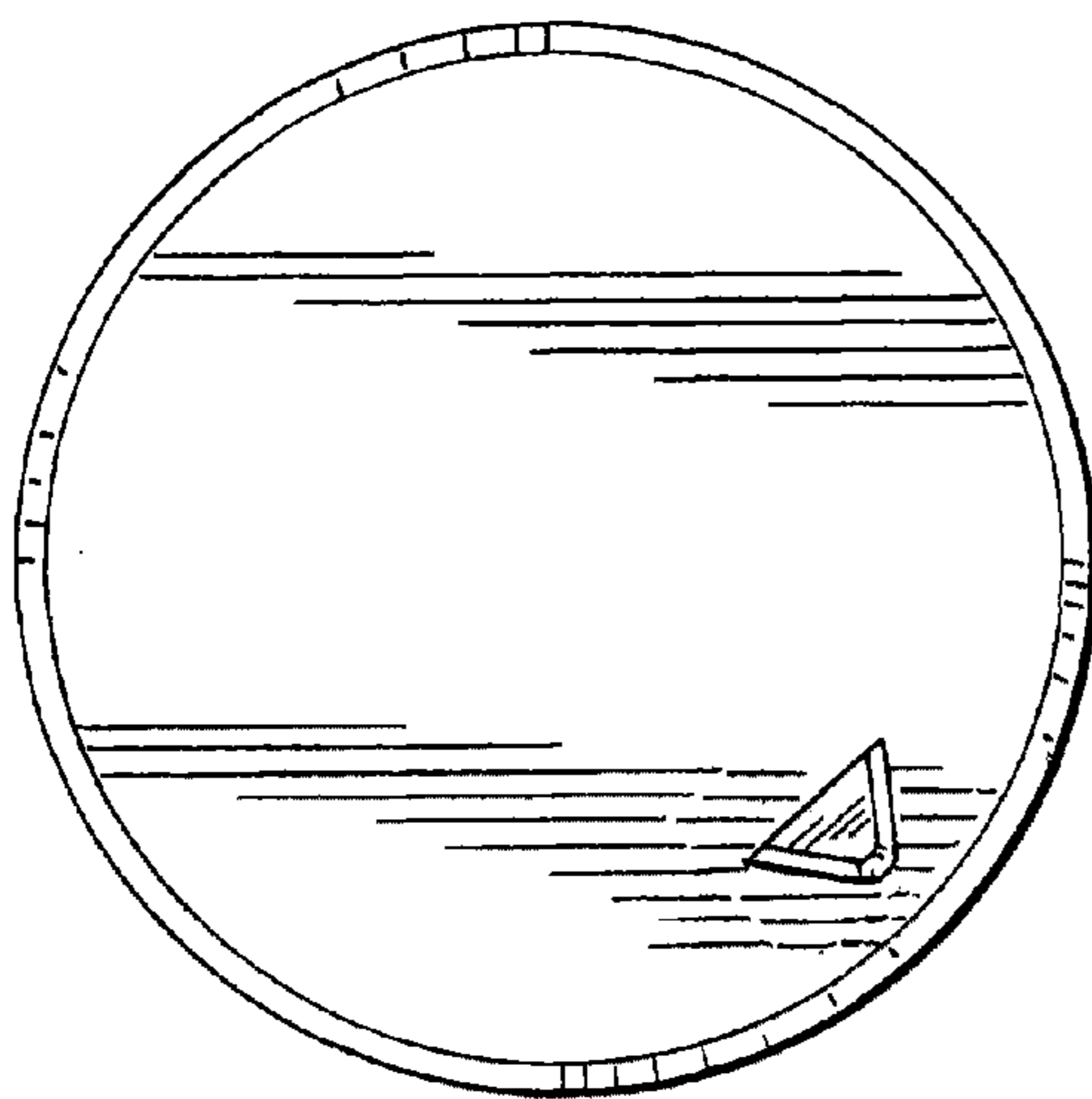


FIG. 16

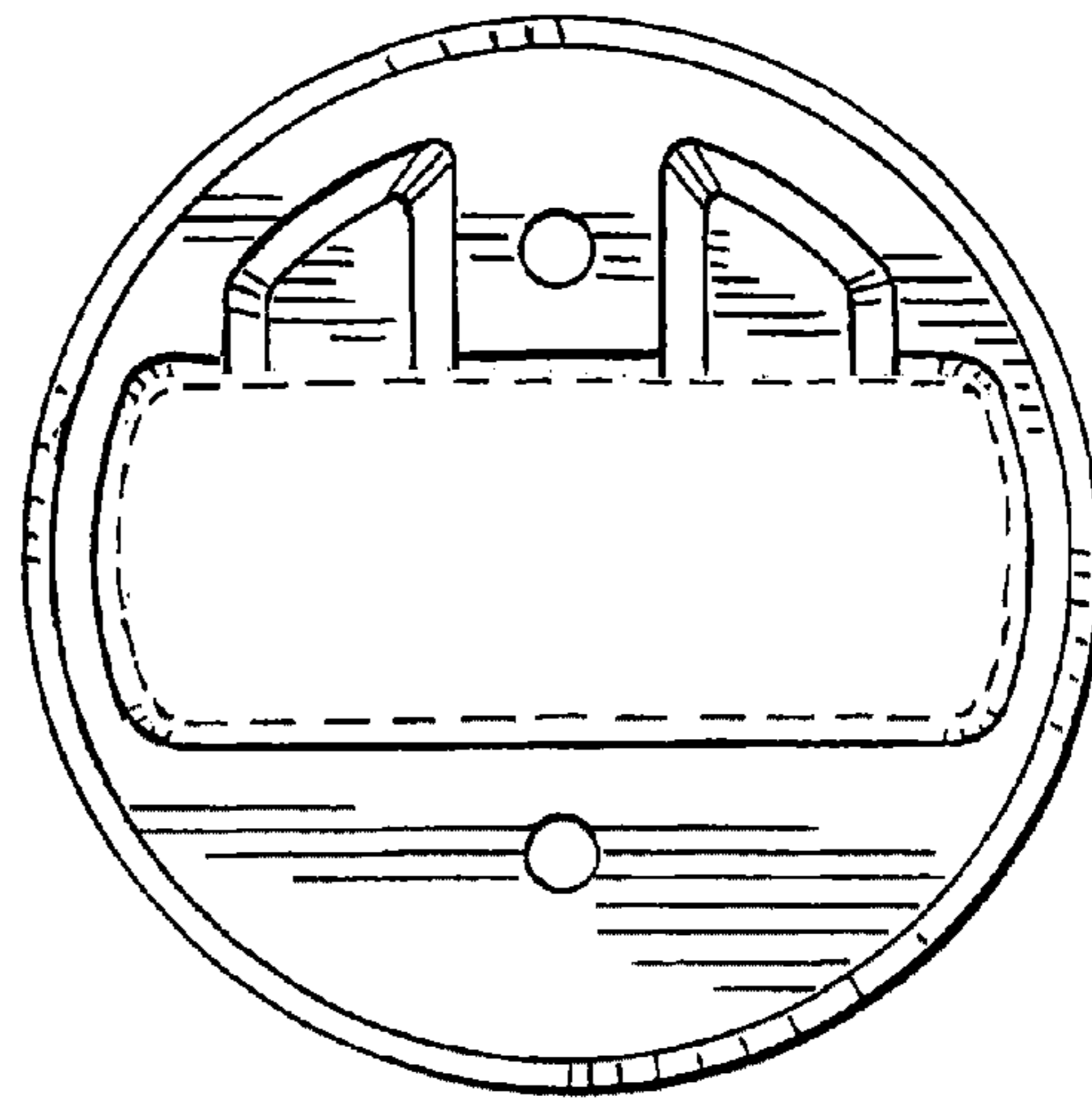


FIG. 17

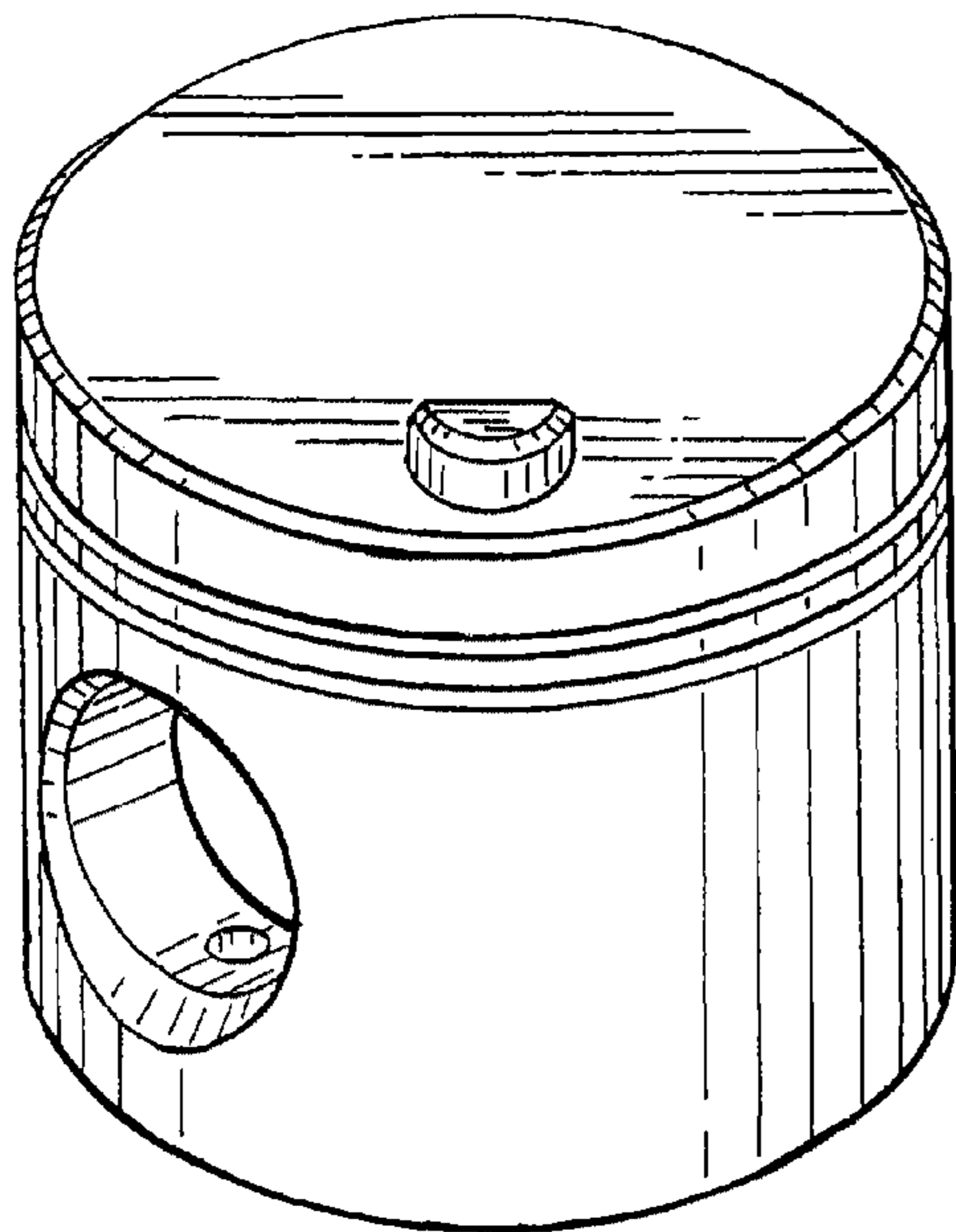


FIG. 18

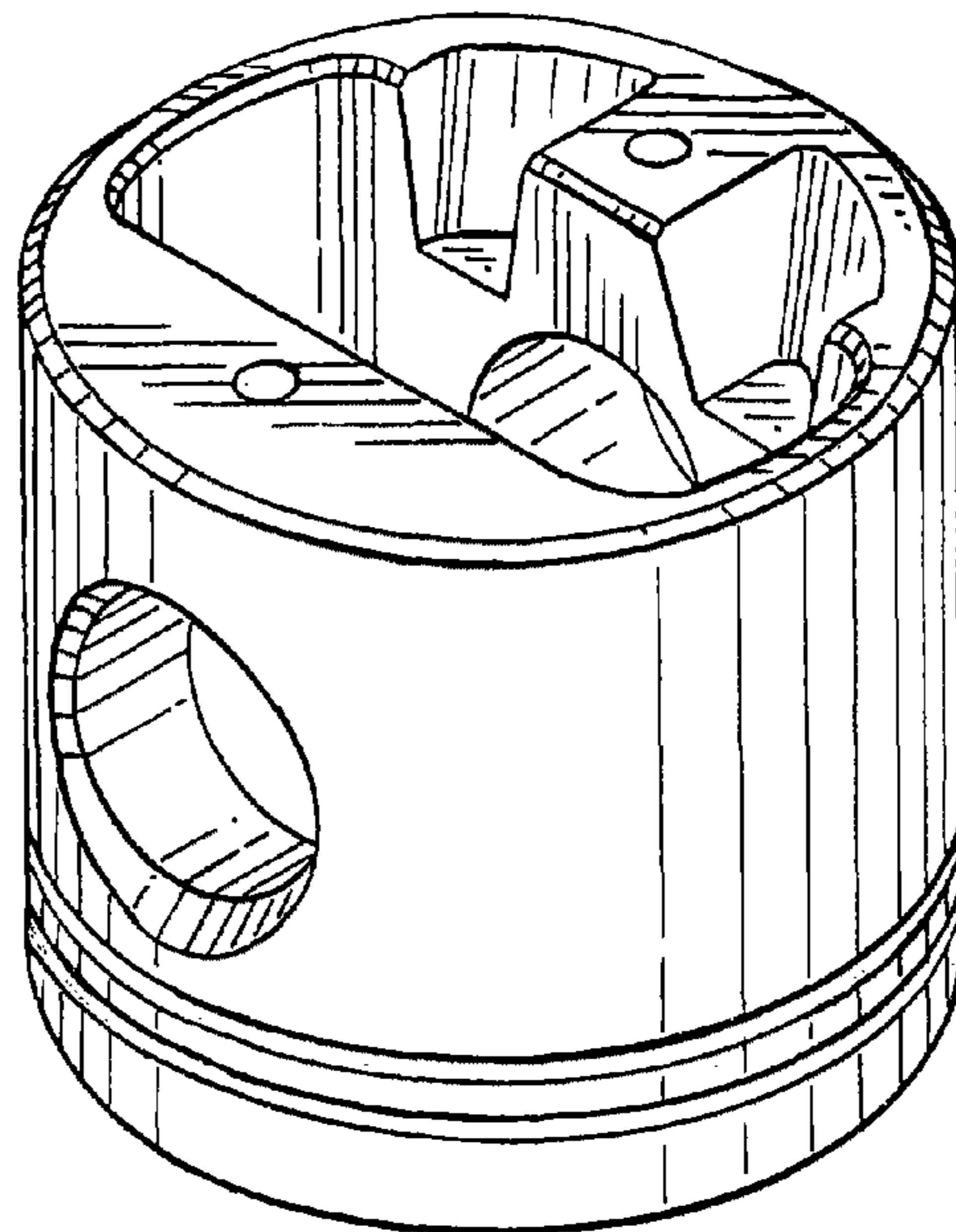


FIG. 19

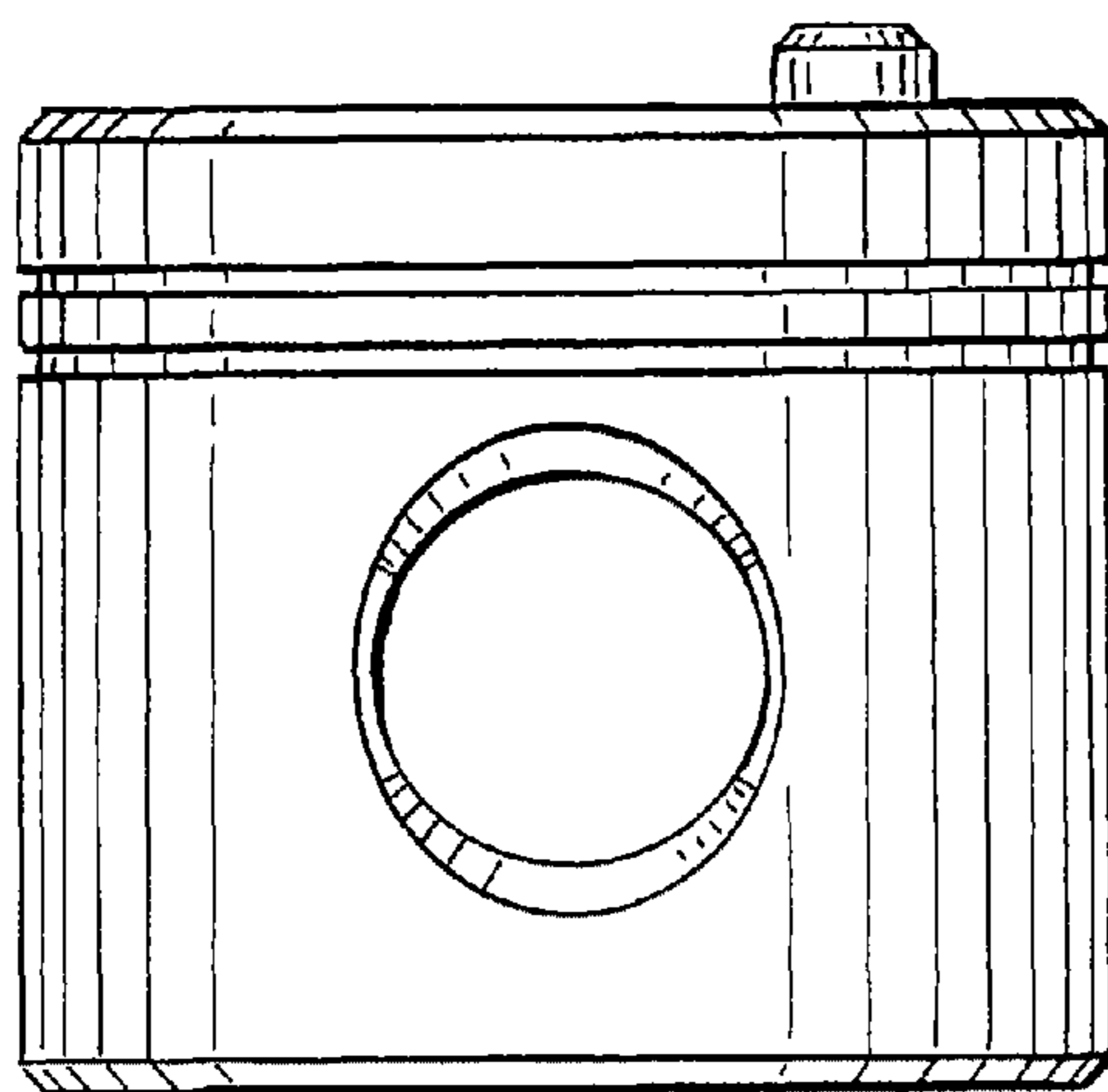


FIG. 20

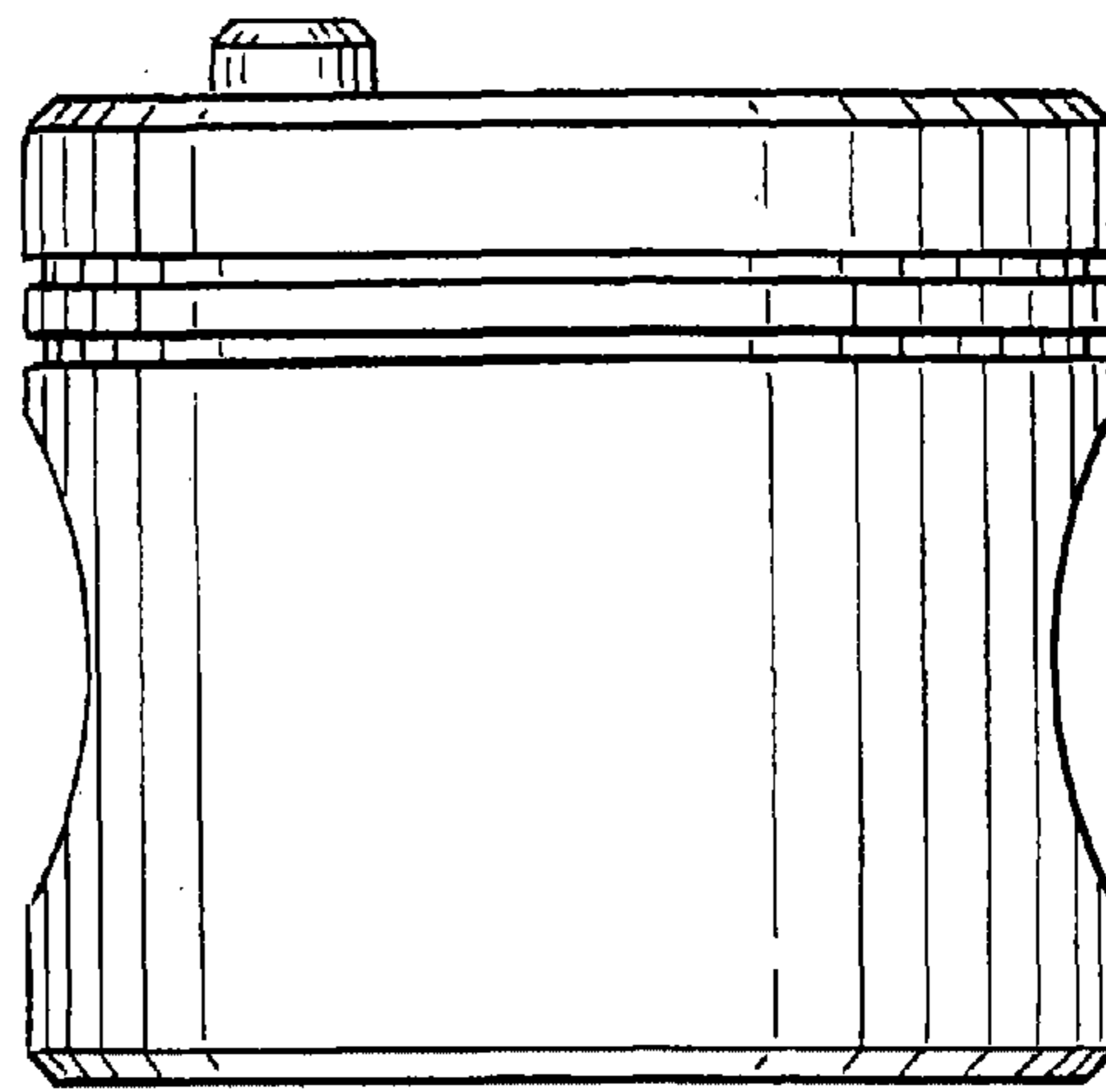


FIG. 21

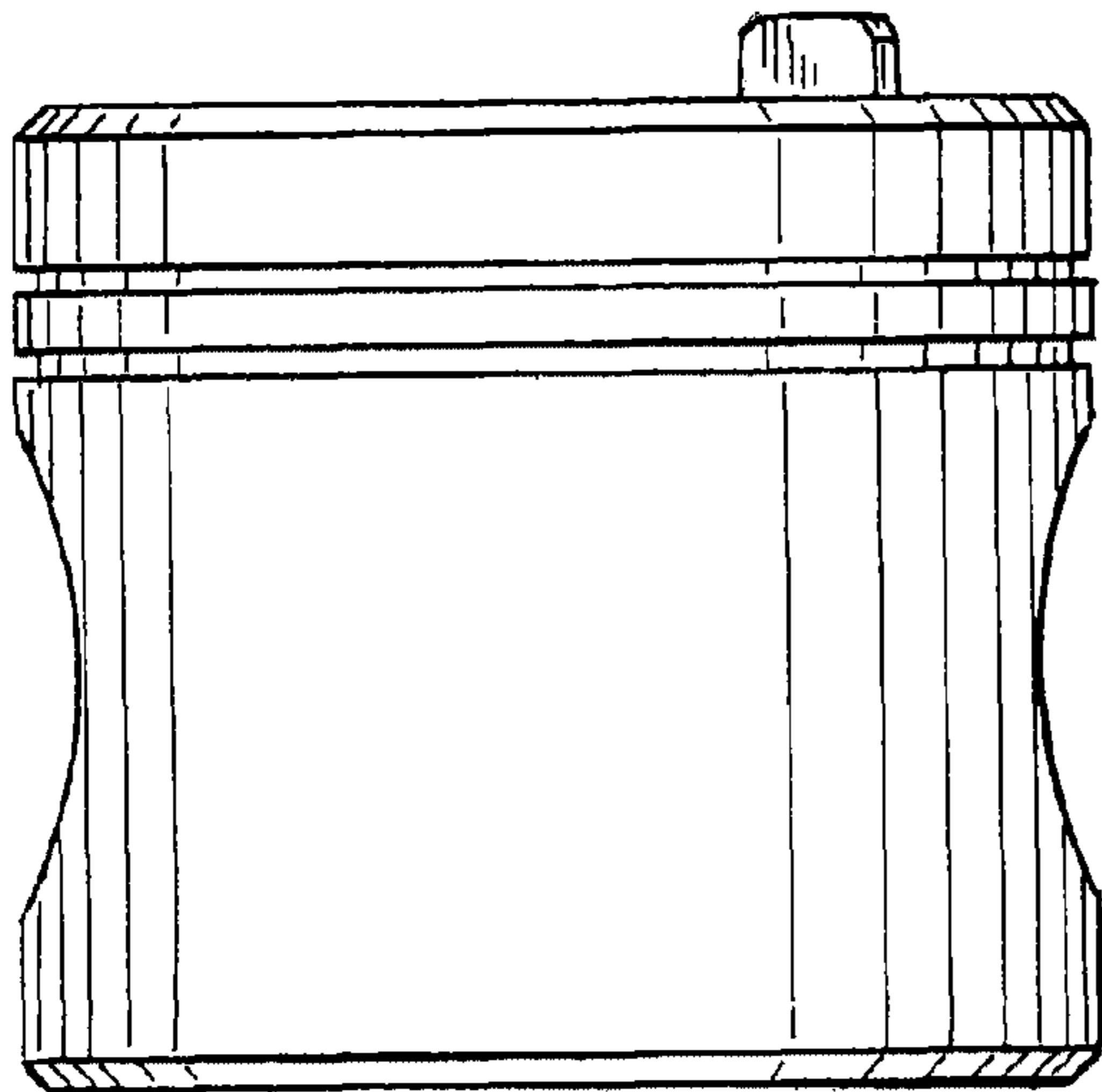


FIG. 22

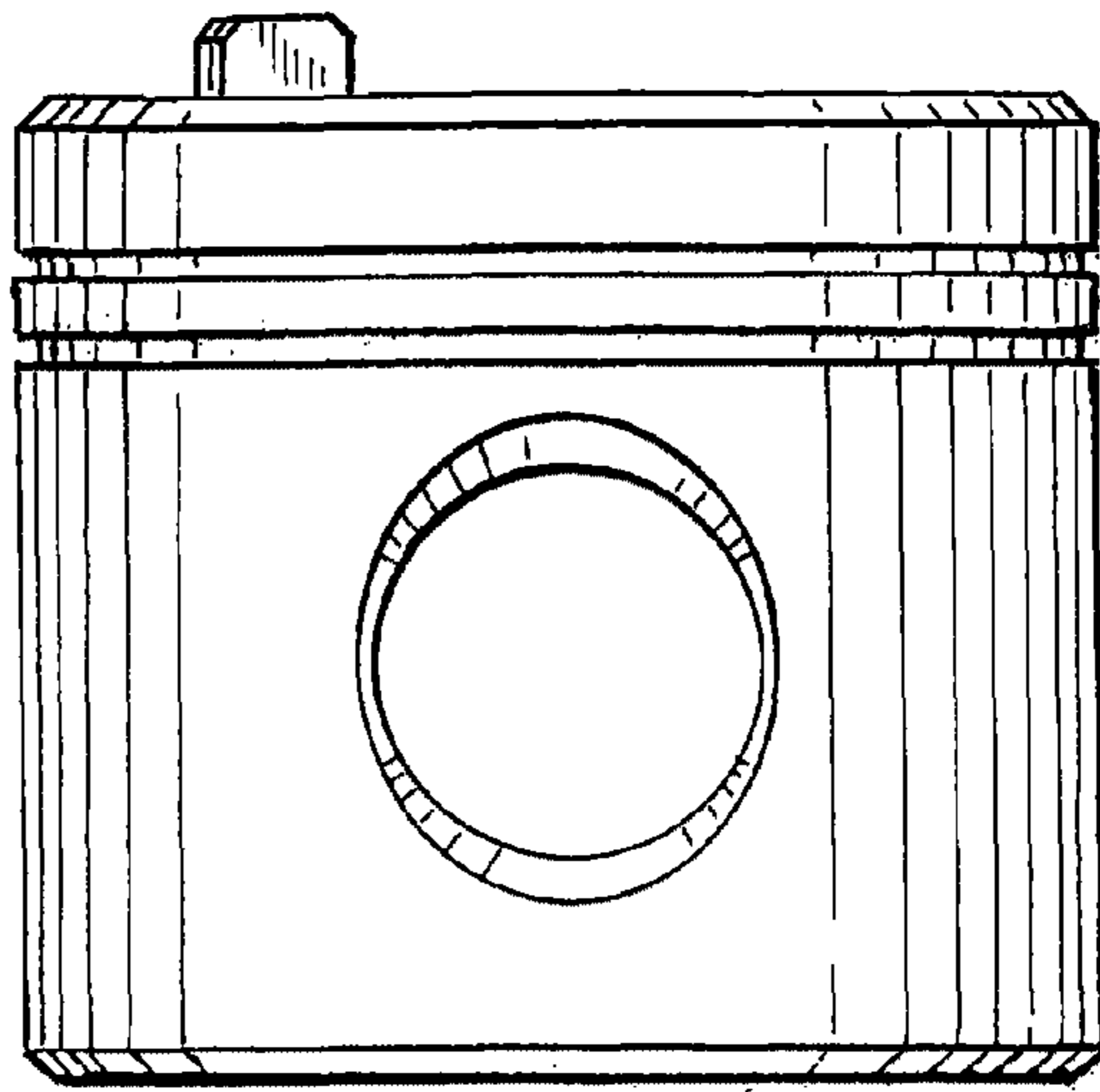


FIG. 23

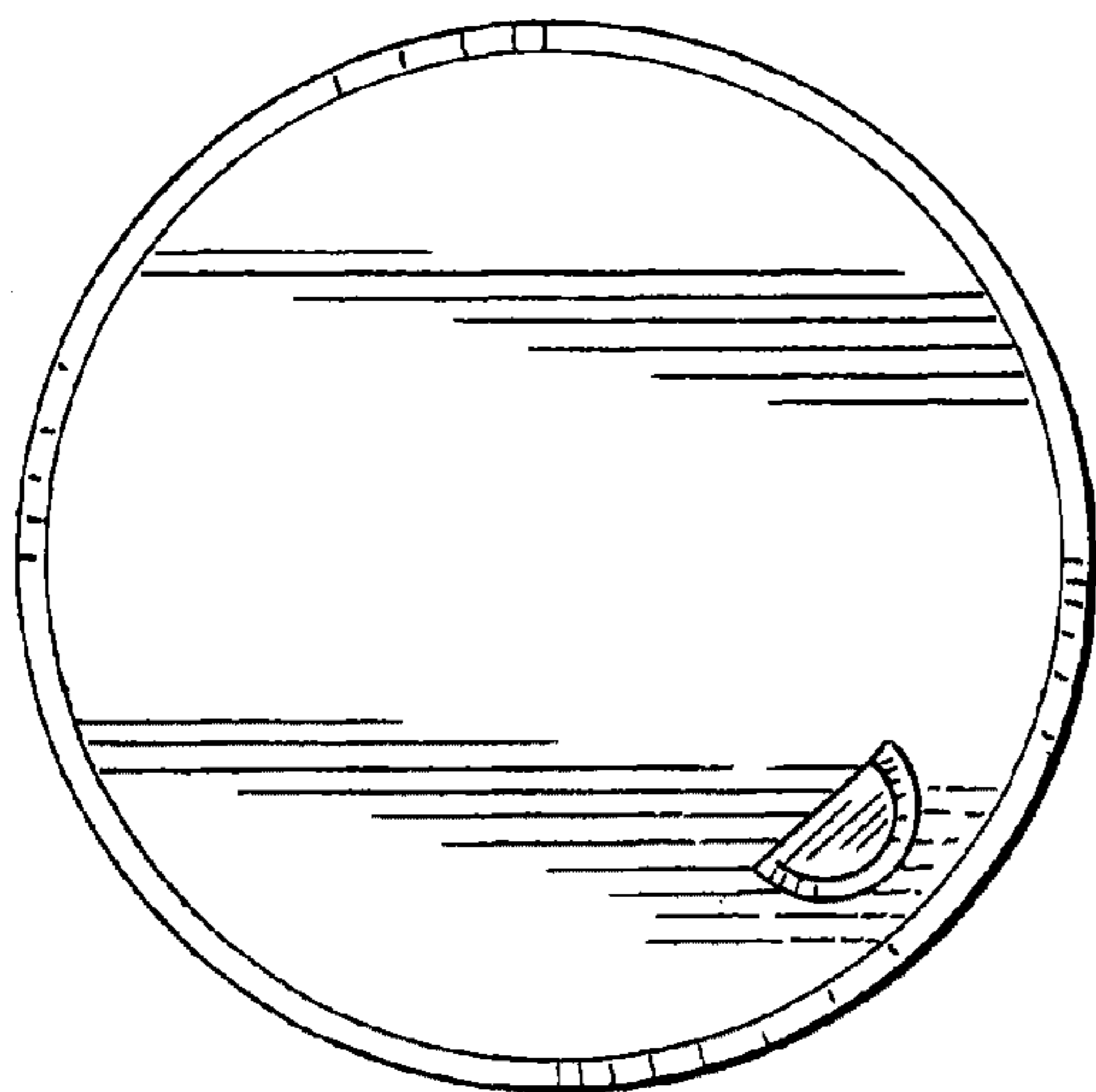


FIG. 24

