



US00D638035S

(12) **United States Design Patent**
Kosugi et al.

(10) **Patent No.:** **US D638,035 S**

(45) **Date of Patent:** **** May 17, 2011**

(54) **ENGINE BLOWER**

(75) Inventors: **Shingo Kosugi**, Hitachinaka (JP);
Masanori Okada, Hitachinaka (JP);
Shinichi Kakefuda, Hitachinaka (JP);
Yoshikazu Yokoyama, Hitachinaka (JP);
Jun Kugenuma, Hitachinaka (JP)

(73) Assignee: **Hitachi Koki Co., Ltd.**, Tokyo (JP)

(**) Term: **14 Years**

(21) Appl. No.: **29/367,330**

(22) Filed: **Aug. 6, 2010**

(30) **Foreign Application Priority Data**

Feb. 9, 2010 (JP) 2010-002972

(51) **LOC (9) Cl.** **15-01**

(52) **U.S. Cl.** **D15/5**

(58) **Field of Classification Search** D15/1,
D15/2, 3, 5, 6, 14, 17, 149; 123/22, 41.34,
123/51 A, 606 R, 52.1, 50 A, 50 B, 54.1,
123/54.2, 54.4, 54.5, 65 R, 195 R, 195 HC,
123/657, 311; D32/15; 15/405, 330

See application file for complete search history.

(56) **References Cited**

U.S. PATENT DOCUMENTS

D339,432	S	*	9/1993	Rakocy et al.	D32/15
D359,603	S	*	6/1995	Rakocy et al.	D32/15
D363,149	S	*	10/1995	Franke et al.	D32/15
D431,697	S	*	10/2000	Hayakawa et al.	D32/15
D480,844	S	*	10/2003	Noma et al.	D32/15
D538,984	S	*	3/2007	King	D32/15
D591,916	S	*	5/2009	Kosugi et al.	D32/15
2010/0086412	A1	*	4/2010	Egawa	417/1

* cited by examiner

Primary Examiner — T. Chase Nelson

Assistant Examiner — Ania K Dworzecka

(74) *Attorney, Agent, or Firm* — Sughrue Mion, PLLC

(57) **CLAIM**

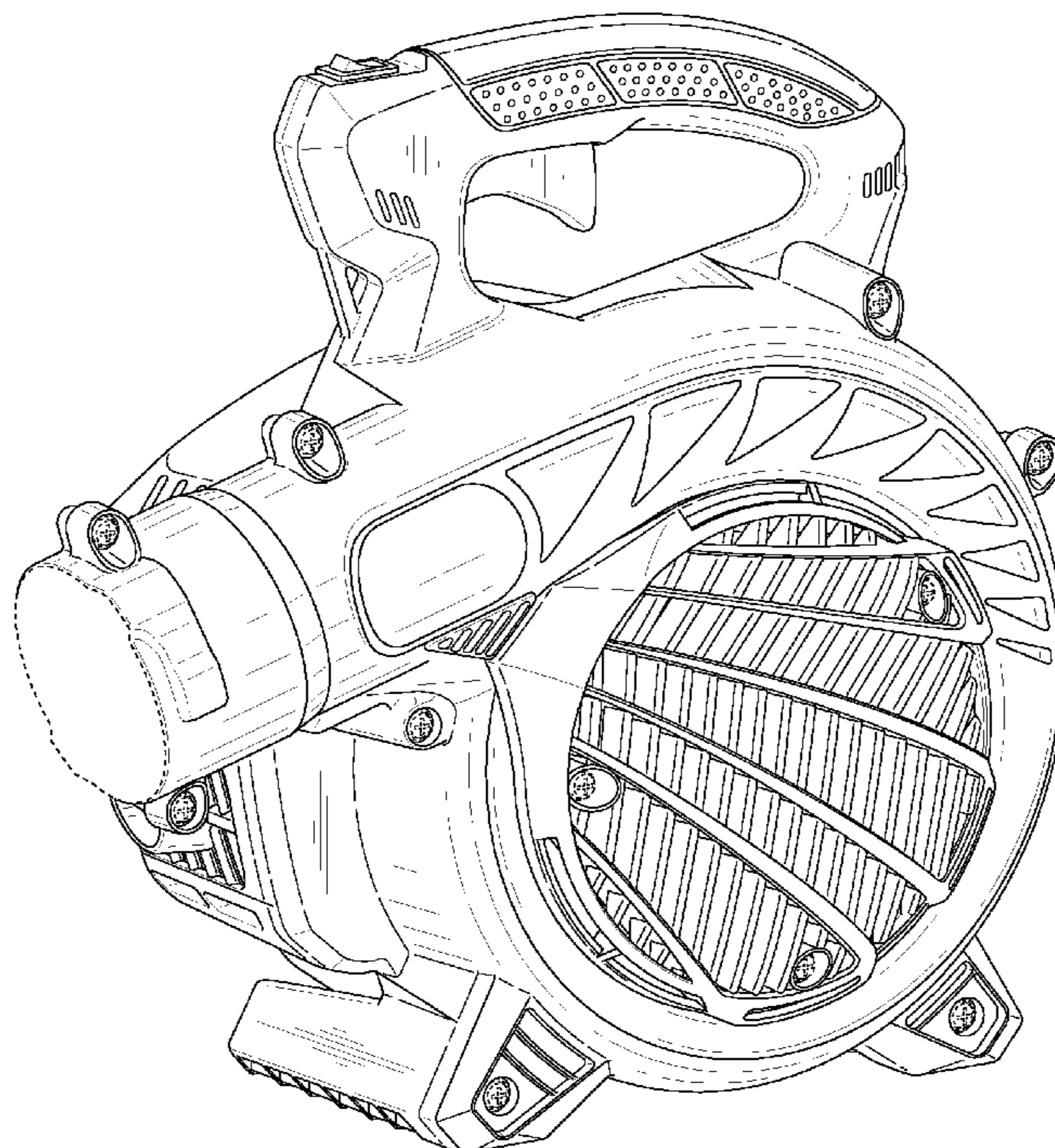
The ornamental design for engine blower, as shown and described.

DESCRIPTION

FIG. 1 is a front perspective view of the engine blower showing our new design;
FIG. 2 is a rear perspective view thereof;
FIG. 3 is a front view thereof;
FIG. 4 is a rear view thereof;
FIG. 5 is a top plan view thereof;
FIG. 6 is a bottom view thereof;
FIG. 7 is a left side view thereof; and,
FIG. 8 is a right side view thereof.

The broken lines represent the portions of the design that form no part of the claim.

1 Claim, 8 Drawing Sheets



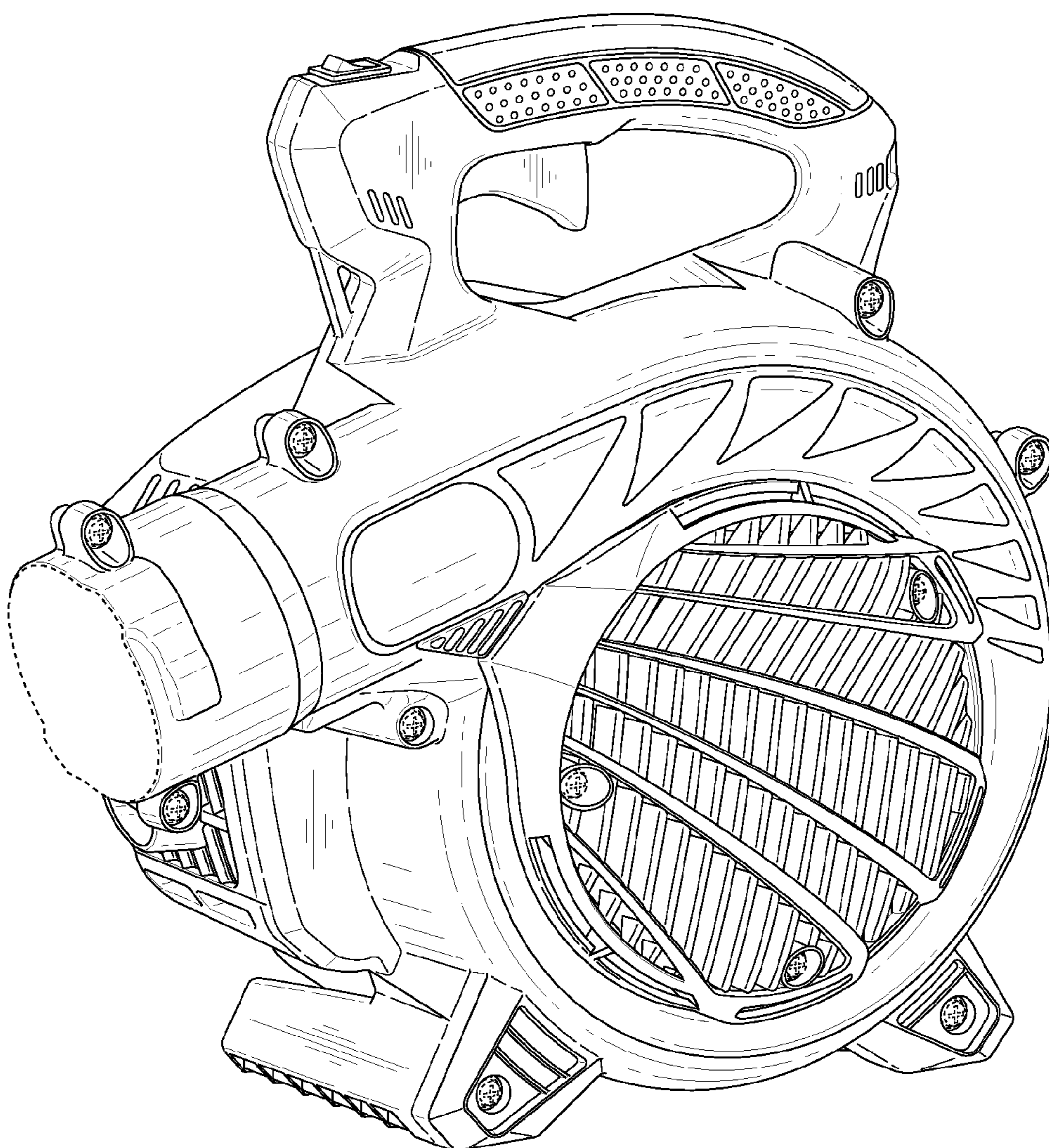


FIG. 1

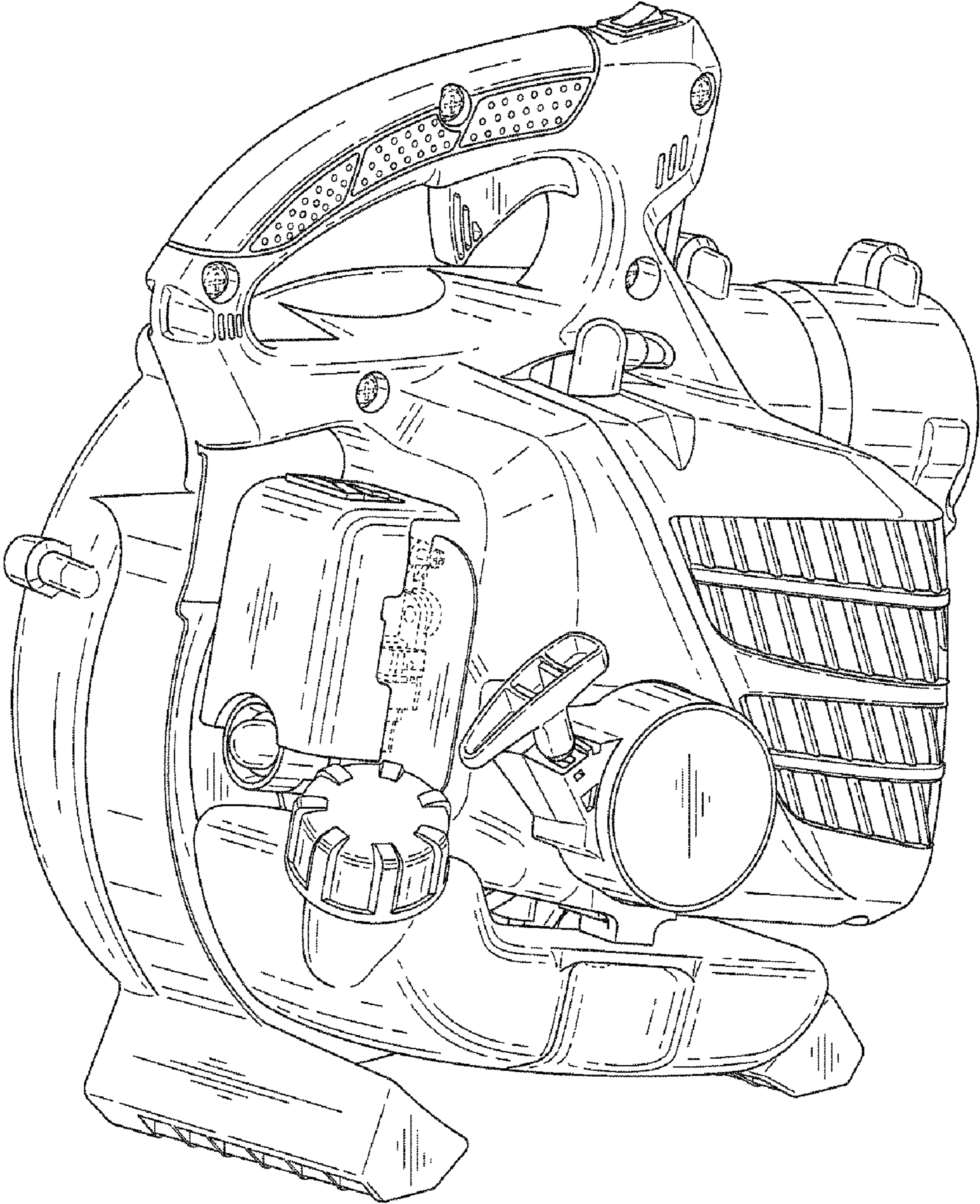


FIG. 2

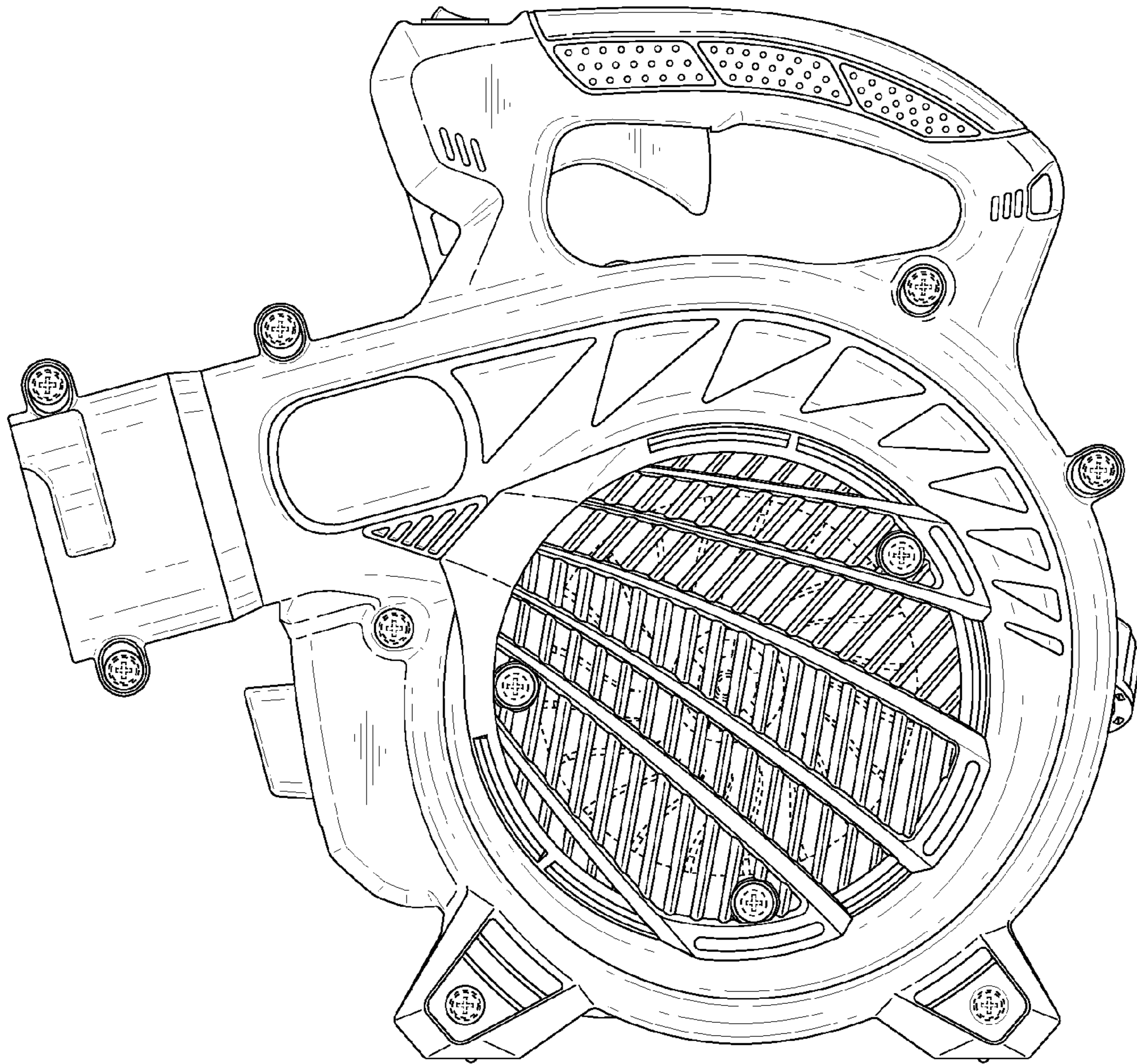


FIG. 3

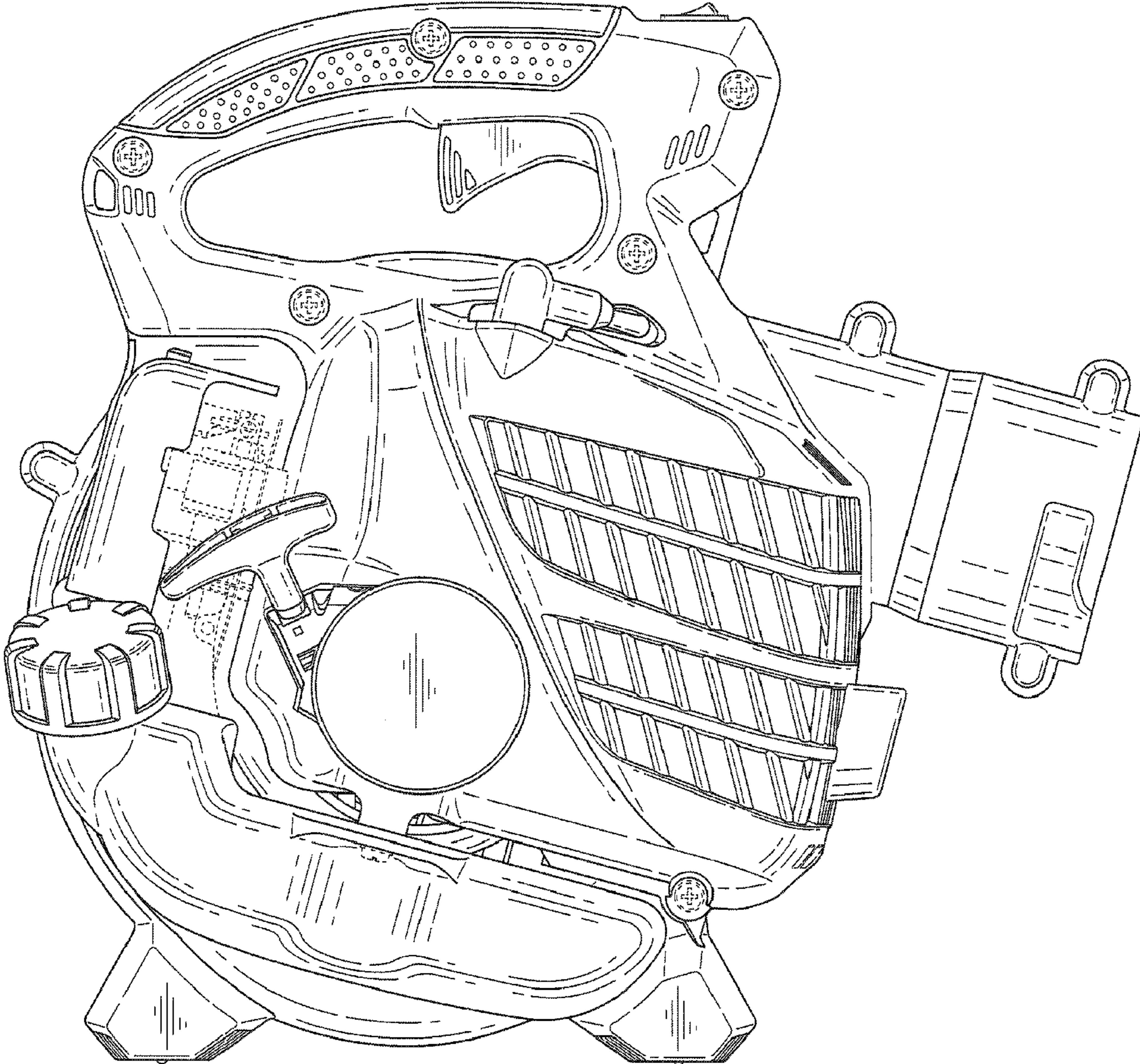


FIG. 4

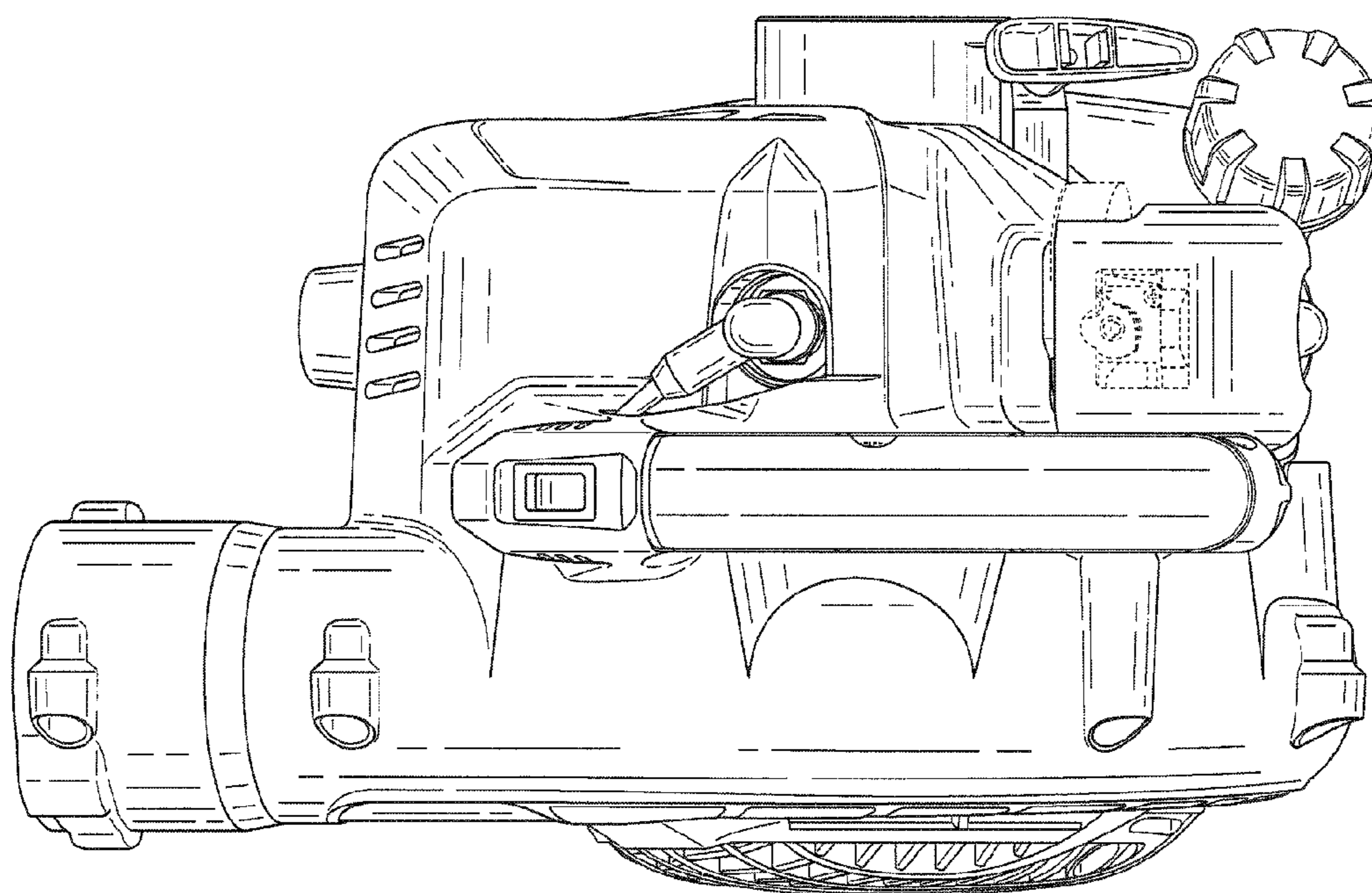


FIG. 5

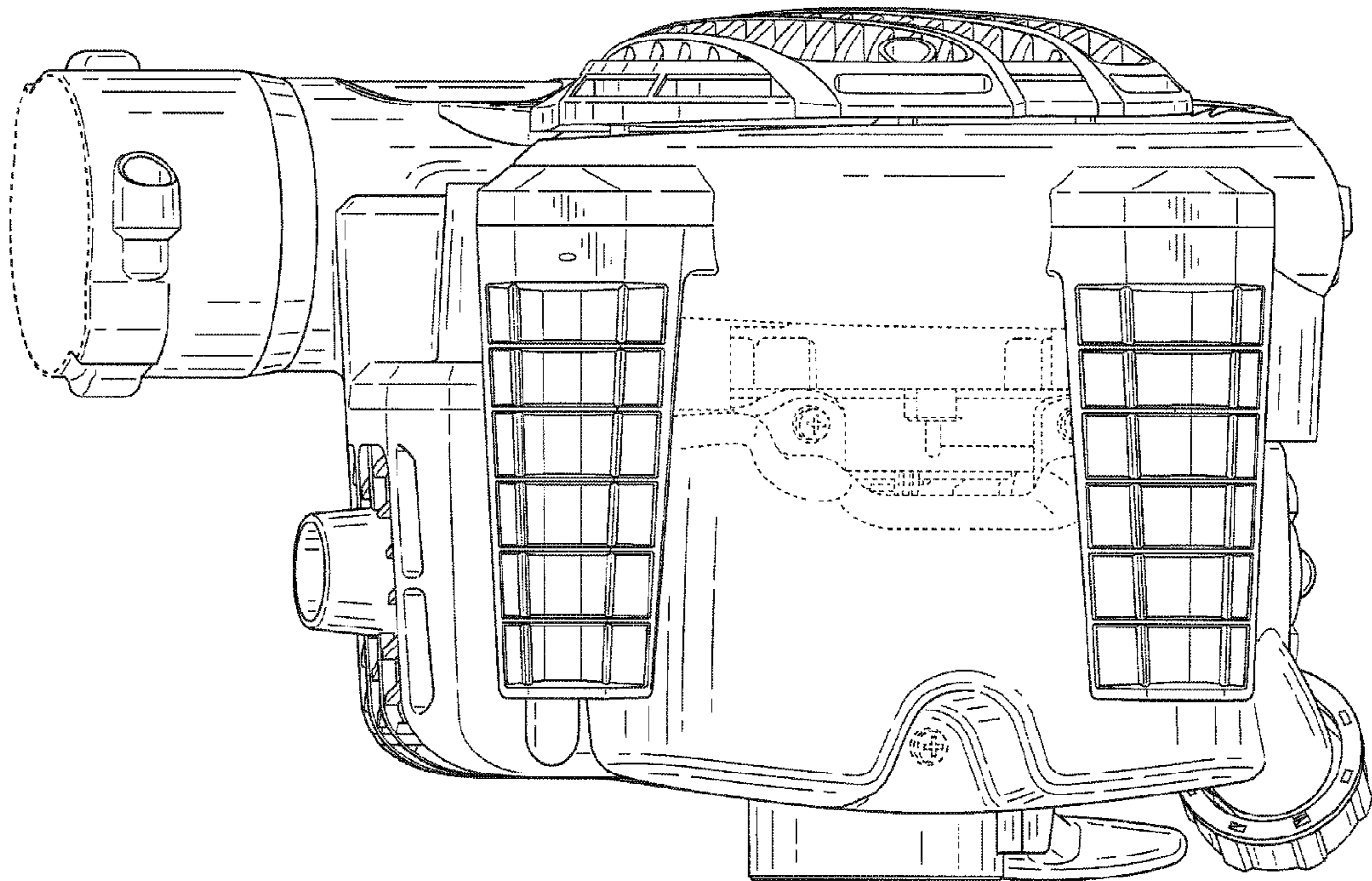


FIG. 6

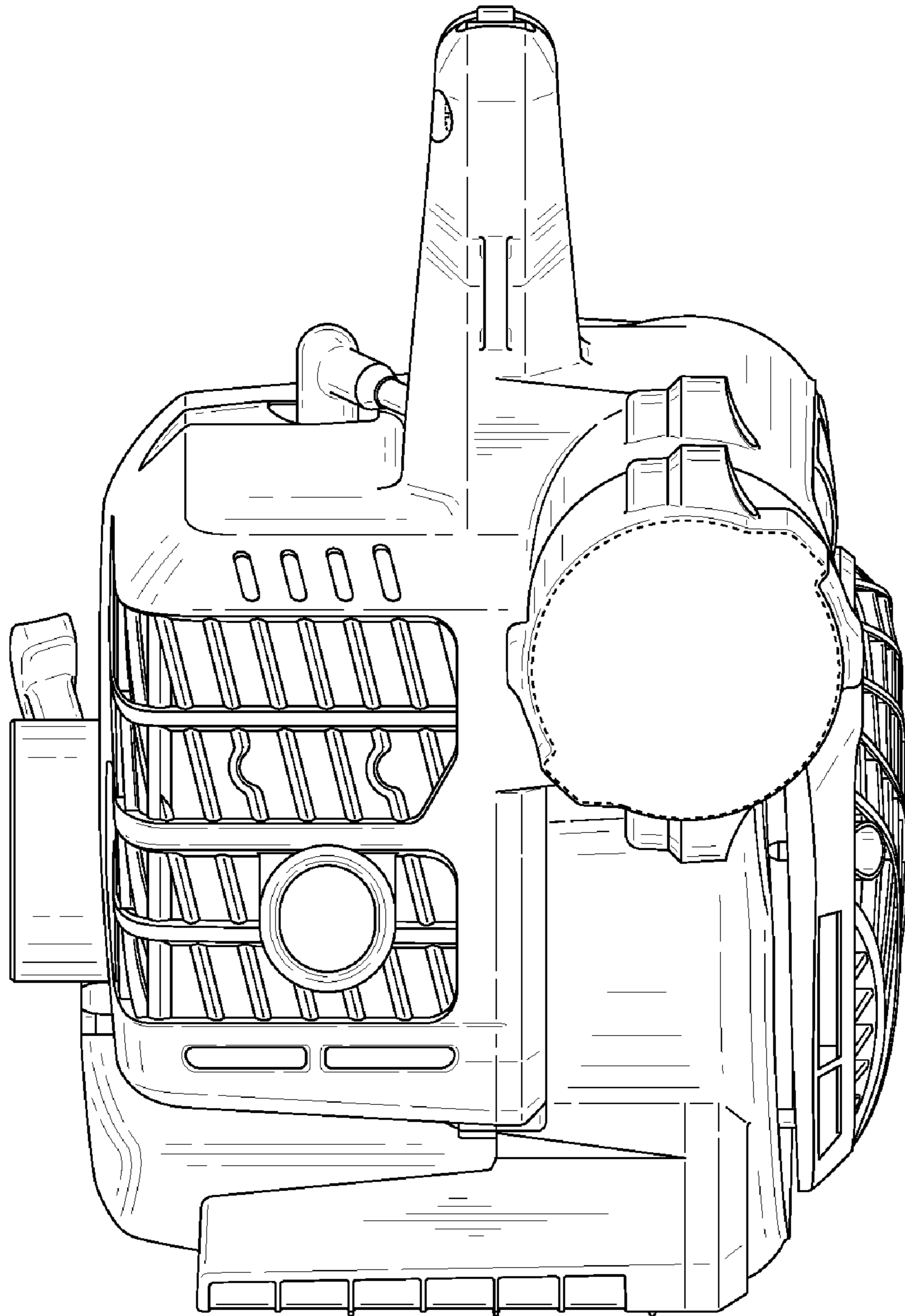


FIG. 7

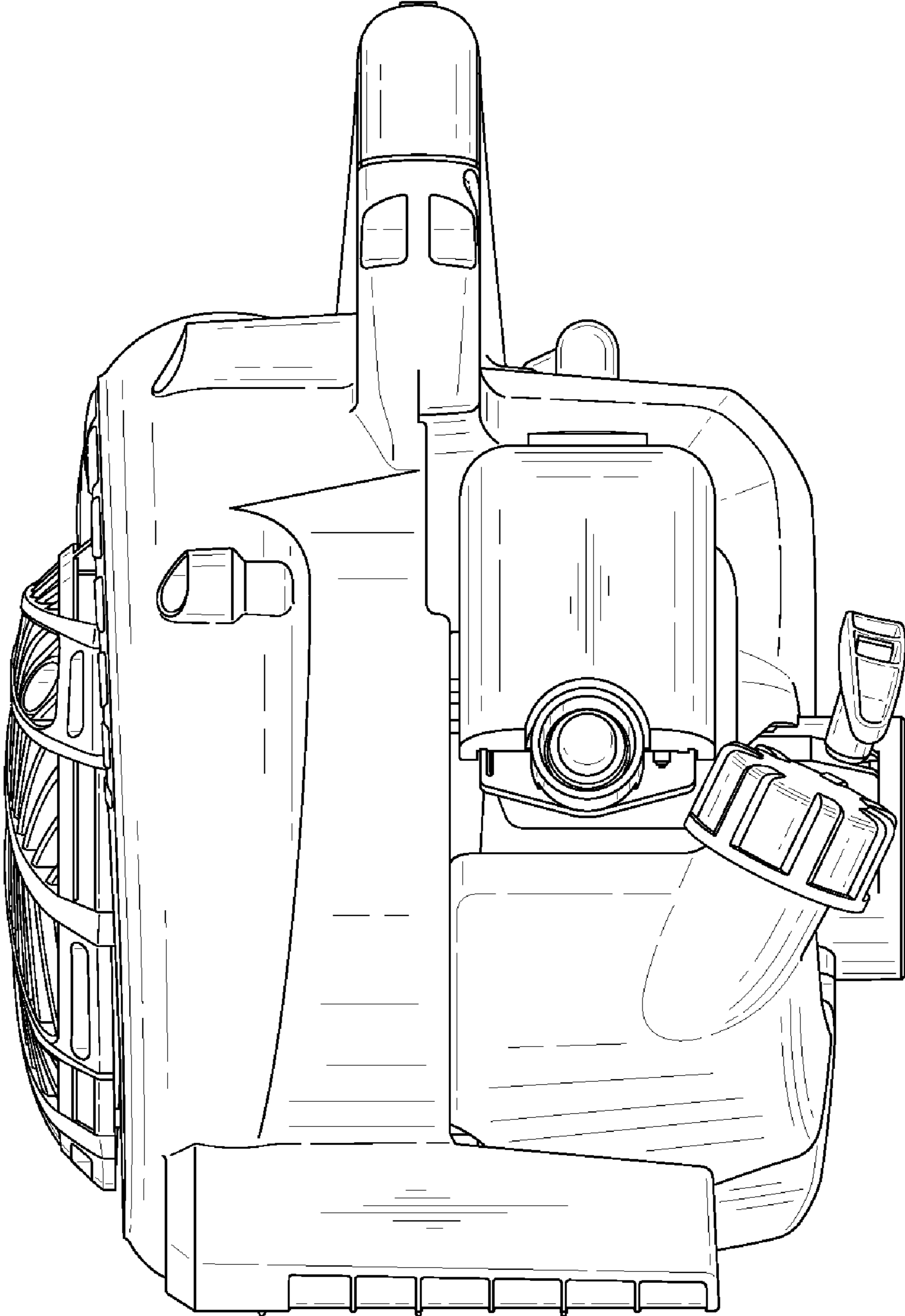


FIG. 8