



US00D638034S

(12) **United States Design Patent**  
**Jiang et al.**

(10) **Patent No.:** **US D638,034 S**

(45) **Date of Patent:** **\*\* May 17, 2011**

(54) **ENGINE FILTER**

(75) Inventors: **Zemin Jiang**, Cookeville, TN (US);  
**Wassem Abdalla**, Quimper (FR); **Chad Brummitt**, Algood, TN (US)

(73) Assignee: **Cummins Filtration IP, Inc.**,  
Minneapolis, MN (US)

(\*\*) Term: **14 Years**

(21) Appl. No.: **29/333,562**

(22) Filed: **Mar. 11, 2009**

(51) **LOC (9) Cl.** ..... **15-01**

(52) **U.S. Cl.** ..... **D15/5**

(58) **Field of Classification Search** ..... D15/5,  
D15/17, 28; D12/218, 220; D23/209, 365;  
55/385.3; 210/97, 198.1, 416.4, 416.5, 348,  
210/321.78, 443-449, 257.1-257.2, 258,  
210/260, 261

See application file for complete search history.

(56) **References Cited**

U.S. PATENT DOCUMENTS

D219,103 S \* 11/1970 Dexter ..... D23/209  
D222,641 S 11/1971 Roosa  
D241,936 S 10/1976 Rosaen

D254,086 S 1/1980 Hodgkins  
D307,461 S \* 4/1990 Kim ..... D23/209  
D309,974 S \* 8/1990 Tannous ..... D23/209  
D346,640 S \* 5/1994 Kim ..... D23/209  
D471,623 S \* 3/2003 Gieseke et al. .... D23/365  
D477,659 S \* 7/2003 Gieseke et al. .... D23/365  
6,884,349 B1 4/2005 Jiang

\* cited by examiner

*Primary Examiner* — Cathron C. Brooks

*Assistant Examiner* — Maurice Stevens

(74) *Attorney, Agent, or Firm* — IpHorgan Ltd.

(57) **CLAIM**

The ornamental design of the engine filter, as shown and described.

**DESCRIPTION**

FIG. 1 is a perspective top view of the engine filter showing our new design;

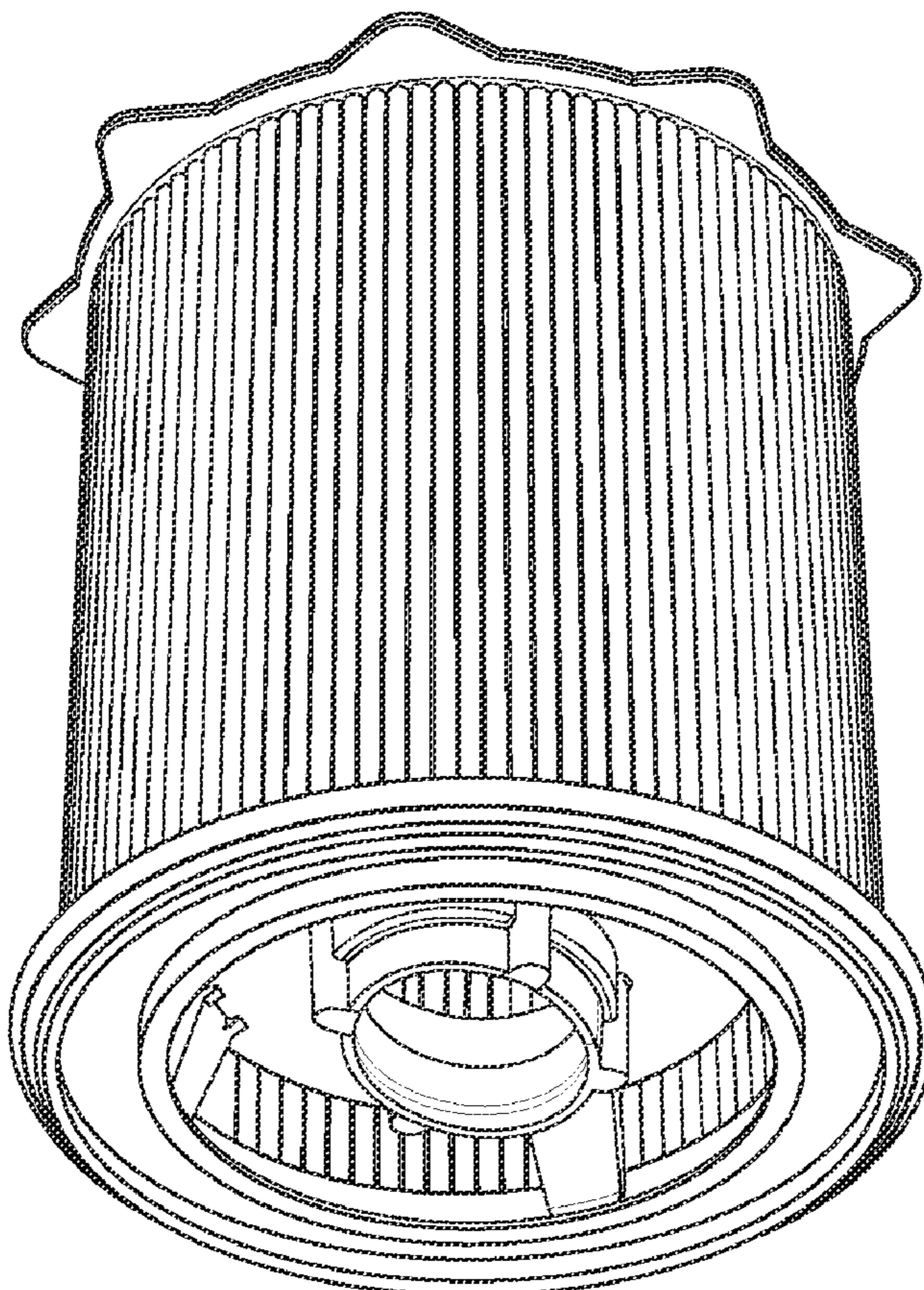
FIG. 2 is a perspective bottom view of the engine filter;

FIG. 3 is a top view thereof;

FIG. 4 is a bottom view thereof; and,

FIG. 5 is a side view thereof, all side views being identical, except for the differences of the rounded protruding features.

**1 Claim, 2 Drawing Sheets**



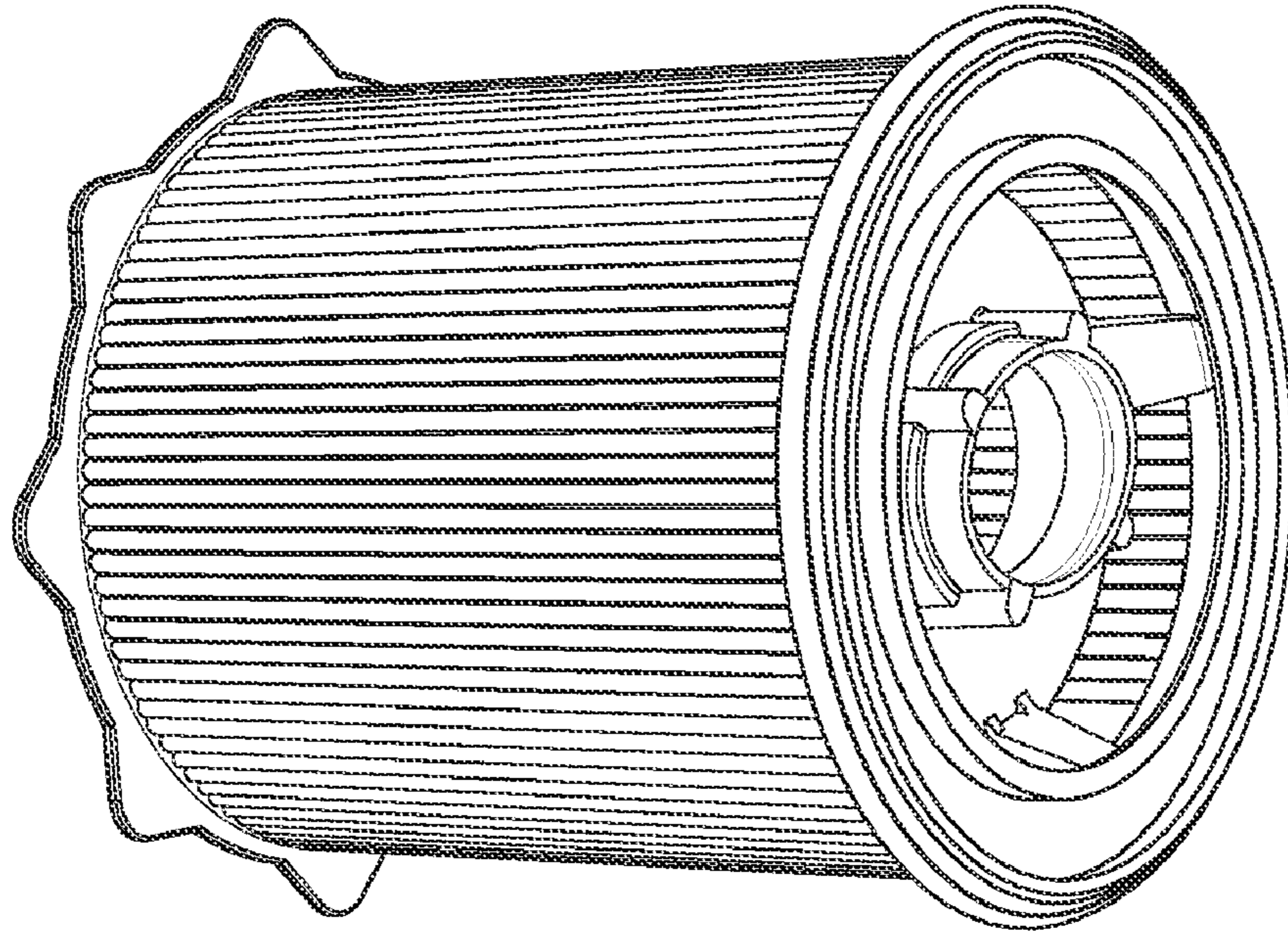


FIG. 2

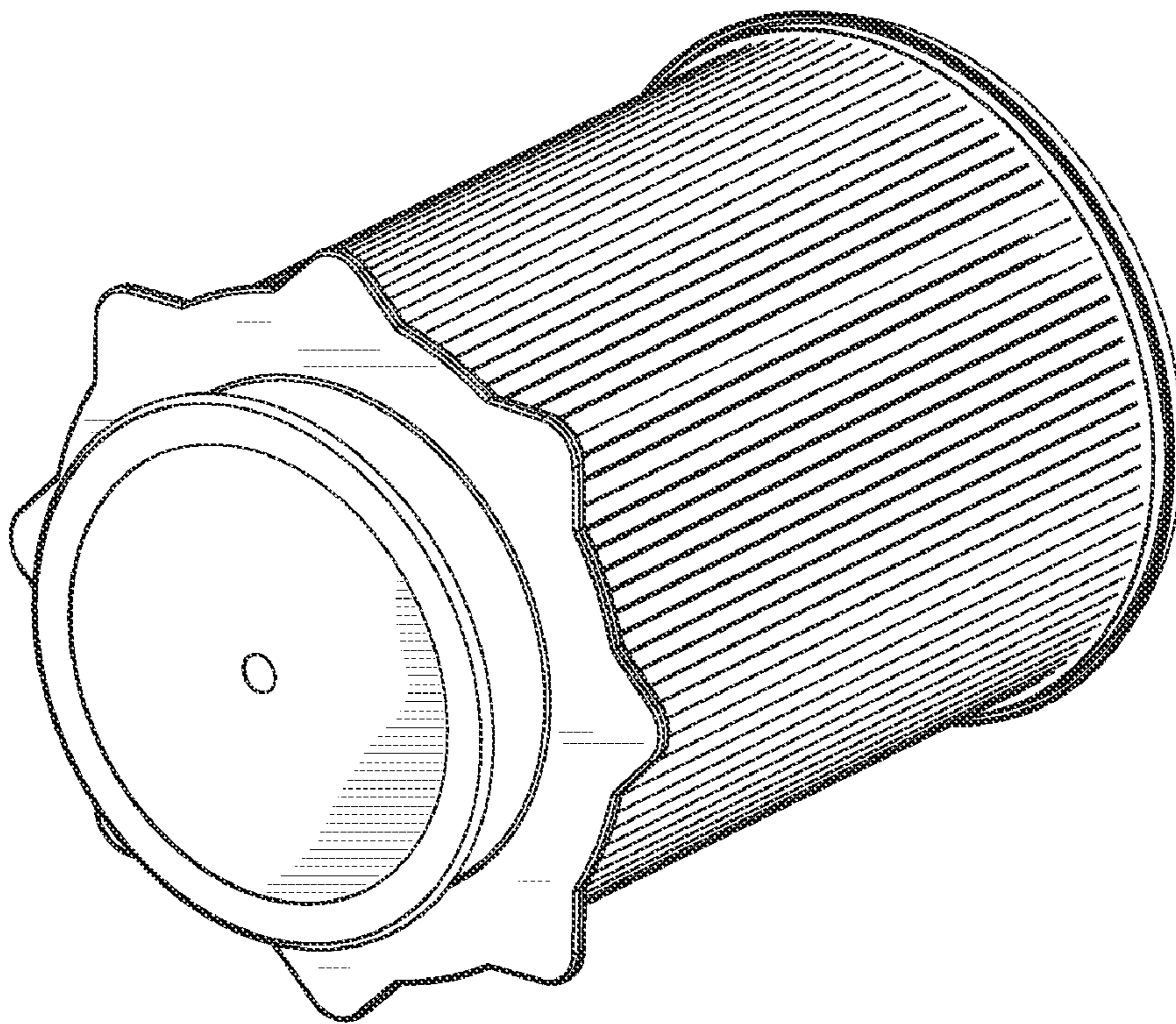


FIG. 1

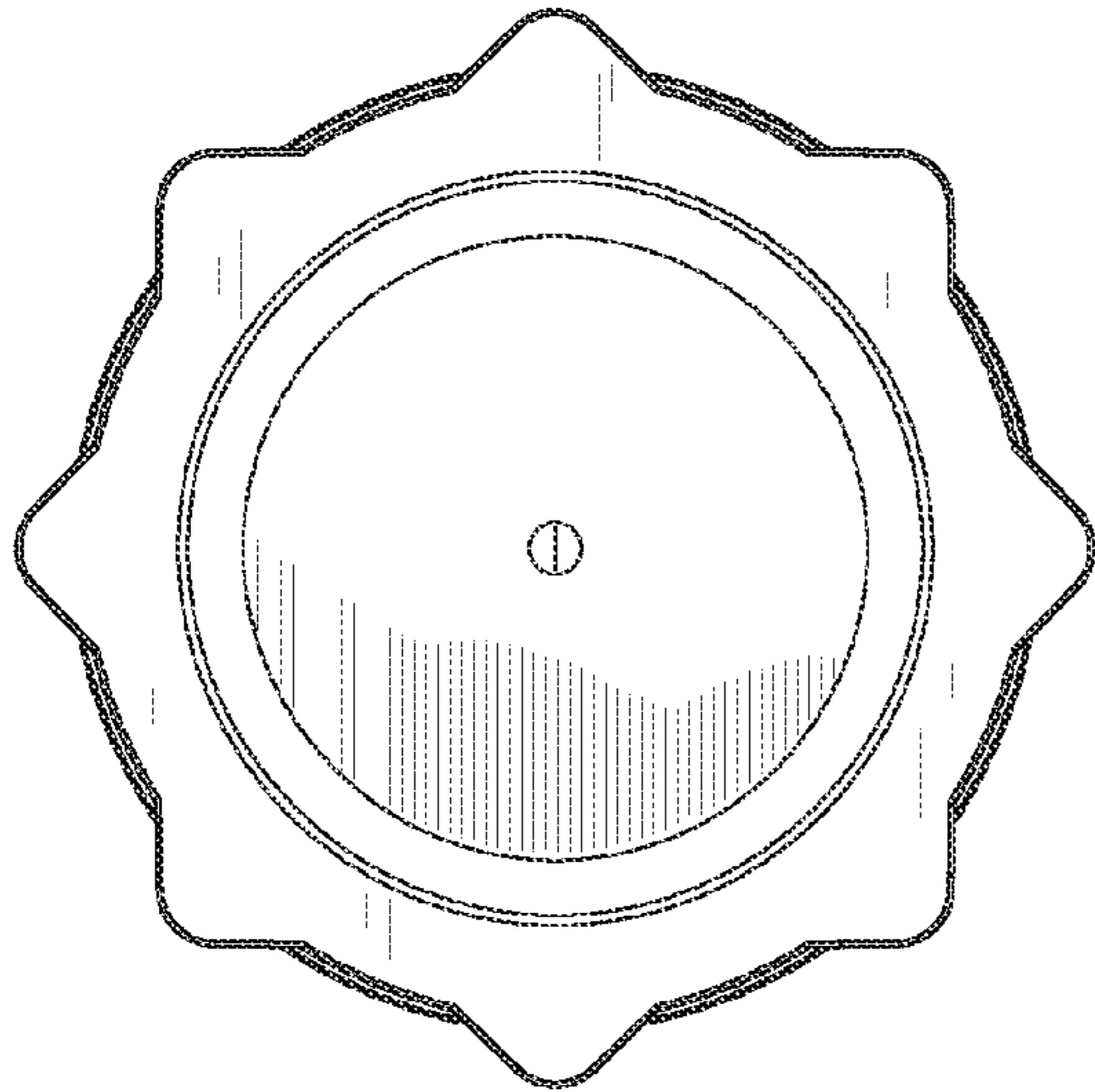


FIG. 3

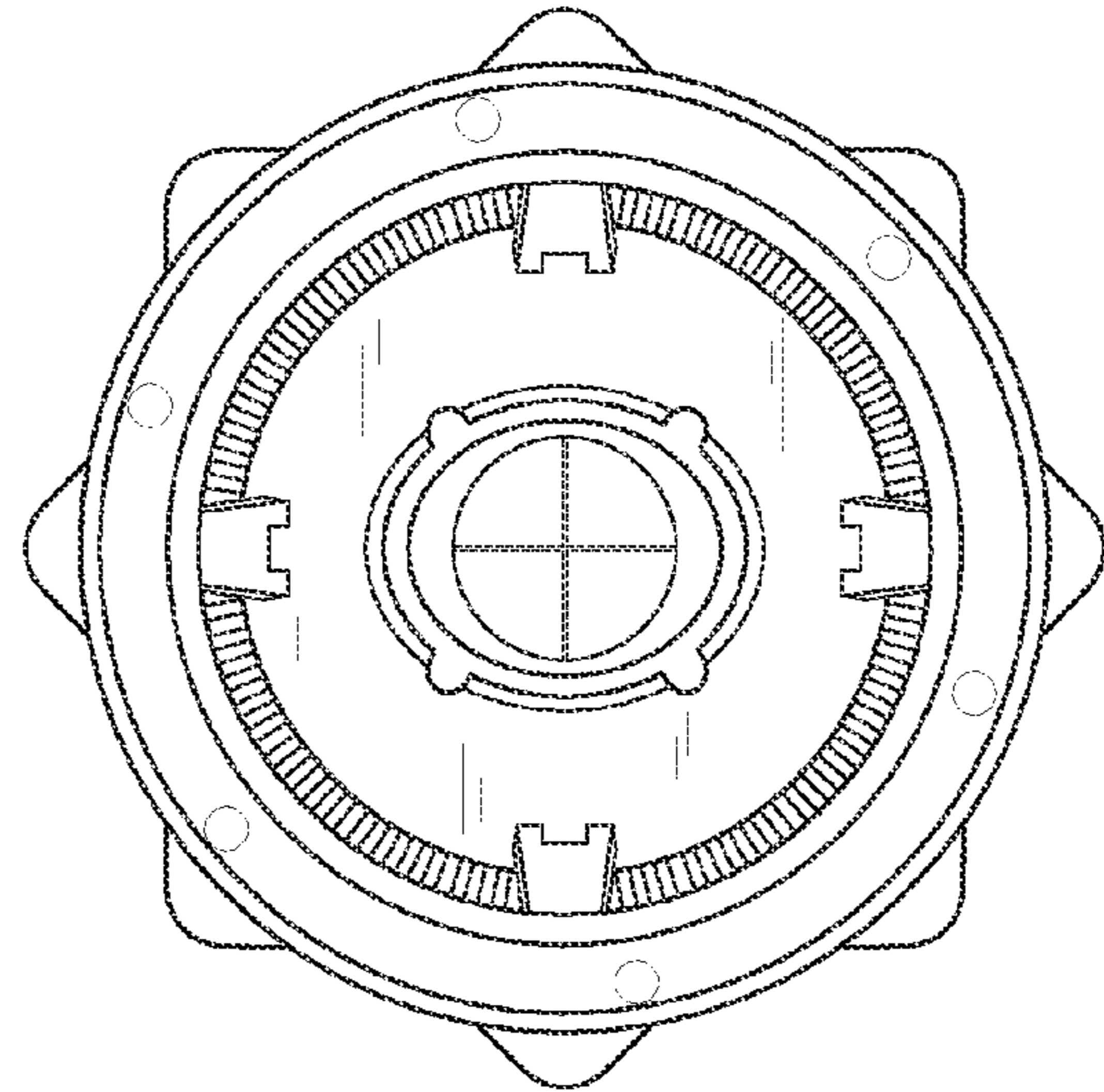


FIG. 4

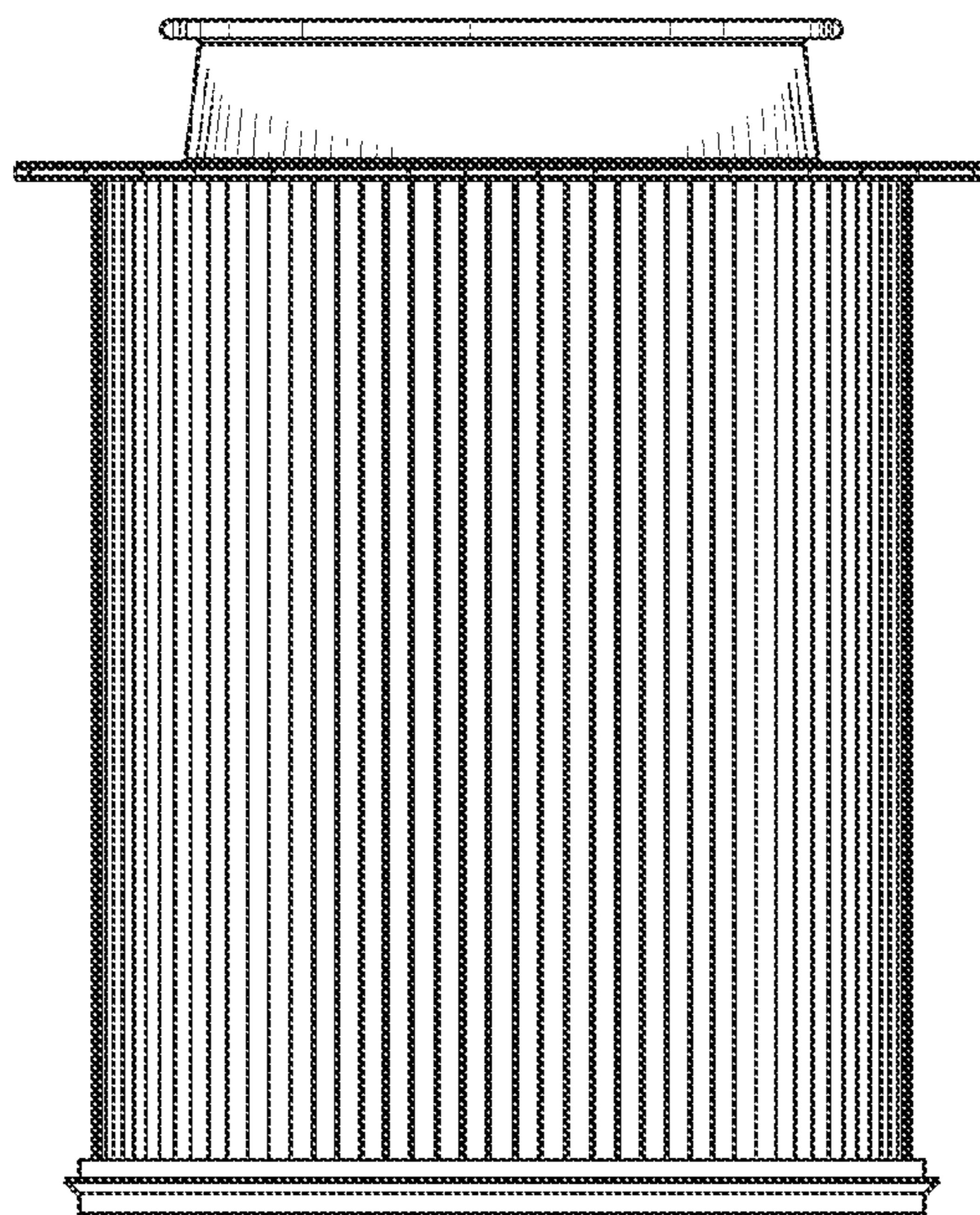


FIG. 5