



US00D638033S

(12) **United States Design Patent**
Ballard

(10) **Patent No.:** **US D638,033 S**

(45) **Date of Patent:** **** May 17, 2011**

(54) **AIR INTAKE ASSEMBLY**

(76) Inventor: **Claudio R. Ballard**, Fort Lauderdale, FL
(US)

(**) Term: **14 Years**

(21) Appl. No.: **29/304,859**

(22) Filed: **Mar. 7, 2008**

(51) **LOC (9) Cl.** **15-01**

(52) **U.S. Cl.** **D15/5**

(58) **Field of Classification Search** D15/1-5,
D15/150; 123/52 M, 41.1, 41.73, 210, 184.21,
123/184.25, 184.26, 184.27, 184.61, 572,
123/41.7, 184.53, 184.57, 184.35, 184.36,
123/184.43, 184.48, 184.34; 261/DIG. 36,
261/23.3, 23.4

See application file for complete search history.

4,591,211 A 5/1986 Browning et al.
4,707,788 A 11/1987 Tashiro et al.
4,771,368 A 9/1988 Tsukamoto et al.
4,772,299 A 9/1988 Bogusz
4,807,490 A 2/1989 Foggini
4,825,669 A 5/1989 Herrera
4,957,071 A * 9/1990 Matsuo et al. 123/184.36
5,016,578 A * 5/1991 Ogawa et al. 123/184.34

(Continued)

FOREIGN PATENT DOCUMENTS

DE 19526809 A1 1/1997

(Continued)

OTHER PUBLICATIONS

Ethernet over twisted pair; Wikipedia, the free encyclopedia; Jun. 3,
2008; pp. 1-3; available at [http://en.wikipedia.org/wiki/Ethernet_](http://en.wikipedia.org/wiki/Ethernet_over_twisted_pair)
[over_twisted_pair](http://en.wikipedia.org/wiki/Ethernet_over_twisted_pair).

(Continued)

(56) **References Cited**

U.S. PATENT DOCUMENTS

1,848,064 A 3/1932 Oishei
2,180,731 A 11/1939 Dickinson
2,496,700 A 2/1950 Cole
2,786,359 A 3/1957 Karlan et al.
2,801,118 A 7/1957 Amesbury
2,881,860 A 4/1959 Ternes
2,897,916 A 8/1959 Probst
3,133,741 A 5/1964 Garabello
3,259,684 A 7/1966 Wakefield
3,279,834 A 10/1966 Budzynski
3,351,364 A 11/1967 Warn et al.
3,433,891 A 3/1969 Mackenzie, Jr. et al.
3,435,701 A 4/1969 Bucher
3,641,746 A 2/1972 Smith et al.
3,691,525 A 9/1972 McClellan et al.
3,831,209 A 8/1974 Clingman
4,061,054 A 12/1977 Wenninger
4,135,593 A 1/1979 Fowkes
4,236,274 A 12/1980 Omote et al.
4,441,382 A 4/1984 Snooks
4,515,393 A 5/1985 Sauter
4,590,339 A 5/1986 Scott-Jackson et al.

Primary Examiner — Philip S Hyder

Assistant Examiner — Linda G. Brooks

(74) *Attorney, Agent, or Firm* — Howison & Arnott, L.L.P.

(57) **CLAIM**

The ornamental design for an air intake assembly, as shown
and described.

DESCRIPTION

FIG. 1 is a top perspective view of an air intake assembly;

FIG. 2 is a top view thereof;

FIG. 3 is a bottom view thereof;

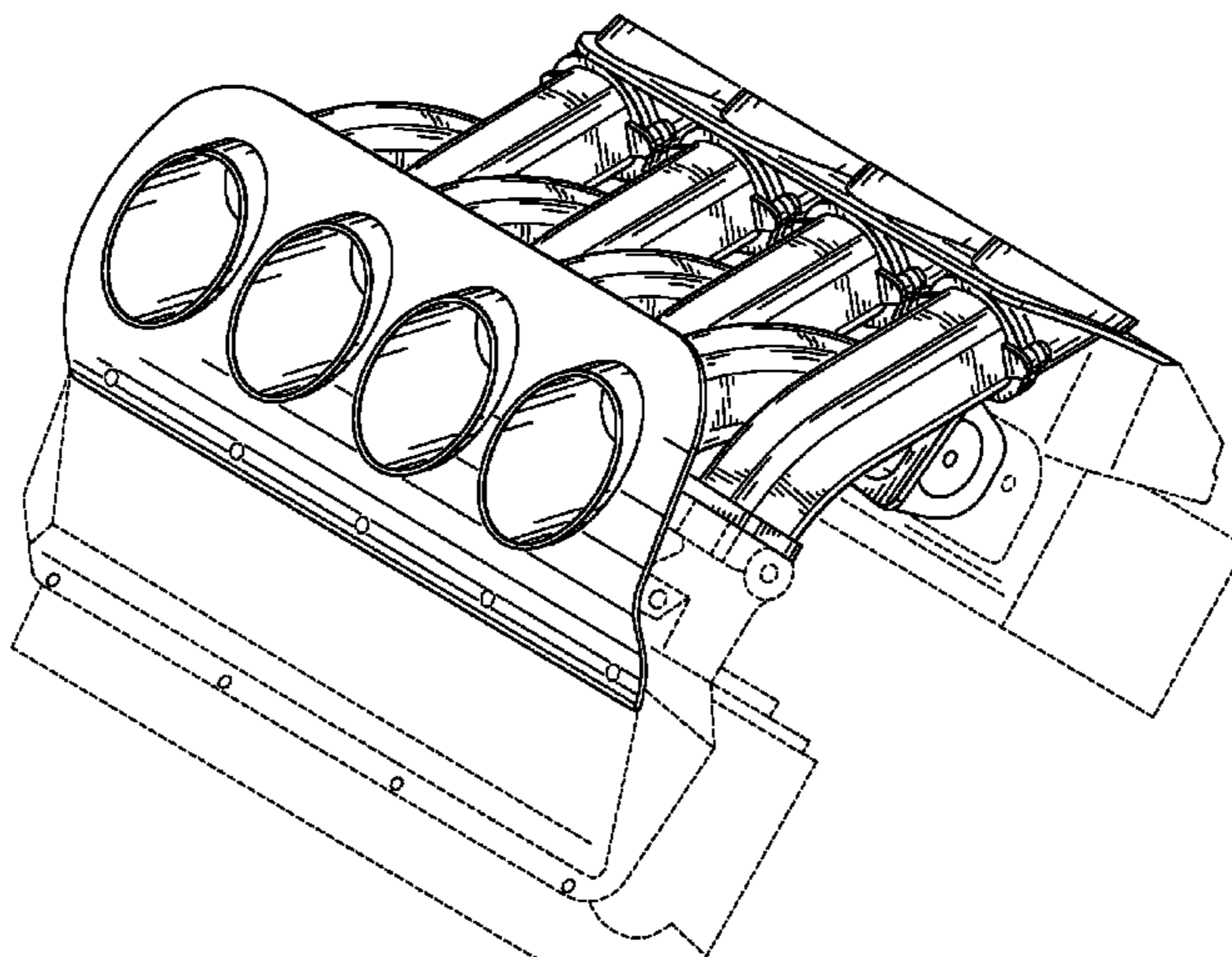
FIG. 4 is a side view thereof;

FIG. 5 is a rear view thereof; and,

FIG. 6 is a bottom perspective view thereof.

The broken lines within the bounds of the air intake assembly
represent unclaimed portions of the design, while the other
broken lines represent environmental structure that form no
part of the claimed design.

1 Claim, 4 Drawing Sheets



U.S. PATENT DOCUMENTS

5,048,471 A 9/1991 Takli et al.
 5,064,274 A 11/1991 Alten
 5,066,062 A 11/1991 Sekulovski
 5,121,818 A 6/1992 McComic
 5,133,750 A 7/1992 Momose et al.
 5,149,915 A 9/1992 Brunker et al.
 5,156,198 A 10/1992 Hall
 5,304,739 A 4/1994 Klug et al.
 5,322,340 A 6/1994 Sato et al.
 5,431,485 A 7/1995 Hayashi
 5,517,173 A 5/1996 Cha et al.
 5,557,698 A 9/1996 Gareis et al.
 5,613,012 A 3/1997 Hoffman et al.
 5,615,277 A 3/1997 Hoffman
 5,635,903 A 6/1997 Koike et al.
 5,637,933 A 6/1997 Rawlings et al.
 5,738,369 A 4/1998 Durrani
 5,745,027 A 4/1998 Malville
 5,770,797 A 6/1998 Lapohn
 5,794,733 A 8/1998 Stosel et al.
 5,802,922 A 9/1998 Kawai et al.
 5,808,374 A 9/1998 Miller et al.
 5,853,857 A 12/1998 Mahmood et al.
 5,870,723 A 2/1999 Pare, Jr. et al.
 5,910,988 A 6/1999 Ballard
 5,934,744 A 8/1999 Jergens et al.
 D416,525 S 11/1999 Sacco et al.
 5,988,238 A 11/1999 Palvolgyi
 6,032,137 A 2/2000 Ballard
 6,092,898 A 7/2000 De Juan, Jr.
 6,116,700 A 9/2000 Herrera
 6,182,807 B1 2/2001 Saito et al.
 6,198,244 B1 3/2001 Hayden et al.
 D440,918 S 4/2001 Pfeiffer
 6,234,555 B1 5/2001 Emmerich et al.
 6,253,131 B1 6/2001 Quigley et al.
 6,253,716 B1 7/2001 Palmer et al.
 6,263,447 B1 7/2001 French et al.
 6,269,348 B1 7/2001 Pare, Jr. et al.
 6,282,658 B2 8/2001 French et al.
 6,321,339 B1 11/2001 French et al.
 6,357,563 B1 3/2002 Hayford et al.
 6,366,682 B1 4/2002 Hoffman et al.
 6,397,198 B1 5/2002 Hoffman et al.
 6,411,728 B1 6/2002 Lee et al.
 6,479,973 B2 11/2002 Saito et al.
 D481,337 S 10/2003 Hartono et al.
 6,679,215 B2 * 1/2004 Benson et al. 123/184.34
 6,693,523 B1 2/2004 Abel et al.
 6,718,842 B1 4/2004 Bofias
 D492,629 S 7/2004 Hartono et al.
 6,780,047 B1 8/2004 Laity
 6,782,862 B2 * 8/2004 Homi 123/184.47
 6,843,115 B2 1/2005 Rutherford
 7,004,787 B2 2/2006 Milan
 7,055,883 B2 6/2006 Tokutomi et al.
 7,059,289 B2 * 6/2006 Cunningham et al. ... 123/184.47
 7,068,158 B2 6/2006 Komatsu et al.
 7,146,129 B2 12/2006 Bostrom et al.
 7,165,871 B2 1/2007 Takeda et al.
 D537,393 S 2/2007 Chanteloup
 7,206,672 B2 4/2007 Mueller
 7,257,397 B2 8/2007 Shamoon et al.
 D551,604 S 9/2007 Kapffenstein
 7,266,435 B2 9/2007 Wang et al.
 D551,971 S 10/2007 Hardwick
 D559,159 S 1/2008 Kazyaka
 D562,738 S 2/2008 Young
 7,375,285 B2 5/2008 Chiang
 D571,268 S 6/2008 Hoffman
 D574,661 S 8/2008 Logan
 D575,581 S 8/2008 Harris
 D580,457 S * 11/2008 Bender D15/5
 D581,843 S 12/2008 Kluck
 7,483,952 B2 1/2009 Light et al.
 2002/0073507 A1 6/2002 Presley
 2002/0082750 A1 6/2002 Lamke et al.
 2003/0011546 A1 1/2003 Obata et al.

2003/0225693 A1 12/2003 Ballard et al.
 2004/0043753 A1 3/2004 Wake et al.
 2004/0129197 A1 7/2004 Nakagawa et al.
 2004/0155789 A1 8/2004 Crews
 2004/0158723 A1 8/2004 Root
 2005/0021190 A1 1/2005 Worrell et al.
 2005/0140129 A1 6/2005 Miki et al.
 2005/0141225 A1 6/2005 Striebel
 2005/0168071 A1 8/2005 Durbin et al.
 2005/0257613 A1 11/2005 Spencer et al.
 2005/0264268 A1 12/2005 Ueno
 2006/0053281 A1 3/2006 Andersson
 2006/0097577 A1 5/2006 Kato et al.
 2006/0097852 A1 5/2006 Lammers et al.
 2006/0162485 A1 7/2006 Leng et al.
 2006/0266273 A1 11/2006 Westberg et al.
 2007/0001830 A1 1/2007 Dagci et al.
 2007/0024117 A1 2/2007 Boenker, IV et al.
 2007/0030137 A1 2/2007 Masters et al.
 2007/0077058 A1 4/2007 Kontani
 2007/0137367 A1 6/2007 Papa et al.
 2008/0002420 A1 1/2008 Lambert et al.
 2008/0007961 A1 1/2008 Mochizuki et al.
 2008/0031004 A1 2/2008 Chu
 2008/0034209 A1 2/2008 Dickinson et al.
 2008/0157593 A1 7/2008 Bax et al.
 2008/0222844 A1 9/2008 Broadhead et al.
 2009/0011639 A1 1/2009 Ballard et al.
 2009/0016216 A1 1/2009 Ballard et al.
 2009/0223318 A1 9/2009 Ballard
 2009/0223437 A1 9/2009 Ballard
 2009/0223438 A1 9/2009 Ballard
 2009/0223757 A1 9/2009 Ballard
 2009/0223789 A1 9/2009 Ballard
 2009/0224895 A1 9/2009 Ballard
 2009/0267405 A1 10/2009 Ballard
 2009/0271949 A1 11/2009 Sprague et al.
 2009/0272313 A1 11/2009 Ballard et al.
 2009/0272589 A1 11/2009 Ballard
 2009/0273170 A1 11/2009 Ballard et al.
 2009/0273208 A1 11/2009 Ballard et al.
 2009/0273282 A1 11/2009 Ballard et al.
 2009/0273942 A1 11/2009 Ballard et al.
 2009/0274416 A1 11/2009 Ballard
 2009/0277707 A1 11/2009 Ballard
 2009/0289062 A1 11/2009 Ballard
 2009/0289757 A1 11/2009 Ballard

FOREIGN PATENT DOCUMENTS

DE 10311396 A1 9/2004
 DE 102004053238 A1 5/2006
 EP 0507225 A 10/1992
 EP 1429348 A 6/2004
 EP 1493630 1/2005
 GB 462033 A 3/1937
 GB 2203483 A 10/1988
 JP 5-169981 A 7/1993

OTHER PUBLICATIONS

PCT: International Search Report and Written Opinion of PCT/US2009/059073 (related application); Jan. 22, 2010; 7 pgs.
 PCT: International Search Report and Written Opinion of PCT/US2009/045063 (related application); Aug. 12, 2009; 7 pgs.
 PCT: International Search Report and Written Opinion of PCT/US2009/043649 (related application); Aug. 10, 2009; 8 pgs.
 PCT: International Search Report and Written Opinion of PCT/US2009/036322 (related application); Jun. 11, 2009; 8 pgs.
 PCT: International Search Report and Written Opinion of PCT/US2009/036234 (related application); Dec. 21, 2009; 6 pgs.
 PCT: International Search Report and Written Opinion of PCT/US2009/036190 (related application); Jul. 15, 2009; 8 pgs.
 PCT: International Search Report and Written Opinion of PCT/US2009/036078 (related application); Apr. 15, 2009; 7 pgs.
 PCT: International Search Report and Written Opinion of PCT/US2009/036073 (related application); May 16, 2009; 8 pgs.
 PCT: International Search Report and Written Opinion of PCT/US2009/036001 (related application); Apr. 14, 2009; 12 pgs.

PCT: International Search Report and Written Opinion of PCT/US2009/035850 (related application); Apr. 15, 2009; 9 pgs.
PCT: International Search Report and Written Opinion of PCT/US2009/035844 (related application); Apr. 23, 2009; 7 pgs.
PCT: International Search Report and Written Opinion of PCT/US2009/035715 (related application); Apr. 29, 2009; 8 pgs.
PCT: International Search Report and Written Opinion of PCT/US2009/035626 (related application); Jun. 3, 2009; 7 pgs.
PCT: International Search Report and Written Opinion of PCT/US2009/035625 (related application); May 25, 2009; 9 pgs.
PCT: International Search Report and Written Opinion of PCT/US2009/035615 (related application); Jul. 14, 2009; 7 pgs.
PCT: International Search Report and Written Opinion of PCT/US2009/035614 (related application); Aug. 21, 2009; 10 pgs.

PCT: International Preliminary Report on Patentability of PCT/IB2008/002056 (related application); Dec. 7, 2009.
PCT: International Preliminary Report on Patentability of PCT/IB2008/002060 (related application); Dec. 7, 2009.
PCT: International Search Report and Written Opinion of PCT/IB2008/002056 (related application); Jan. 7, 2009; 9 pgs.
PCT: International Search Report and Written Opinion of PCT/IB2008/002060 (related application); Feb. 16, 2009; 12 pgs.
Vanderwerp, Dave, "2011 Dodge Circuit EV—First Drive Review." Jun. 2009; pp. 1-4; available at http://www.caranddriver.com/reviews/car/09q2/2011_dodge_circuit_ev-first_drive_review.

* cited by examiner

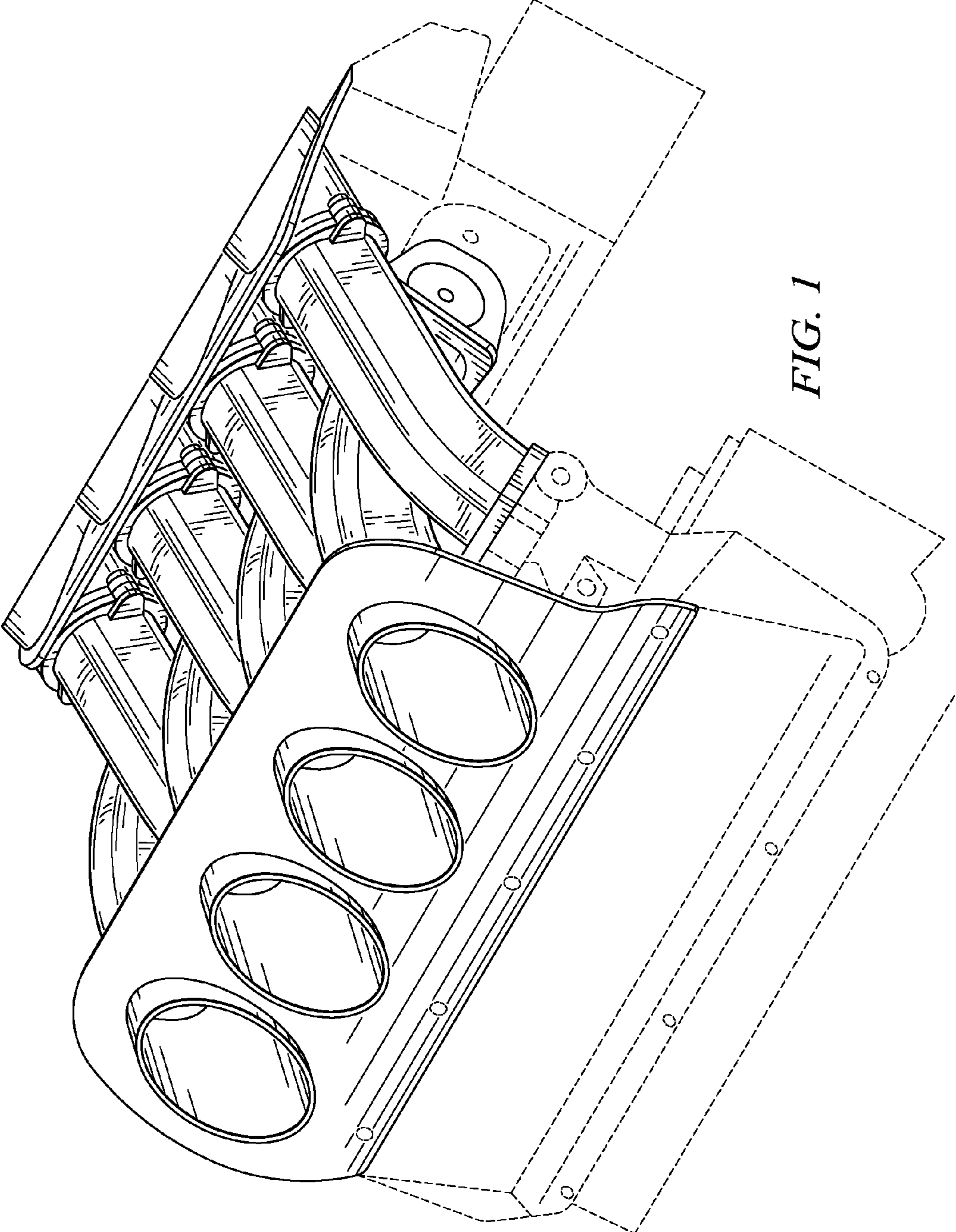


FIG. 1

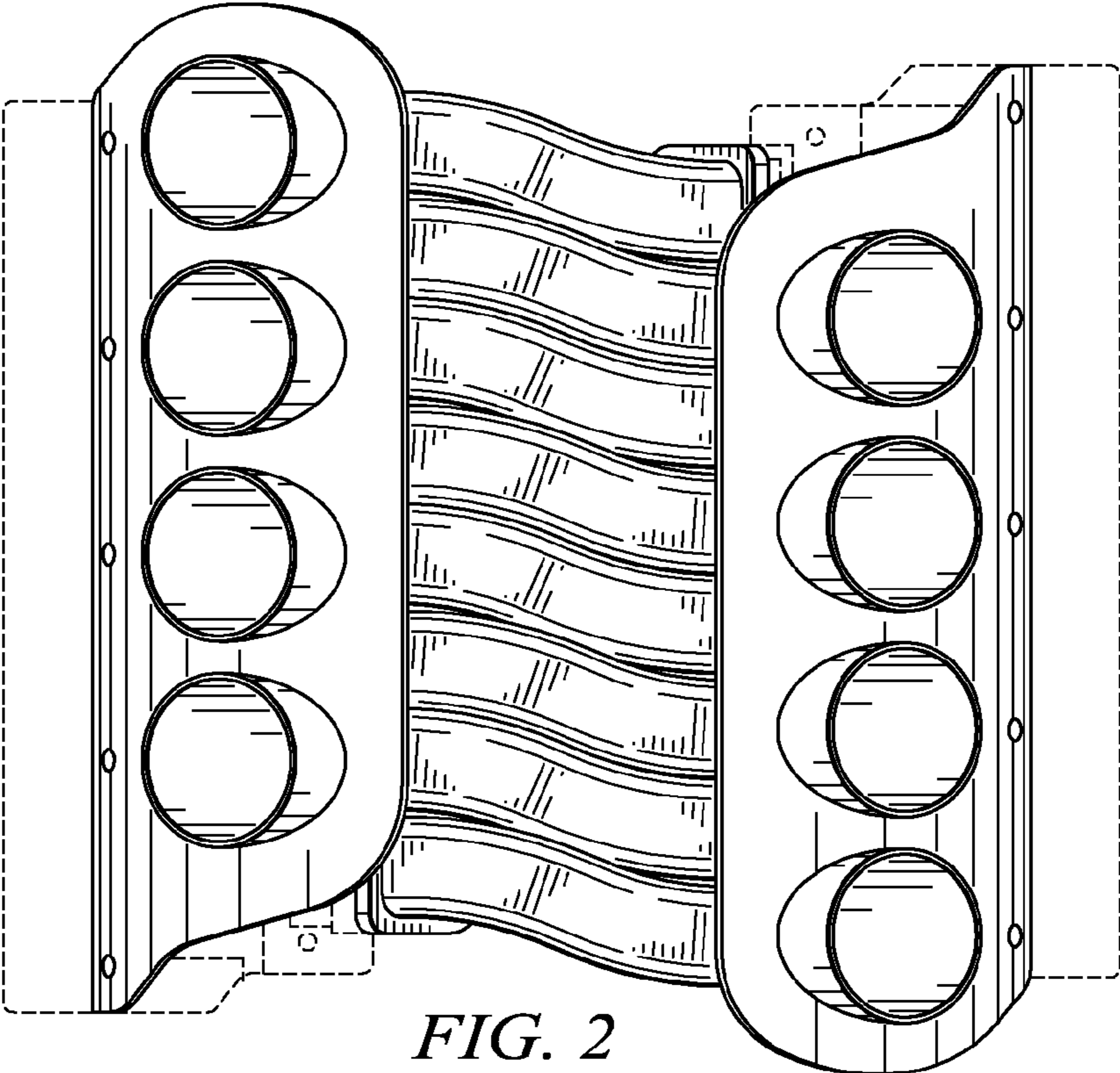


FIG. 2

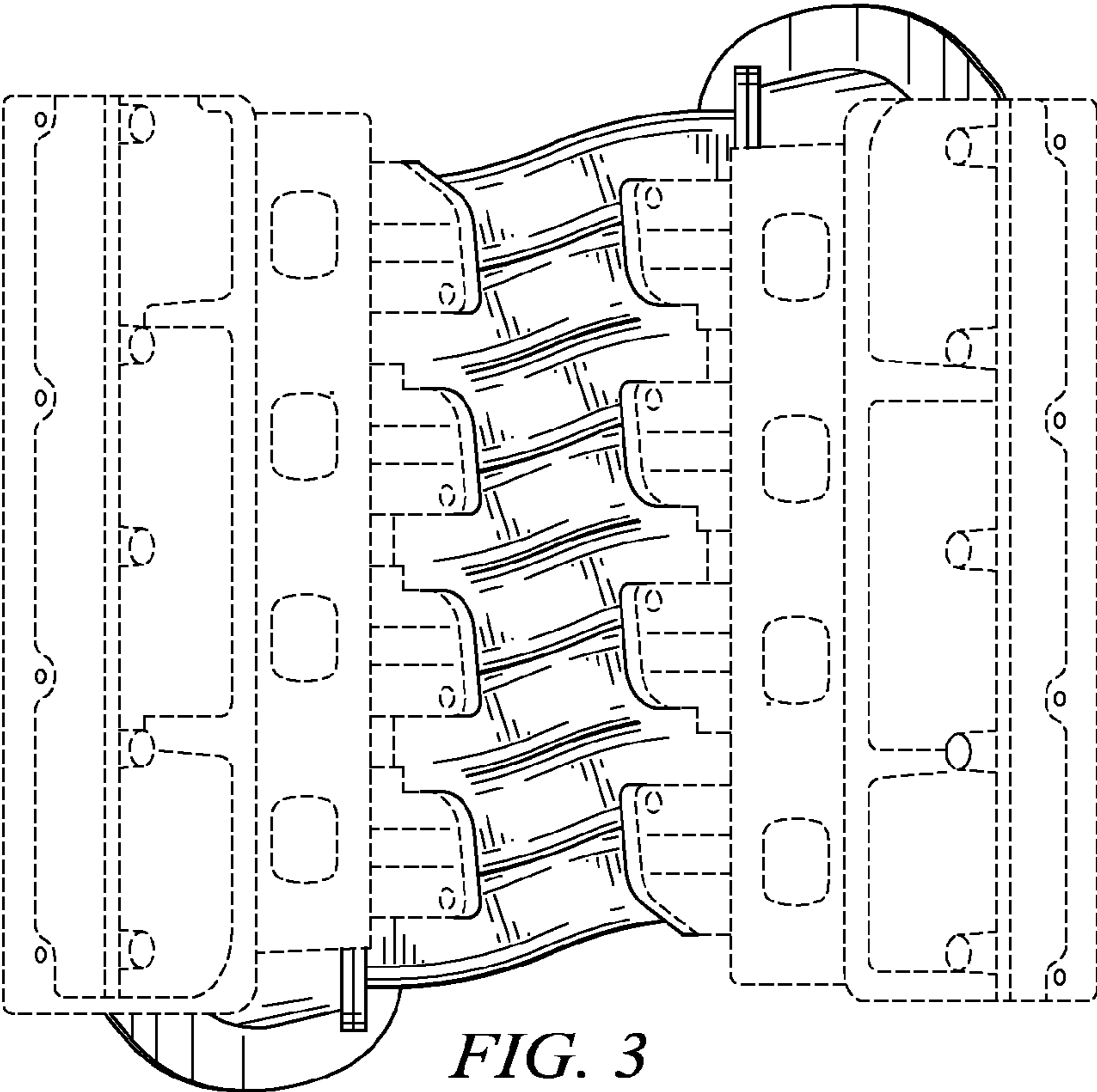


FIG. 3

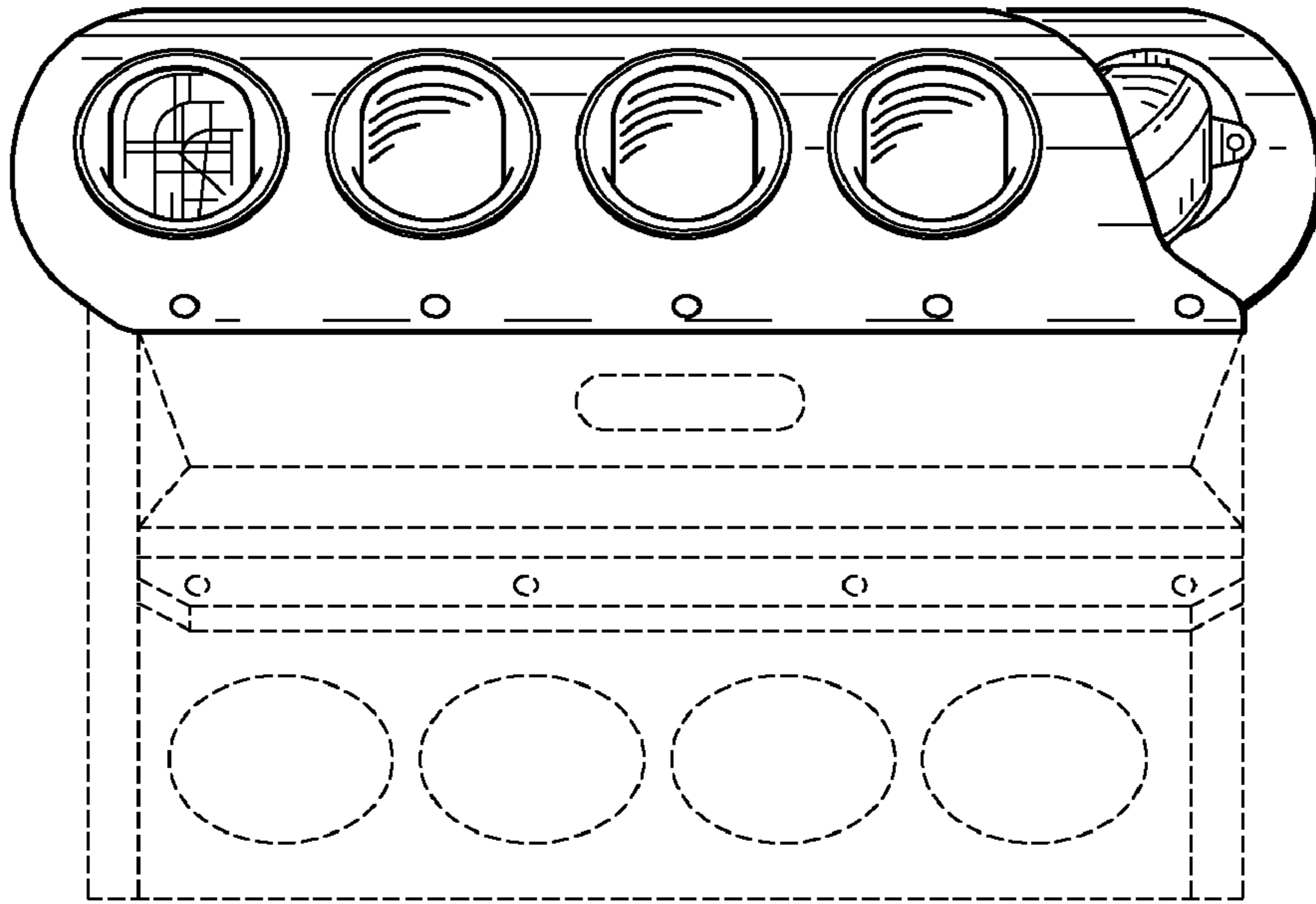


FIG. 4

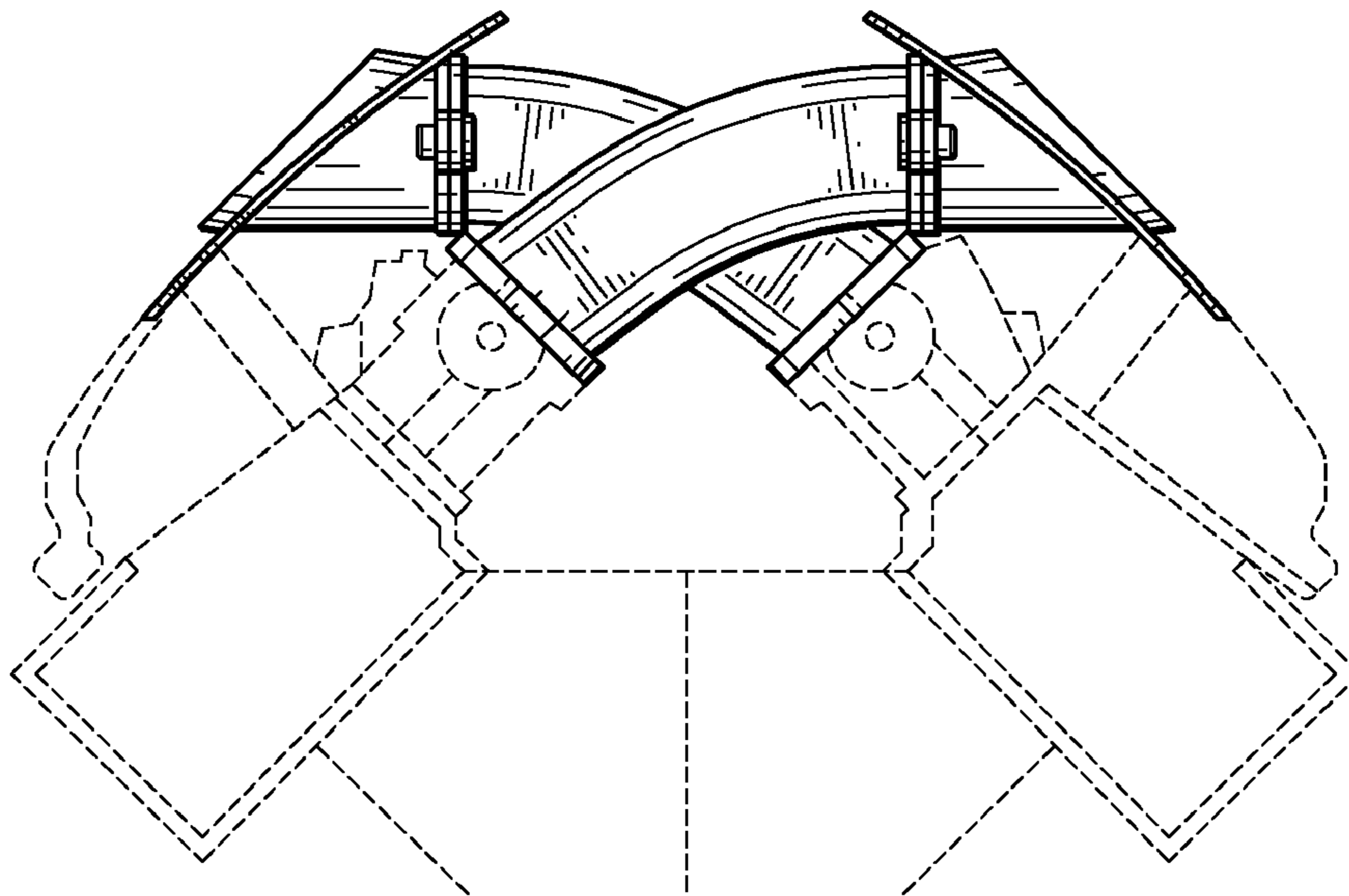


FIG. 5

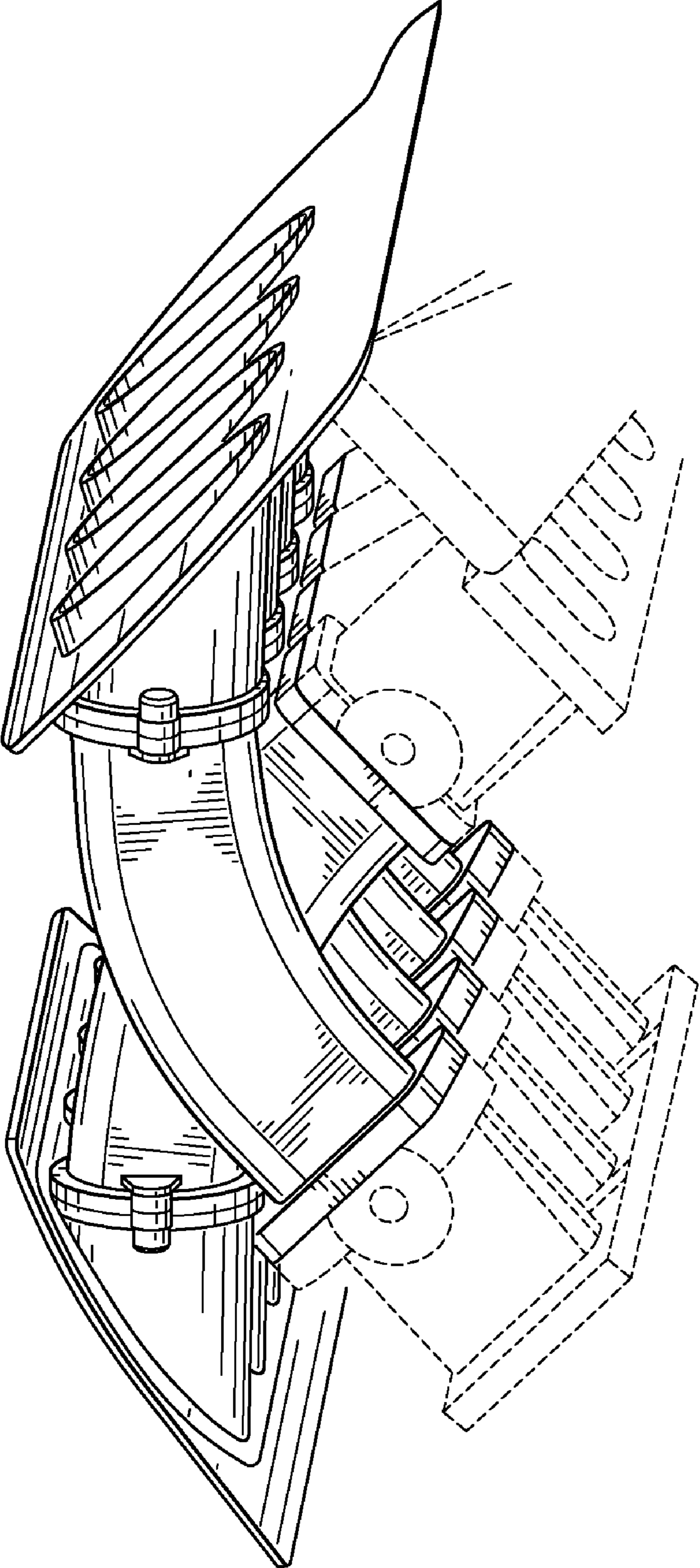


FIG. 6