



US00D638032S

(12) **United States Design Patent**
Yagi

(10) **Patent No.:** **US D638,032 S**

(45) **Date of Patent:** **** May 17, 2011**

(54) **BLU-RAY HOME THEATER**

(75) Inventor: **Hidekazu Yagi**, Osaka (JP)

(73) Assignee: **Funai Electric Co., Ltd.**, Osaka (JP)

(**) Term: **14 Years**

(21) Appl. No.: **29/353,191**

(22) Filed: **Jan. 5, 2010**

(51) **LOC (9) Cl.** **14-01**

(52) **U.S. Cl.** **D14/500**

(58) **Field of Classification Search** D14/496,
D14/498-511, 157, 167-168, 188, 197-198,
D14/257, 258; 360/99.02, 99.07; 369/75.11,
369/75.21, 77.11, 77.21; 720/601, 612, 619,
720/649, 655; 455/344, 347-351

See application file for complete search history.

(56) **References Cited**

U.S. PATENT DOCUMENTS

D410,919 S * 6/1999 Sato et al. D14/506
D510,076 S * 9/2005 Wu D14/505
D513,410 S * 1/2006 Moriya et al. D14/506

D567,204 S * 4/2008 Park D14/506

* cited by examiner

Primary Examiner — Nanda Bondade

(74) *Attorney, Agent, or Firm* — Sughrue Mion, PLLC

(57) **CLAIM**

The ornamental design for a blu-ray home theater, as shown and described.

DESCRIPTION

FIG. 1 is a perspective view of top, front and right side of a blu-ray home theater showing my new design;

FIG. 2 is a front view thereof;

FIG. 3 is a rear view thereof;

FIG. 4 is a left side view thereof;

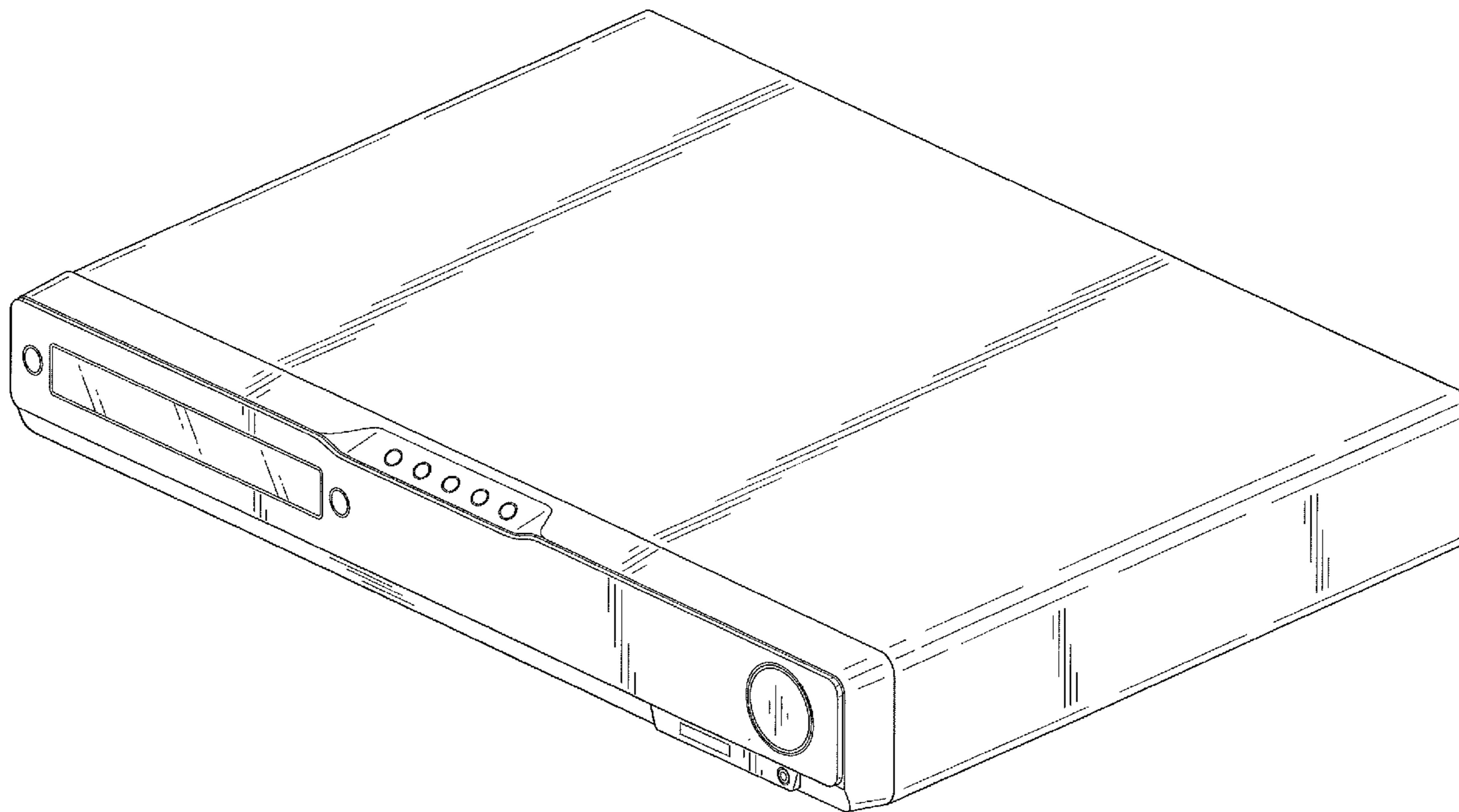
FIG. 5 is a right side view thereof;

FIG. 6 is a top plan view thereof; and,

FIG. 7 is a bottom view thereof.

The portions of the article in broken lines are shown for illustrative purposes only and form no part of the claimed design.

1 Claim, 5 Drawing Sheets



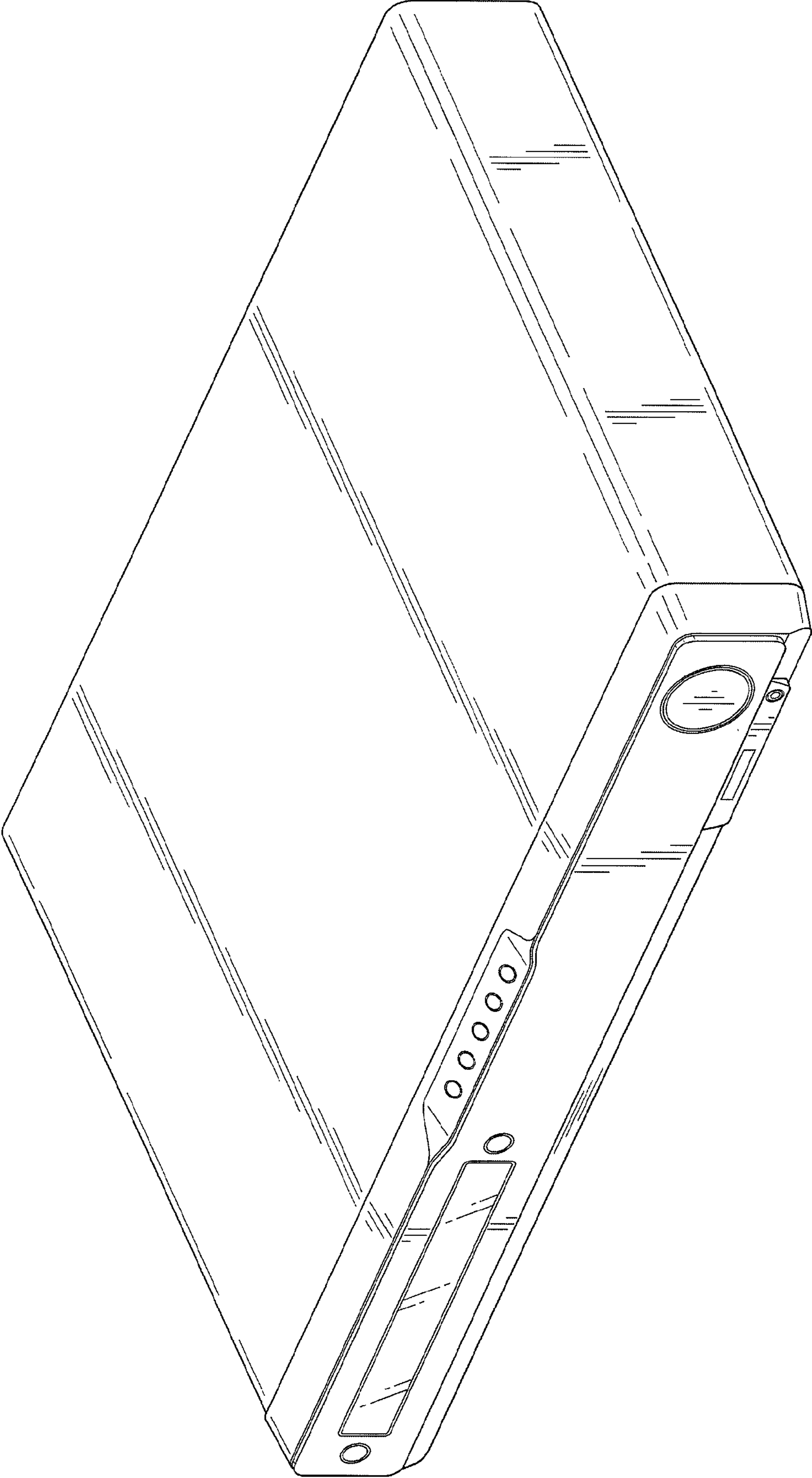


FIG. 1

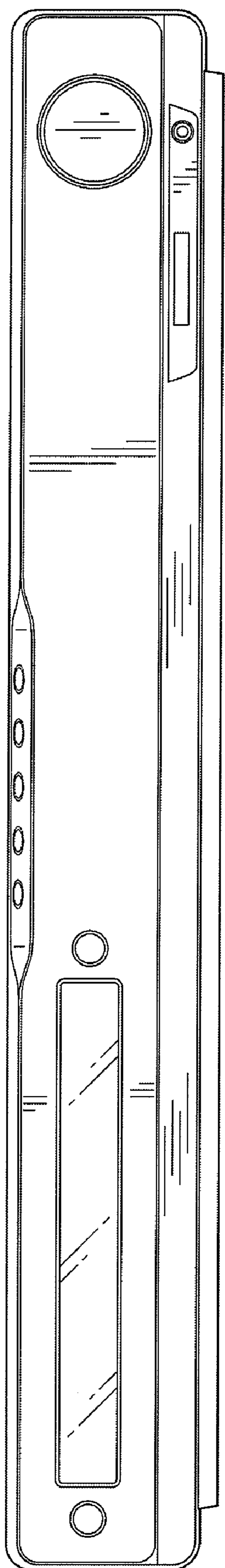


FIG. 2

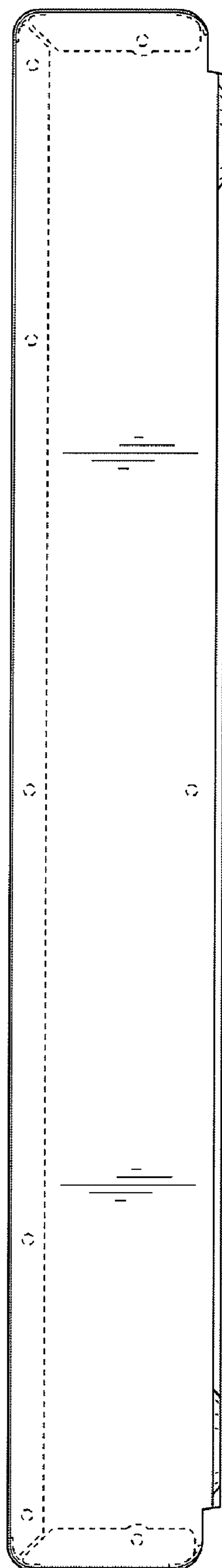


FIG. 3

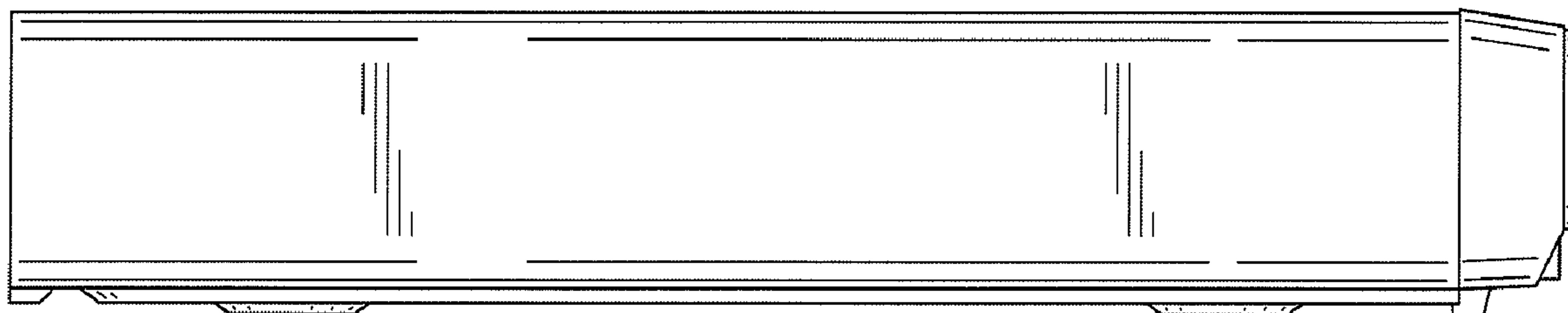


FIG. 4

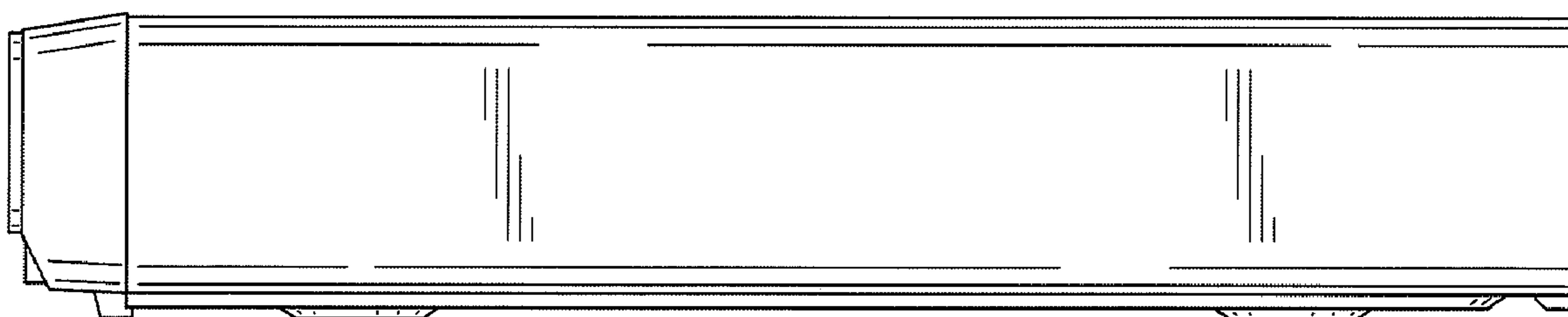


FIG. 5

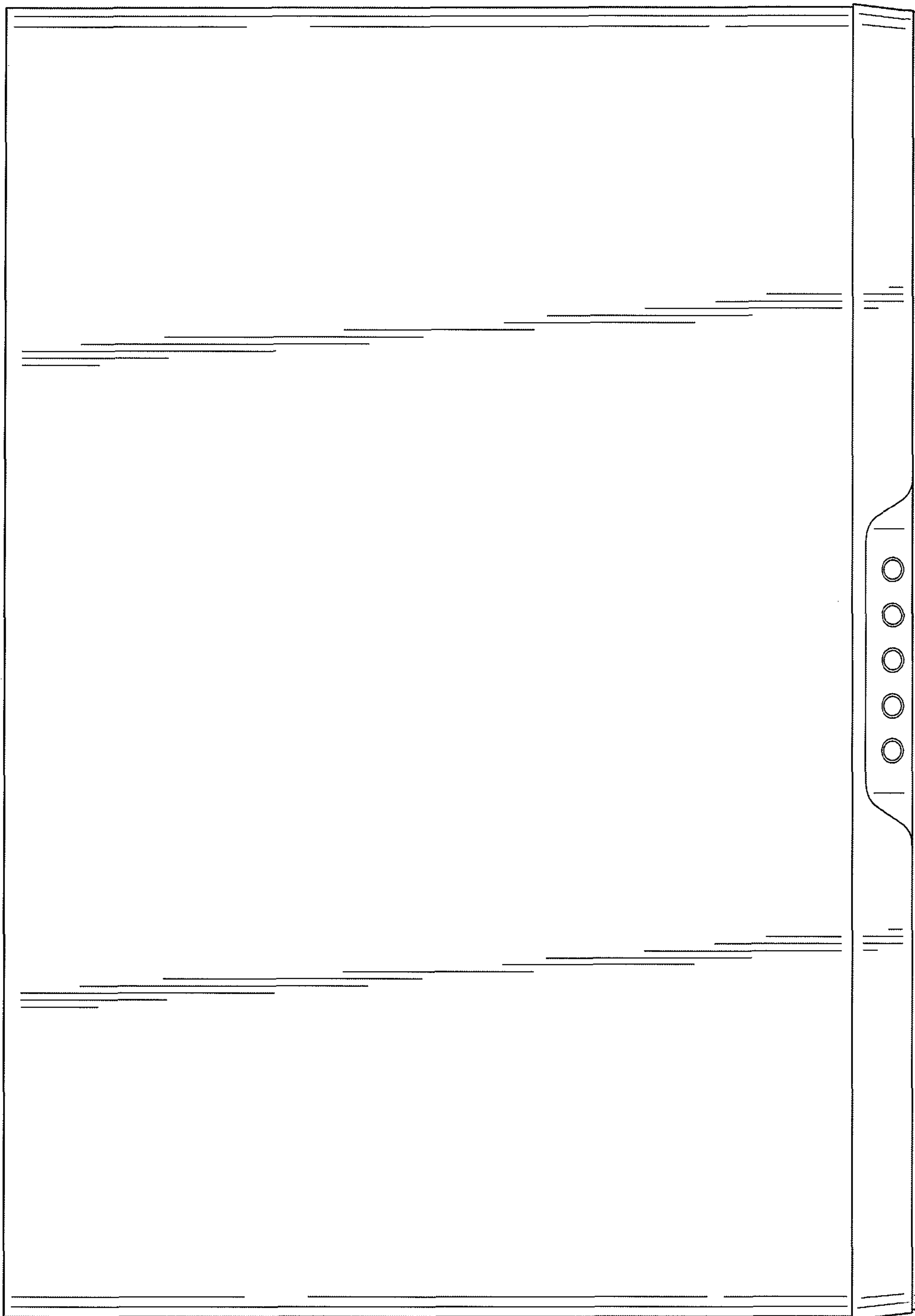


FIG. 6

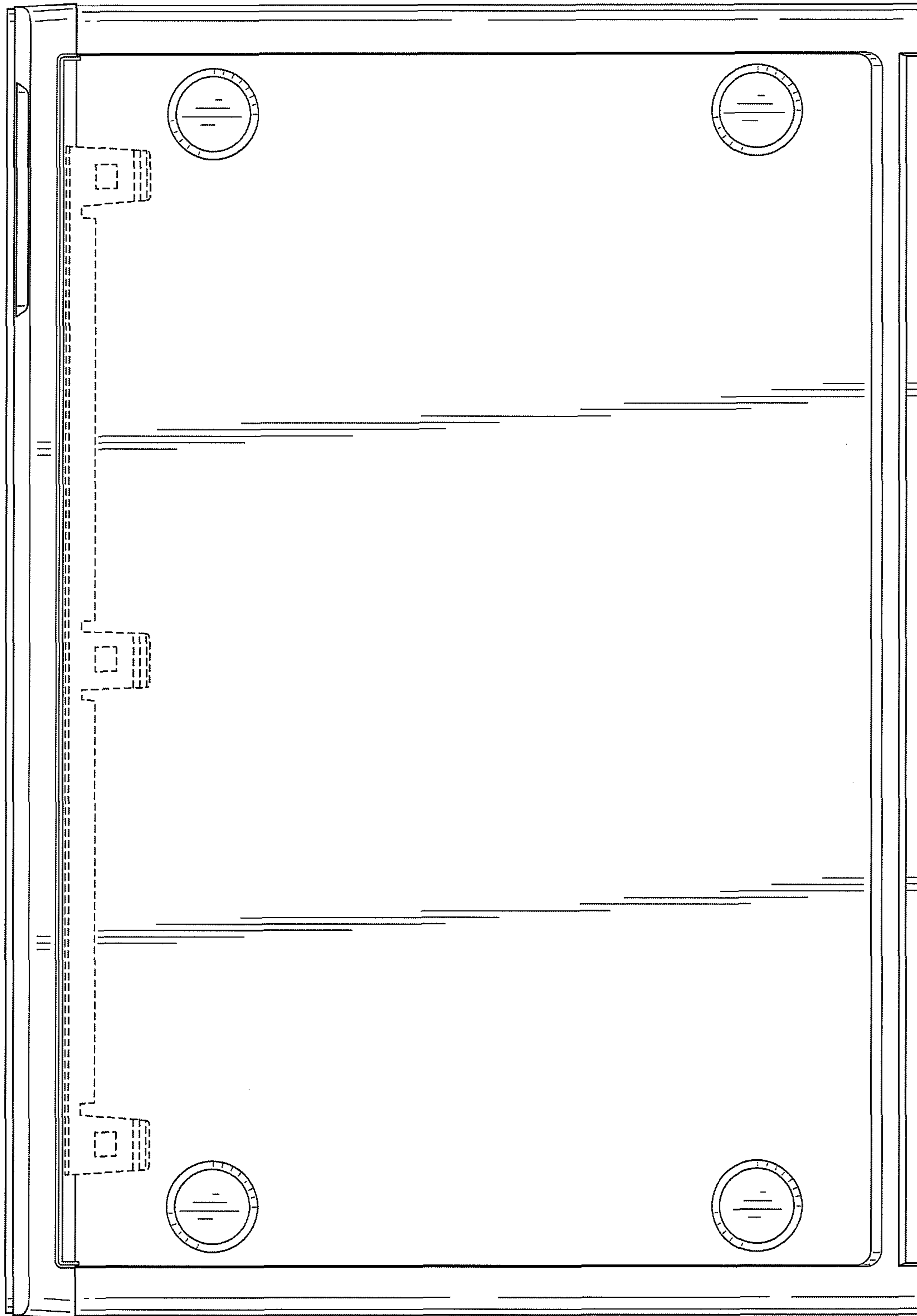


FIG. 7