



US00D638031S

(12) **United States Design Patent**
Lee et al.

(10) **Patent No.:** **US D638,031 S**
(45) **Date of Patent:** **** May 17, 2011**

(54) **MUSIC PLAYER SET**

(75) Inventors: **Joo-Yeon Lee**, Seoul (KR); **Jin-Hwan Oh**, Seoul (KR); **Seung-Ju Yuk**, Seoul (KR); **Hyun-Soo Kim**, Gwangmyeong-si (KR)

(73) Assignee: **Samsung Electronics Co., Ltd.** (KR)

(**) Term: **14 Years**

(21) Appl. No.: **29/376,780**

(22) Filed: **Oct. 12, 2010**

(30) **Foreign Application Priority Data**

Jul. 13, 2010 (KR) 30-2010-0030665

(51) **LOC (9) Cl.** **14-03**

(52) **U.S. Cl.** **D14/496; D14/203.3**

(58) **Field of Classification Search** D14/496,
D14/401, 435, 474, 483, 217, 137, 138, 160,
D14/168, 356, 203.1-203.8, 507; 345/156,
345/169, 173-179, 905; 715/727-729, 864;
710/1, 5, 8; 713/1, 600; 455/1.1, 1.7, 73,
455/344-347, 93, 95, 3.01-3.06, 550.1, 573.1;
370/342-344; 369/1, 2, 6-12; 463/43-47;
273/148 B

See application file for complete search history.

(56) **References Cited**

U.S. PATENT DOCUMENTS

D563,434 S * 3/2008 Dai D14/496
7,395,090 B2 * 7/2008 Alden 455/557

D574,365 S * 8/2008 Andre et al. D14/217
D595,733 S * 7/2009 Harper et al. D14/496
D602,499 S * 10/2009 Lewis D14/496
D604,744 S * 11/2009 Tseng et al. D14/496
7,647,129 B1 * 1/2010 Griffin, Jr. 700/94
7,689,197 B2 * 3/2010 Laude et al. 455/344
D616,416 S * 5/2010 Lin D14/189
7,742,293 B2 * 6/2010 Strauser 361/679.41
D625,737 S * 10/2010 van Alphen et al. D14/496
7,831,757 B2 * 11/2010 Habuto et al. 710/303
7,845,041 B2 * 12/2010 Gatzemeyer et al. 15/105

* cited by examiner

Primary Examiner — Prabhakar Deshmukh

(74) *Attorney, Agent, or Firm* — Cantor Colburn LLP

(57) **CLAIM**

We claim, the ornamental design for a music player set, as shown and described.

DESCRIPTION

FIG. 1 is a perspective view of music player set, showing our new design;

FIG. 2 is a front elevational view thereof;

FIG. 3 is a rear elevational view thereof;

FIG. 4 is a left side elevational view thereof;

FIG. 5 is a right side elevational view thereof;

FIG. 6 is a top plan view thereof;

FIG. 7 is a bottom plan view thereof;

FIG. 8 is an exploded perspective view of the music player set of FIG. 1; and,

FIG. 9 is a left side elevational view of the music player set of FIG. 1, in an alternate position.

1 Claim, 6 Drawing Sheets

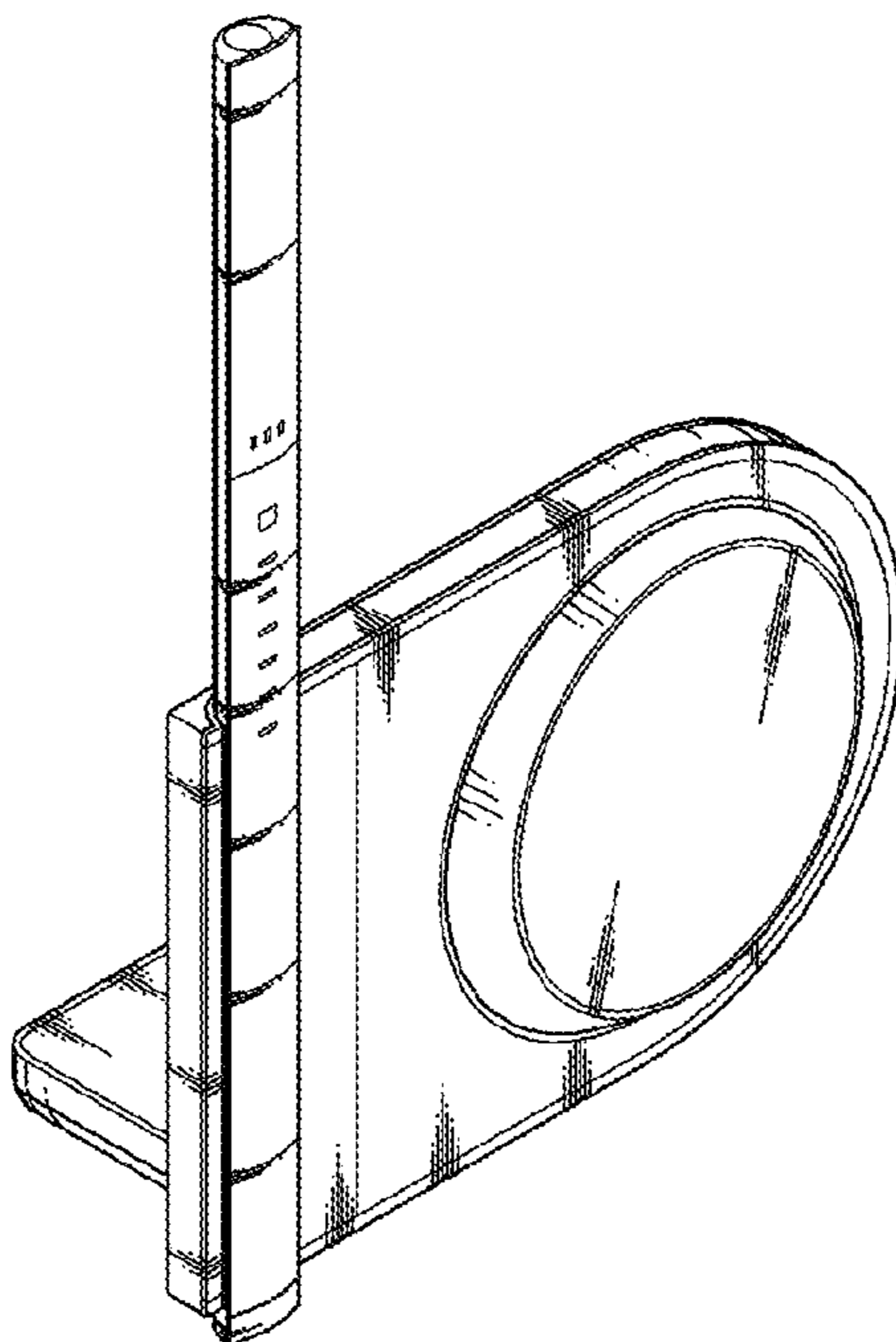


FIG. 1

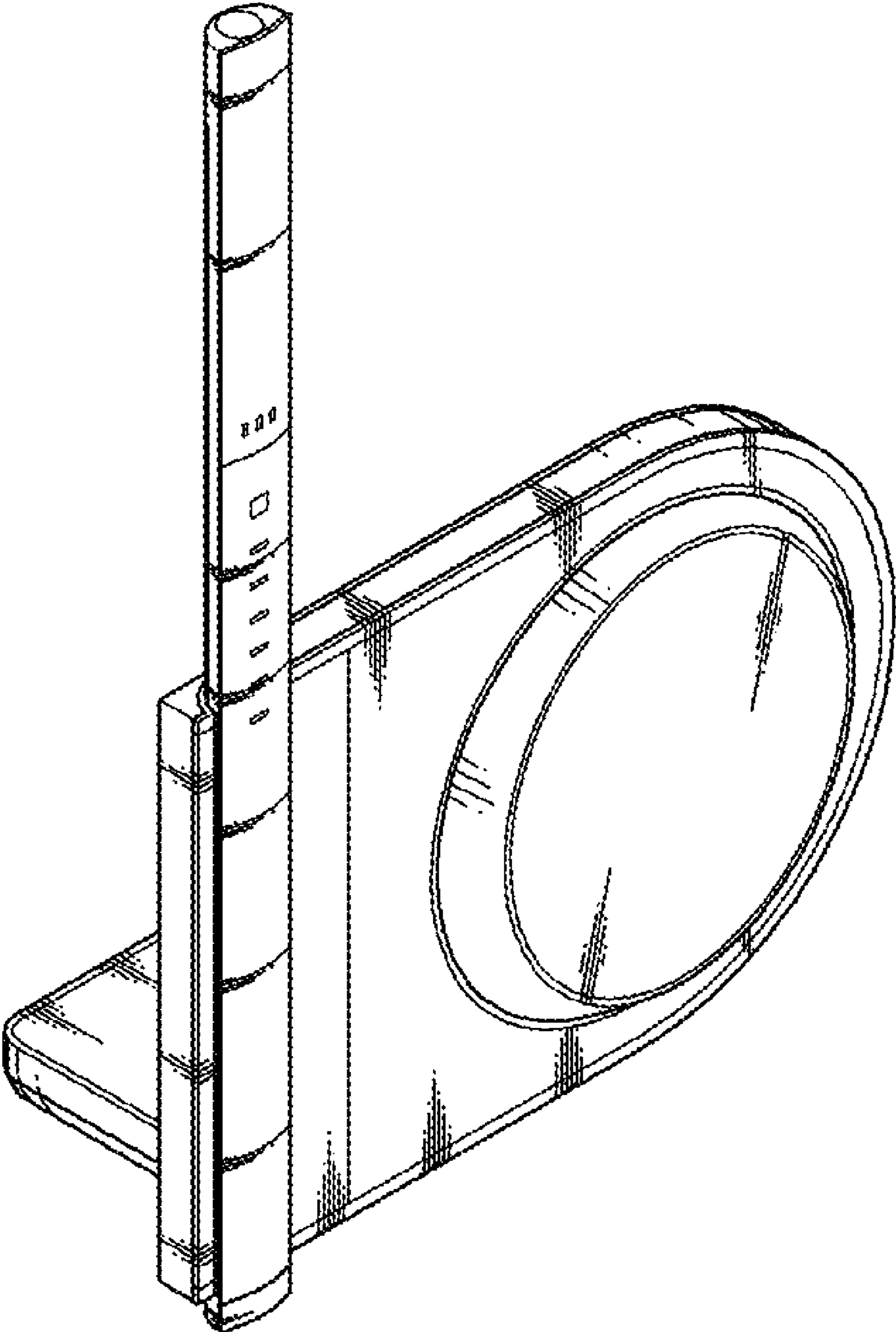


FIG. 2

FIG. 3

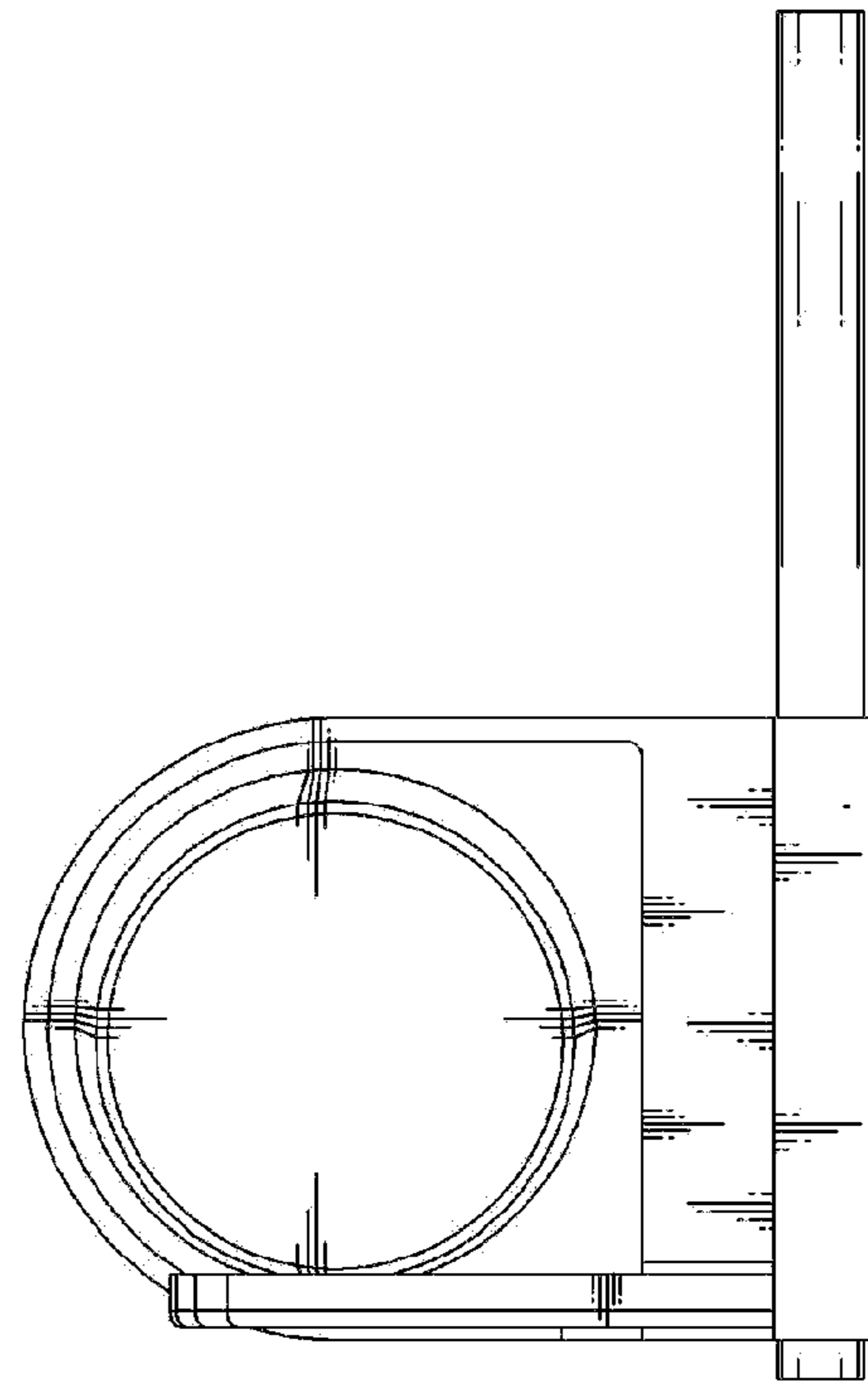
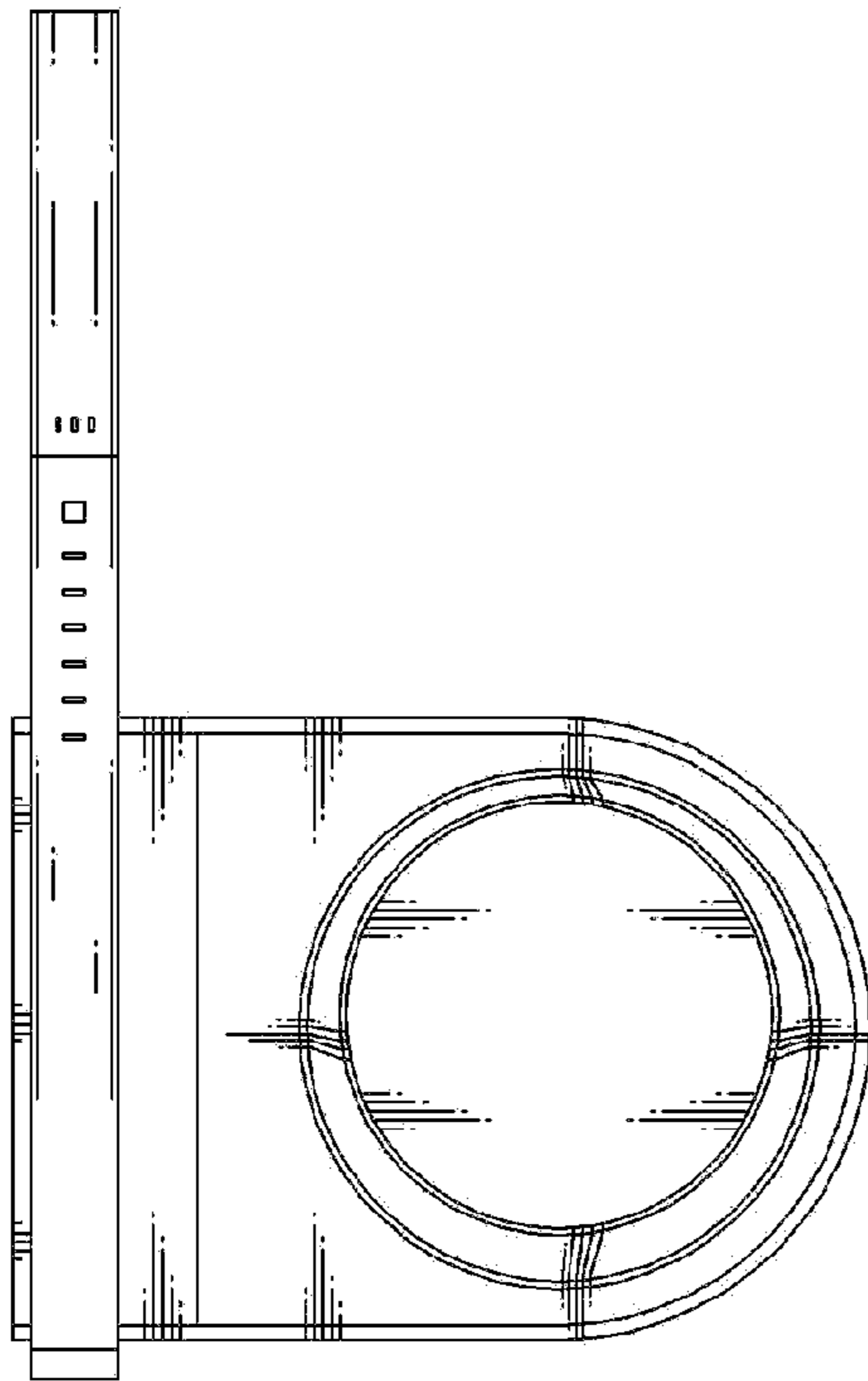


FIG. 4

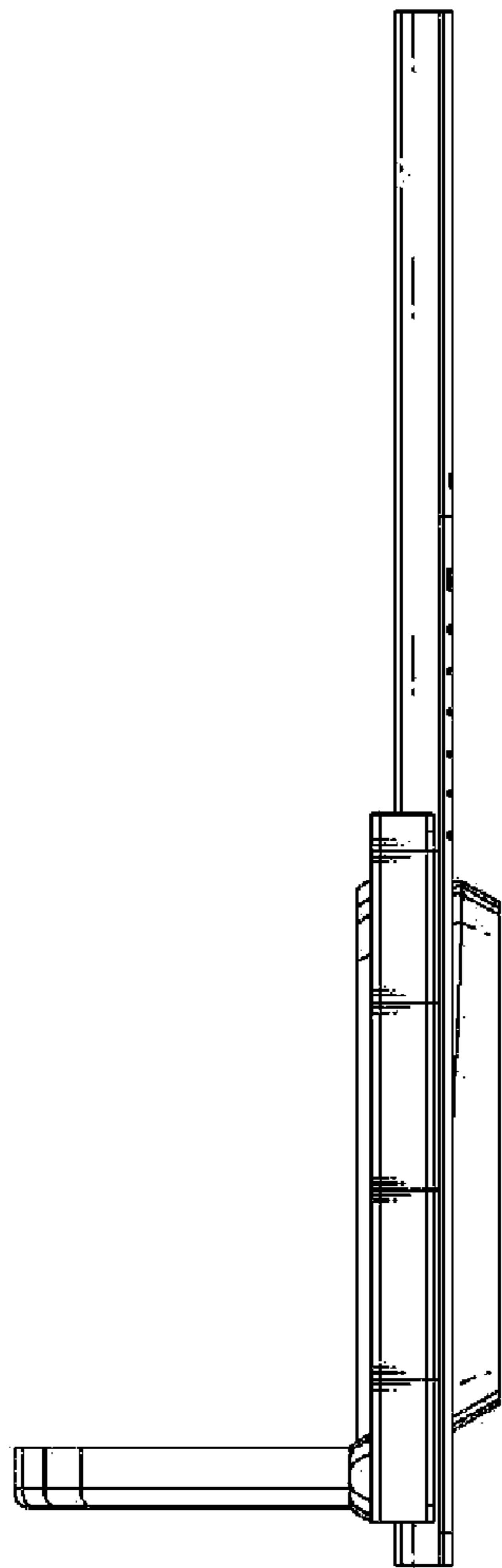


FIG. 5

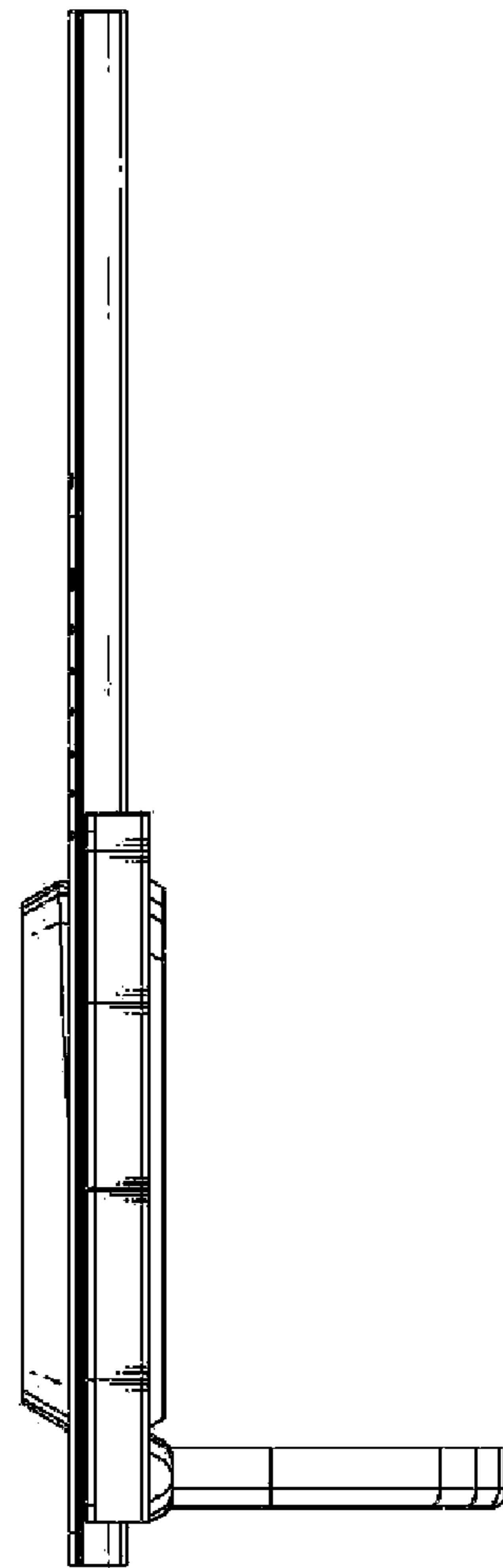


FIG. 6

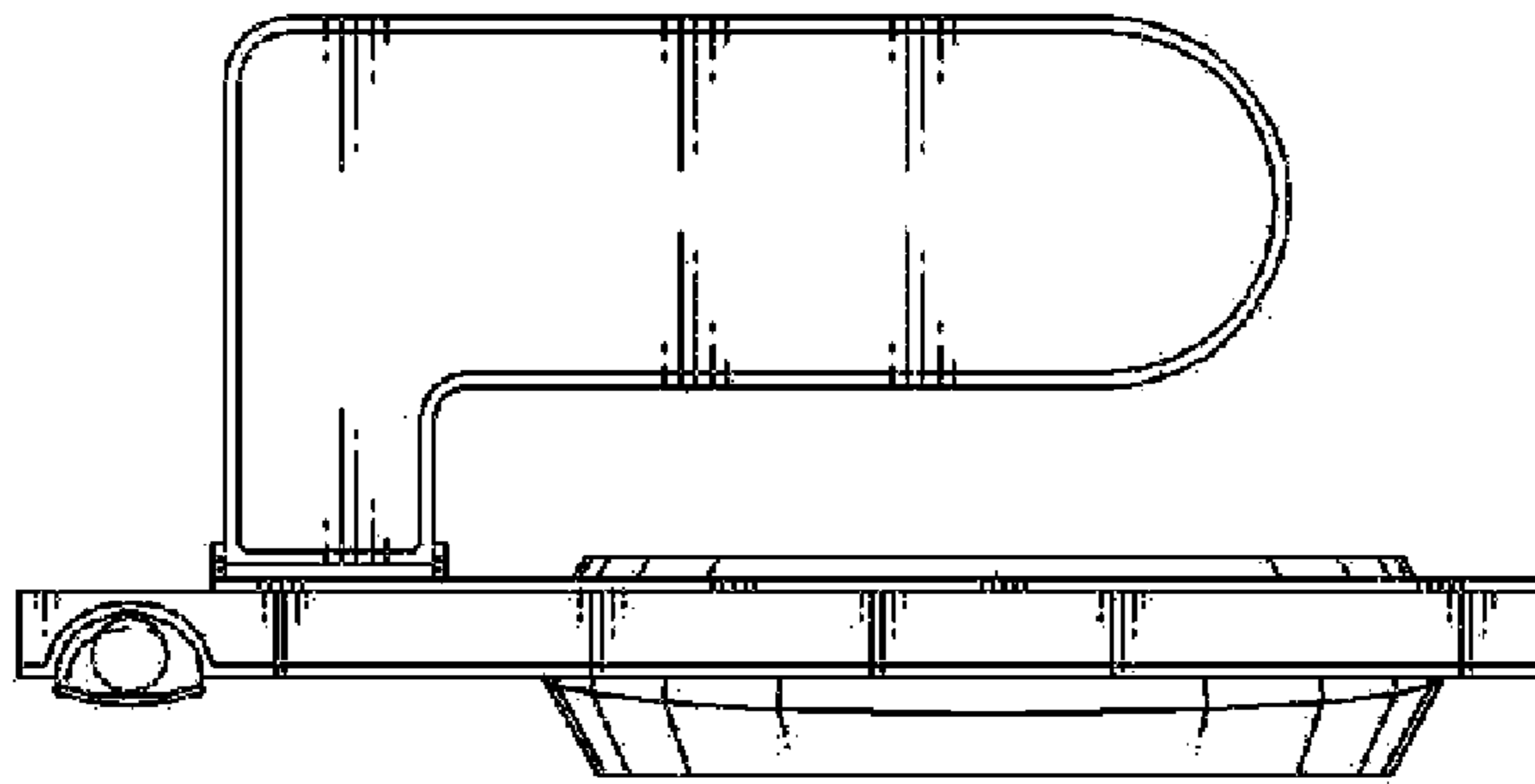


FIG. 7

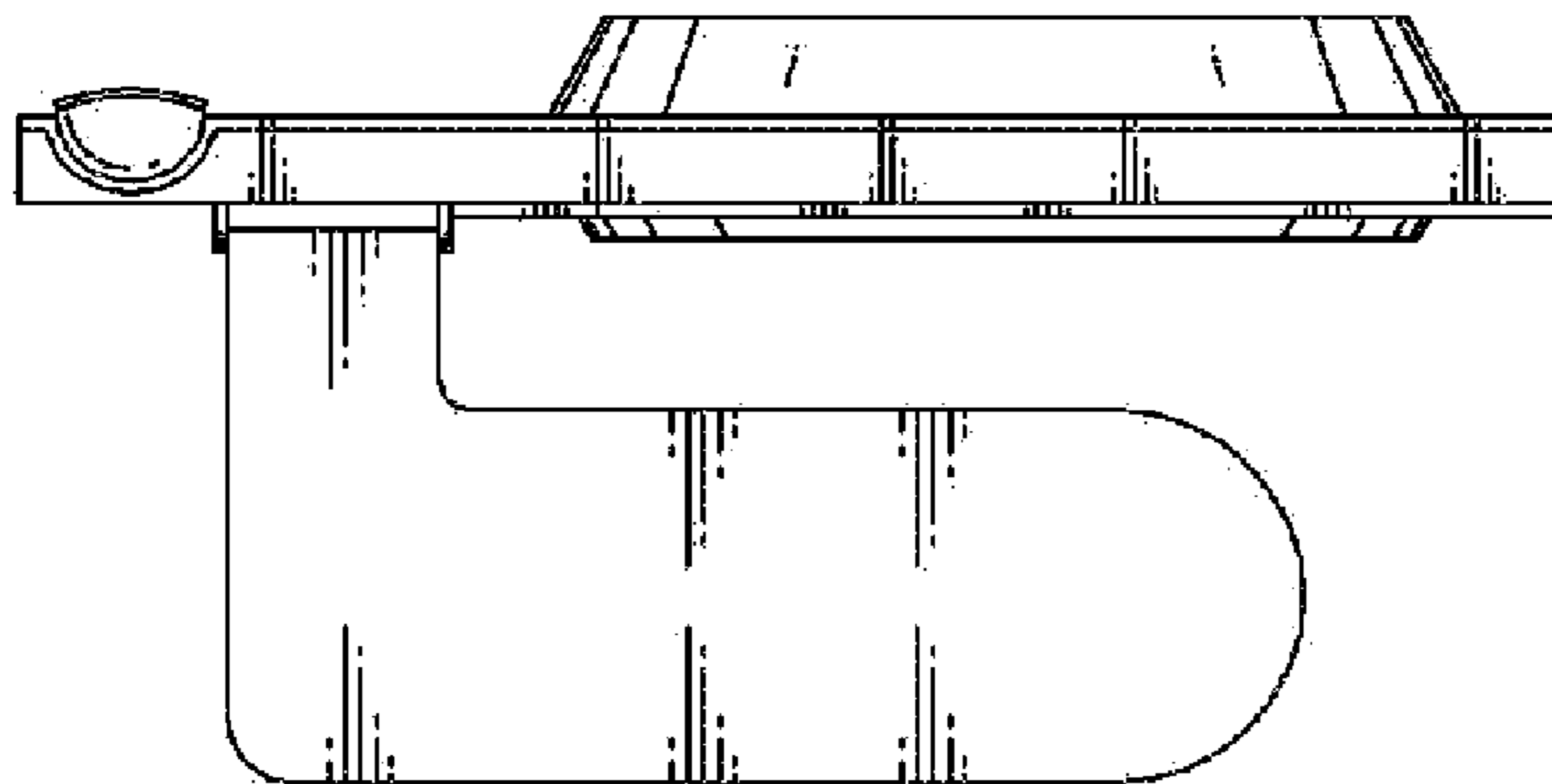


FIG. 8

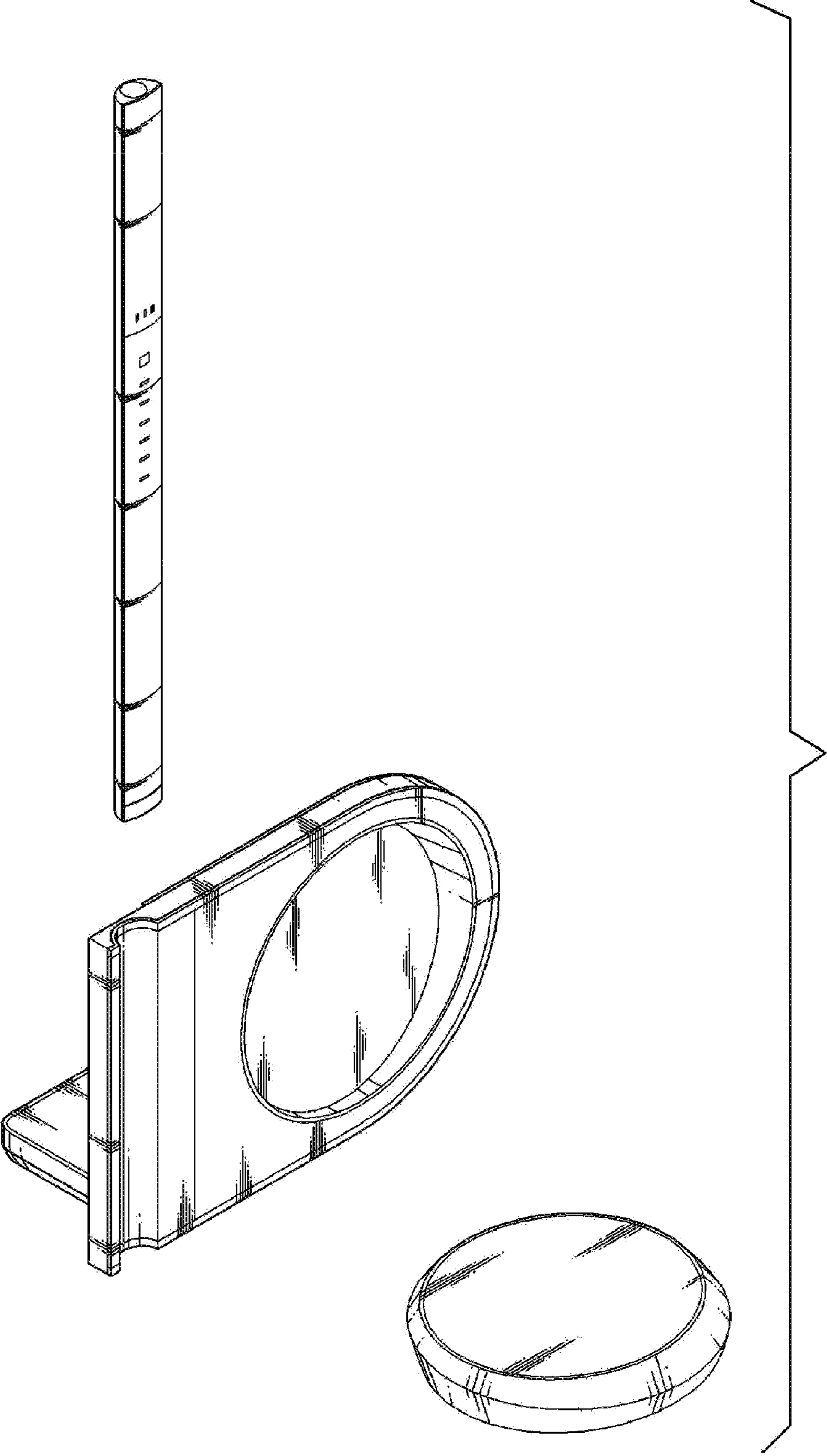


FIG. 9

