



US00D638030S

(12) **United States Design Patent**
Akana et al.

(10) **Patent No.:** **US D638,030 S**
(45) **Date of Patent:** **** May 17, 2011**

(54) **ELECTRONIC DEVICE**

(75) Inventors: **Jody Akana**, San Francisco, CA (US);
Bartley K. Andre, Menlo Park, CA
(US); **Jeremy Bataillou**, San Francisco,
CA (US); **Daniel J. Coster**, San
Francisco, CA (US); **Daniele De Iuliis**,
San Francisco, CA (US); **Evans**
Hankey, San Francisco, CA (US);
Richard P. Howarth, San Francisco, CA
(US); **Jonathan P. Ive**, San Francisco,
CA (US); **Duncan Robert Kerr**, San
Francisco, CA (US); **Shin Nishibori**,
Portola Valley, CA (US); **Matthew Dean**
Rohrbach, San Francisco, CA (US);
Peter Russell-Clarke, San Francisco,
CA (US); **Christopher J. Stringer**,
Woodside, CA (US); **Eugene Antony**
Whang, San Francisco, CA (US); **Rico**
Zorkendorfer, San Francisco, CA (US)

(73) Assignee: **Apple Inc.**, Cupertino, CA (US)

(**) Term: **14 Years**

(21) Appl. No.: **29/367,996**

(22) Filed: **Aug. 16, 2010**

(51) **LOC (9) Cl.** **14-03**

(52) **U.S. Cl.** **D14/496; D14/203.3**

(58) **Field of Classification Search** D14/496,
D14/401, 435, 474, 483, 217, 137, 138, 160,
D14/168, 356, 203.1–203.8, 507; 345/156,
345/169, 173–179, 905; 715/727–729, 864;
710/1, 5, 8; 713/1, 600; 455/1.1, 1.7, 73,
455/344–347, 93, 95, 3.01–3.06, 550.1, 573.1;
370/342–344; 369/1, 2, 6–12; 463/43–47;
273/148 B

See application file for complete search history.

(56) **References Cited**

U.S. PATENT DOCUMENTS

5,128,829 A * 7/1992 Loew 361/679.3

5,808,862 A 9/1998 Robbins
D408,794 S 4/1999 Ogasawara
6,122,526 A * 9/2000 Parulski et al. 455/556.1
D441,735 S 5/2001 Katayama
6,354,477 B1 * 3/2002 Trummer 224/575
D459,339 S 6/2002 Tong
6,567,011 B1 * 5/2003 Young et al. 340/12.28
6,595,860 B1 * 7/2003 Yamamoto et al. 463/43
D478,076 S * 8/2003 Hong D14/345
D488,472 S 4/2004 Haase et al.

(Continued)

OTHER PUBLICATIONS

U.S. Appl. No. 29/379,225, filed Nov. 16, 2010, Andre et al., "Media Device".

(Continued)

Primary Examiner — Prabhakar Deshmukh
(74) *Attorney, Agent, or Firm* — Sterne, Kessler, Goldstein & Fox PLLC

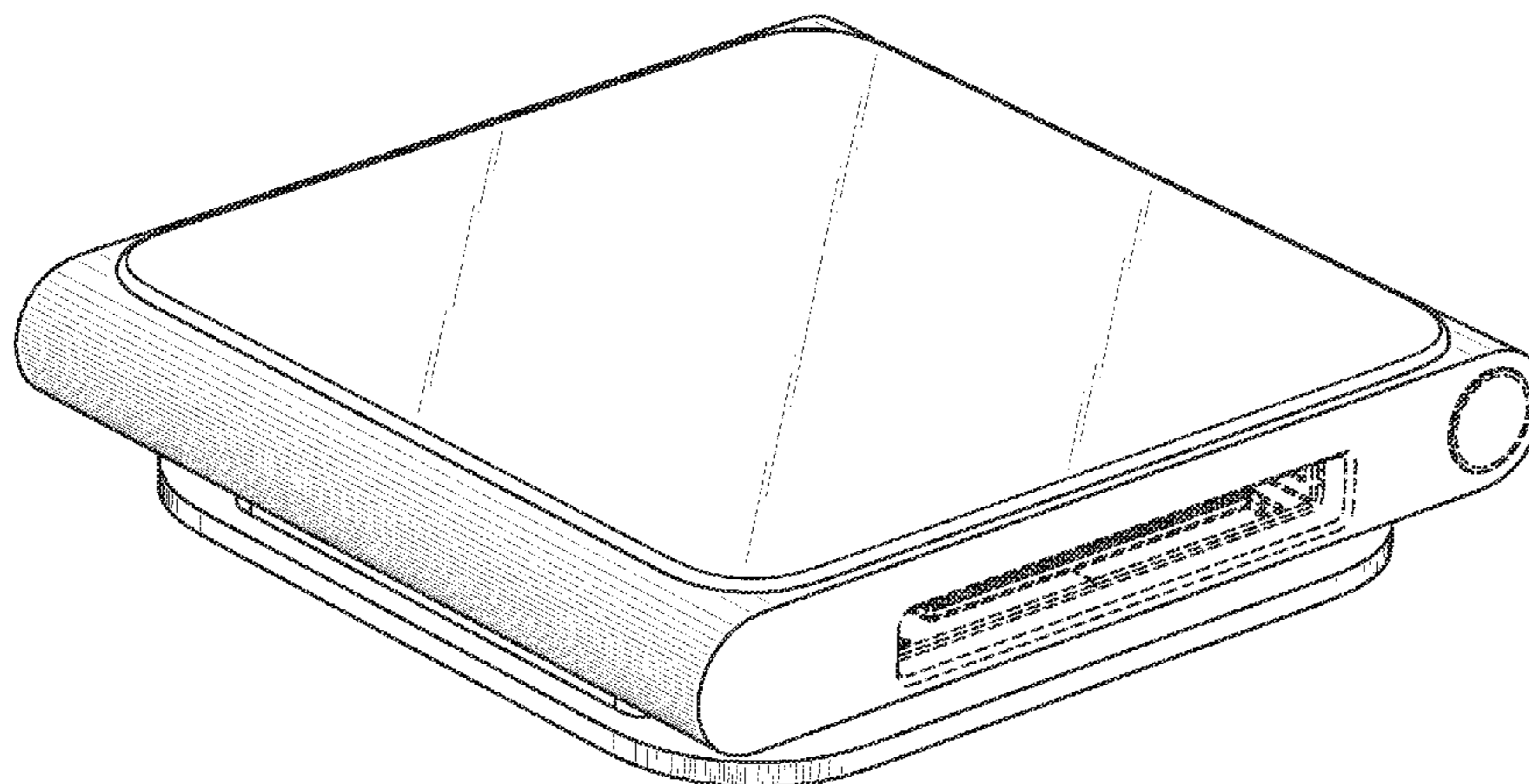
(57) **CLAIM**

The ornamental design for an electronic device, as shown and described.

DESCRIPTION

FIG. 1 is a bottom front perspective view of an electronic device showing our new design;
FIG. 2 is a bottom rear perspective view thereof;
FIG. 3 is a top rear perspective thereof;
FIG. 4 is a top front perspective thereof;
FIG. 5 is a front view thereof;
FIG. 6 is a rear view thereof;
FIG. 7 is a bottom elevational view thereof;
FIG. 8 is a top elevational view thereof;
FIG. 9 is a left side elevational view thereof; and,
FIG. 10 is a right side elevational view thereof.
The shade lines in the Figures show contour or transparency and not surface ornamentation.
The broken lines in the Figures show portions of the electronic device which form no part of the claimed design.

1 Claim, 8 Drawing Sheets



US D638,030 S

Page 2

U.S. PATENT DOCUMENTS

D490,796 S 6/2004 Allen
D517,065 S 3/2006 Ko et al.
D521,460 S 5/2006 Shimizu
D546,202 S 7/2007 Chang
D555,171 S * 11/2007 Dai D14/496
D556,193 S 11/2007 Laituri et al.
D559,860 S 1/2008 Andre et al.
D559,861 S 1/2008 Andre et al.
D560,228 S 1/2008 Andre et al.
D563,434 S * 3/2008 Dai D14/496
D569,389 S 5/2008 Andre et al.
D588,610 S 3/2009 Andre et al.

D589,530 S 3/2009 Andre et al.
D590,826 S * 4/2009 Andre et al. D14/341
D601,172 S 9/2009 Andre et al.
D616,899 S 6/2010 Andre et al.
D627,367 S 11/2010 Andre et al.

OTHER PUBLICATIONS

Gizmodo, "Is This the Next iPod Shuffle?", <<http://gizmodo.com/5583144/is-this-the-next-ipod-shuffle>>, retrieved Dec. 17, 2010, 2 pages.

* cited by examiner

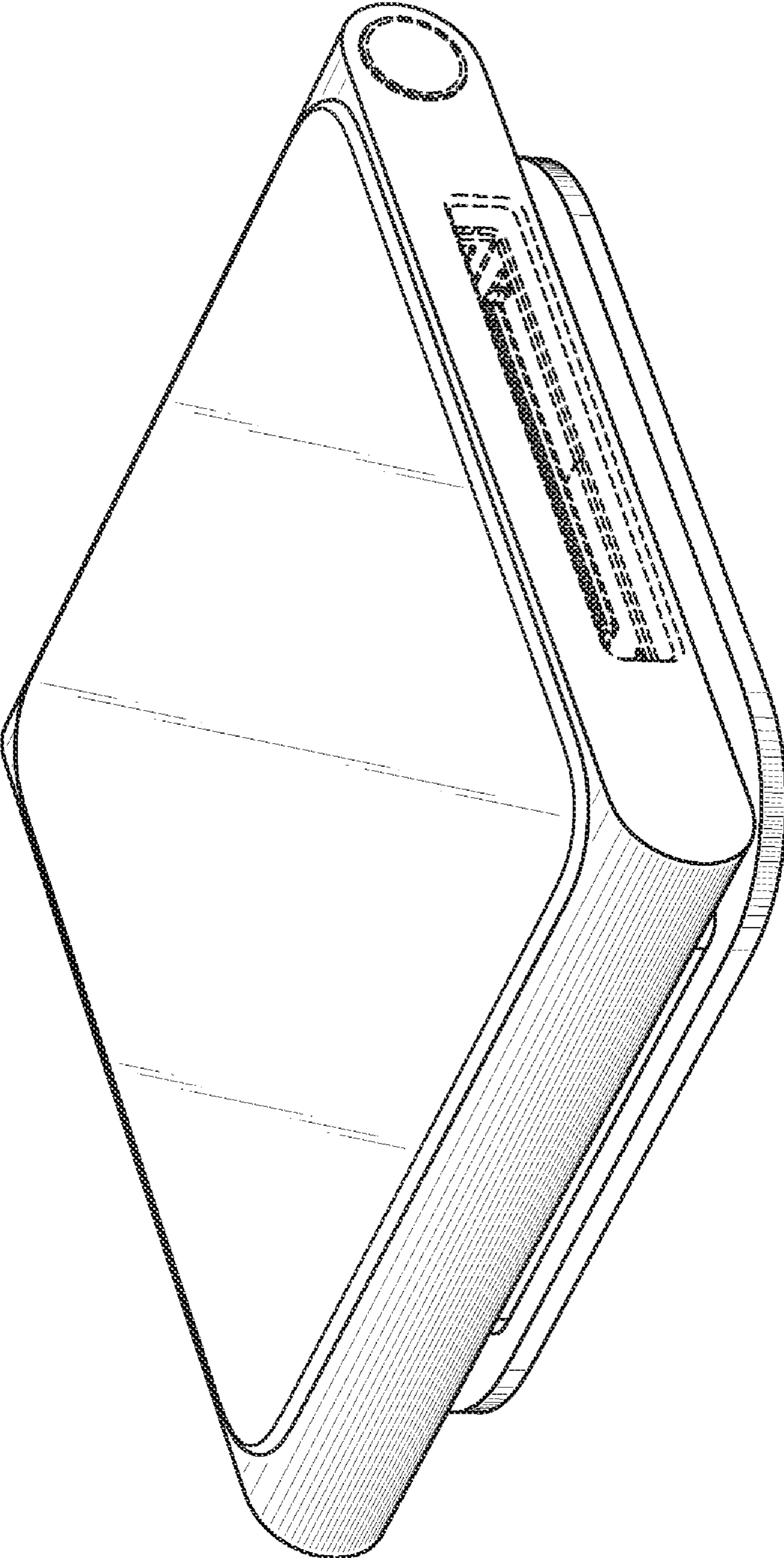


FIG. 1

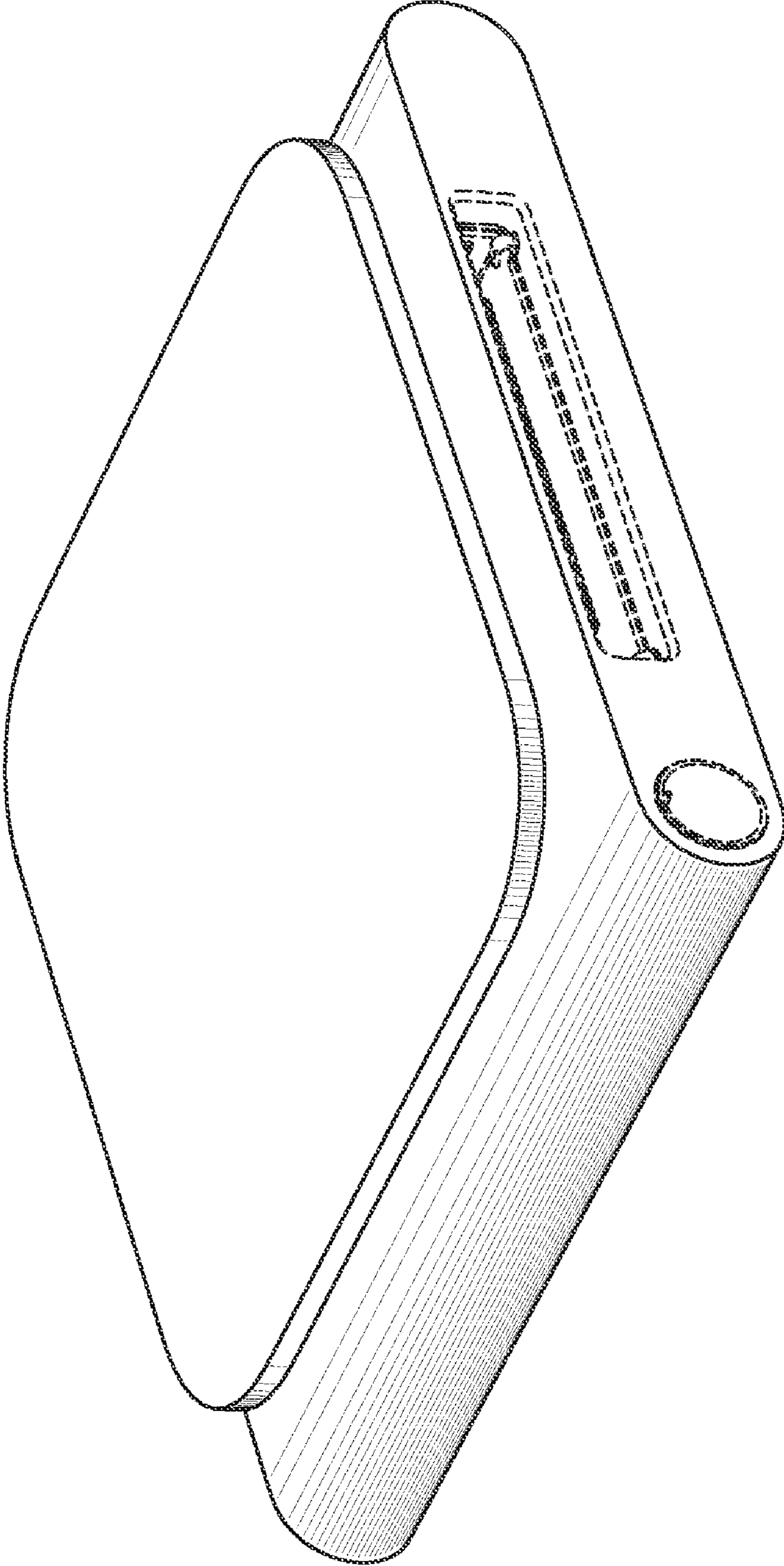


FIG. 2

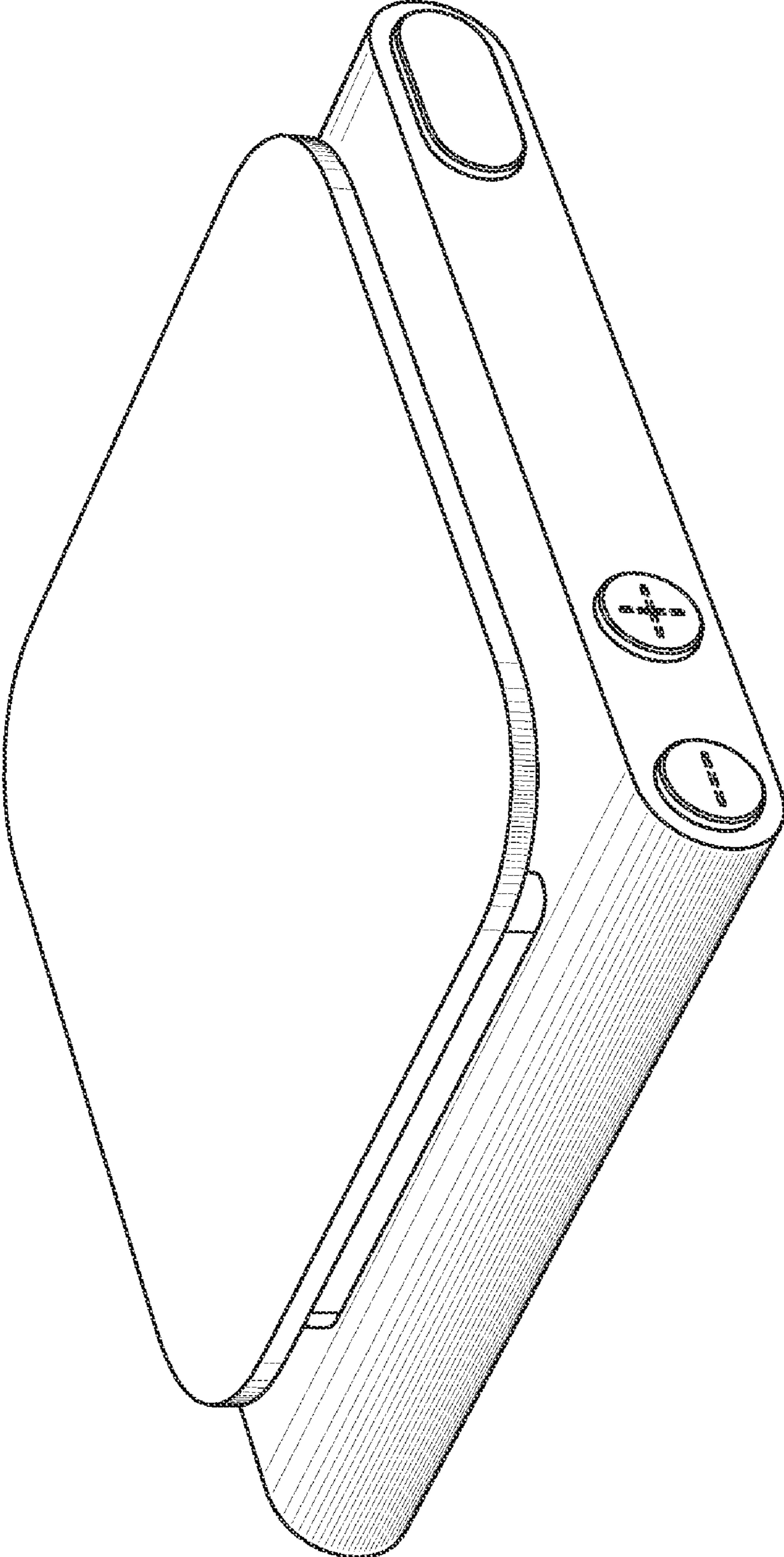


FIG. 3

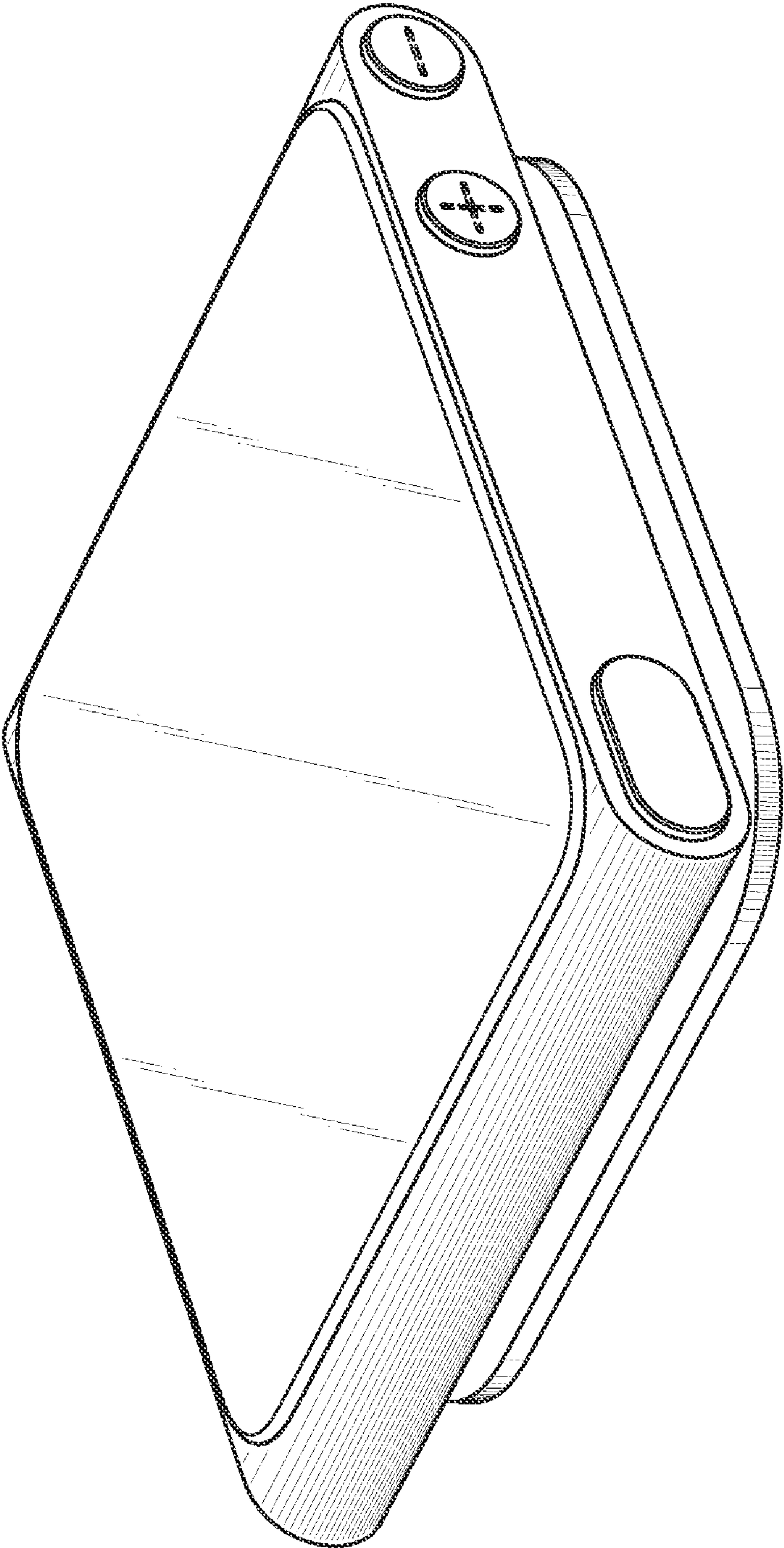


FIG. 4

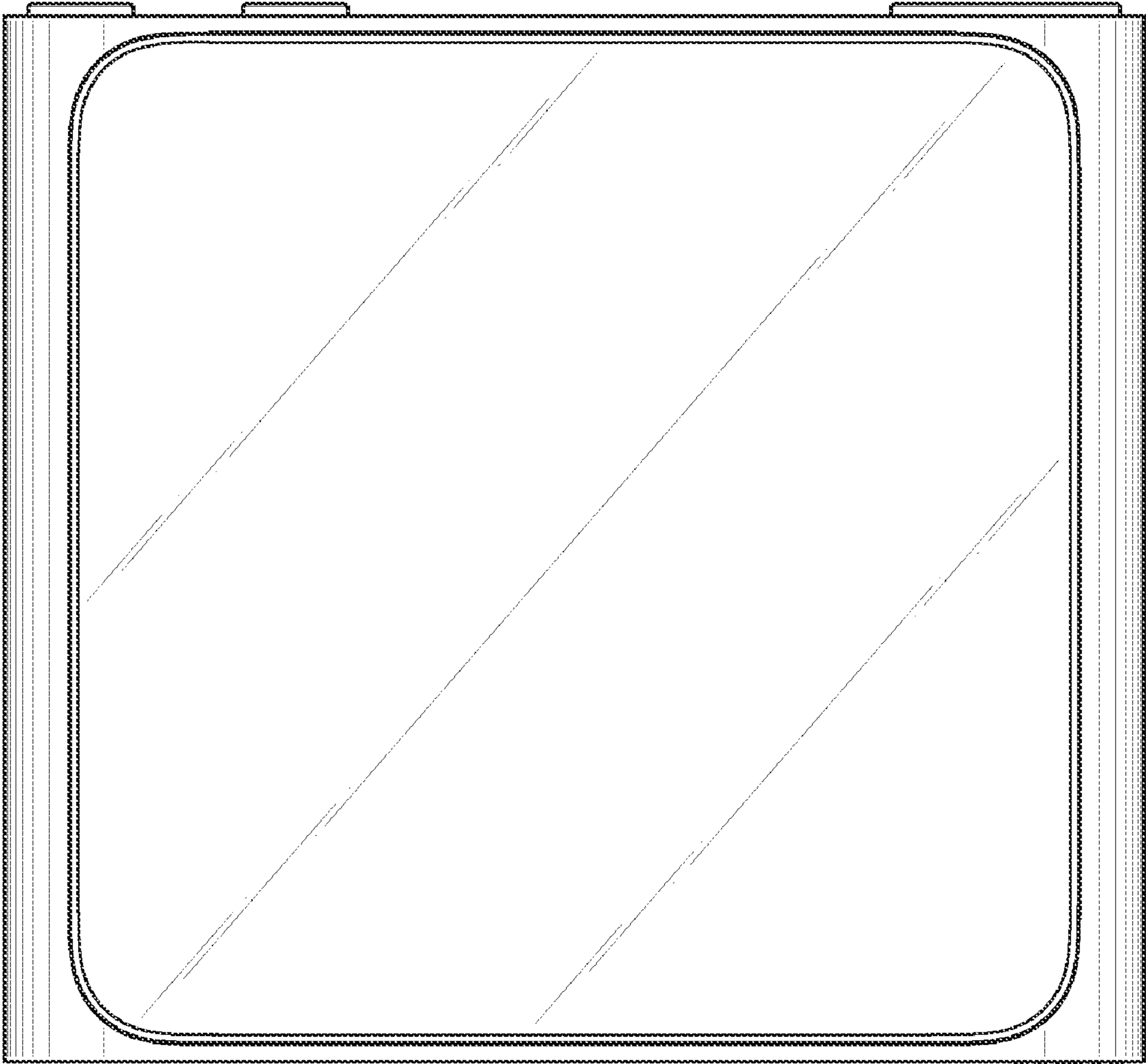


FIG. 5

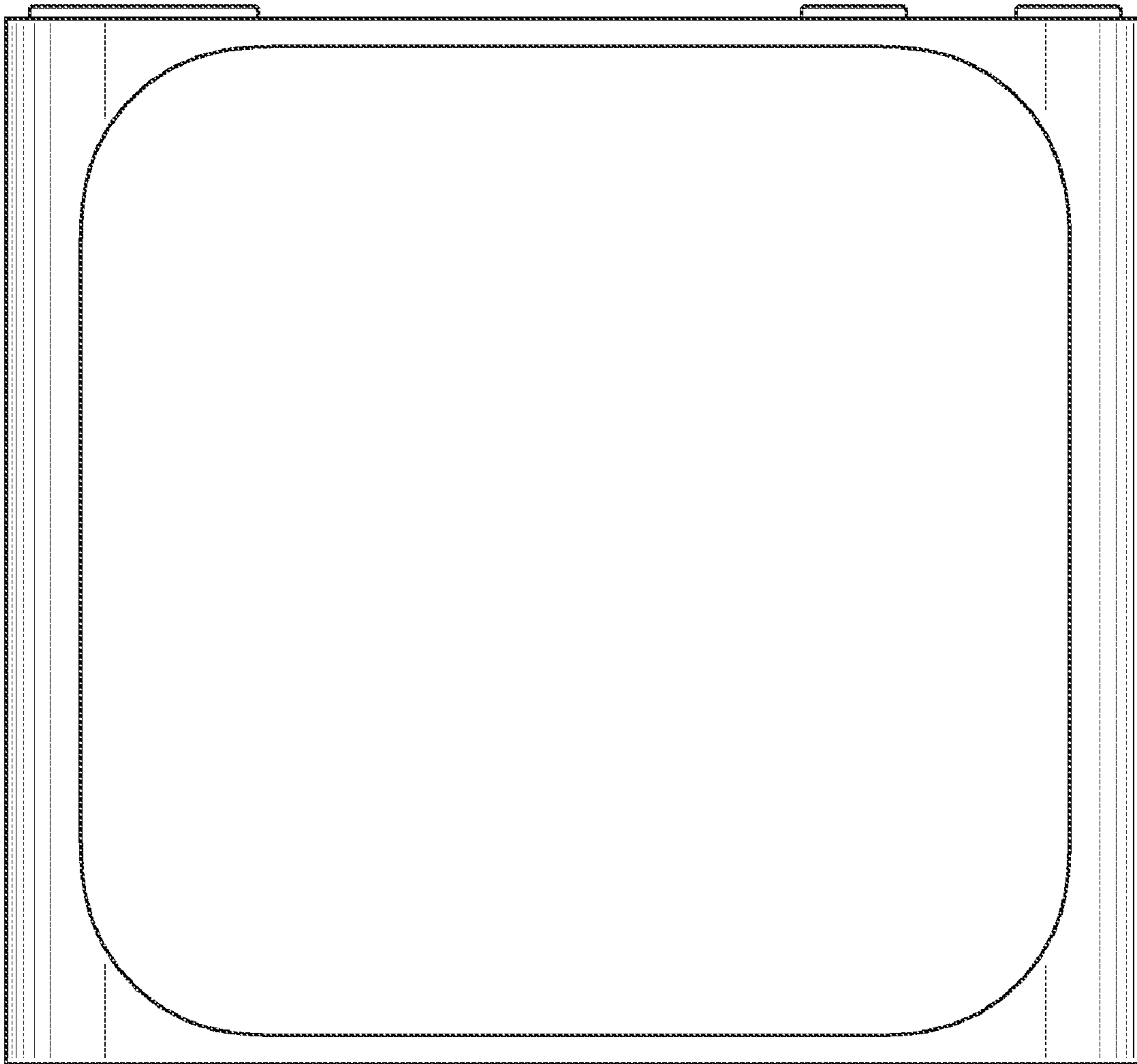


FIG. 6

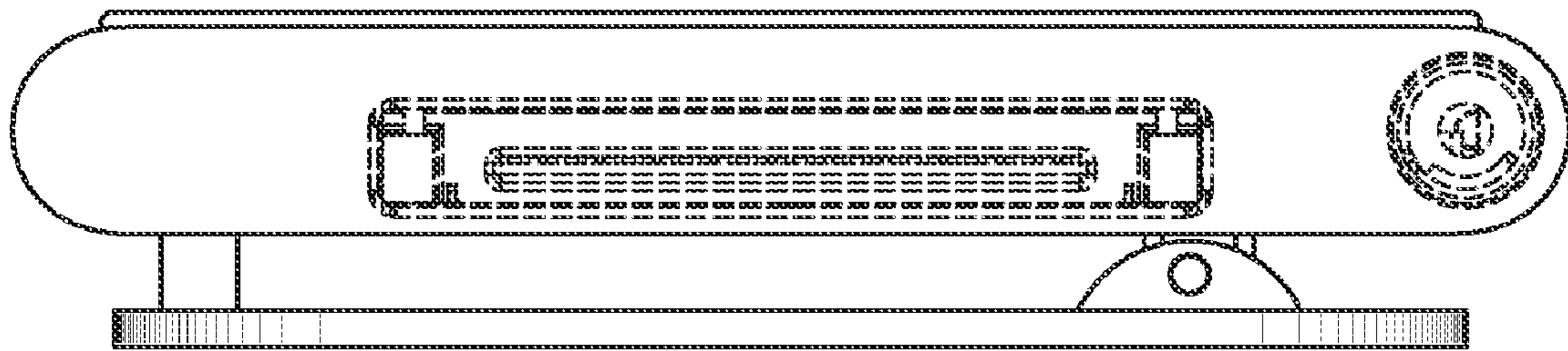


FIG. 7

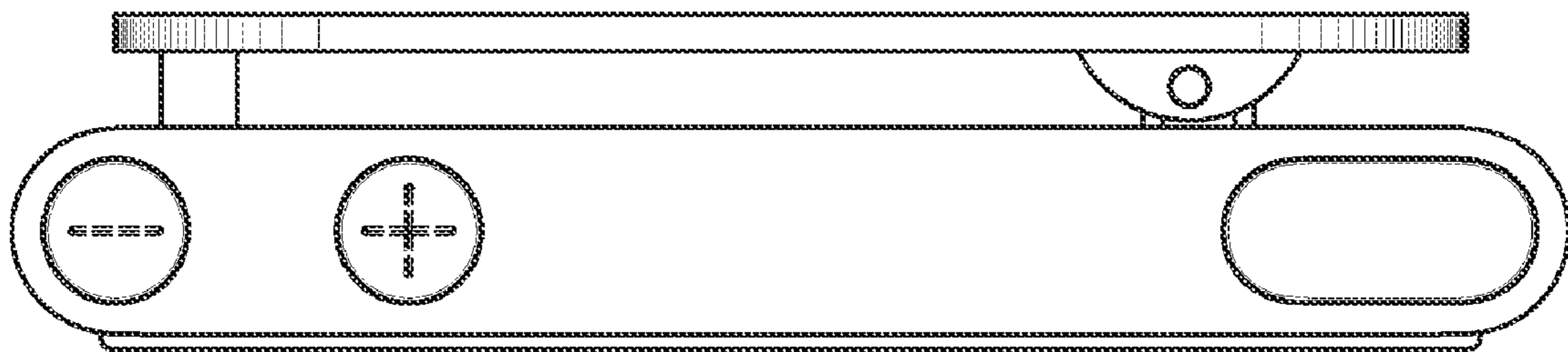


FIG. 8

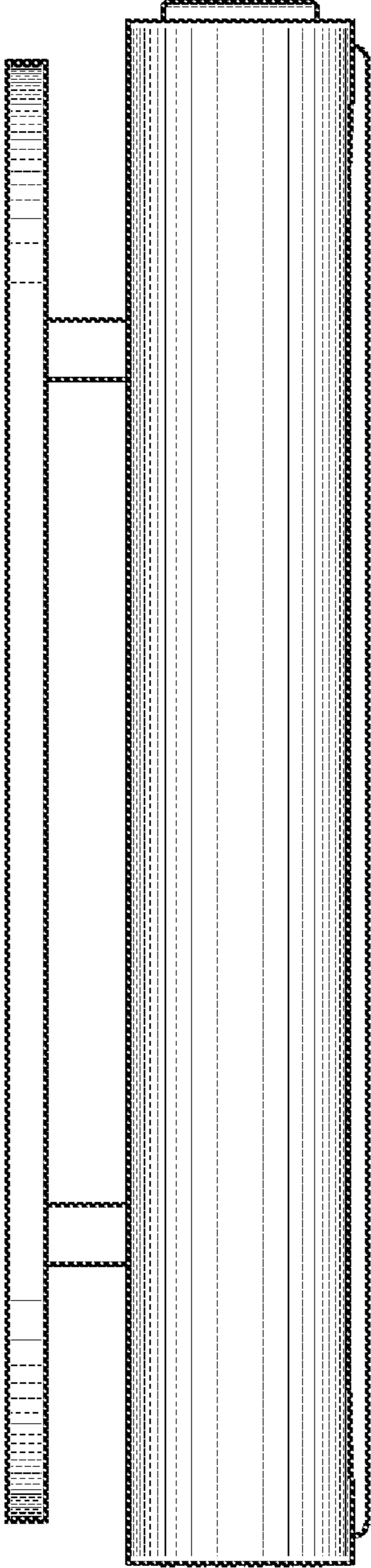


FIG. 9

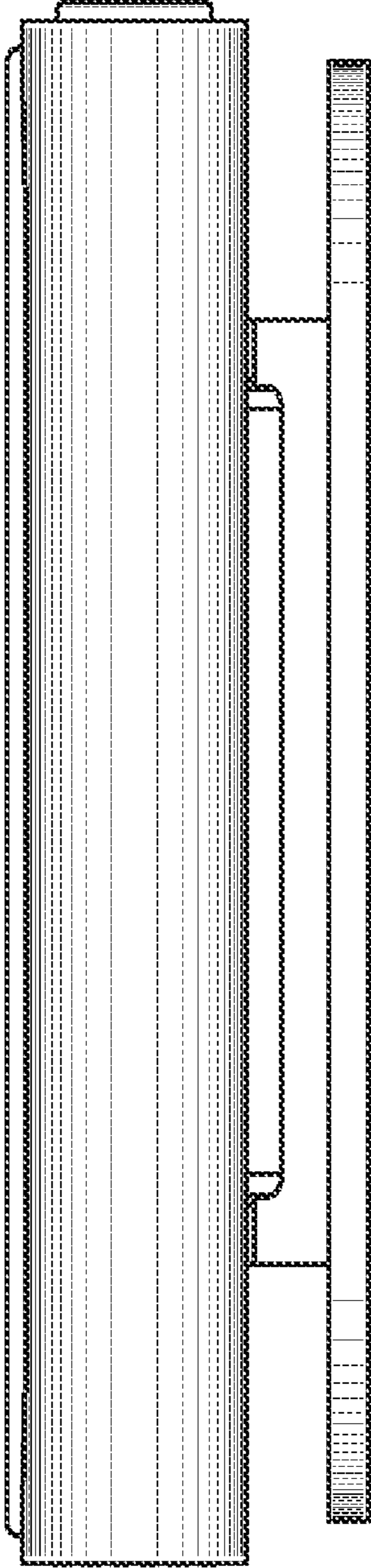


FIG. 10