



US00D638023S

(12) **United States Design Patent**
Skull et al.

(10) **Patent No.:** **US D638,023 S**
(45) **Date of Patent:** **** May 17, 2011**

- (54) **FULL MOTION DISPLAY MOUNT**
- (75) Inventors: **Joseph Skull**, Fridley, MN (US); **Robert Hagen**, Minneapolis, MN (US); **Joe Bures**, Columbia Heights, MN (US); **Peter Tribuno**, Roseville, MN (US)
- (73) Assignee: **Milestone AV Technologies LLC**, Savage, MN (US)

D568,144	S	5/2008	Wohlford et al.	
D569,381	S *	5/2008	Sculler et al.	D14/452
D576,633	S *	9/2008	Muday et al.	D14/452
D595,299	S	6/2009	Bures	
D595,723	S	7/2009	Bures et al.	
D596,189	S	7/2009	Bures et al.	
D623,654	S *	9/2010	Hau et al.	D14/452
2004/0262474	A1 *	12/2004	Boks et al.	248/276.1
2005/0127261	A1 *	6/2005	Lin	248/288.51

- (**) Term: **14 Years**
- (21) Appl. No.: **29/360,332**

- (22) Filed: **Apr. 23, 2010**
- (51) **LOC (9) Cl.** **08-07**
- (52) **U.S. Cl.** **D14/452**
- (58) **Field of Classification Search** D14/448,
D14/439, 440, 447, 449, 450, 451, 452, 432,
D14/434, 457, 336, 337, 339, 340, 371, 372,
D14/373, 374, 375, 376, 377, 378, 379, 380,
D14/381, 382, 126, 127, 128, 129, 203.8,
D14/217, 238.1, 239; 345/905; 248/917,
248/918, 919, 920, 921, 922, 923, 924; 348/184,
348/739, 761, 791, 825, 834, 835; 349/58,
349/60; D6/406.1, 406.3, 406.4, 406.5, 406.6;
D8/363, 380; 361/679.06, 679.02, 679.09,
361/679.21, 679.3, 679.55, 679.56, 679.26,
361/679.27

See application file for complete search history.

(56) **References Cited**

U.S. PATENT DOCUMENTS

D543,548	S *	5/2007	Muday et al.	D14/452
D557,126	S *	12/2007	Worrall et al.	D8/380
D558,560	S	1/2008	Ciungan	
D558,562	S	1/2008	Ciungan et al.	
D558,563	S *	1/2008	Ciungan	D8/363
D561,748	S *	2/2008	Sculler et al.	D14/239
D562,113	S *	2/2008	Ciungan et al.	D8/363
D565,938	S *	4/2008	Massoumi et al.	D8/363

OTHER PUBLICATIONS

Sanus Systems Catalog © 2008 Milestone AV Technologies, a Duchossois Group Company, pp. 60-74 (Section entitled Sanus Visionmount, AV Mounts.

* cited by examiner

Primary Examiner — Angela J Lee

(74) *Attorney, Agent, or Firm* — Patterson Thuent Christensen Pedersen, P.A.

(57) **CLAIM**

The ornamental design for a full motion display mount, as shown and described.

DESCRIPTION

FIG. 1 is a front perspective view of a full motion display mount according to the invention;
 FIG. 2 is a front elevation view of the full motion display mount depicted in FIG. 1;
 FIG. 3 is a left side elevation view of the full motion display mount depicted in FIG. 1;
 FIG. 4 is a right side elevation view of the full motion display mount depicted in FIG. 1;
 FIG. 5 is a top plan view of the full motion display mount depicted in FIG. 1;
 FIG. 6 is a bottom plan view of the full motion display mount depicted in FIG. 1; and,
 FIG. 7 is a rear elevation view of the full motion display mount depicted in FIG. 1.

1 Claim, 5 Drawing Sheets

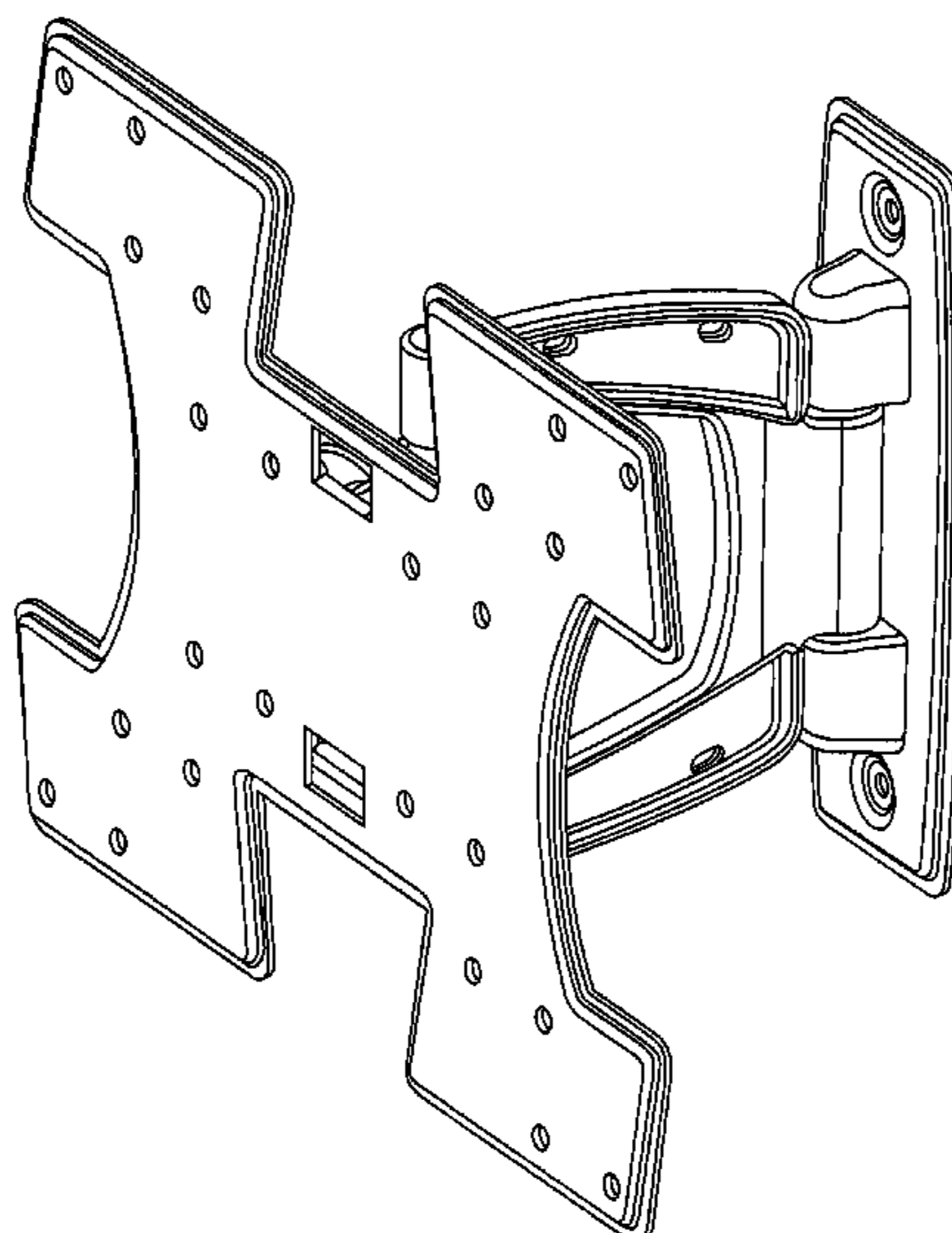


Fig. 1

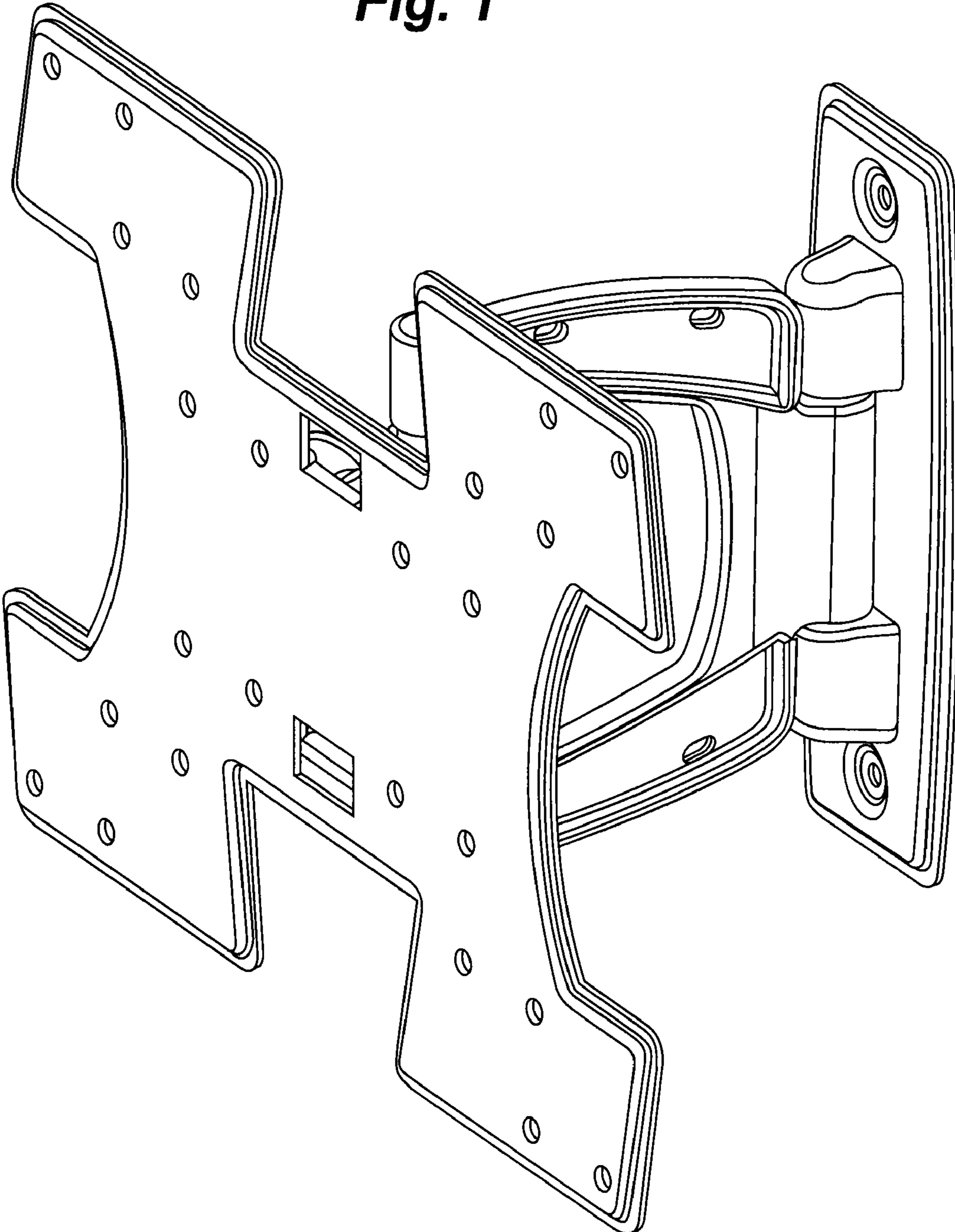


Fig. 2

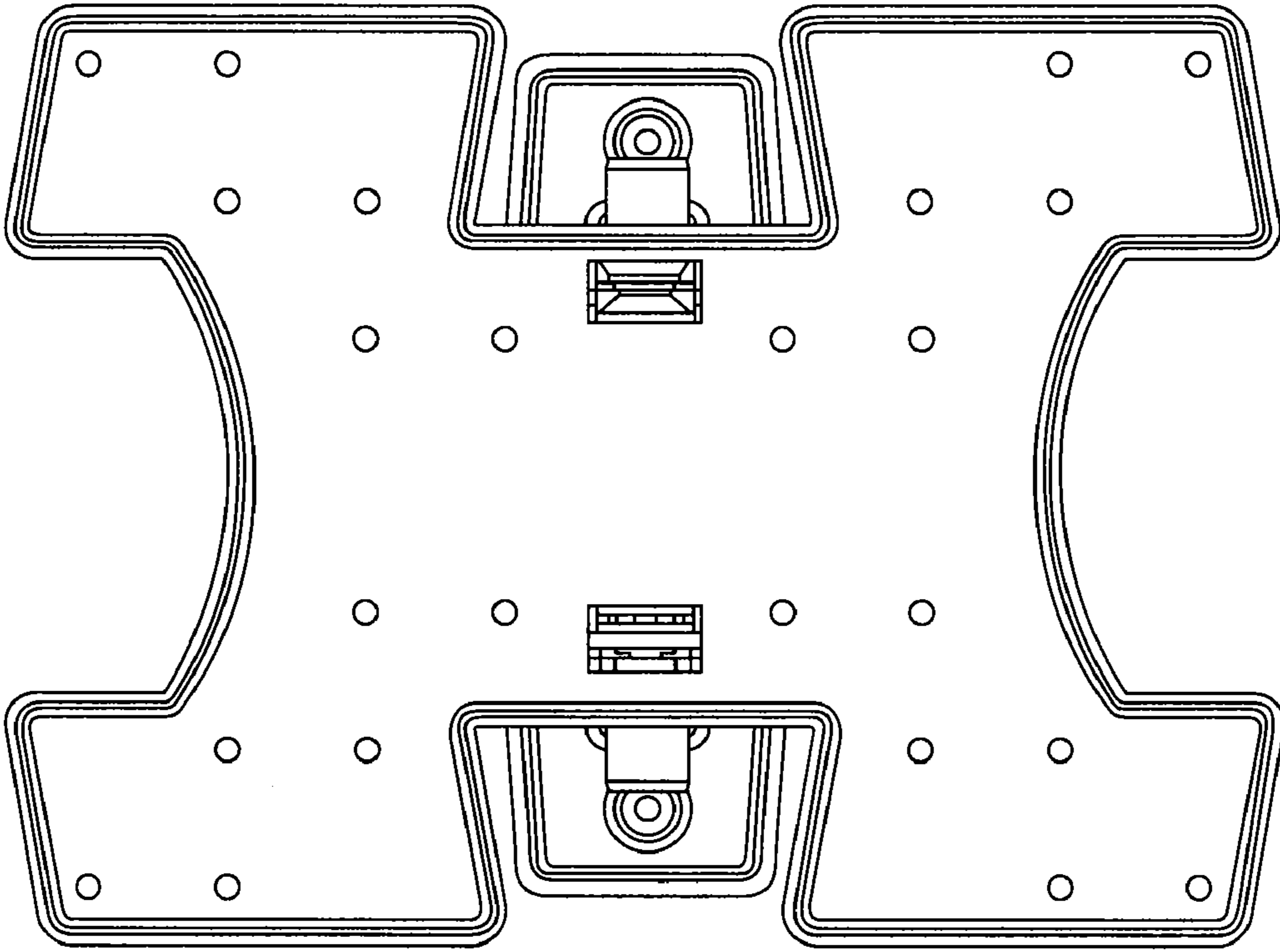


Fig. 3

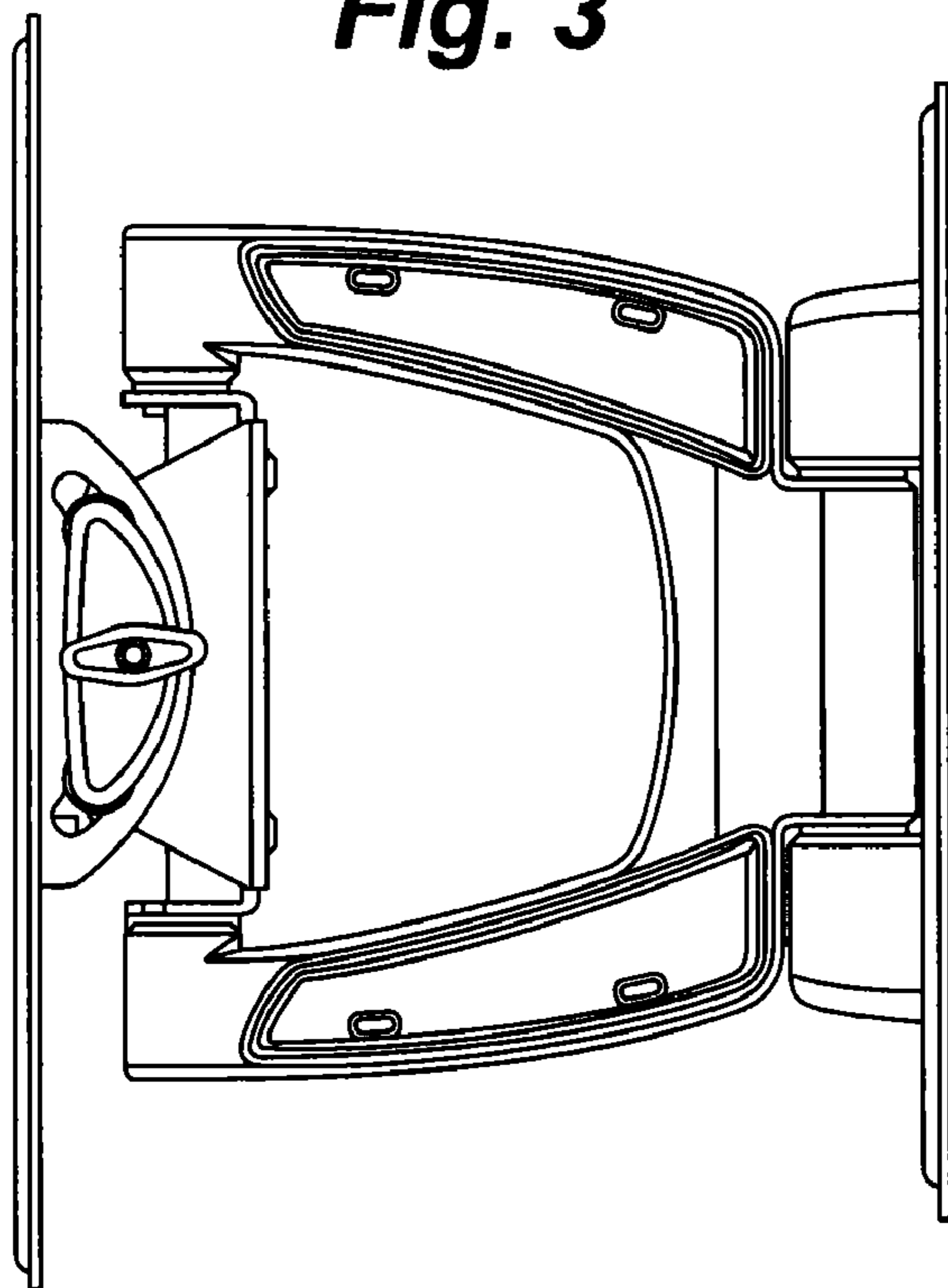


Fig. 4

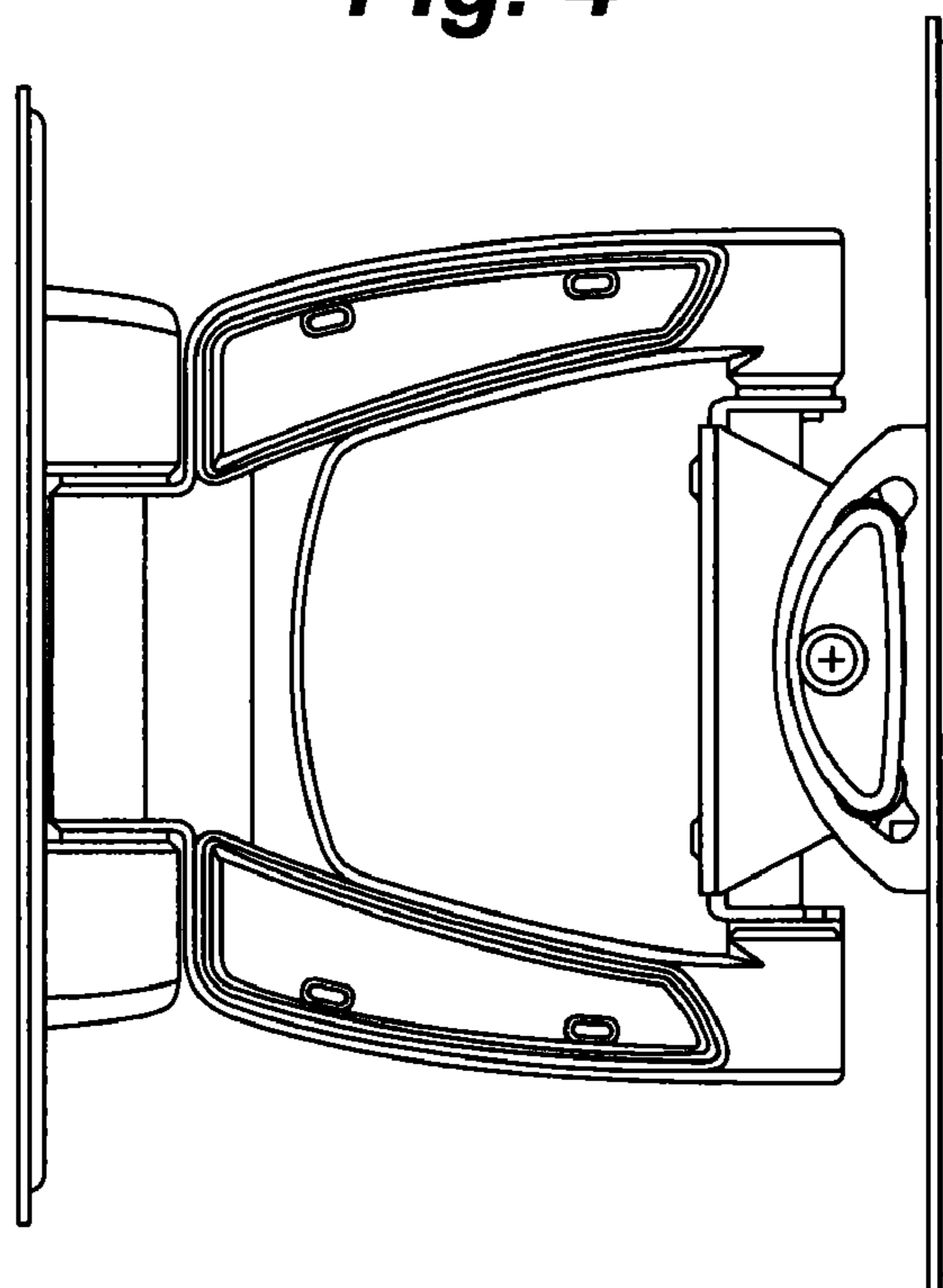


Fig. 5

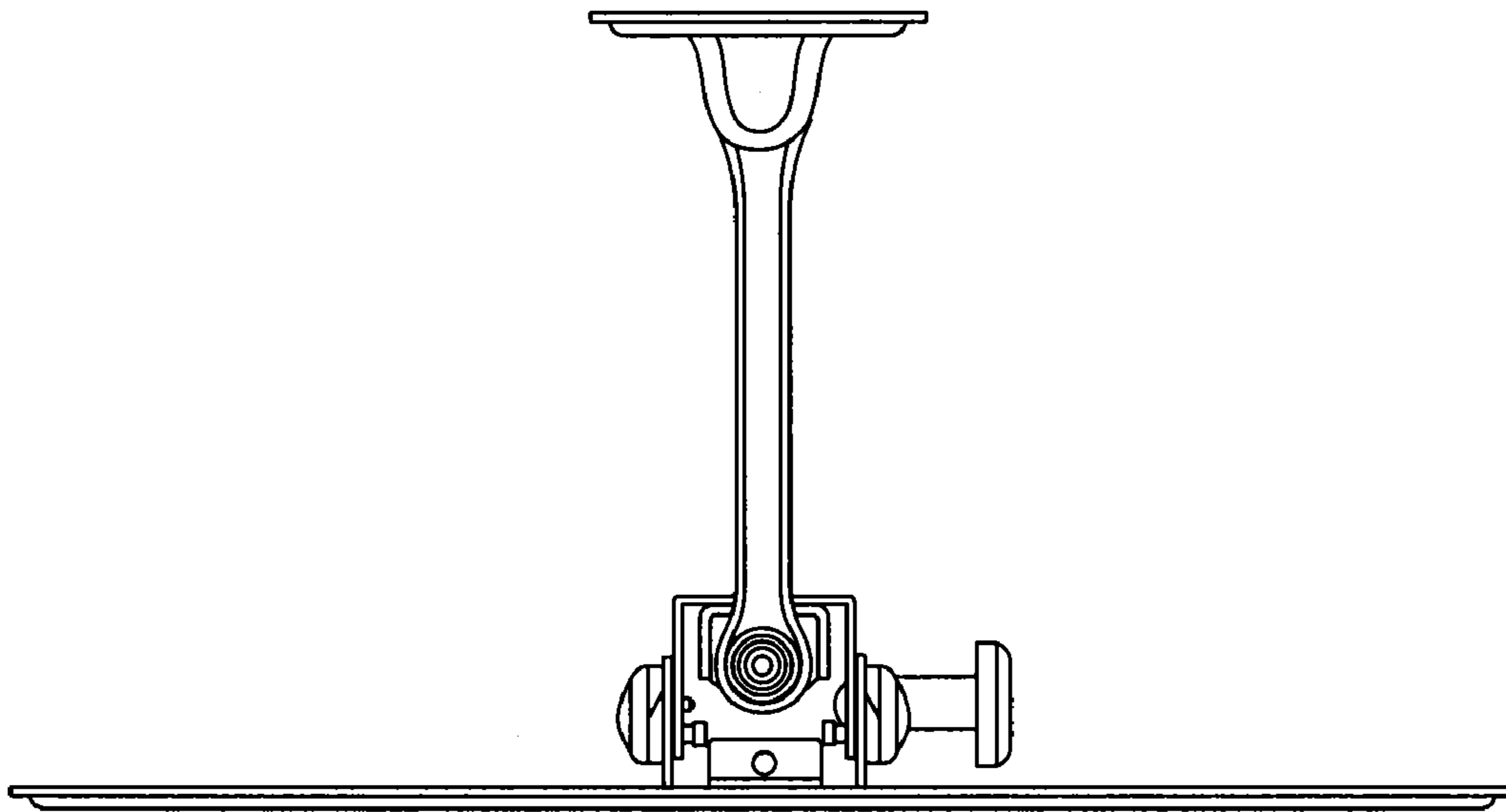


Fig. 6

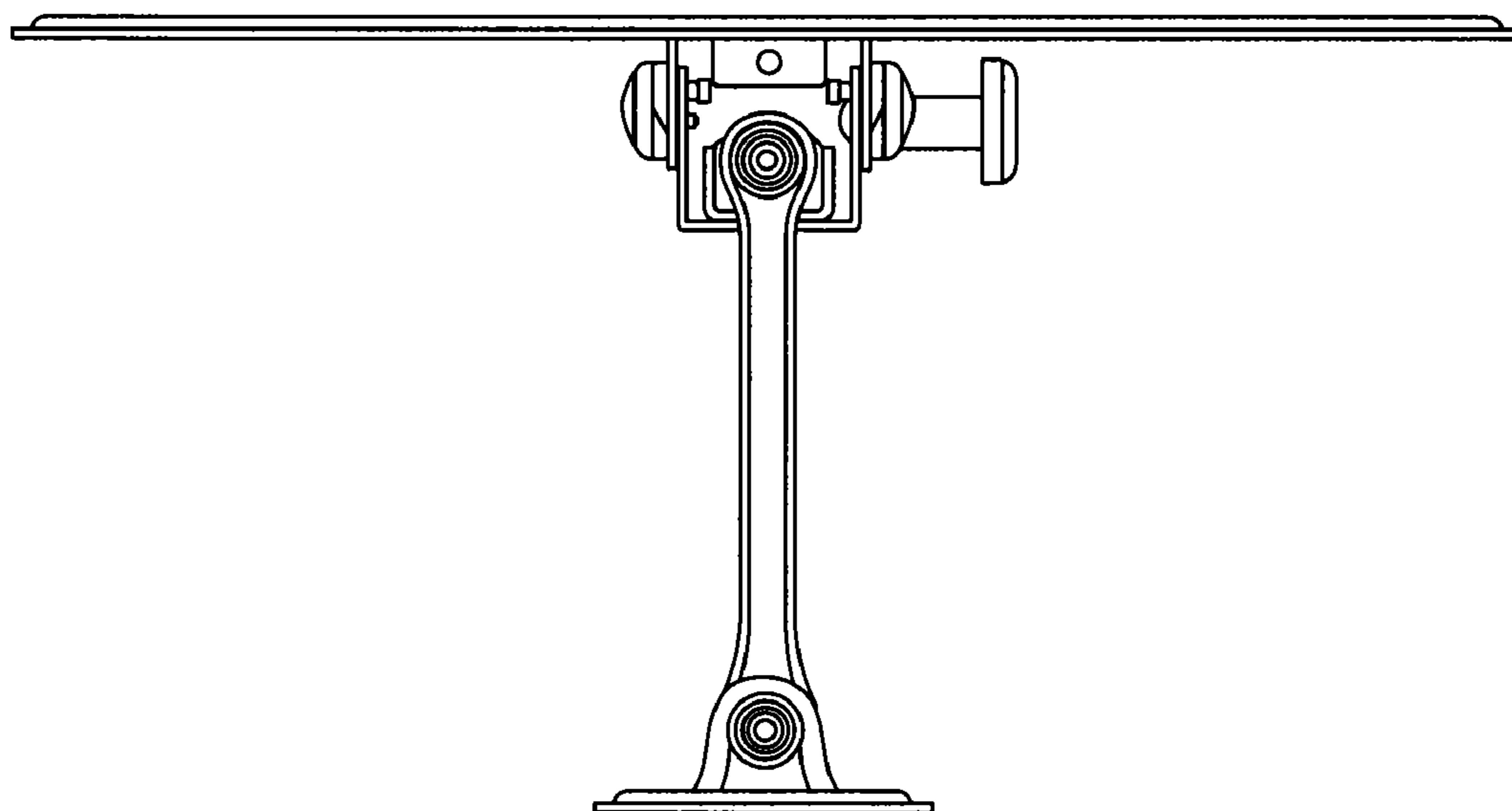


Fig. 7

