



US00D638022S

(12) **United States Design Patent**
Kasuga et al.

(10) **Patent No.:** **US D638,022 S**

(45) **Date of Patent:** **** *May 17, 2011**

(54) **DISPLAY**

(75) Inventors: **Hiroyuki Kasuga**, Minato-ku (JP);
Yoshihito Mochizuki, Minato-ku (JP);
Hsi-Ming Chen, Minato-ku (JP); **Naoto**
Fukasawa, Shibuya-ku (JP)

(73) Assignee: **NEC Display Solutions, Ltd.**, Tokyo
(JP)

(*) Notice: This patent is subject to a terminal disclaimer.

(**) Term: **14 Years**

(21) Appl. No.: **29/358,236**

(22) Filed: **Mar. 24, 2010**

(51) **LOC (9) Cl.** **14-02**

(52) **U.S. Cl.** **D14/451; D14/239**

(58) **Field of Classification Search** D14/447,
D14/451, 452, 239, 432, 434, 439, 448, 457,
D14/251, 253, 224, 224.1, 126, 127, 371,
D14/373, 374, 375; D8/363, 373, 380; 248/917,
248/918, 919, 920, 921, 922, 923, 924, 441.1,
248/460, 122.1, 125.7, 371, 176.1, 176.3,
248/222.52, 276.1, 324; 361/679.06, 679.04,
361/679.21, 679.22, 679.56

See application file for complete search history.

(56) **References Cited**

U.S. PATENT DOCUMENTS

D426,540 S * 6/2000 Tejima D14/224
6,712,321 B1 * 3/2004 Su et al. 248/123.11

7,159,828 B1 * 1/2007 Yau et al. 248/125.8
7,413,150 B1 * 8/2008 Hsu 248/123.11
D582,364 S * 12/2008 Lewis D14/126
7,460,363 B2 * 12/2008 Teng 361/679.27
D606,547 S * 12/2009 Kamata et al. D14/451
7,712,711 B2 * 5/2010 Jang 248/125.8
7,780,125 B2 * 8/2010 Yen et al. 248/125.1
D623,156 S * 9/2010 Kasuga et al. D14/126
D624,062 S * 9/2010 Kasuga et al. D14/239
D624,063 S * 9/2010 Kasuga et al. D14/239
2004/0011932 A1 * 1/2004 Duff 248/157
2007/0195495 A1 * 8/2007 Kim et al. 361/681

* cited by examiner

Primary Examiner — Angela J Lee

(74) *Attorney, Agent, or Firm* — Sughrue Mion, PLLC

(57) **CLAIM**

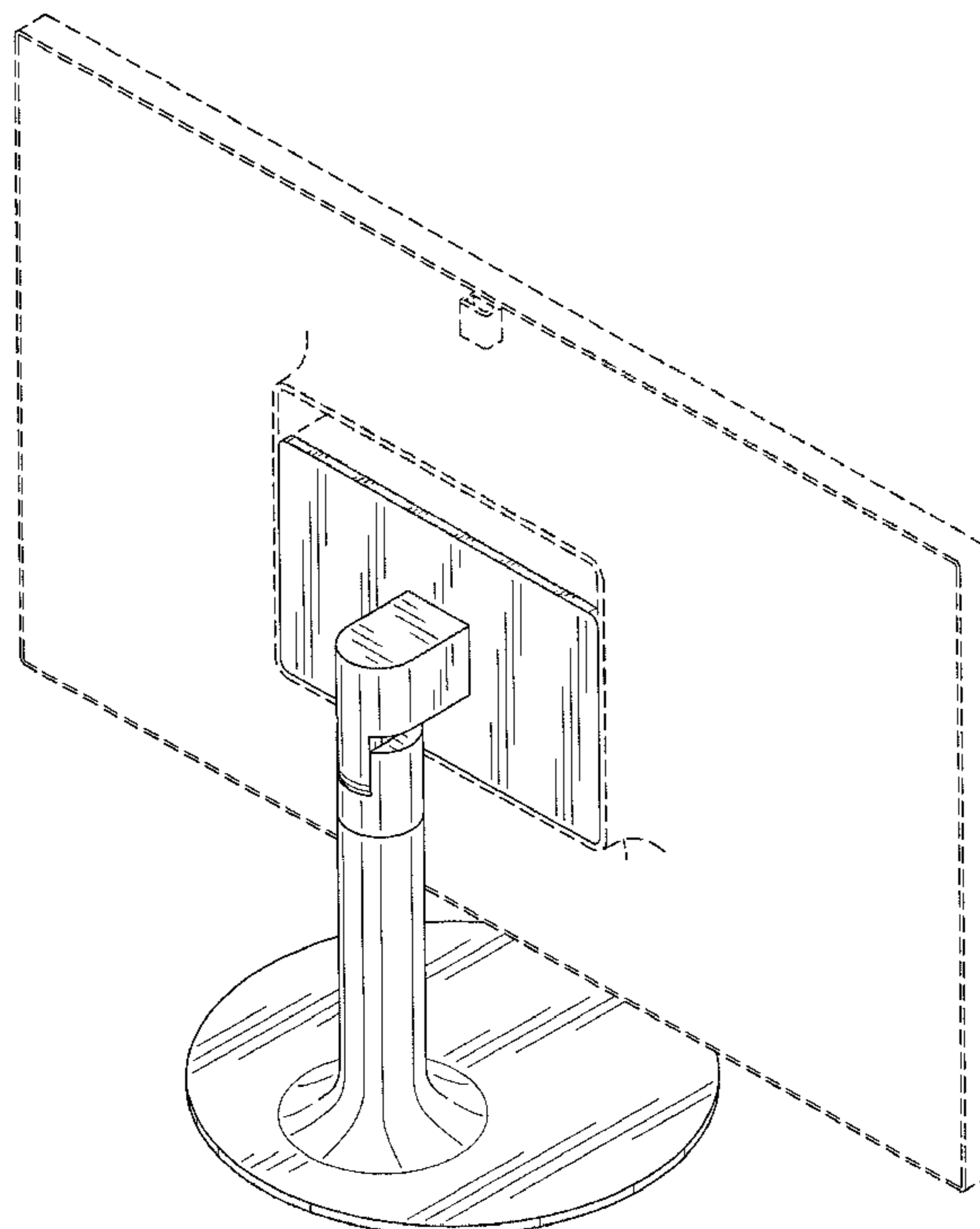
The ornamental design for a display, as shown and described.

DESCRIPTION

FIG. 1 is a front, right side, top perspective view of a display showing our new design;
FIG. 2 is a front elevational view thereof;
FIG. 3 is a rear elevational view thereof;
FIG. 4 is a left side view thereof;
FIG. 5 is a right side view thereof;
FIG. 6 is a top plan view thereof;
FIG. 7 is a bottom plan view thereof; and,
FIG. 8 is a cross-sectional view thereof, taken along the line 8—8 of FIG. 2.

The portions in broken lines are shown for illustrative purposes only and form no part of the claimed design.

1 Claim, 7 Drawing Sheets



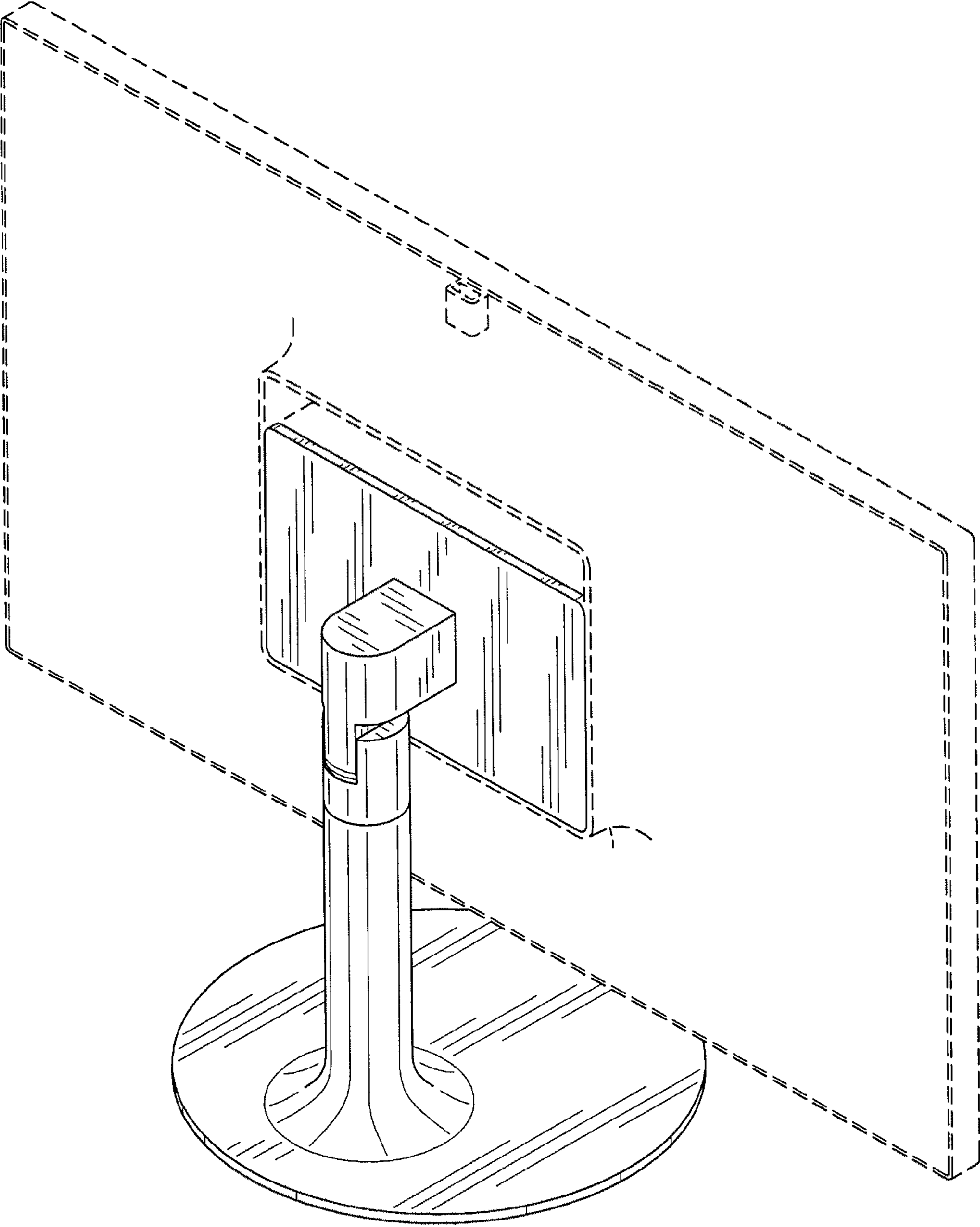


FIG. 1

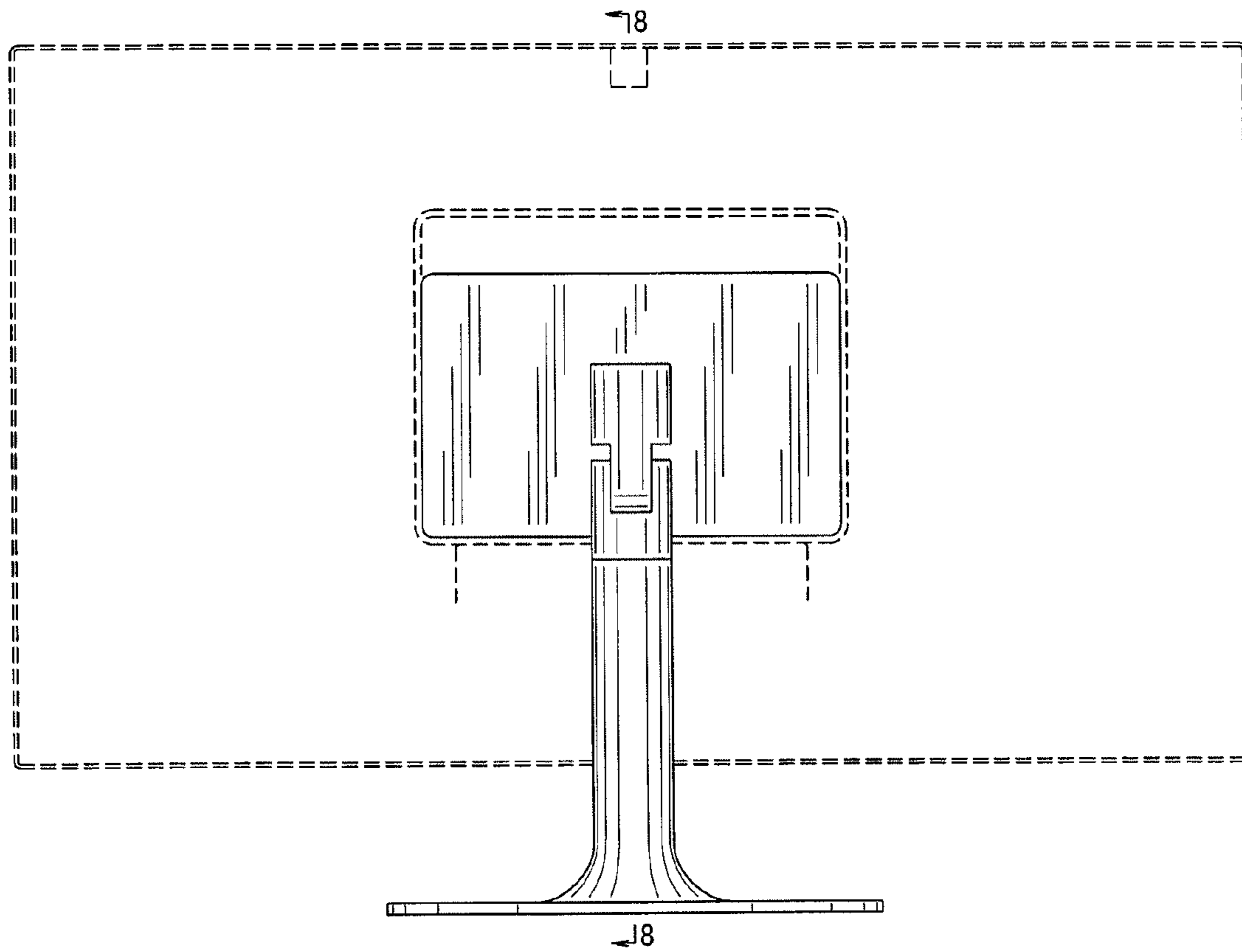


FIG. 2

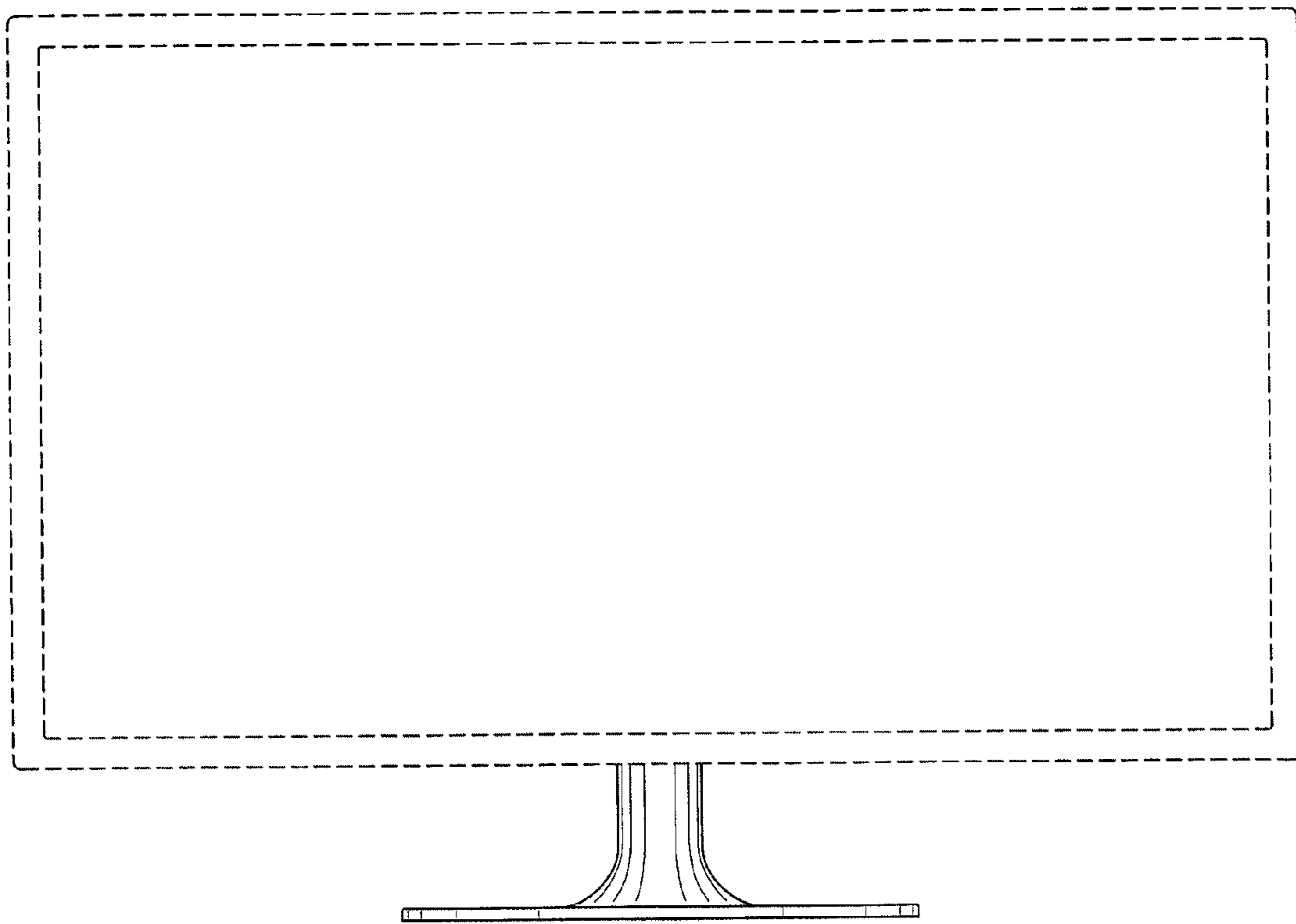


FIG. 3

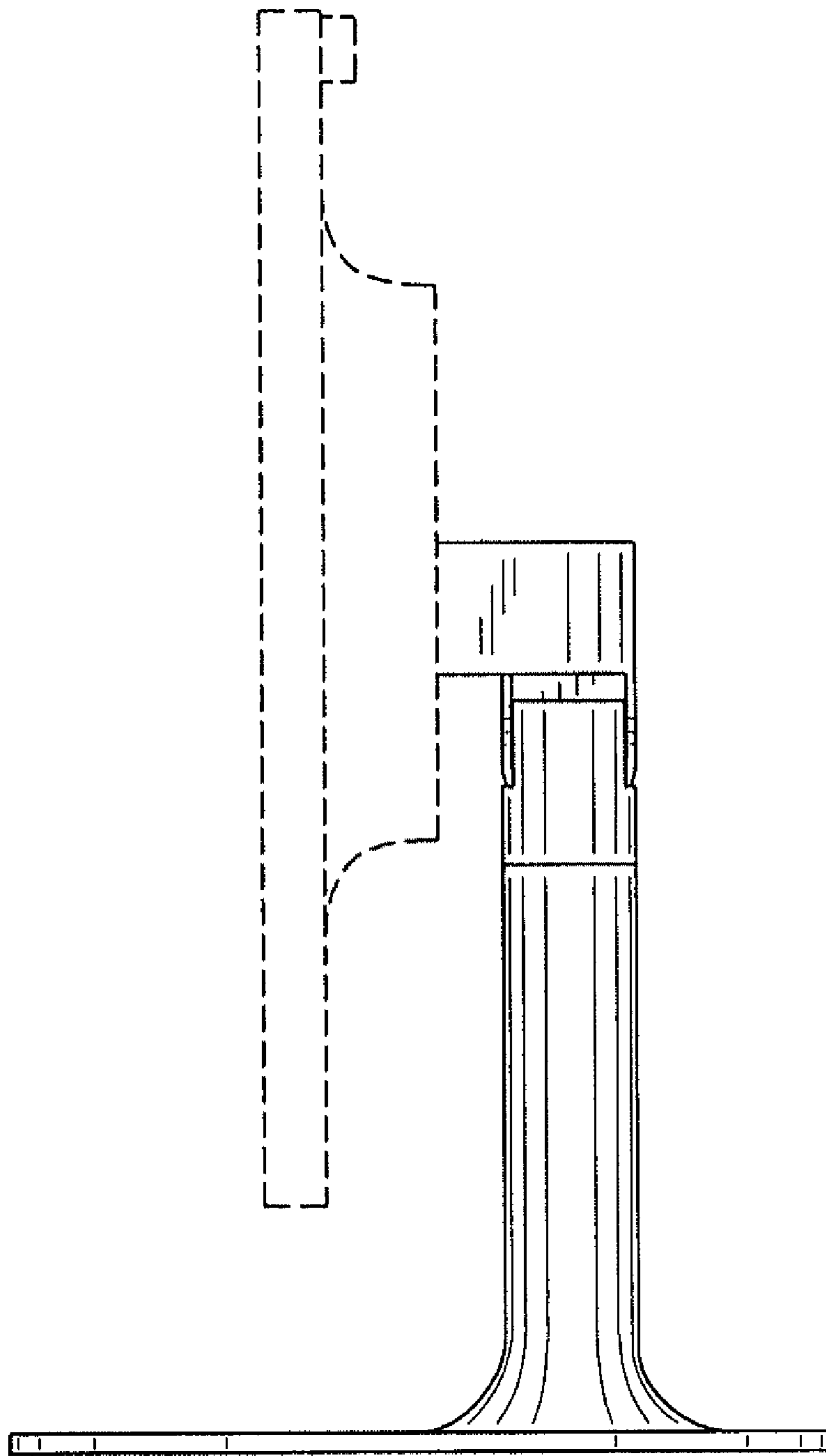


FIG. 4

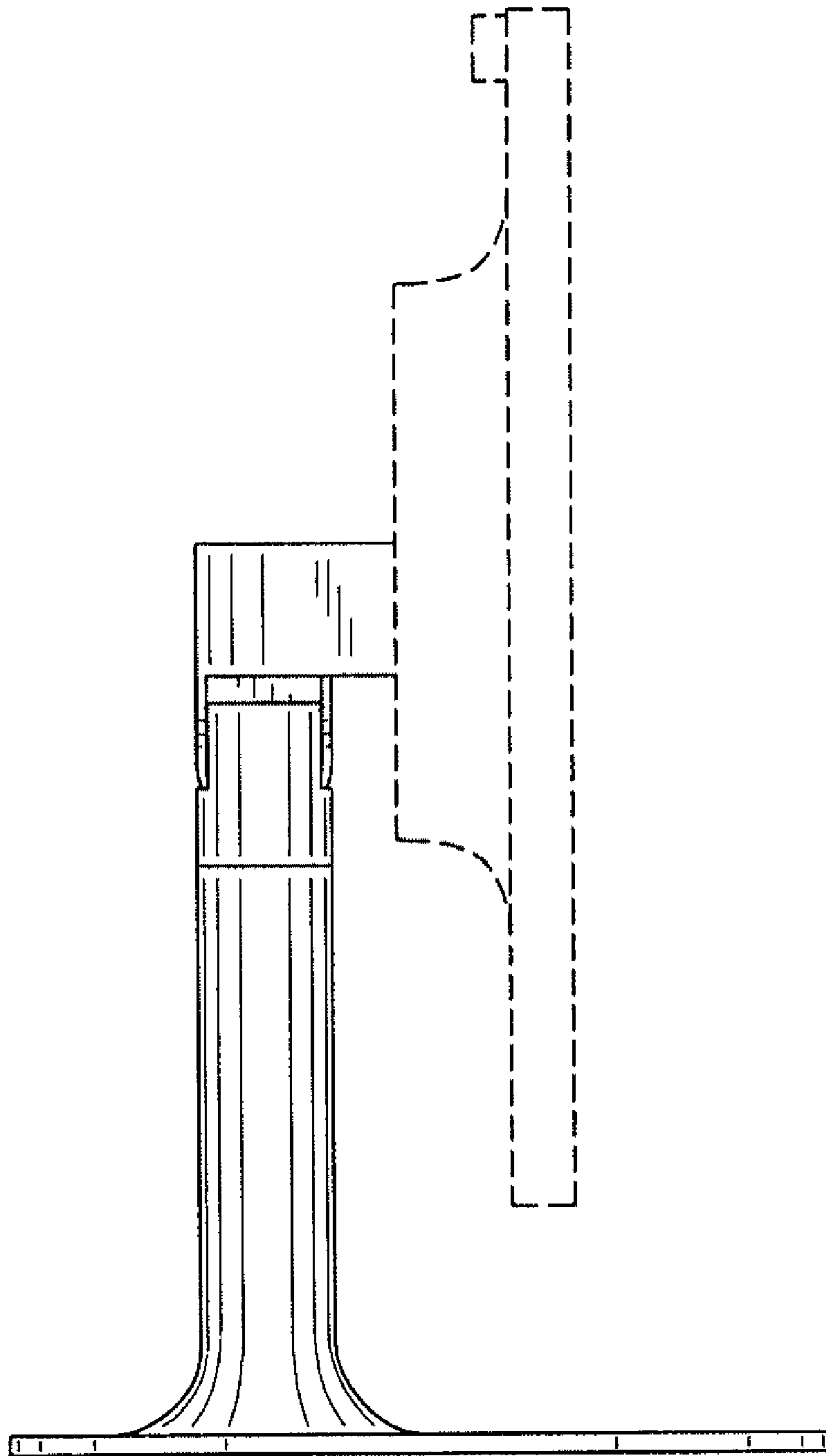


FIG. 5

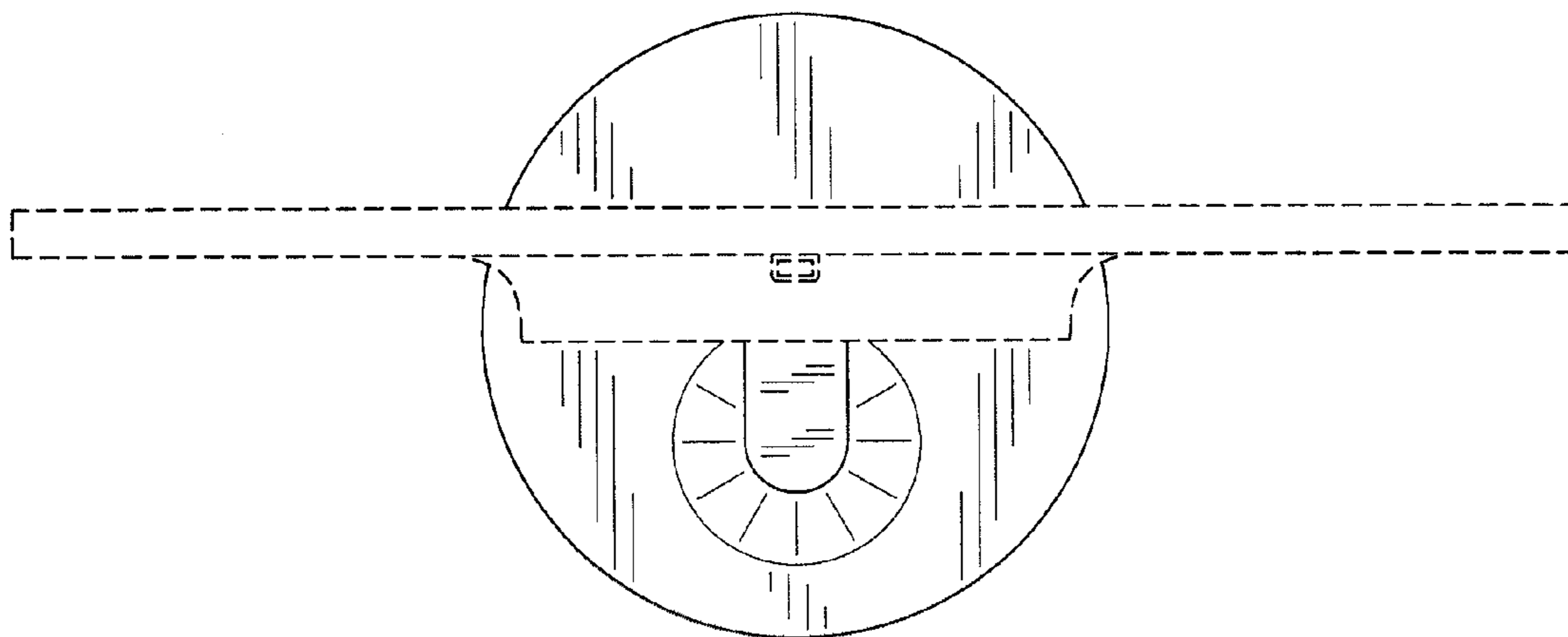


FIG. 6

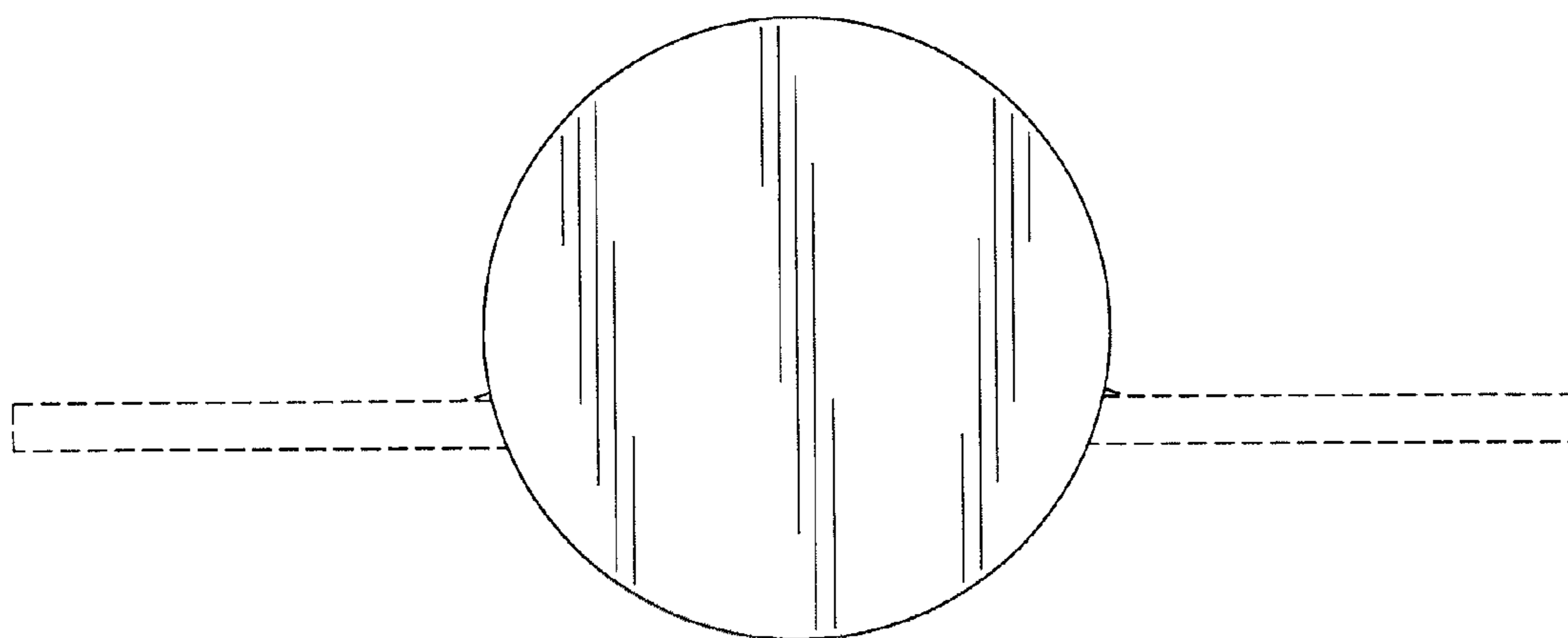


FIG. 7

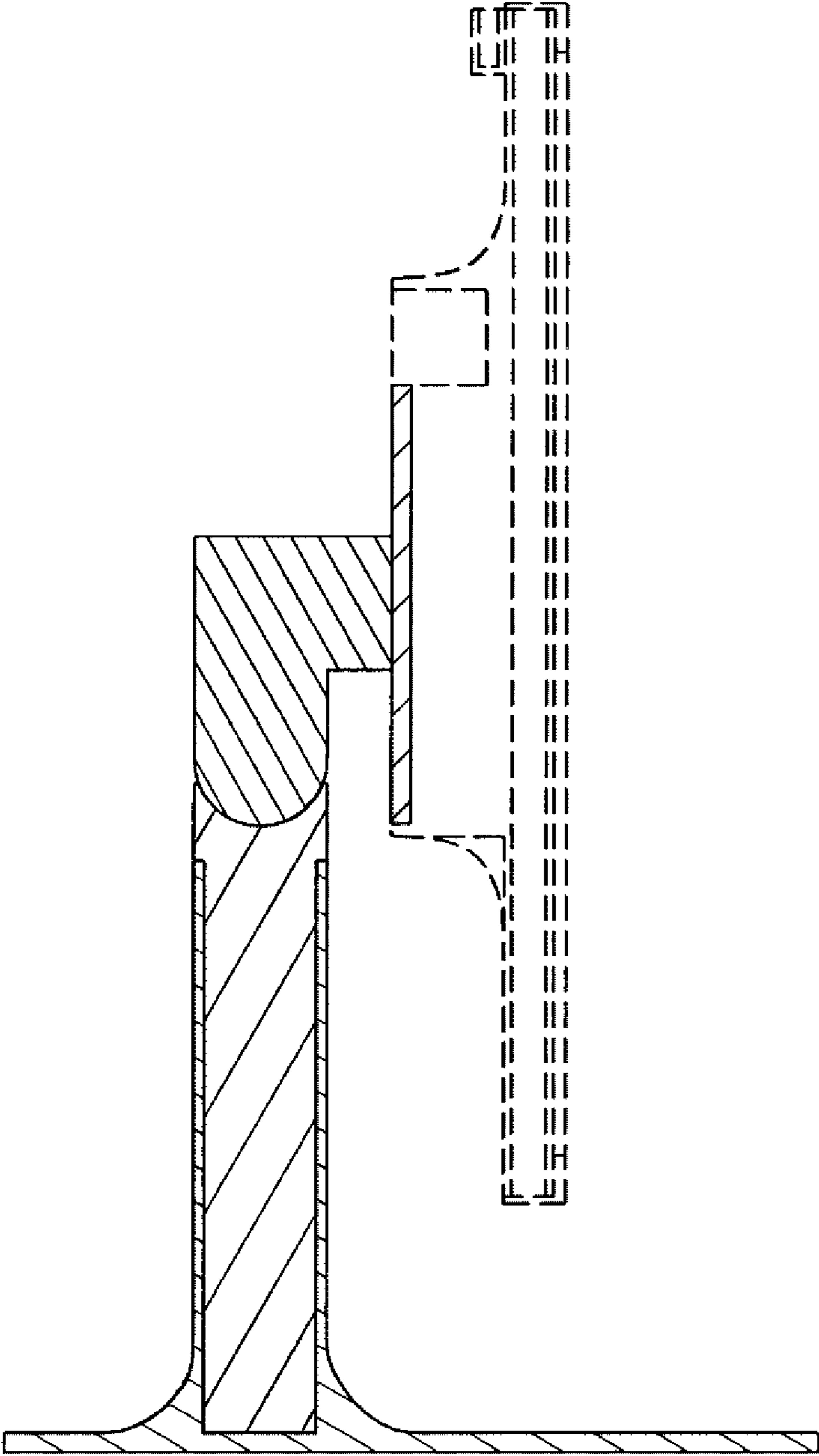


FIG. 8