



US00D638021S

(12) **United States Design Patent**
Derry

(10) **Patent No.:** **US D638,021 S**
(45) **Date of Patent:** **** May 17, 2011**

- (54) **FOLDING STAND**
- (75) Inventor: **Bradley A. Derry**, Easton, PA (US)
- (73) Assignee: **Innovative Office Products, Inc.**, Easton, PA (US)
- (**) Term: **14 Years**
- (21) Appl. No.: **29/381,825**
- (22) Filed: **Dec. 23, 2010**
- (51) **LOC (9) Cl.** **08-07**
- (52) **U.S. Cl.** **D14/447**
- (58) **Field of Classification Search** D14/447, D14/451, 452, 373, 374, 375, 376, 432, 434, D14/439, 448, 457, 126, 127, 129, 203.8, D14/217, 224, 224.1, 238.1, 239, 251, 253; D8/363, 373, 380; D6/406.1, 406.2, 406.3, D6/406.4, 406.5, 406.6, 429, 462; 248/917-924, 248/441.1, 443, 445, 446, 447, 447.1, 453, 248/454, 455, 460, 463, 465.1, 472, 131, 248/150, 155.2, 155.4, 166, 434, 188.6, 346.3, 248/324; 361/679.02, 679.04, 679.06, 679.07, 361/679.09, 679.21, 679.26, 679.27, 679.3, 361/679.55, 379.56; 379/454, 455; 312/223.3
See application file for complete search history.

6,113,040 A * 9/2000 Yu 248/166
(Continued)

FOREIGN PATENT DOCUMENTS
CN 201044064 Y 4/2008
(Continued)

OTHER PUBLICATIONS
Sven Rafferty, Cricket Laptop Stand Goes Where Ever You Go Easily, May 29, 2008, <http://svenontech.com/tag/pc/page/2/>, viewed on Feb. 4, 2011.*
(Continued)

Primary Examiner — Angela J Lee
(74) *Attorney, Agent, or Firm* — Design IP

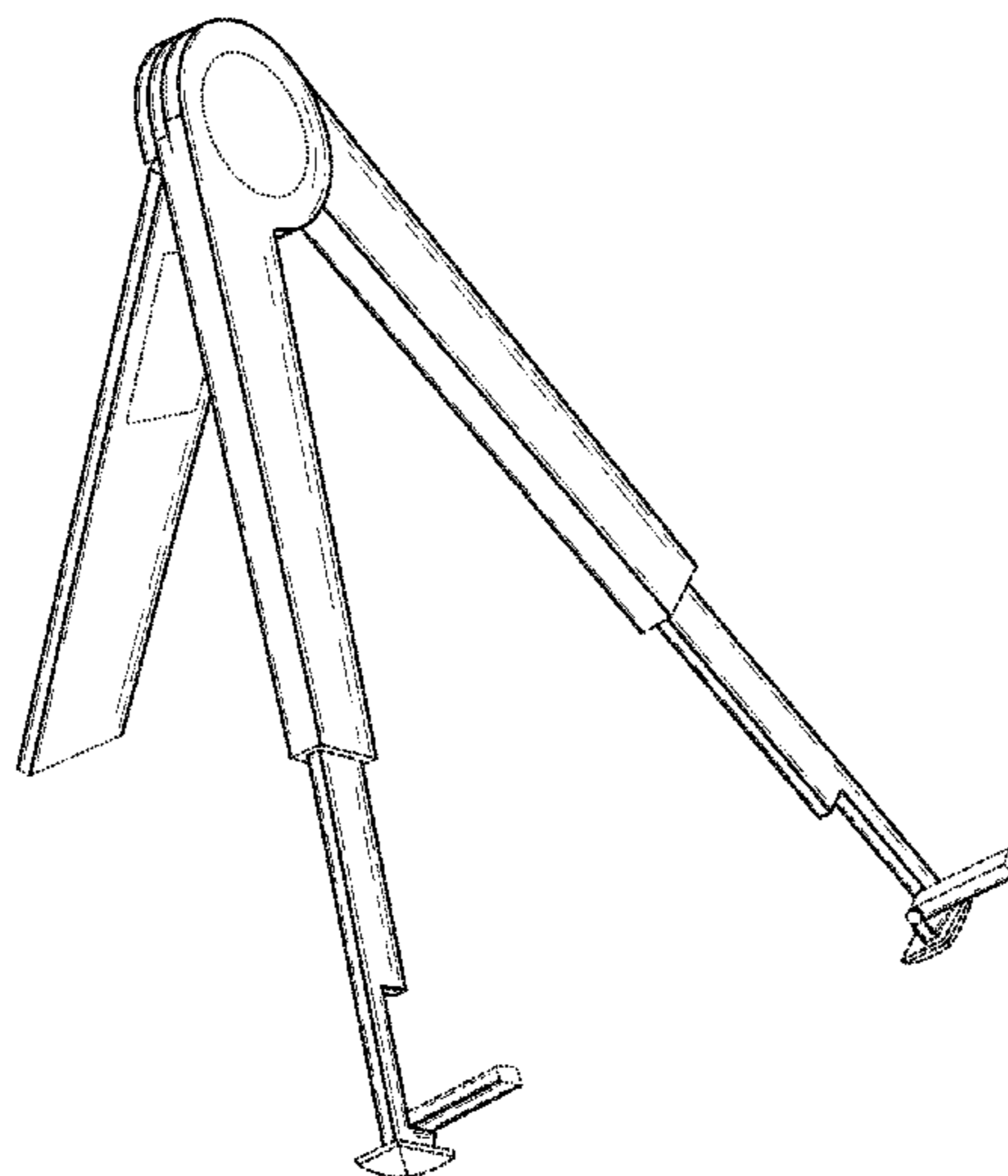
(57) **CLAIM**
The ornamental design for a folding stand, as shown and described.

DESCRIPTION

FIG. 1 is a front left perspective view of an open configuration of a folding stand showing our new design; FIG. 2 is a front view thereof; FIG. 3 is a rear view thereof; FIG. 4 is a right side view thereof; FIG. 5 is a left side view thereof; FIG. 6 is a top view thereof; and, FIG. 7 is a bottom view thereof. The dash-dot lines shown in FIGS. 1-7 represent boundary lines between claimed and unclaimed subject matter, with the dash-dot lines themselves representing claimed subject matter. The dotted lines in FIGS. 1-7 represent boundary lines between claimed and unclaimed subject matter, with the dotted lines themselves representing unclaimed subject matter. The dashed lines shown in FIGS. 1-7 are included for the purpose of illustrating environmental subject matter only and form no part of the claimed design.

- (56) **References Cited**
- U.S. PATENT DOCUMENTS
- 319,221 A 6/1885 Gallagheb
- 327,172 A 9/1885 Jacksojst
- 357,828 A 2/1887 Hoepfnee et al.
- 436,465 A 9/1890 Tucker
- 488,932 A 12/1892 Wolcott
- 538,554 A 4/1895 Siebeet
- 575,293 A 1/1897 Boggs et al.
- 594,253 A 11/1897 Hinton
- 620,941 A 3/1899 Lewis
- 5,383,634 A 1/1995 Liao
- 5,957,417 A * 9/1999 Yu 248/166
- 5,973,244 A 10/1999 McCulloch
- 6,017,012 A 1/2000 Henson

1 Claim, 7 Drawing Sheets



US D638,021 S

Page 2

U.S. PATENT DOCUMENTS

D457,351 S * 5/2002 Zerman et al. D6/462
D470,149 S * 2/2003 West D14/447
6,590,765 B2 7/2003 Crowley
D495,337 S * 8/2004 Zerman et al. D14/447
7,391,606 B2 * 6/2008 Chen et al. 361/679.27
D575,293 S * 8/2008 Derry et al. D14/447
D577,989 S * 10/2008 Ernst et al. D8/373
D610,587 S * 2/2010 Bandringa D14/447
7,712,719 B2 * 5/2010 Derry et al. 248/346.06
D620,941 S * 8/2010 Stacey et al. D14/447
2007/0007423 A1 * 1/2007 Wang 248/454
2010/0243854 A1 * 9/2010 Logue 248/453

FOREIGN PATENT DOCUMENTS

CN 101604187 A 12/2009
DE 19707072 B4 9/2009
WO 2009135402 A1 11/2009

OTHER PUBLICATIONS

Brochure for "Cricket" Portable Stand for Laptops and Table PCs
distributed by Innovative Office Products, Inc., 2010.
Screenshot of Grainger webpage, Nov. 13, 2010.
Screenshot of Thingiverse webpage, Nov. 13, 2010.

* cited by examiner

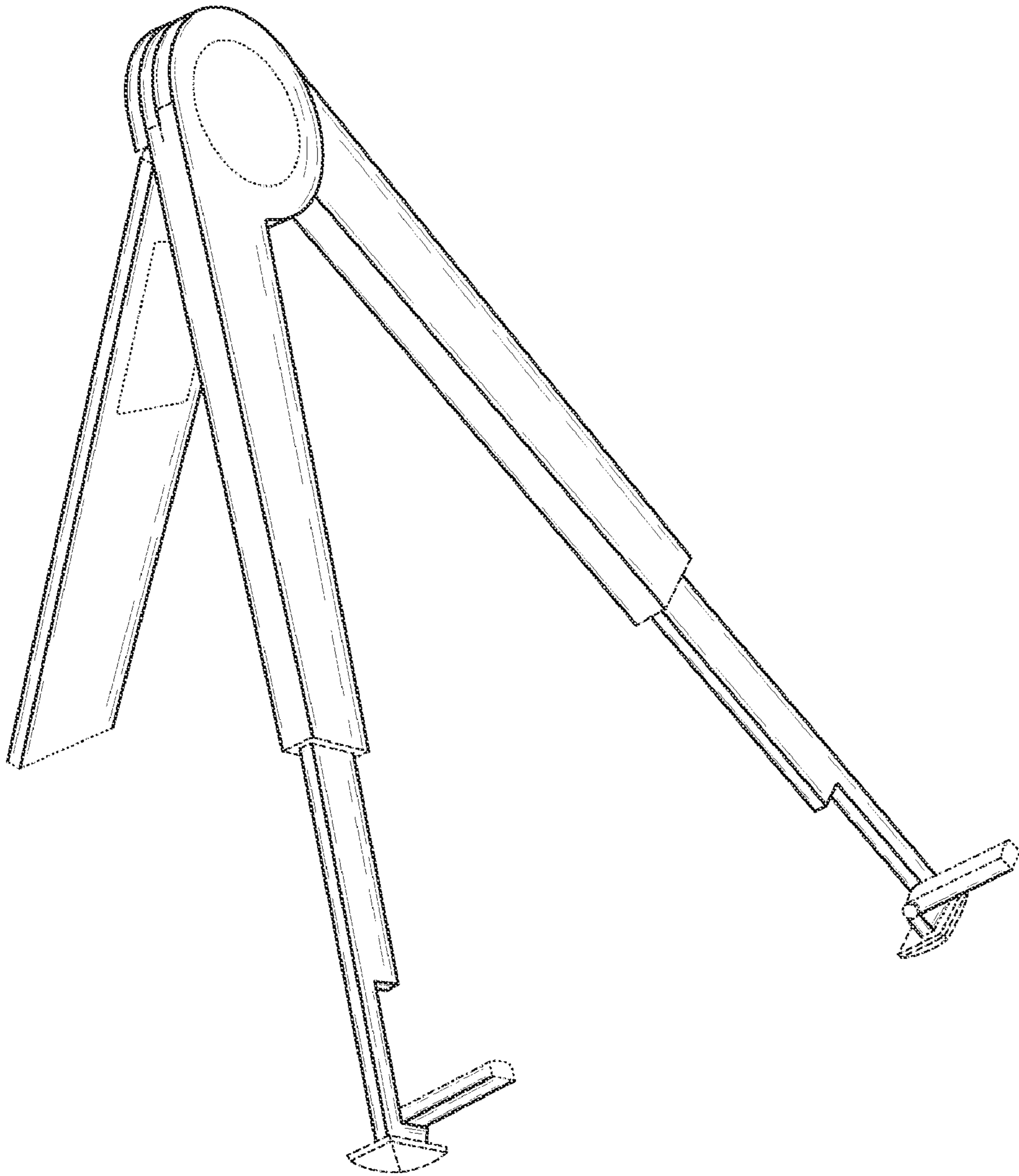


FIG. 1

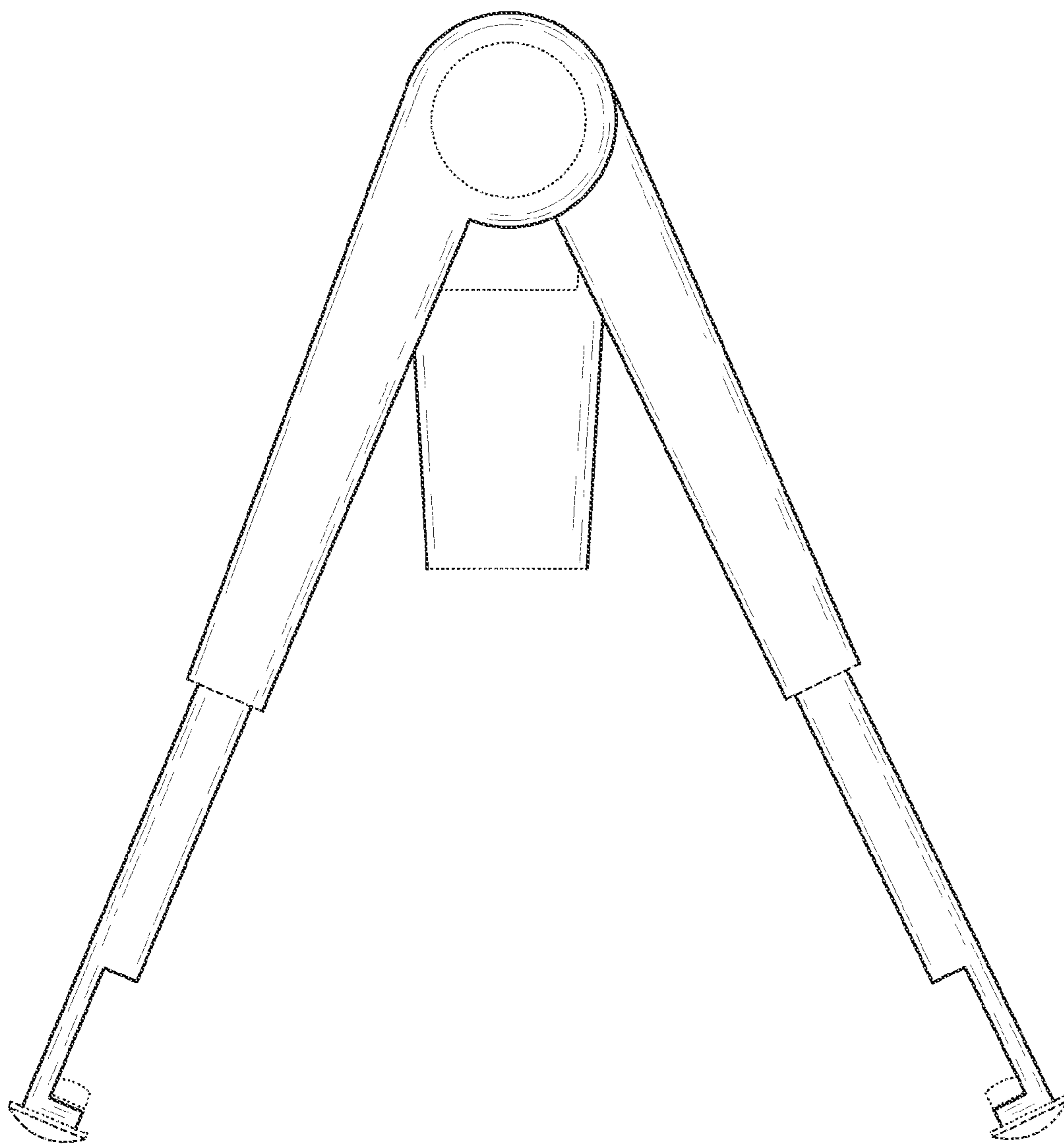


FIG. 2

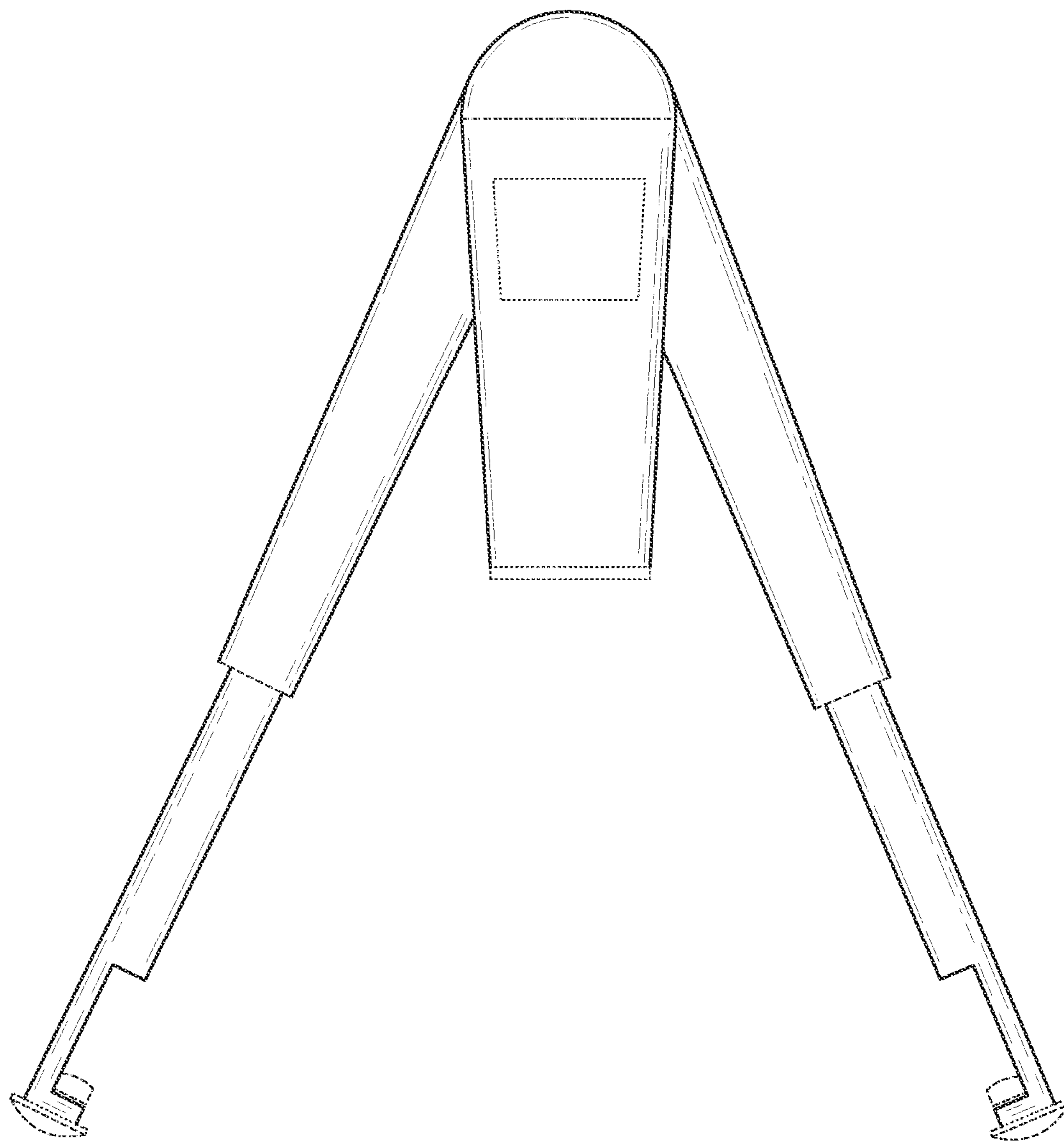


FIG. 3

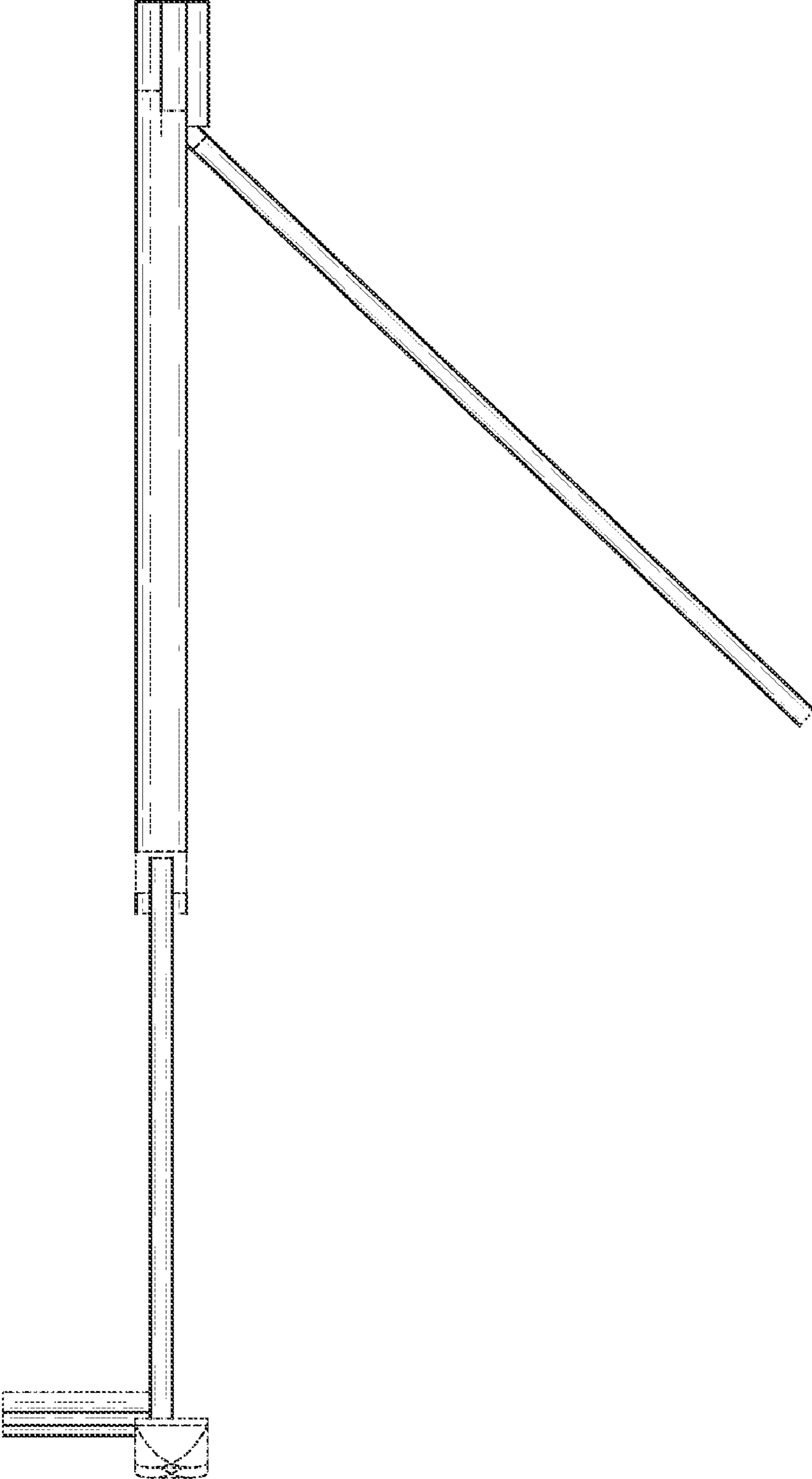


FIG. 4

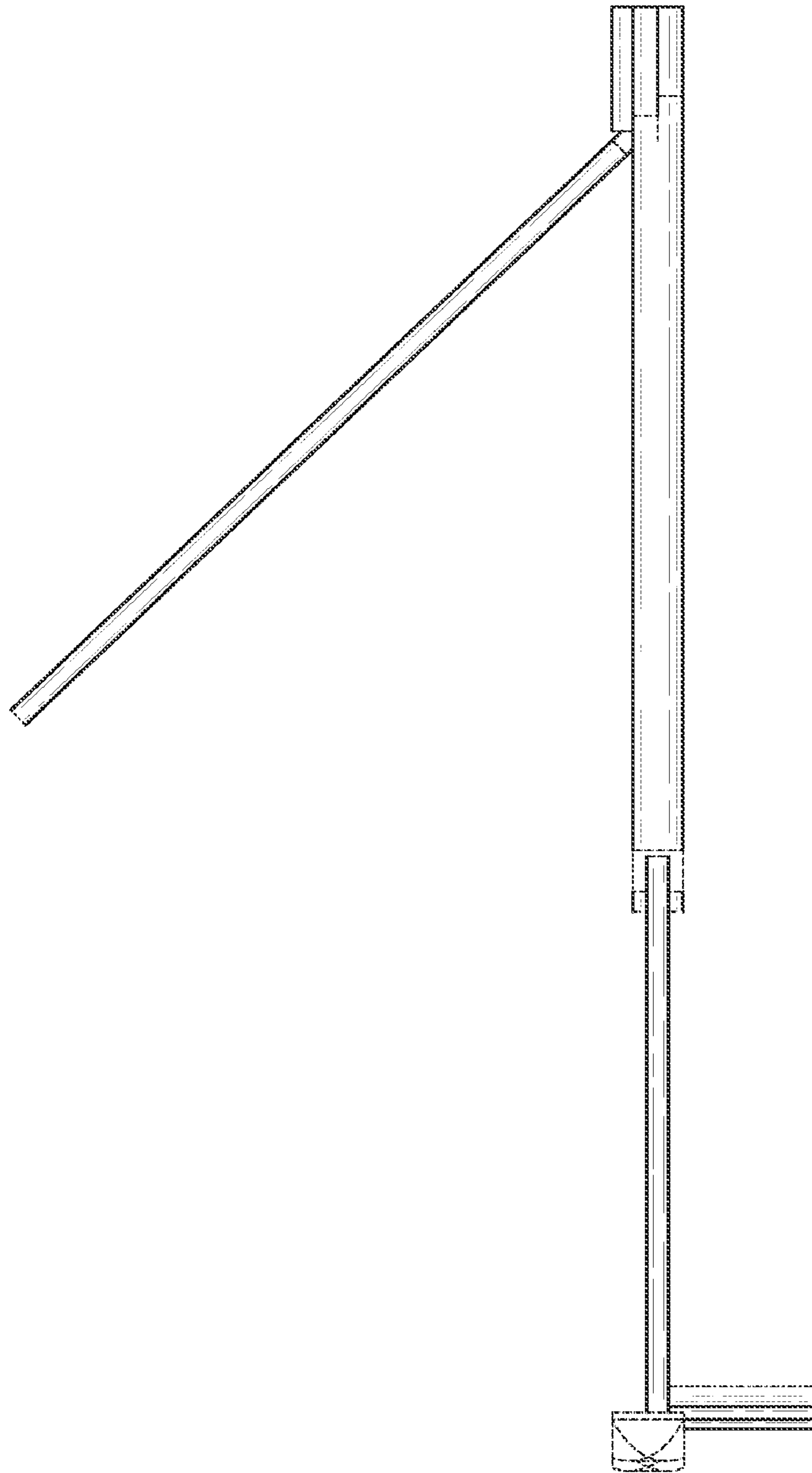


FIG. 5

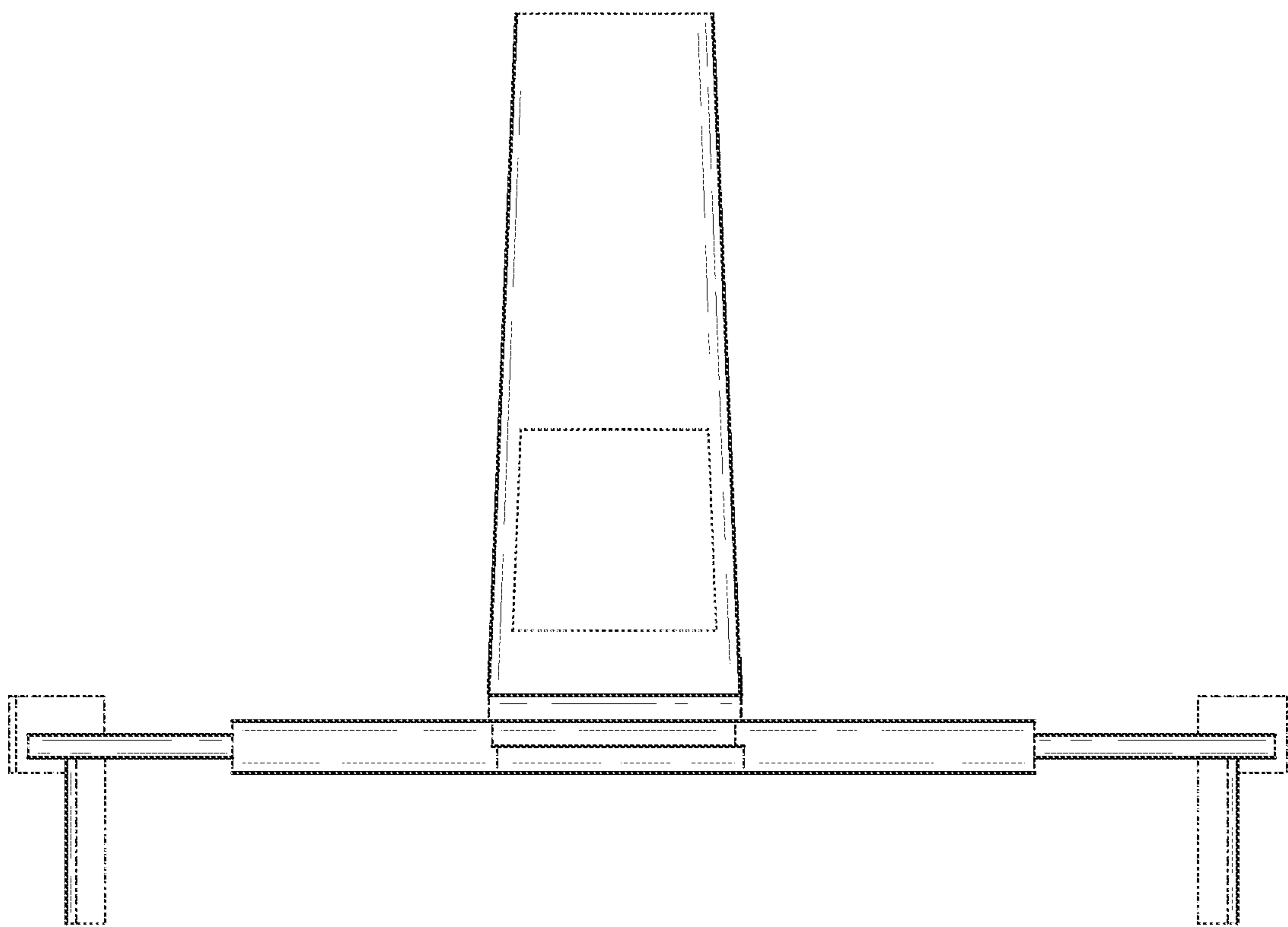


FIG. 6

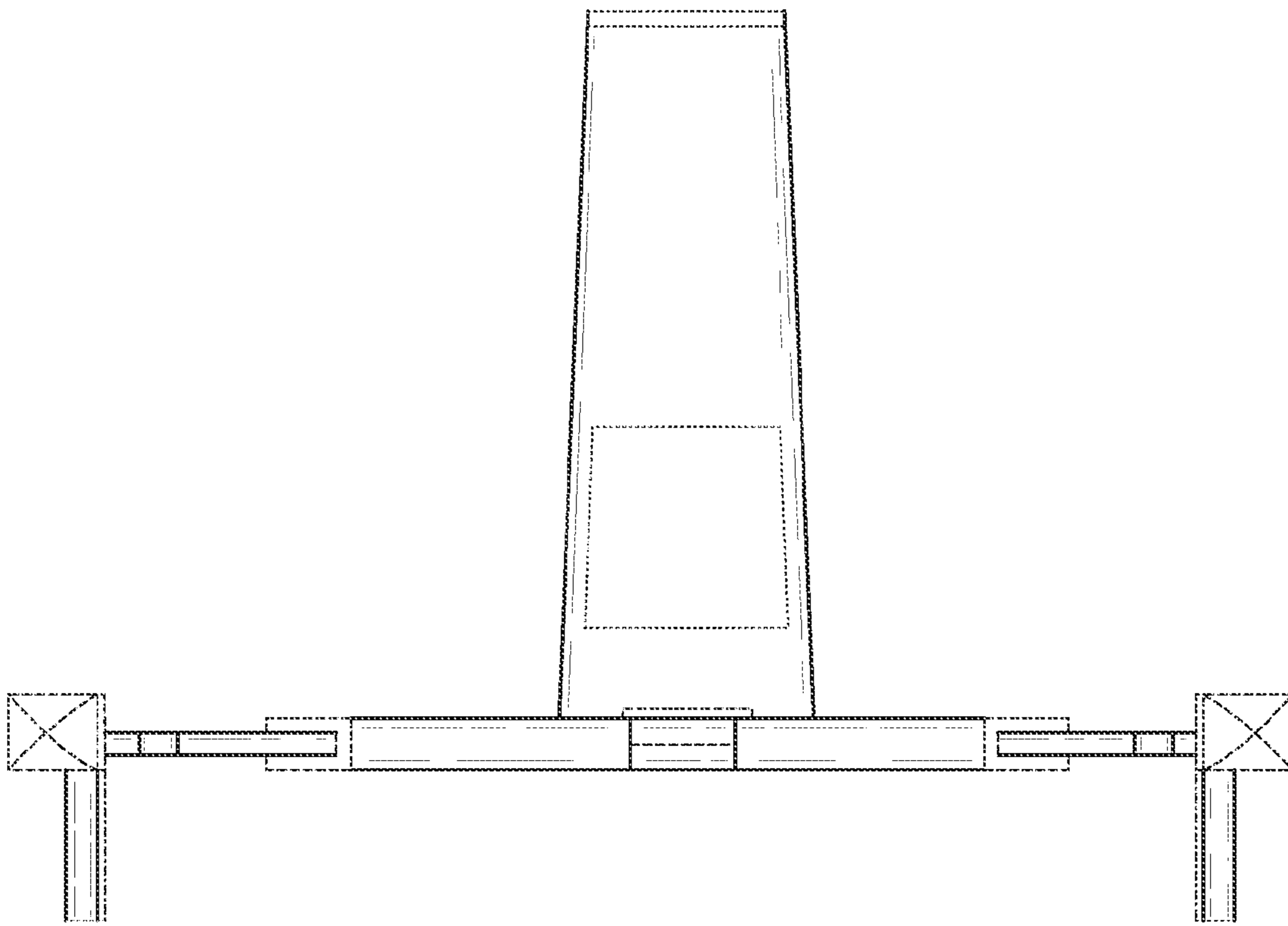


FIG. 7