



US00D638019S

(12) **United States Design Patent**
Weisshaupt

(10) **Patent No.:** **US D638,019 S**

(45) **Date of Patent:** **** May 17, 2011**

(54) **MEDIA PLAYER DOCK**

(75) Inventor: **Harald Armin Weisshaupt**, Wanchai (HK)

(73) Assignee: **ASI Holdings Limited**, Hong Kong (HK)

(**) Term: **14 Years**

(21) Appl. No.: **29/360,304**

(22) Filed: **Apr. 23, 2010**

(51) **LOC (9) Cl.** **14-02**

(52) **U.S. Cl.** **D14/434**

(58) **Field of Classification Search** D14/432-434,
D14/314, 204, 420, 421, 447, 217, 358; D13/108,
D13/146; D23/314, 328; 248/346.03, 176.1;
361/679.41, 679.31, 679.32, 679.4, 679.43;
70/58; D21/333; 320/112, 109; 348/375;
381/333; D8/373

See application file for complete search history.

(56) **References Cited**

U.S. PATENT DOCUMENTS

5,052,943 A * 10/1991 Davis 439/357
5,988,572 A * 11/1999 Chivallier et al. 248/176.1

D507,526 S * 7/2005 Ohta D13/108
D510,517 S * 10/2005 Noack D8/373
D520,013 S * 5/2006 Yang D14/434
7,079,384 B2 * 7/2006 Wang et al. 361/679.43
D544,487 S * 6/2007 Hussaini et al. D14/434
D606,545 S * 12/2009 Salmon D14/434

* cited by examiner

Primary Examiner — Freda S Nunn

(74) *Attorney, Agent, or Firm* — Galbreath Law Offices, P.C.; John A. Galbreath

(57) **CLAIM**

The ornamental design for a media player dock, as shown and described.

DESCRIPTION

FIG. 1 is a front view of media player dock showing my new design;

FIG. 2 is a back view thereof;

FIG. 3 is a left view thereof;

FIG. 4 is a right view thereof;

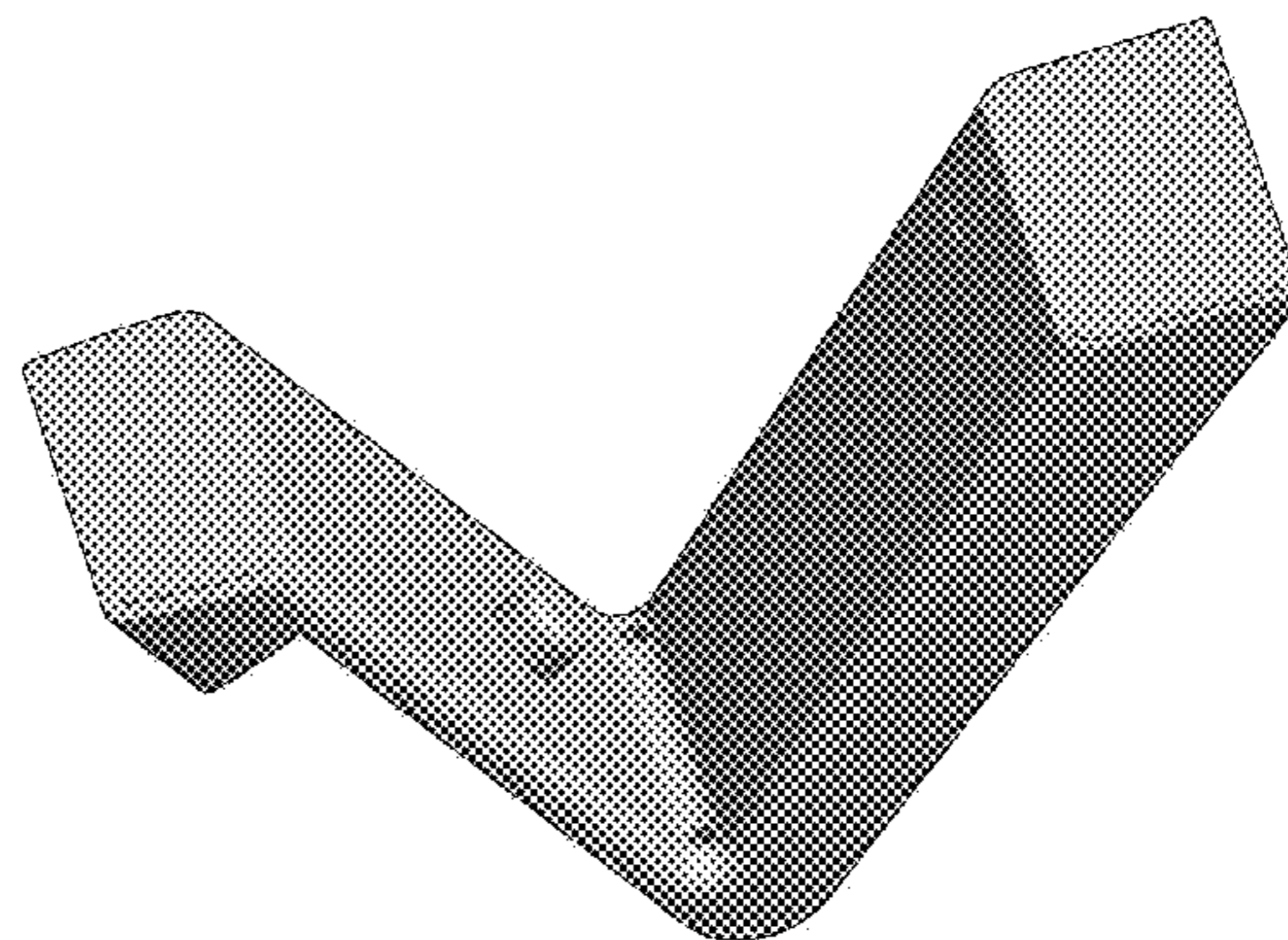
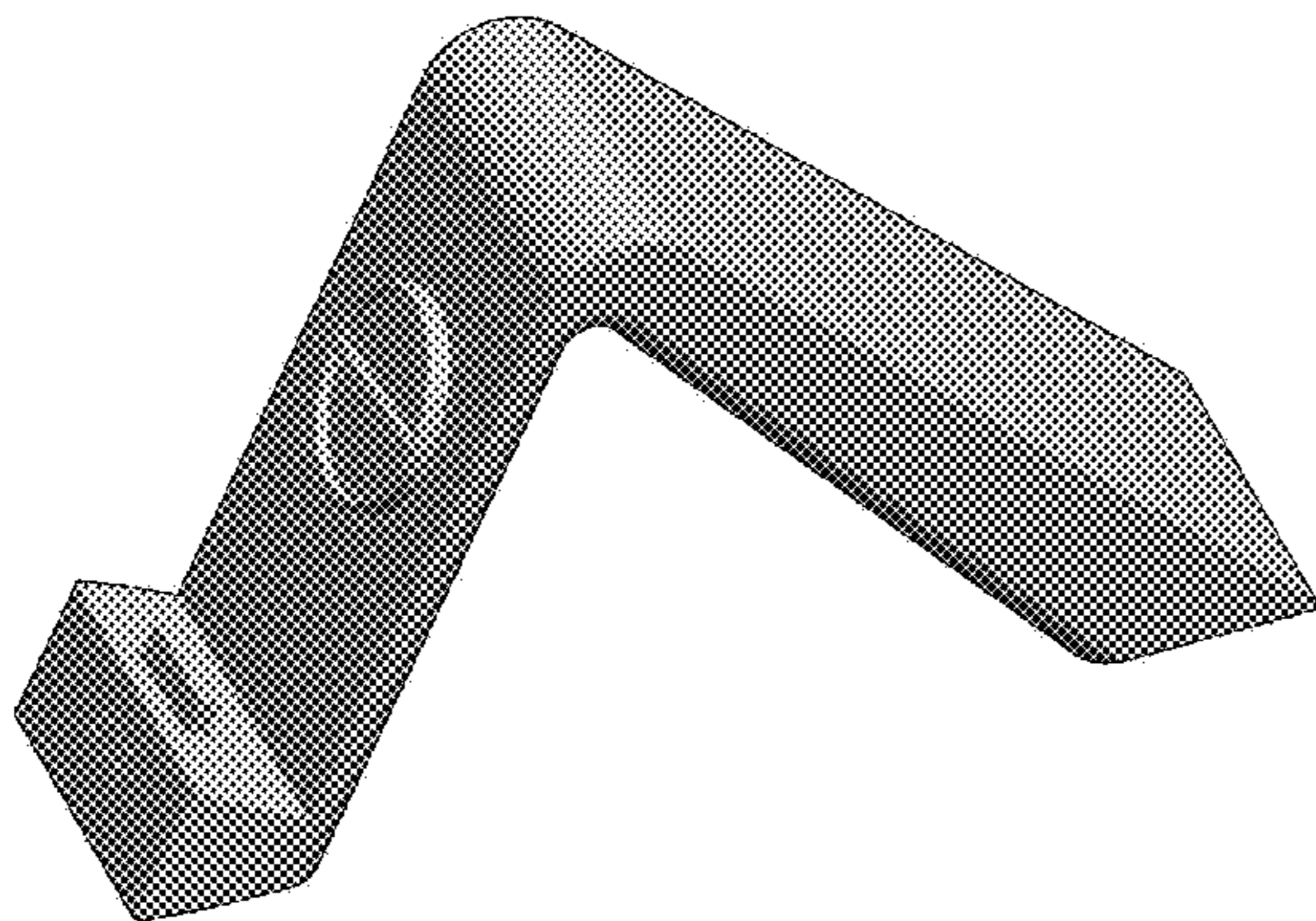
FIG. 5 is a top view thereof;

FIG. 6 is a bottom view thereof;

FIG. 7 is the first perspective view thereof; and,

FIG. 8 is the second perspective view thereof.

1 Claim, 4 Drawing Sheets



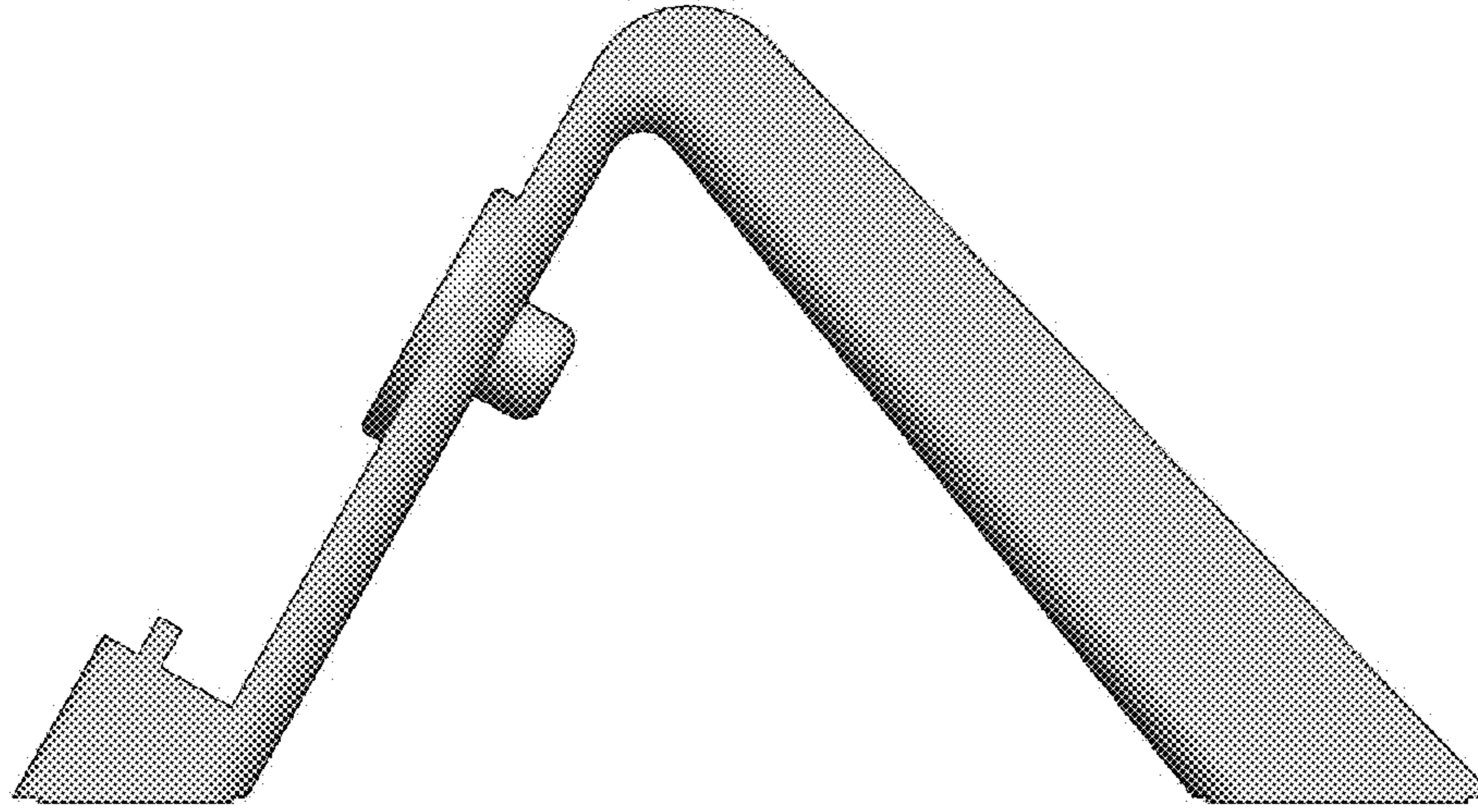


Fig. 1

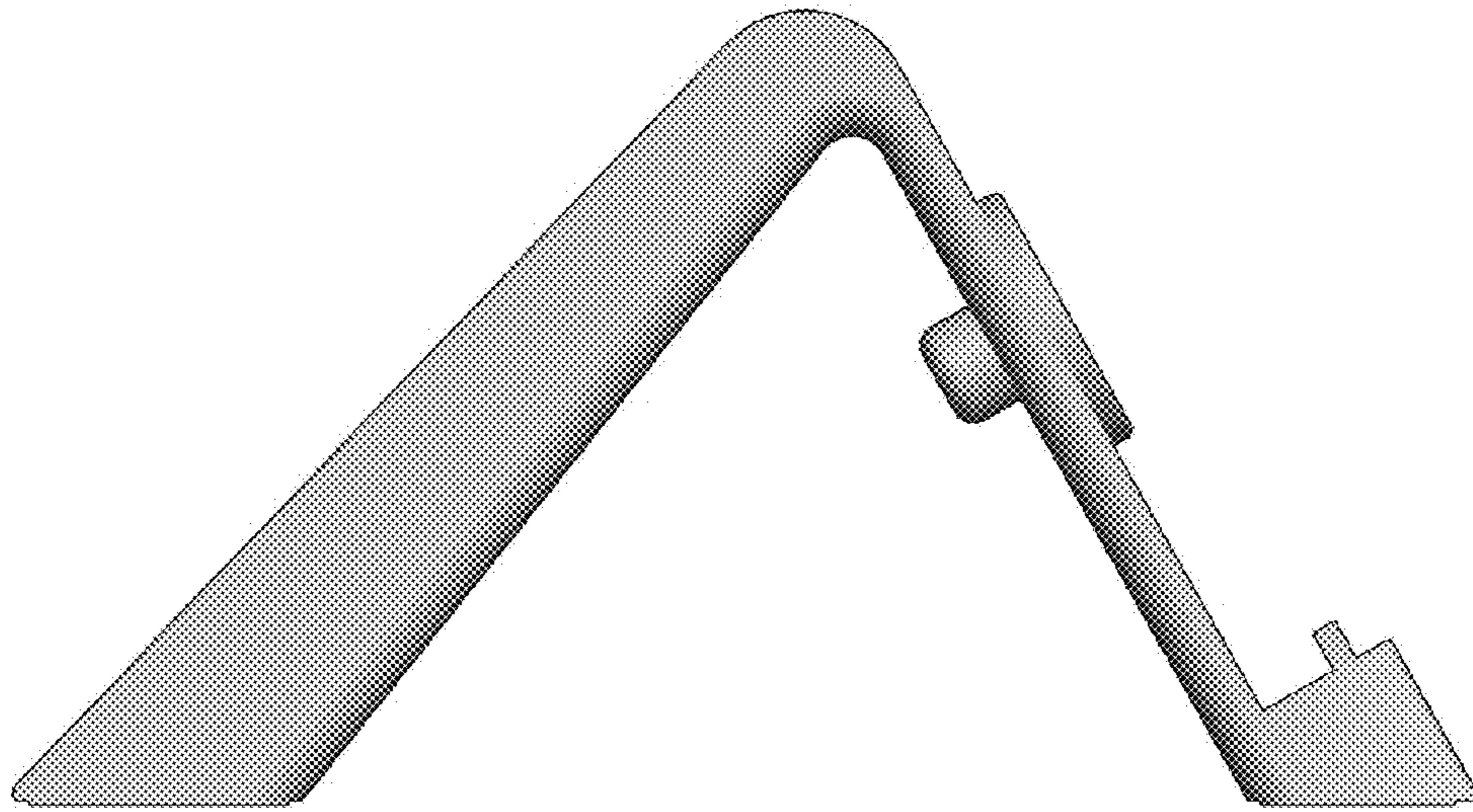


Fig. 2

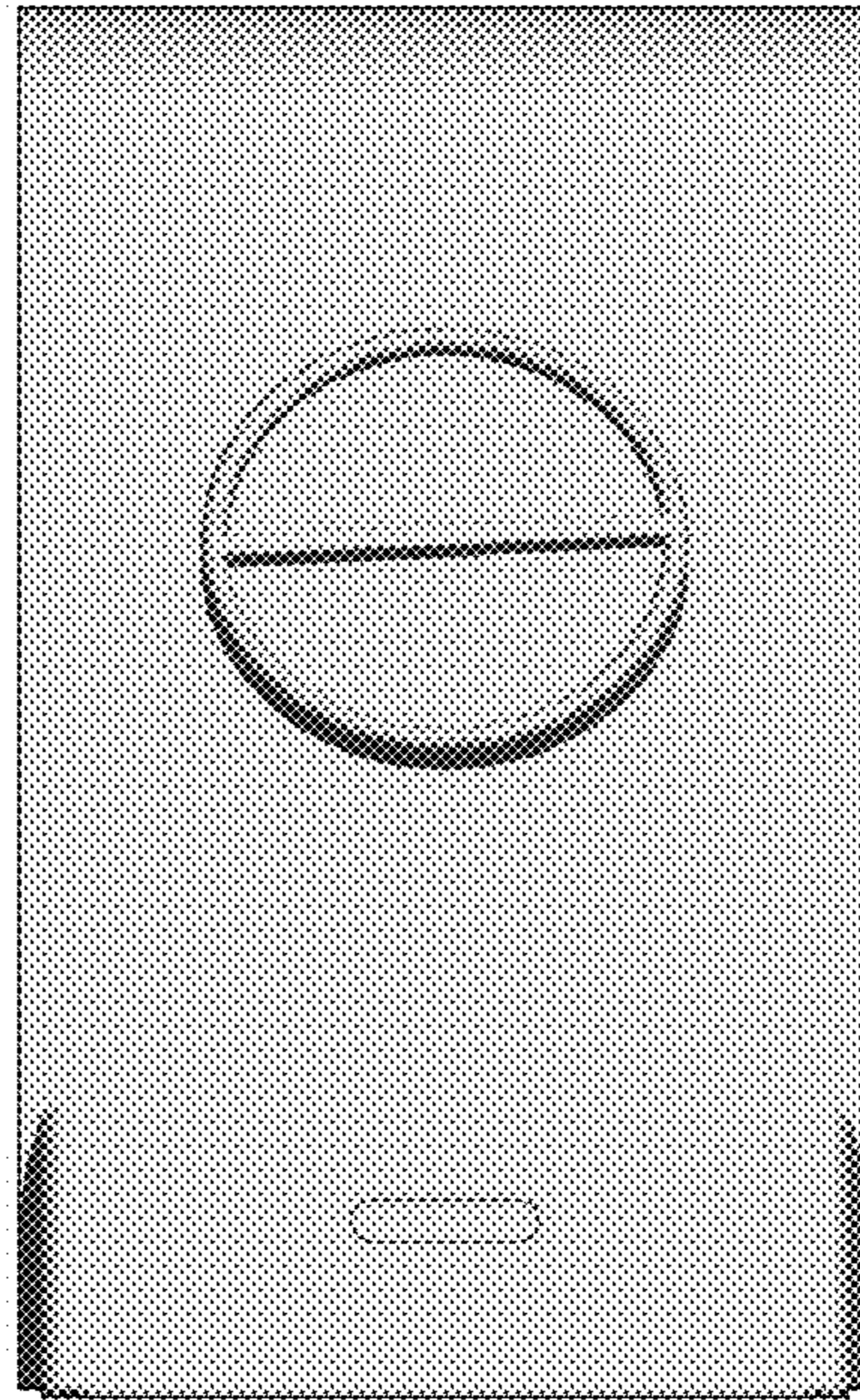


Fig. 3

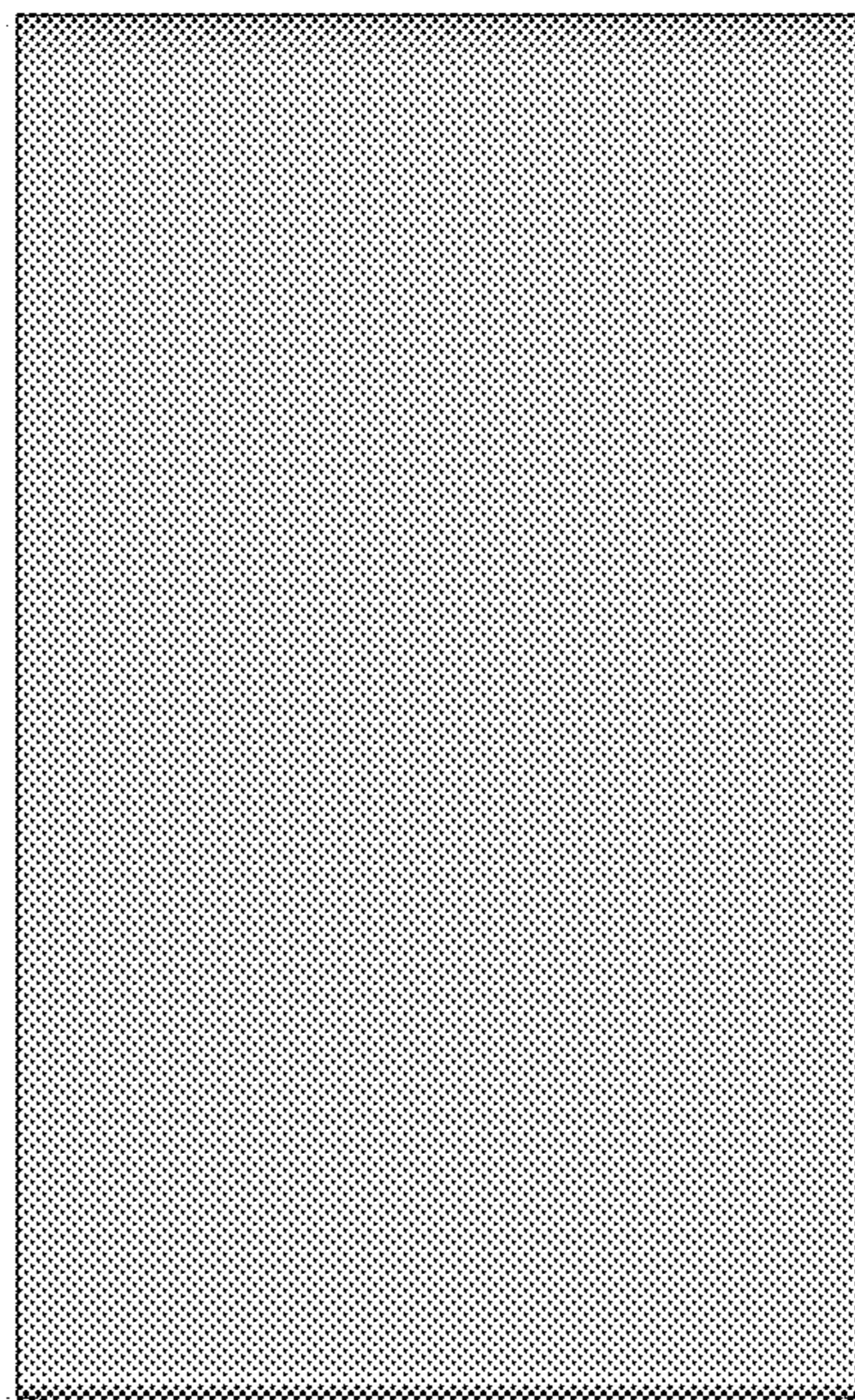


Fig. 4

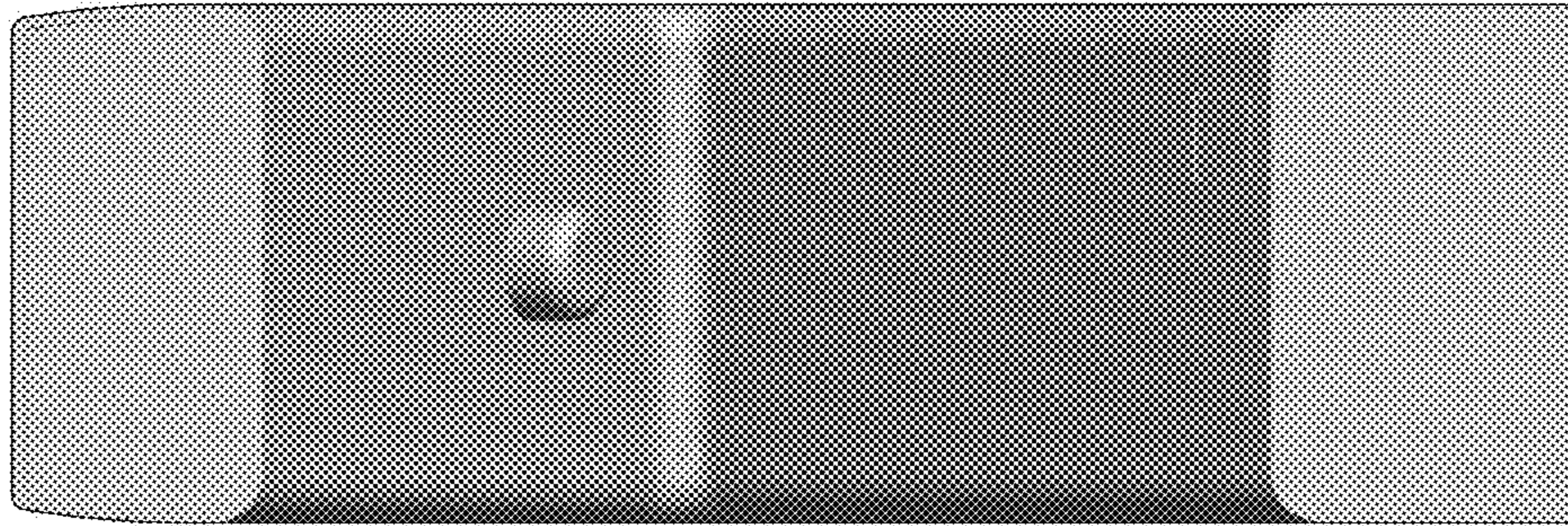


Fig. 5

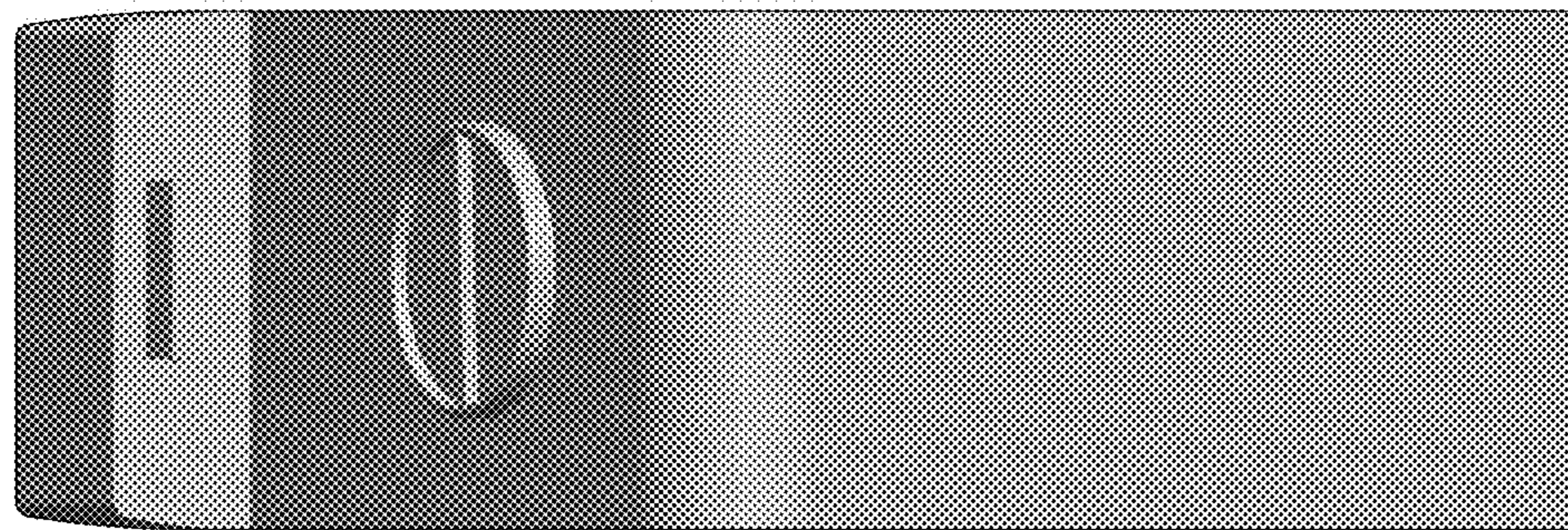


Fig. 6

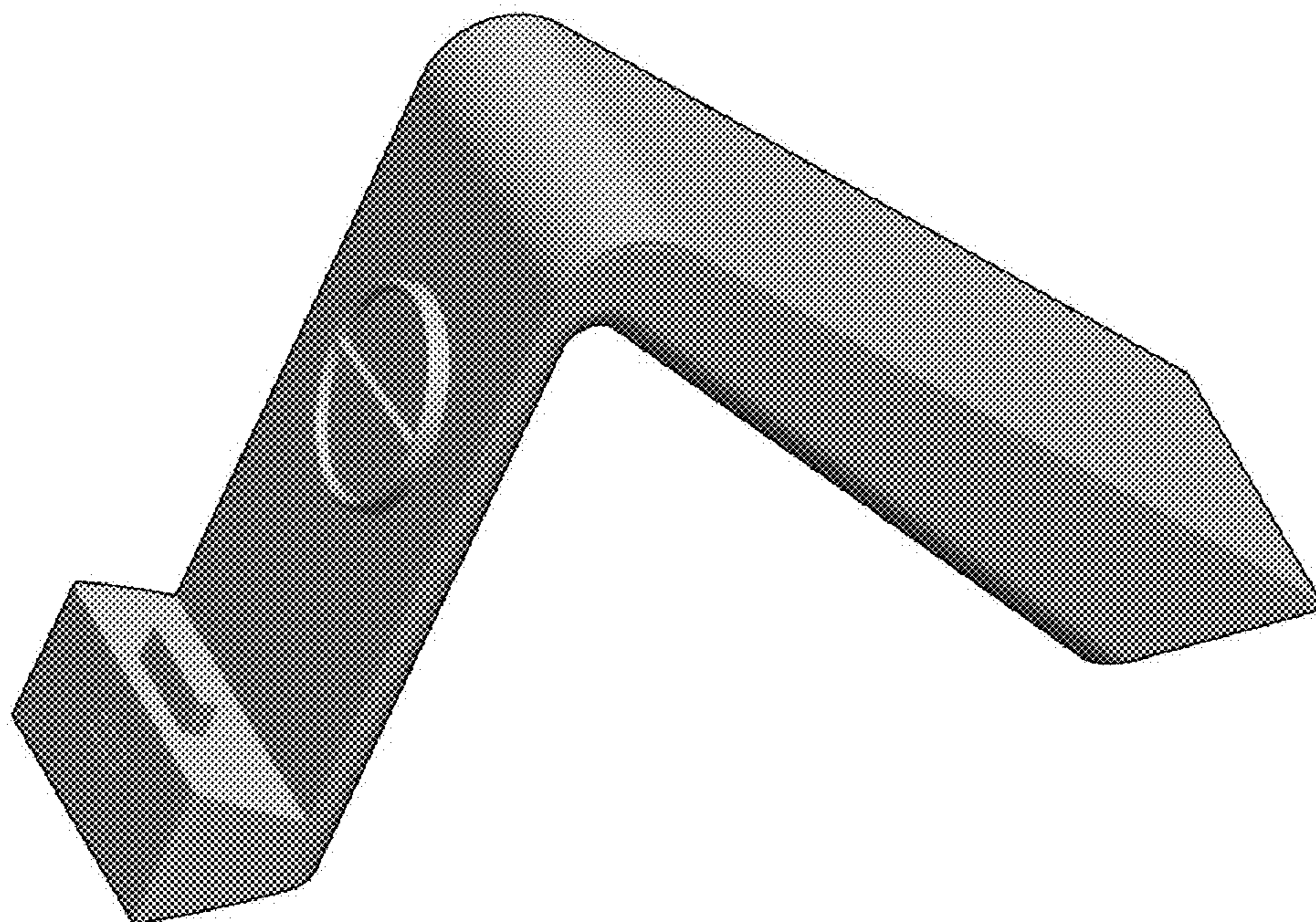


Fig. 7

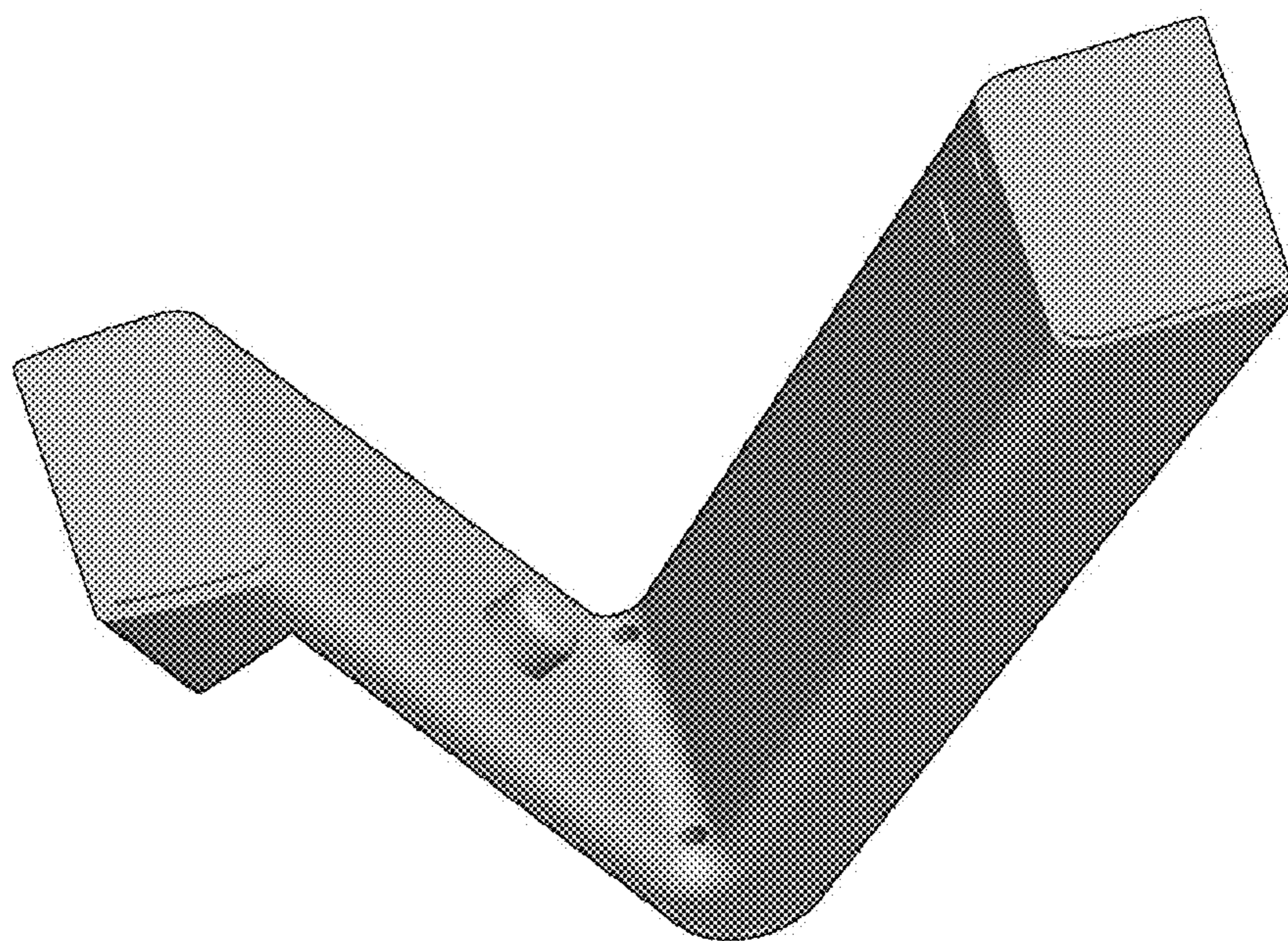


Fig. 8