



US00D638018S

(12) **United States Design Patent**  
**Kuroda et al.**

(10) **Patent No.:** **US D638,018 S**

(45) **Date of Patent:** **\*\* May 17, 2011**

(54) **SCANNER**

(75) Inventors: **Satoshi Kuroda**, Kahoku (JP); **Hiroyuki Kuroda**, Kahoku (JP); **Minoru Sugitani**, Kahoku (JP); **Toshiki Satoji**, Milan (IT); **Alvise Gangarossa**, Milan (IT)

(73) Assignee: **PFU Limited**, Kahoku-shi (JP)

(\*\*) Term: **14 Years**

(21) Appl. No.: **29/364,512**

(22) Filed: **Jun. 24, 2010**

(30) **Foreign Application Priority Data**

Apr. 7, 2010 (JP) ..... 2010-008729

(51) **LOC (9) Cl.** ..... **14-02**

(52) **U.S. Cl.** ..... **D14/422; D14/453**

(58) **Field of Classification Search** ..... D14/420-425, D14/462-470, 389, 125, 399; D18/50, 54, D18/55, 53, 36-39, 14, 18-21, 49, 52, 51, D18/54.4; 358/400, 401, 448, 474, 486-488, 358/496; 382/312, 317, 321, 315; 400/613, 400/613.1-613.4, 690.1-690.4, 691-694, 400/88, 175; 399/107, 379, 380, 211, 212; 235/462.11, 462.41, 472.01, 470, 462.43; 361/680, 681

See application file for complete search history.

(56) **References Cited**

**U.S. PATENT DOCUMENTS**

D35,254 S *	11/1901	Faber	.....	D10/71
D195,010 S *	4/1963	Reick	.....	D18/40
D201,300 S *	6/1965	Seely, Jr.	.....	D10/71
D208,294 S *	8/1967	Dallaire	.....	D25/119
D248,243 S *	6/1978	South	.....	D25/119
D272,429 S *	1/1984	Trombley et al.	.....	D12/190
D284,565 S *	7/1986	Trombley et al.	.....	D12/190
D289,780 S *	5/1987	Kenney	.....	D20/44
D289,891 S *	5/1987	Bielby	.....	D12/190

D292,990 S *	12/1987	Eliasson	.....	D19/32
D297,465 S *	8/1988	Nally et al.	.....	D25/119
D300,918 S *	5/1989	Turner	.....	D12/190
D308,506 S *	6/1990	Nozel et al.	.....	D12/190
D308,696 S *	6/1990	Tanizawa et al.	.....	D18/40
D310,539 S *	9/1990	Komada et al.	.....	D18/40
D311,756 S *	10/1990	Growth et al.	.....	D19/32
D314,212 S *	1/1991	Komada et al.	.....	D18/40
D316,869 S *	5/1991	Sugawara et al.	.....	
D361,402 S *	8/1995	Herst et al.	.....	D26/152
D362,014 S *	9/1995	Ishibashi et al.	.....	D18/43
D366,900 S *	2/1996	Pangburn et al.	.....	
D373,595 S *	9/1996	Askren et al.	.....	
D375,119 S *	10/1996	Pangburn	.....	
D378,525 S *	3/1997	Ito	.....	D18/40
D378,829 S *	4/1997	Aoyama et al.	.....	D18/40
D382,256 S *	8/1997	Lin	.....	
D388,182 S *	12/1997	Payton et al.	.....	D25/121
D401,617 S *	11/1998	Miyazawa	.....	D18/40
D401,965 S *	12/1998	Pangburn	.....	
D402,686 S *	12/1998	Miyazawa	.....	D18/40
5,878,306 A *	3/1999	Michlin	.....	399/106
D414,508 S *	9/1999	Pangburn	.....	
D420,663 S *	2/2000	Goldenberg et al.	.....	
D421,768 S *	3/2000	Blair et al.	.....	

(Continued)

*Primary Examiner* — Susan Moon Lee

(74) *Attorney, Agent, or Firm* — RatnerPrestia

(57) **CLAIM**

The ornamental design for a scanner, as shown and described.

**DESCRIPTION**

FIG. 1 is a front perspective view of a scanner showing our new design;

FIG. 2 is a front view thereof;

FIG. 3 is a left side view thereof;

FIG. 4 is a right side view thereof;

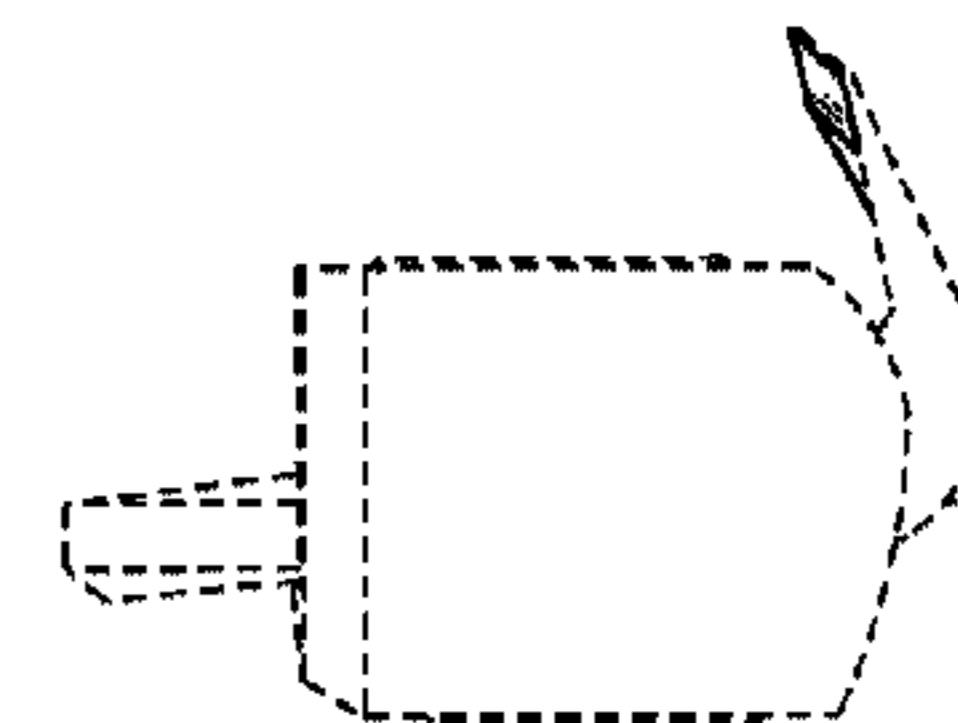
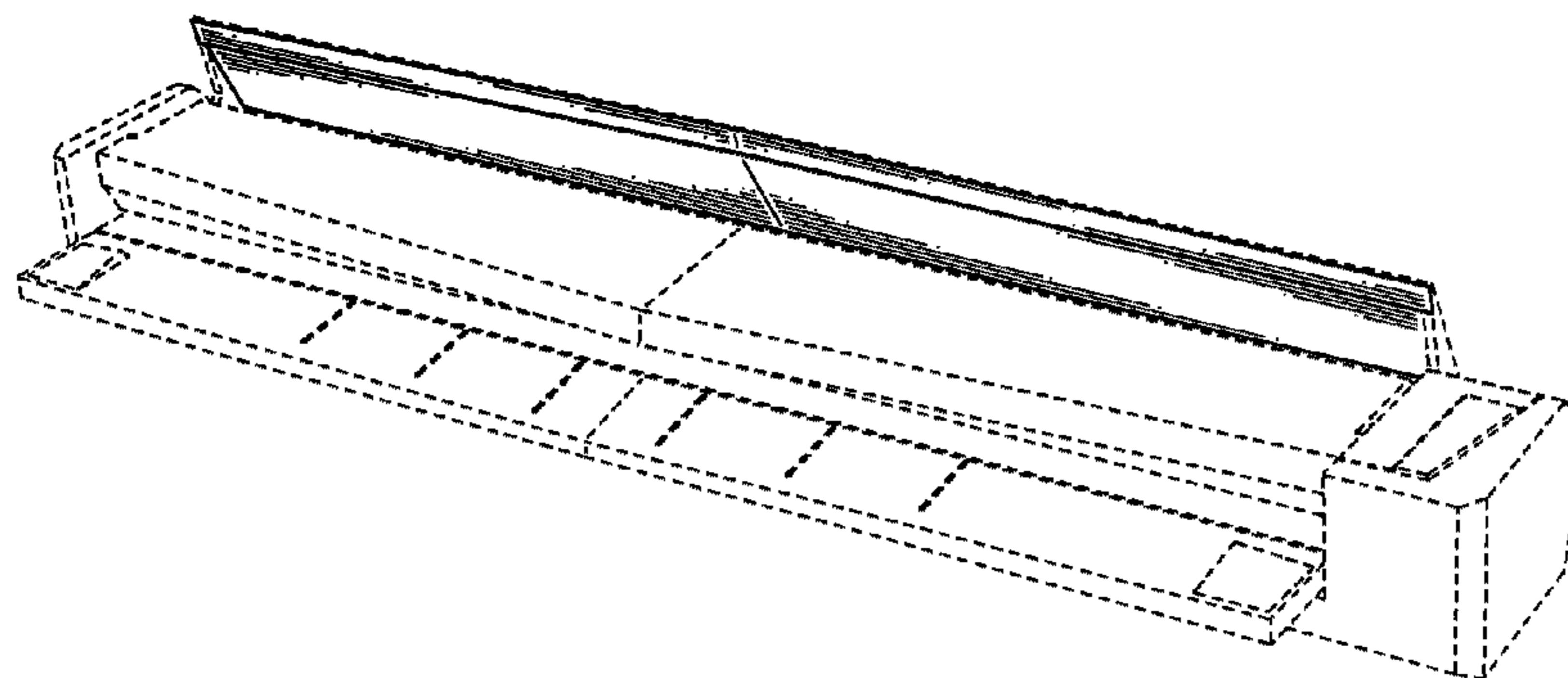
FIG. 5 is an enlarged fragmentary front perspective thereof;

FIG. 6 is a rear view thereof; and,

FIG. 7 is a bottom plan view thereof.

The broken lines are environmental only and form no part of the claimed design.

**1 Claim, 2 Drawing Sheets**



# US D638,018 S

Page 2

## U.S. PATENT DOCUMENTS

D422,570 S	4/2000	Kobayashi	
D423,563 S	4/2000	Collins et al.	
D424,099 S	5/2000	Pangburn	
D424,608 S *	5/2000	Yorifuji et al.	D18/40
D432,565 S	10/2000	Gassett et al.	
D433,443 S	11/2000	Ito et al.	
D435,266 S	12/2000	Sekine et al.	
D435,267 S	12/2000	Beck et al.	
D438,891 S *	3/2001	Hoshino et al.	D18/40
D438,895 S	3/2001	Pangburn	
D439,183 S *	3/2001	Diller, Jr.	D10/109
D439,607 S	3/2001	Inoue et al.	
6,231,043 B1	5/2001	James, III et al.	
D447,511 S *	9/2001	Kimura et al.	D18/40
D452,706 S	1/2002	Senshiki	
D454,583 S	3/2002	Whitby et al.	
D463,485 S	9/2002	Yoshida et al.	
D465,515 S	11/2002	Hwang et al.	
D466,552 S	12/2002	Hwang et al.	
D466,920 S	12/2002	Kawahara et al.	
D467,265 S *	12/2002	Suzuki et al.	D18/40
D468,333 S *	1/2003	Fenton	D16/203
D469,551 S *	1/2003	Mobius	D26/28
D470,172 S	2/2003	Tatara et al.	
D471,583 S *	3/2003	Okabe et al.	D18/40
6,540,219 B1	4/2003	Naruse et al.	
D474,770 S	5/2003	Chujou et al.	
6,557,992 B1	5/2003	Dwyer et al.	
6,568,674 B2	5/2003	Matsuda	
D478,119 S	8/2003	Hwang et al.	
D480,752 S	10/2003	Tatara et al.	
D483,059 S	12/2003	Goh et al.	
D483,060 S	12/2003	Wong et al.	
D483,061 S	12/2003	Wong	
6,676,318 B2	1/2004	Hwang et al.	
D486,178 S	2/2004	Wong et al.	
6,707,584 B1	3/2004	Morita	
D489,401 S	5/2004	Senshiki et al.	
D492,958 S *	7/2004	Karakama et al.	D18/40
D492,960 S	7/2004	Takizawa	
D493,245 S *	7/2004	Delson	D26/78
D496,395 S *	9/2004	Miyagawa	D18/40
6,786,665 B2	9/2004	Hwang et al.	
D497,940 S	11/2004	Hwang et al.	
6,848,685 B2	2/2005	Katsuyama	
6,899,422 B2	5/2005	Strowe et al.	
6,899,474 B2	5/2005	Uchida et al.	
6,962,412 B2	11/2005	Koike et al.	
D514,161 S	1/2006	Wong et al.	
6,991,331 B2	1/2006	Kagami et al.	
7,029,113 B2	4/2006	Hwang	
D521,545 S *	5/2006	Ishii et al.	D18/40
D523,469 S	6/2006	Hwang et al.	
D523,894 S *	6/2006	Ishii et al.	D18/40
D524,851 S	7/2006	Wong et al.	
D532,544 S *	11/2006	Woertler	D26/80
D533,897 S	12/2006	Workman et al.	
D534,204 S	12/2006	Workman et al.	
D536,731 S	2/2007	Tate et al.	
D543,583 S	5/2007	Workman et al.	
D545,891 S	7/2007	Ramos et al.	
D549,705 S	8/2007	Sugitani et al.	
7,265,869 B2	9/2007	Silverbrook et al.	
7,290,952 B2	11/2007	Kagami	
D559,893 S *	1/2008	Kouroku et al.	D18/40
D563,413 S	3/2008	Kuroda et al.	
D564,519 S	3/2008	Genatossio et al.	
D571,934 S *	6/2008	Stokes et al.	D25/136
7,431,447 B2	10/2008	Jensen	
D601,754 S *	10/2009	Keene	D28/47
D605,103 S *	12/2009	Schuephaus et al.	D12/345
D629,128 S *	12/2010	Lim et al.	D25/138
2003/0030712 A1	2/2003	Kawaguchi et al.	
2003/0206762 A1	11/2003	Hwang et al.	
2004/0004642 A1	1/2004	Koike et al.	
2004/0207144 A1	10/2004	Kanome et al.	

\* cited by examiner

Fig.1

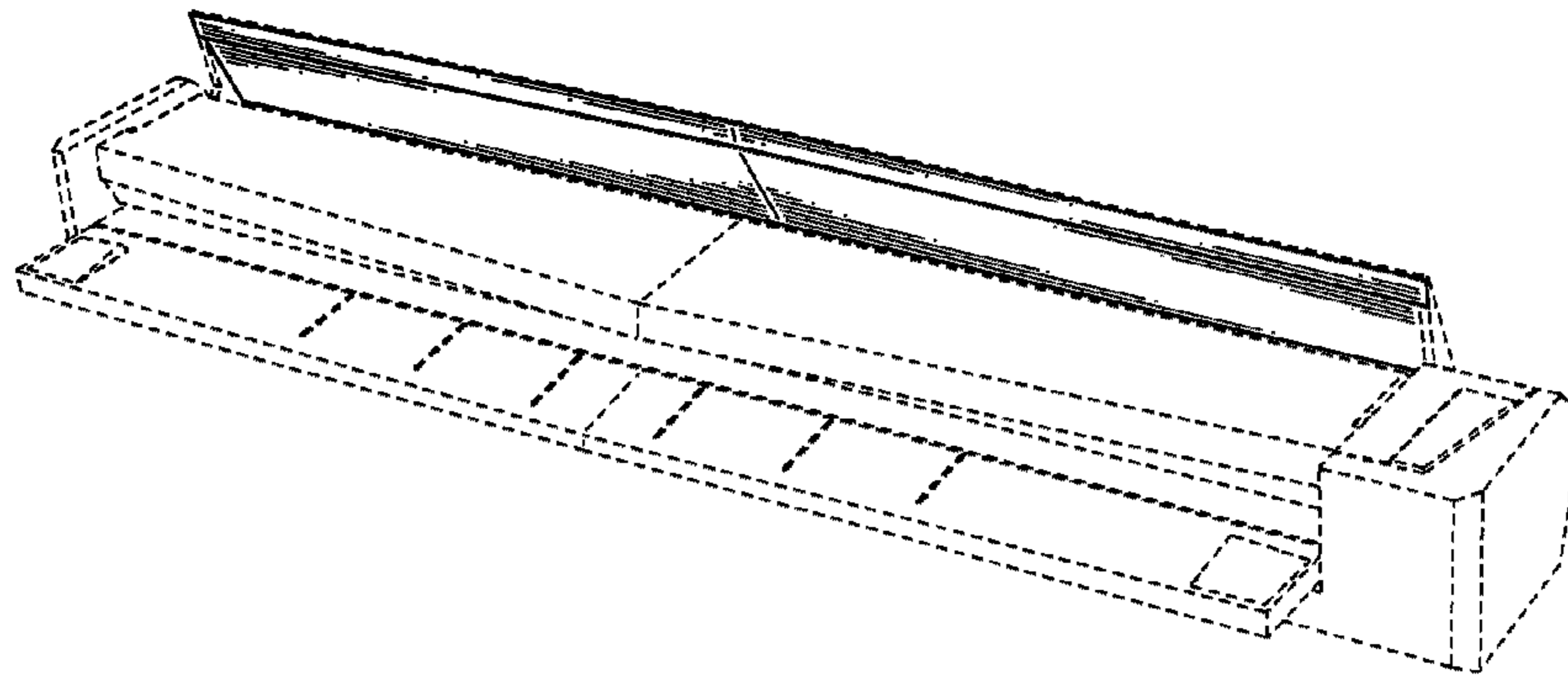


Fig.2

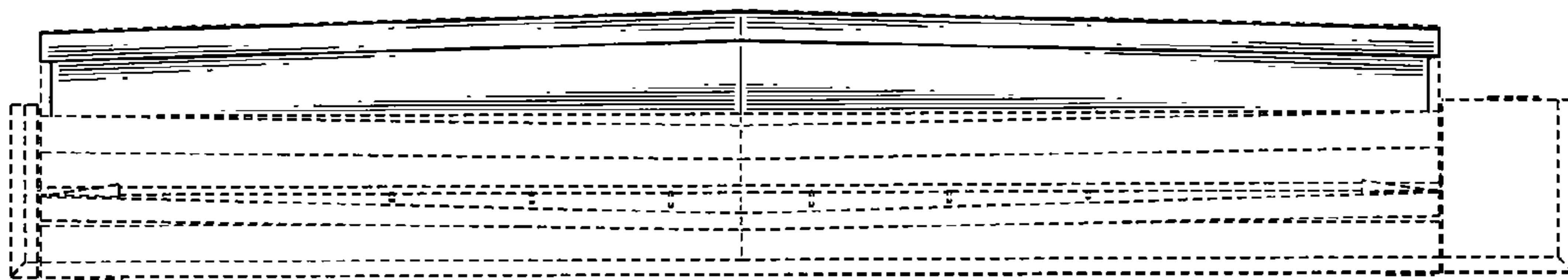


Fig.3

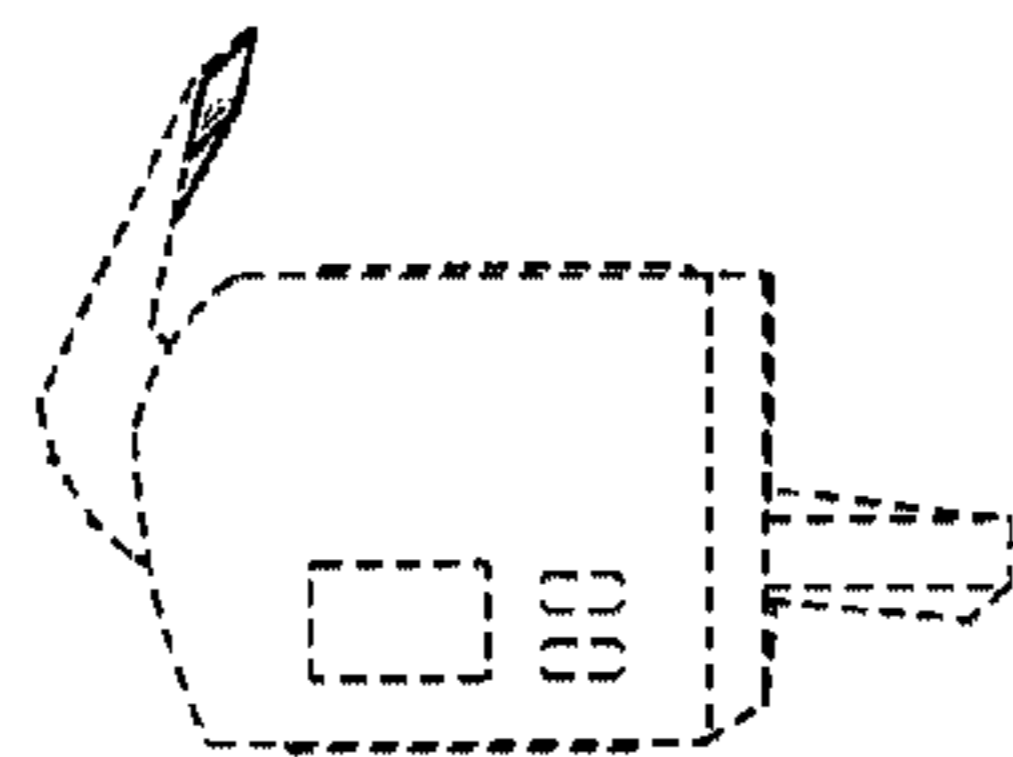


Fig.4

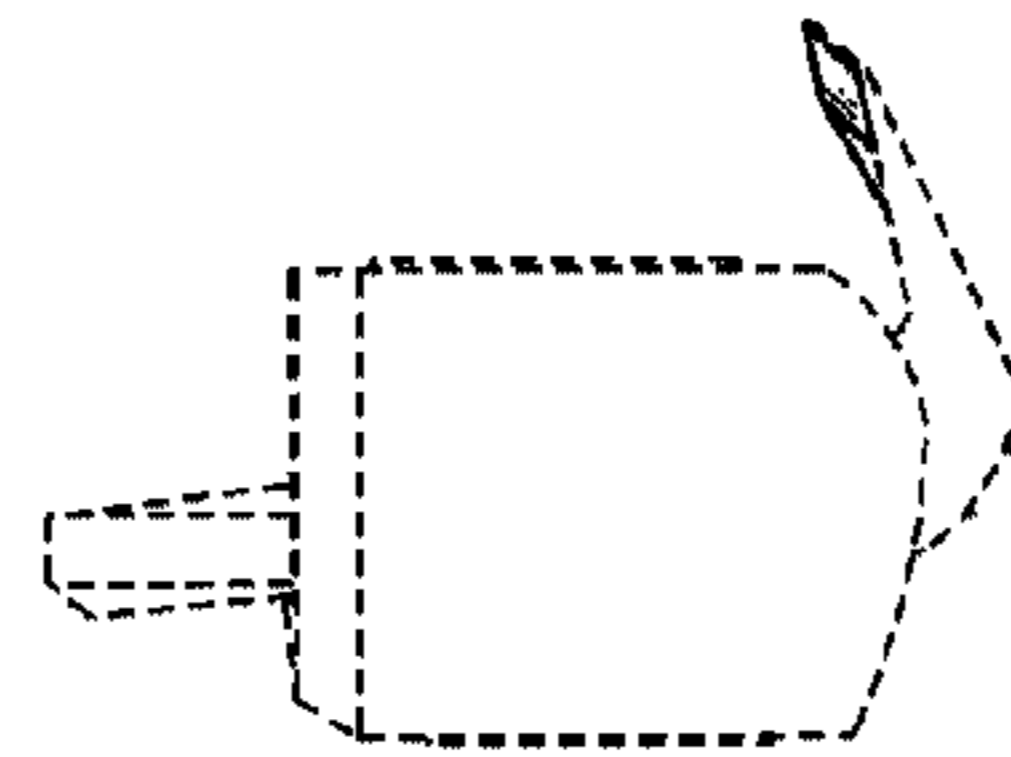




Fig.5

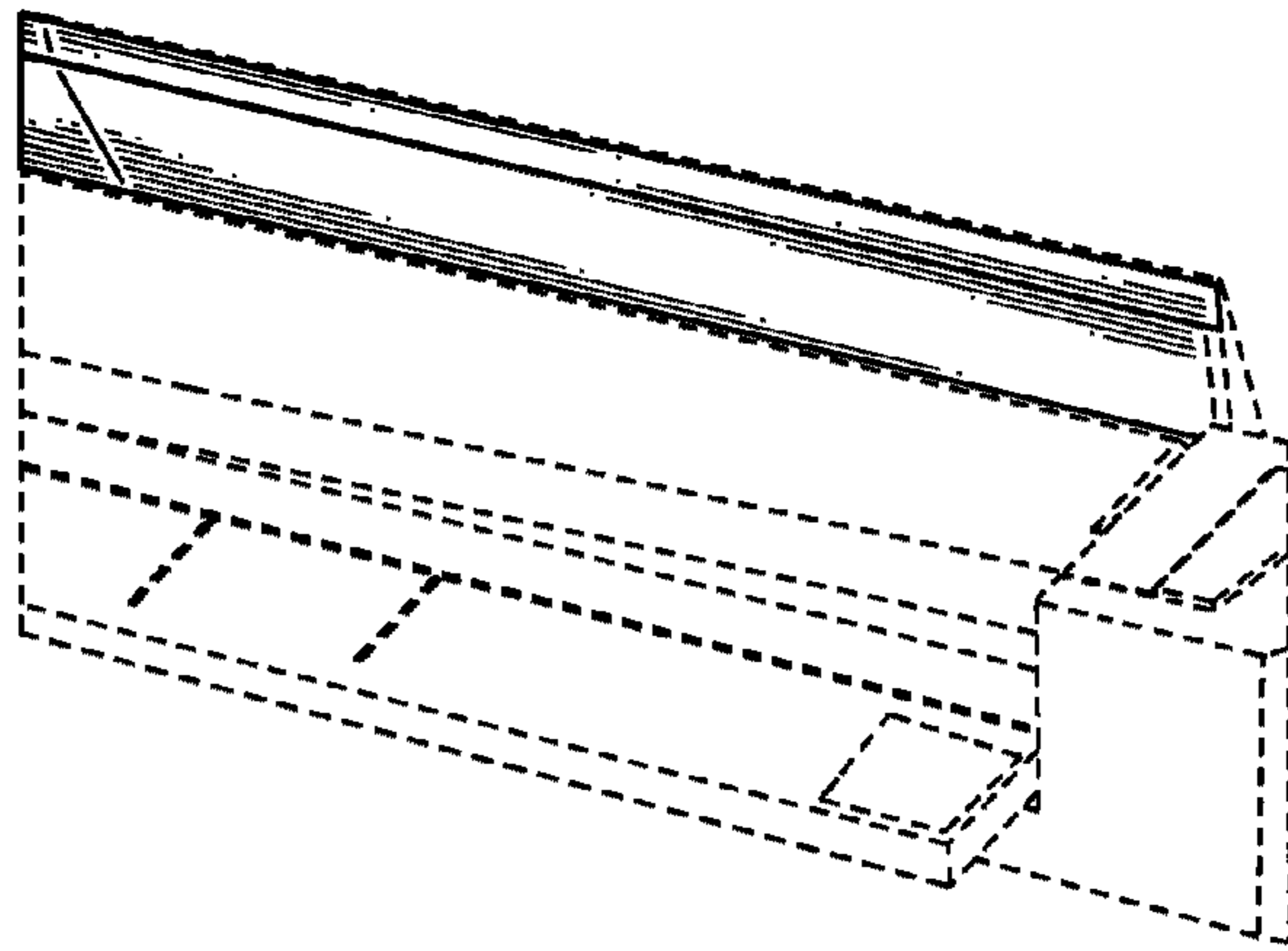


Fig.6

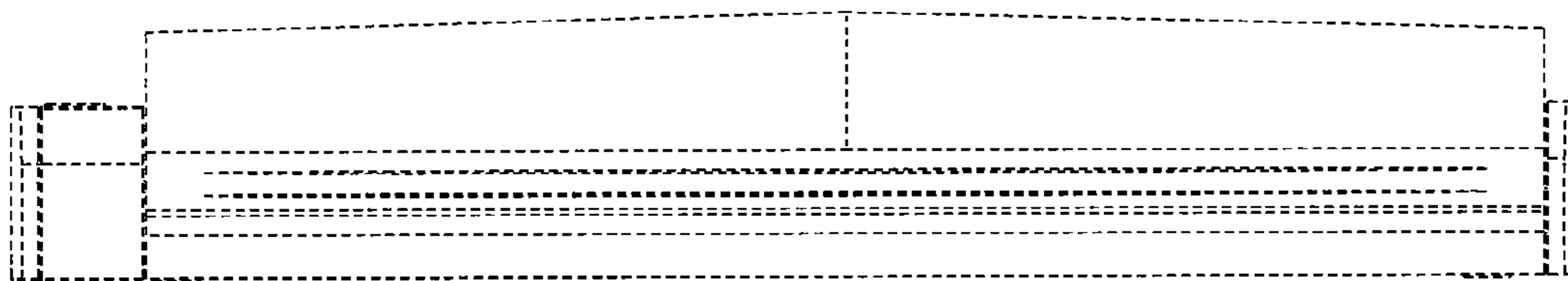


Fig.7

