

US00D638014S

(12) **United States Design Patent**
Chong et al.

(10) **Patent No.:** **US D638,014 S**

(45) **Date of Patent:** **** May 17, 2011**

(54) **ELECTRONIC READER DEVICE**

(75) Inventors: **Kin Fui Chong**, Singapore (SG); **Qian Hong**, Singapore (SG)

(73) Assignee: **Creative Technology Ltd**, Singapore (SG)

(**) Term: **14 Years**

(21) Appl. No.: **29/362,728**

(22) Filed: **May 28, 2010**

(30) **Foreign Application Priority Data**

Nov. 30, 2009 (SG) D2009/1052/D

(51) **LOC (9) Cl.** **14-02**

(52) **U.S. Cl.** **D14/383**; D14/336; D14/341

(58) **Field of Classification Search** D14/371-376,
D14/125-129, 317, 331, 336, 341, 337, 383-385;
D6/308; D10/20; 248/917-924, 176.1, 278.1;
345/104, 156, 173, 174, 901-905; 348/180,
348/184, 325, 739; 361/679.08, 679.21,
361/679.23; 349/1, 2, 11
See application file for complete search history.

(56) **References Cited**

U.S. PATENT DOCUMENTS

D355,170 S * 2/1995 Mizusugi et al. D14/336
5,815,252 A * 9/1998 Price-Francis 356/71
D403,670 S * 1/1999 Liao D14/375
6,593,859 B1 * 7/2003 Watanabe 341/20
D498,235 S * 11/2004 Chen et al. D18/4.6
D512,998 S * 12/2005 Sogabe D14/336
D539,797 S * 4/2007 Chiang et al. D14/337

7,349,201 B2 * 3/2008 Tatsukami et al. 361/679.55
D569,864 S * 5/2008 Chen D14/337
D593,553 S * 6/2009 Okamoto et al. D14/341
D598,015 S * 8/2009 Busri D14/341
D603,862 S * 11/2009 Skinner et al. D14/337
D606,071 S * 12/2009 Wu et al. D14/336

* cited by examiner

Primary Examiner — Freda S Nunn

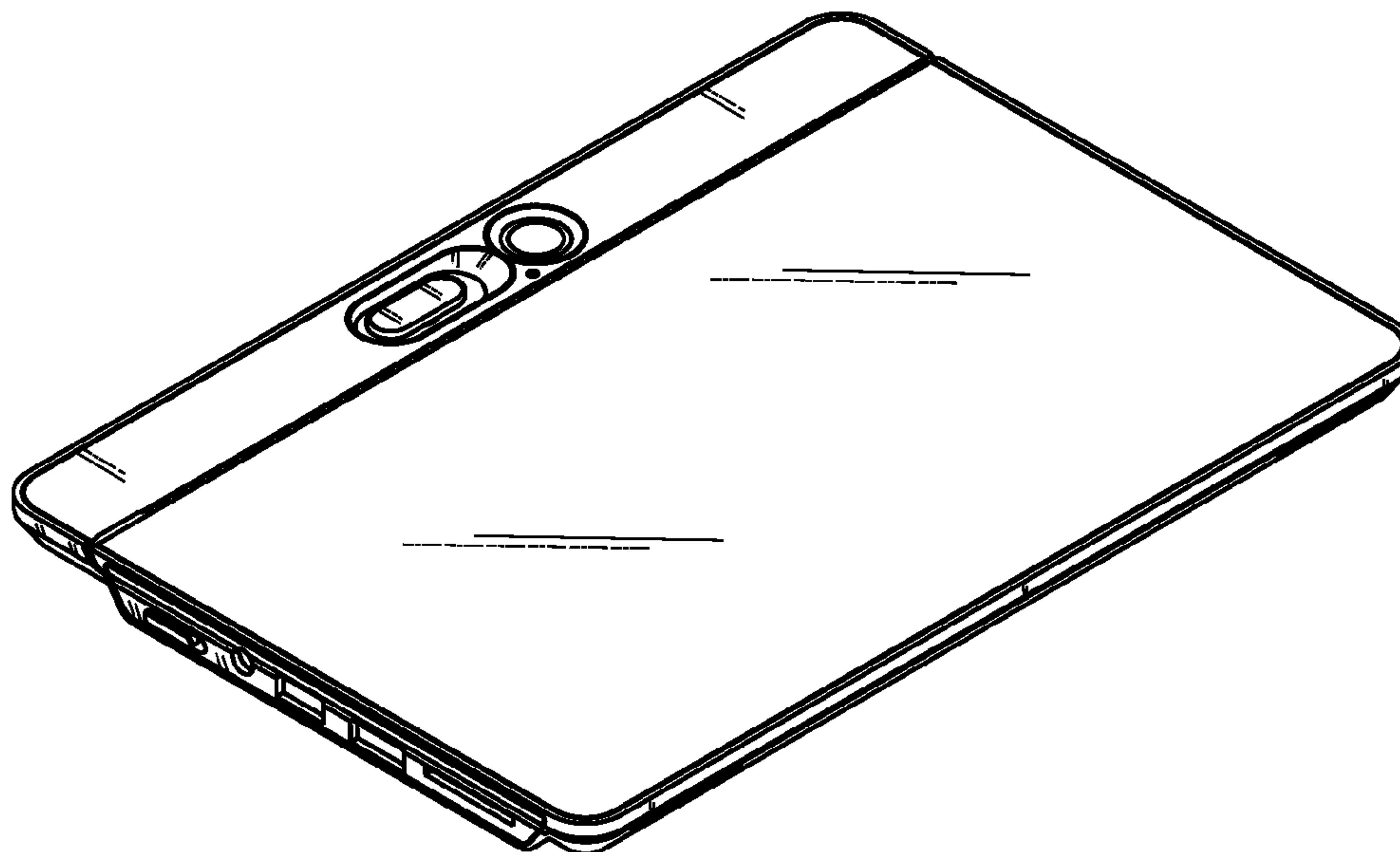
(57) **CLAIM**

The ornamental design for an electronic reader device, substantially as shown and described.

DESCRIPTION

FIG. 1 is a perspective view of the electronic reader device in accordance with the present design;
FIG. 2 is a perspective view of the electronic reader device in accordance with the present design;
FIG. 3 is a perspective view of the electronic reader device in accordance with the present design;
FIG. 4 is front view of the electronic reader device shown in FIG. 1;
FIG. 5 is a rear view of the electronic reader device shown in FIG. 1;
FIG. 6 is a left side view of the electronic reader device shown in FIG. 1;
FIG. 7 is a right side view of the electronic reader device shown in FIG. 1;
FIG. 8 is a top view of the electronic reader device shown in FIG. 1; and,
FIG. 9 is a bottom view of the electronic reader device shown in FIG. 1.

1 Claim, 5 Drawing Sheets



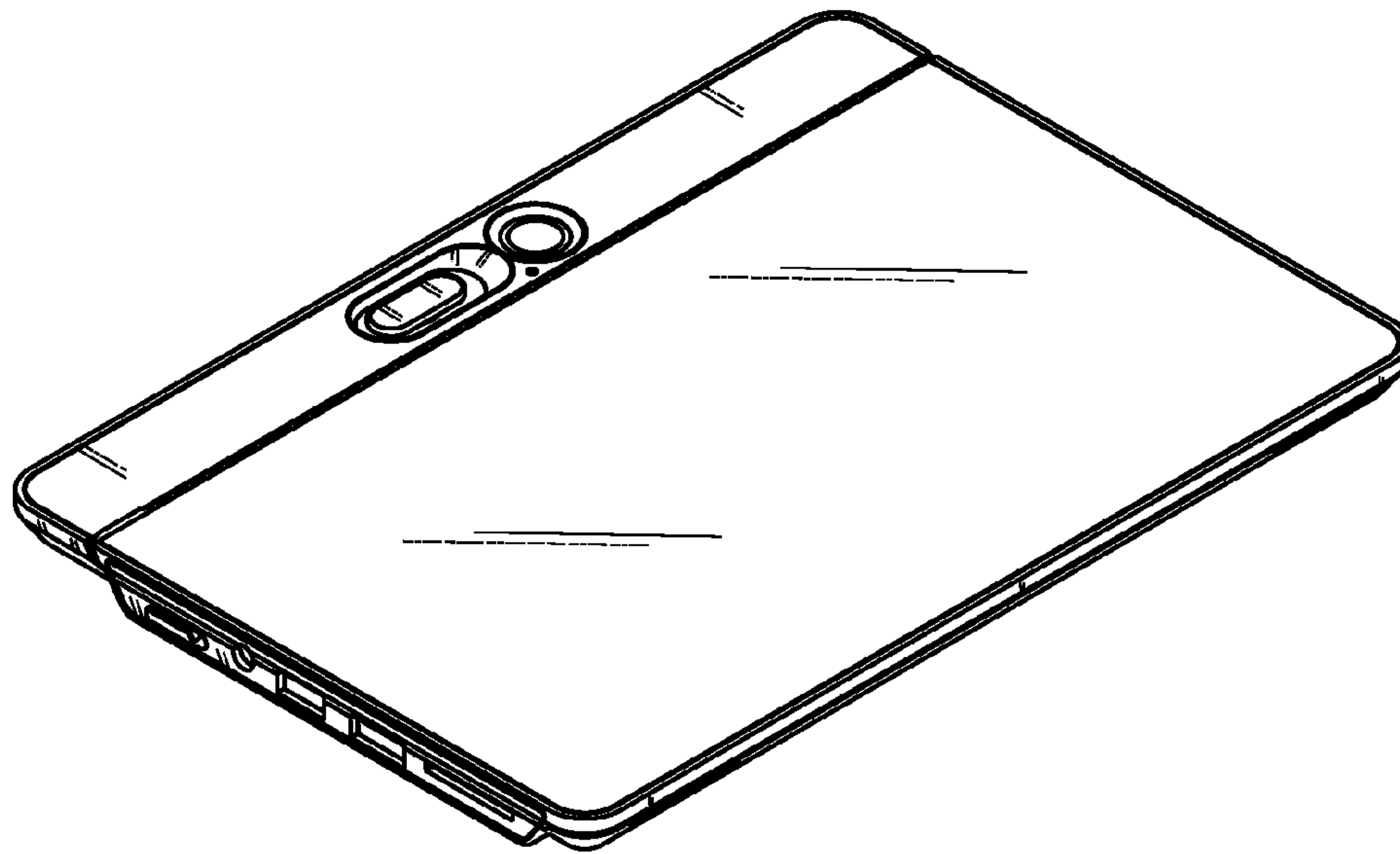


FIG. 1

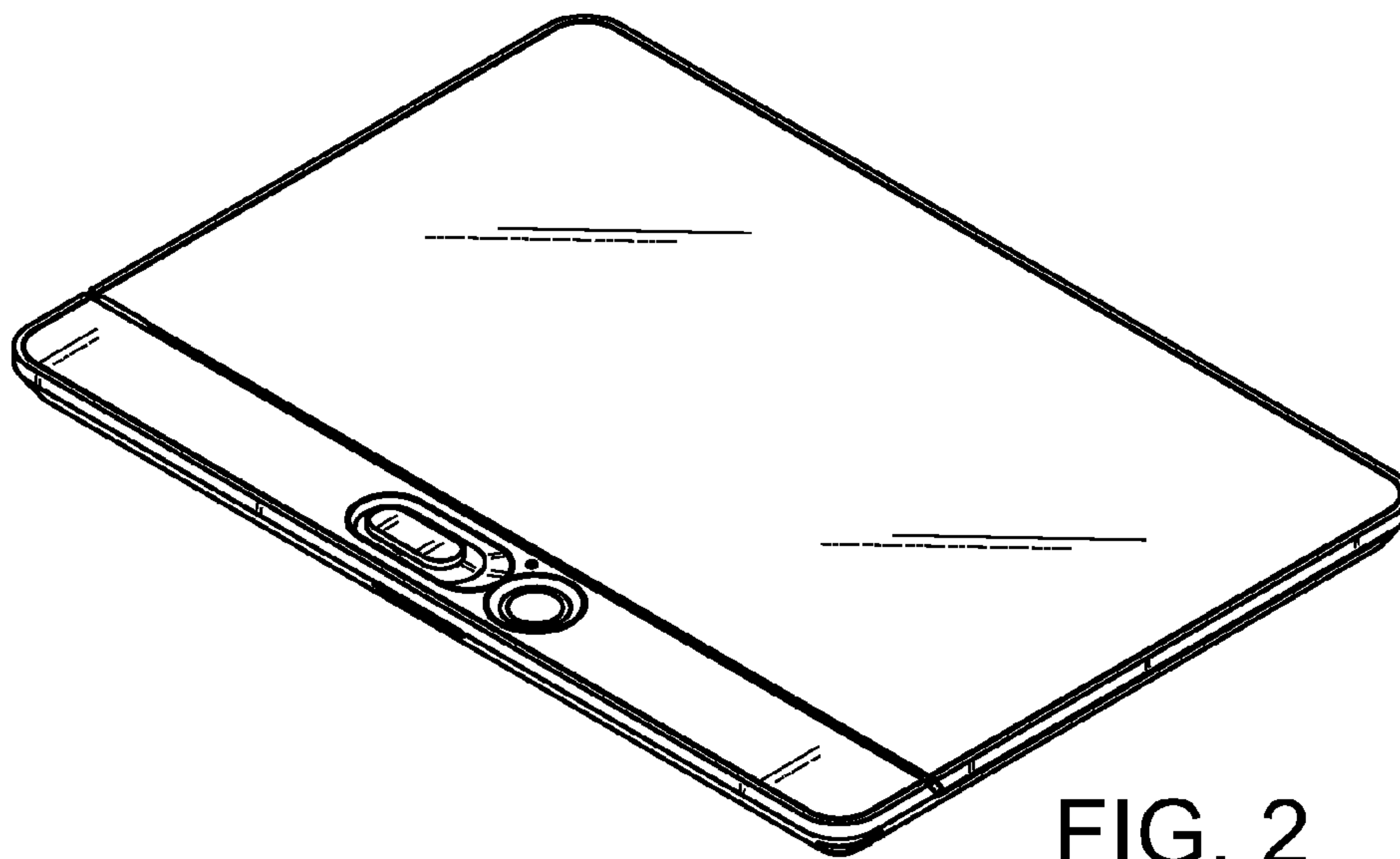


FIG. 2

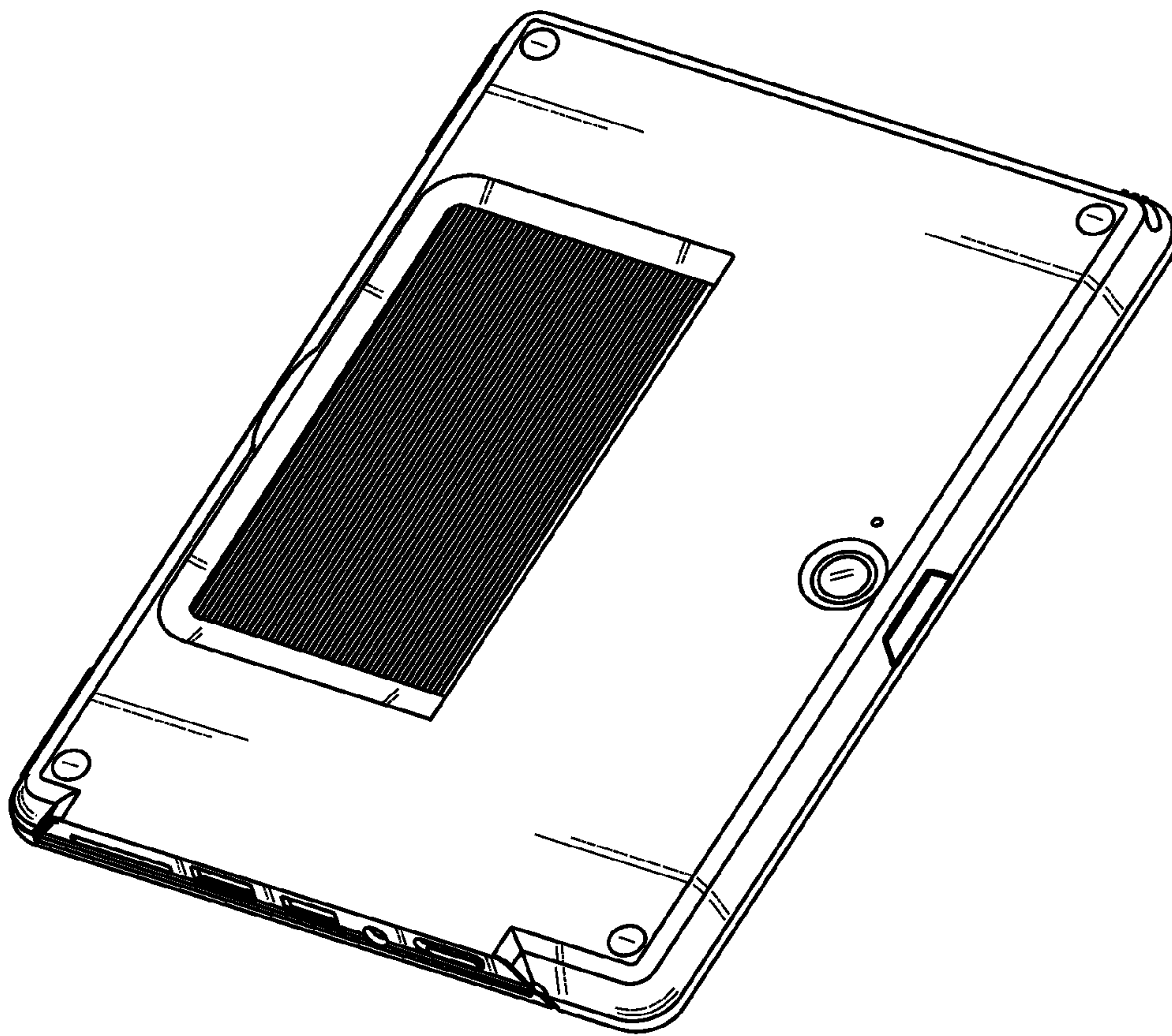


FIG. 3

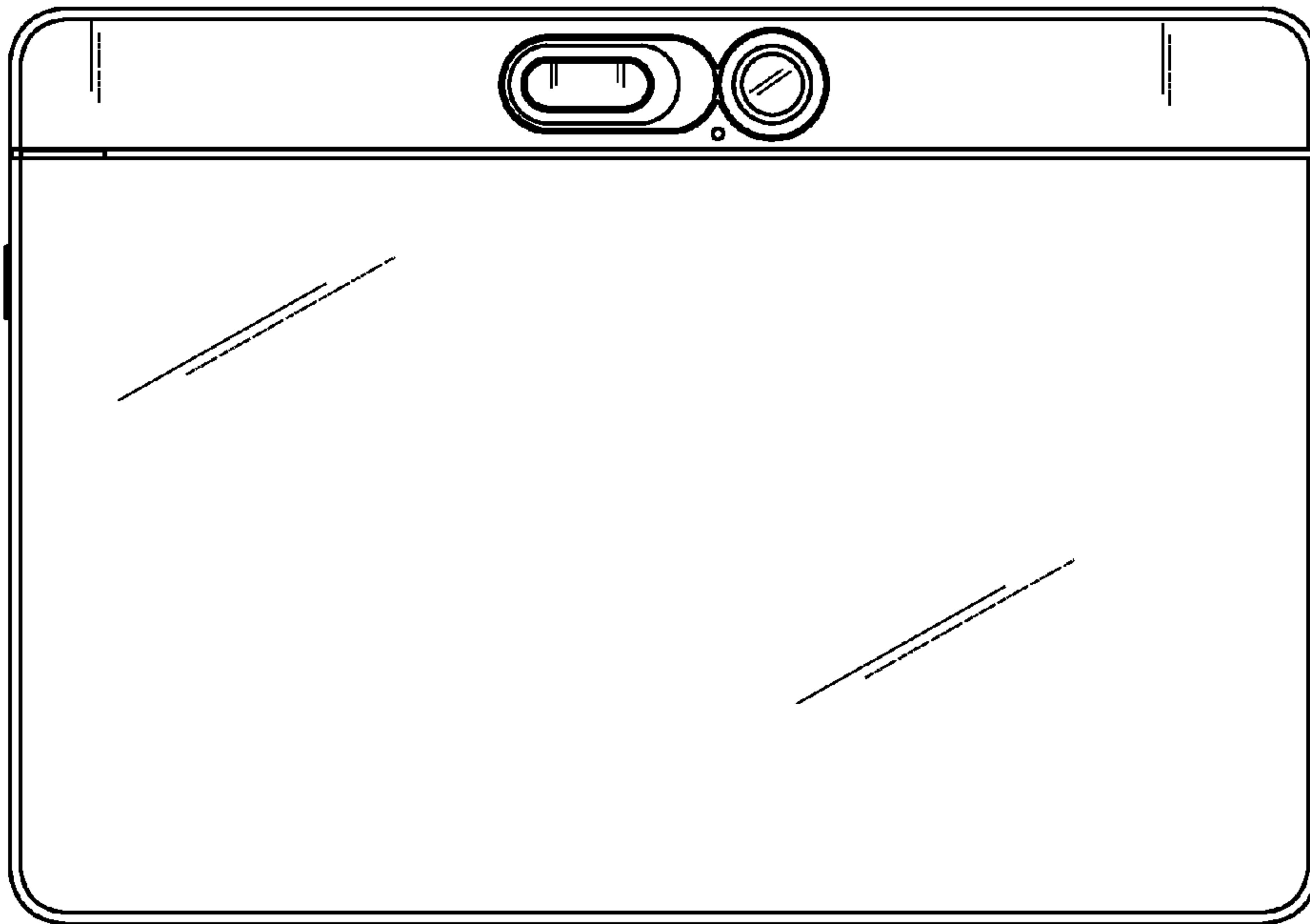


FIG. 4

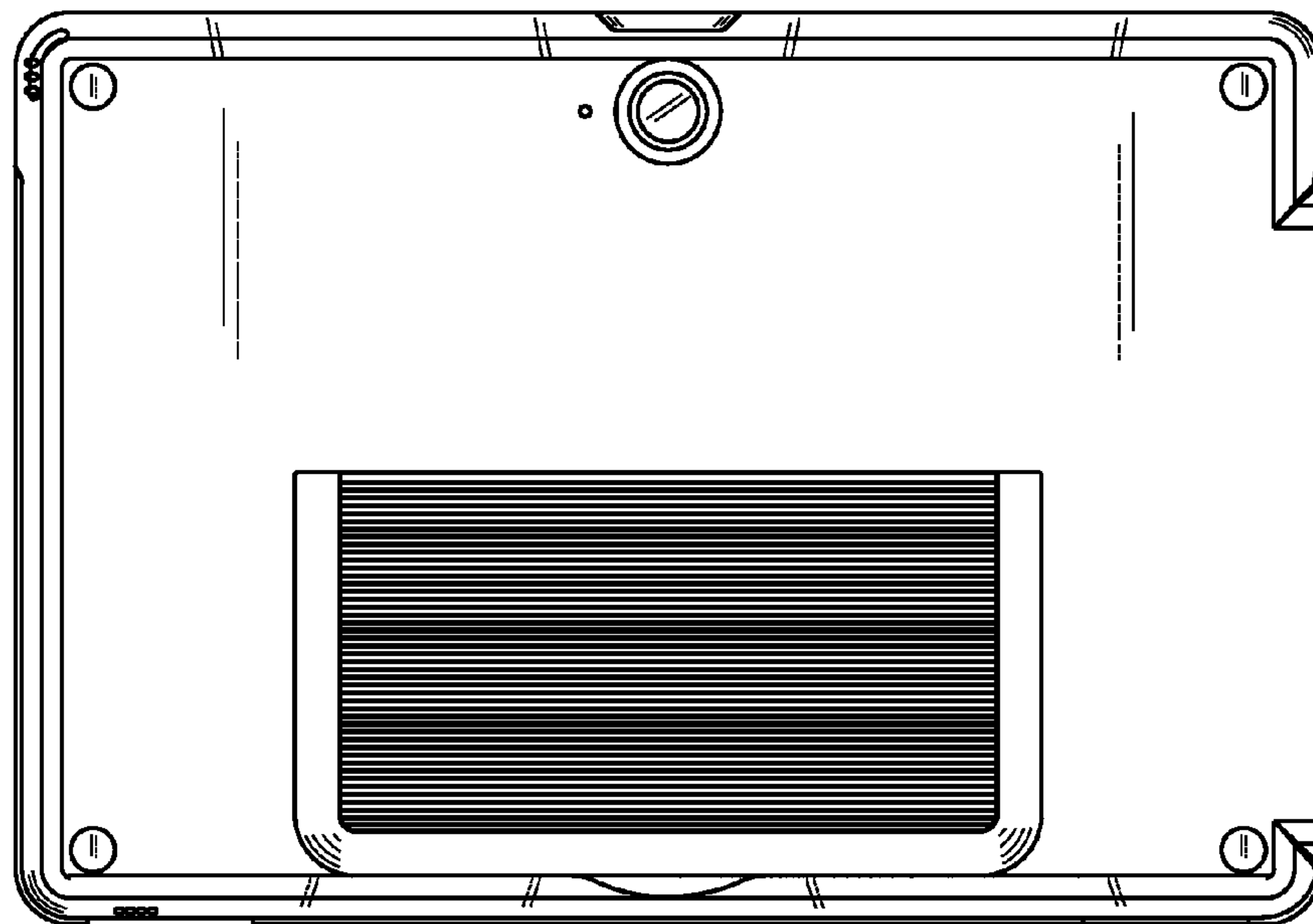


FIG. 5

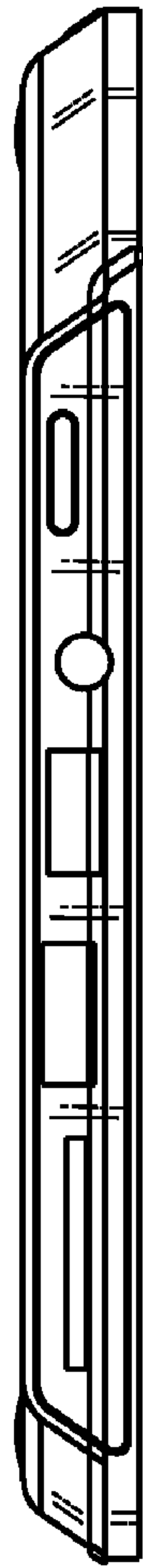


FIG. 6

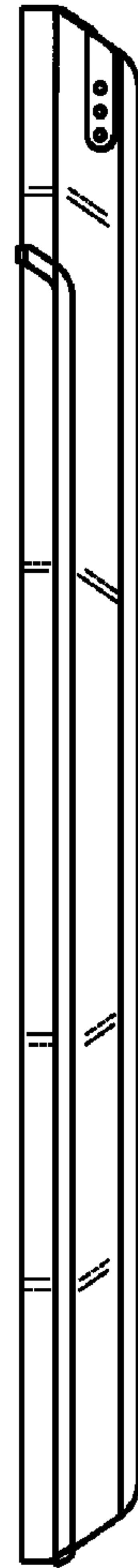


FIG. 7

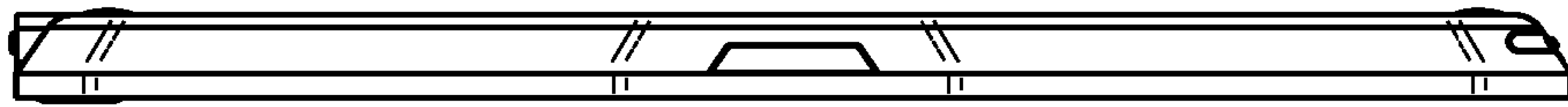


FIG. 8

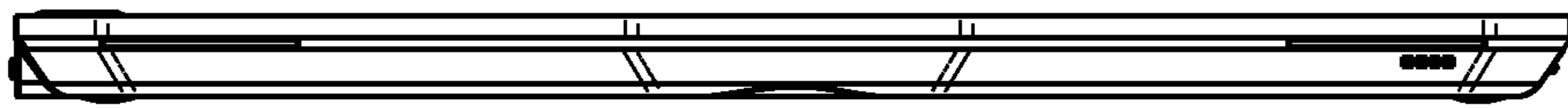


FIG. 9