



US00D638013S

(12) **United States Design Patent**
Andre et al.

(10) **Patent No.:** **US D638,013 S**
(45) **Date of Patent:** **** May 17, 2011**

(54) **MONITOR**

(75) Inventors: **Bartley K. Andre**, Menlo Park, CA (US); **Daniel J. Coster**, San Francisco, CA (US); **Daniele De Iulius**, San Francisco, CA (US); **Evans Hankey**, San Francisco, CA (US); **Richard P. Howarth**, San Francisco, CA (US); **Jonathan P. Ive**, San Francisco, CA (US); **Duncan Robert Kerr**, San Francisco, CA (US); **Shin Nishibori**, Portola Valley, CA (US); **Matthew Dean Rohrbach**, San Francisco, CA (US); **Peter Russell-Clarke**, San Francisco, CA (US); **Douglas B. Satzger**, Menlo Park, CA (US); **Christopher J. Stringer**, Woodside, CA (US); **Eugene Antony Whang**, San Francisco, CA (US); **Rico Zorkendorfer**, San Francisco, CA (US)

(73) Assignee: **Apple Inc.**, Cupertino, CA (US)

(**) Term: **14 Years**

(21) Appl. No.: **29/380,605**

(22) Filed: **Dec. 8, 2010**

Related U.S. Application Data

(60) Continuation of application No. 29/355,762, filed on Feb. 12, 2010, now Pat. No. Des. 630,210, which is a division of application No. 29/326,226, filed on Oct. 14, 2008, now abandoned, which is a continuation of application No. 29/326,078, filed on Oct. 10, 2008, now Pat. No. Des. 600,696.

(51) **LOC (9) Cl.** **14-02**

(52) **U.S. Cl.** **D14/374**

(58) **Field of Classification Search** D14/371-375, D14/125-129, 341-346; 248/917-924, 176.1, 248/278.1, 157; 341/12; 345/104, 156, 168, 345/173, 901-905; 348/180, 184, 325, 836; 349/1, 2, 11, 62; 361/679.21-679.27

See application file for complete search history.

(56) **References Cited**

U.S. PATENT DOCUMENTS
D414,471 S 9/1999 Poole et al.
(Continued)

OTHER PUBLICATIONS

Appendix in U.S. Appl. No. 29/201,636 entitled "Electronic Device" filed Mar. 17, 2004, now USPN D504,889.

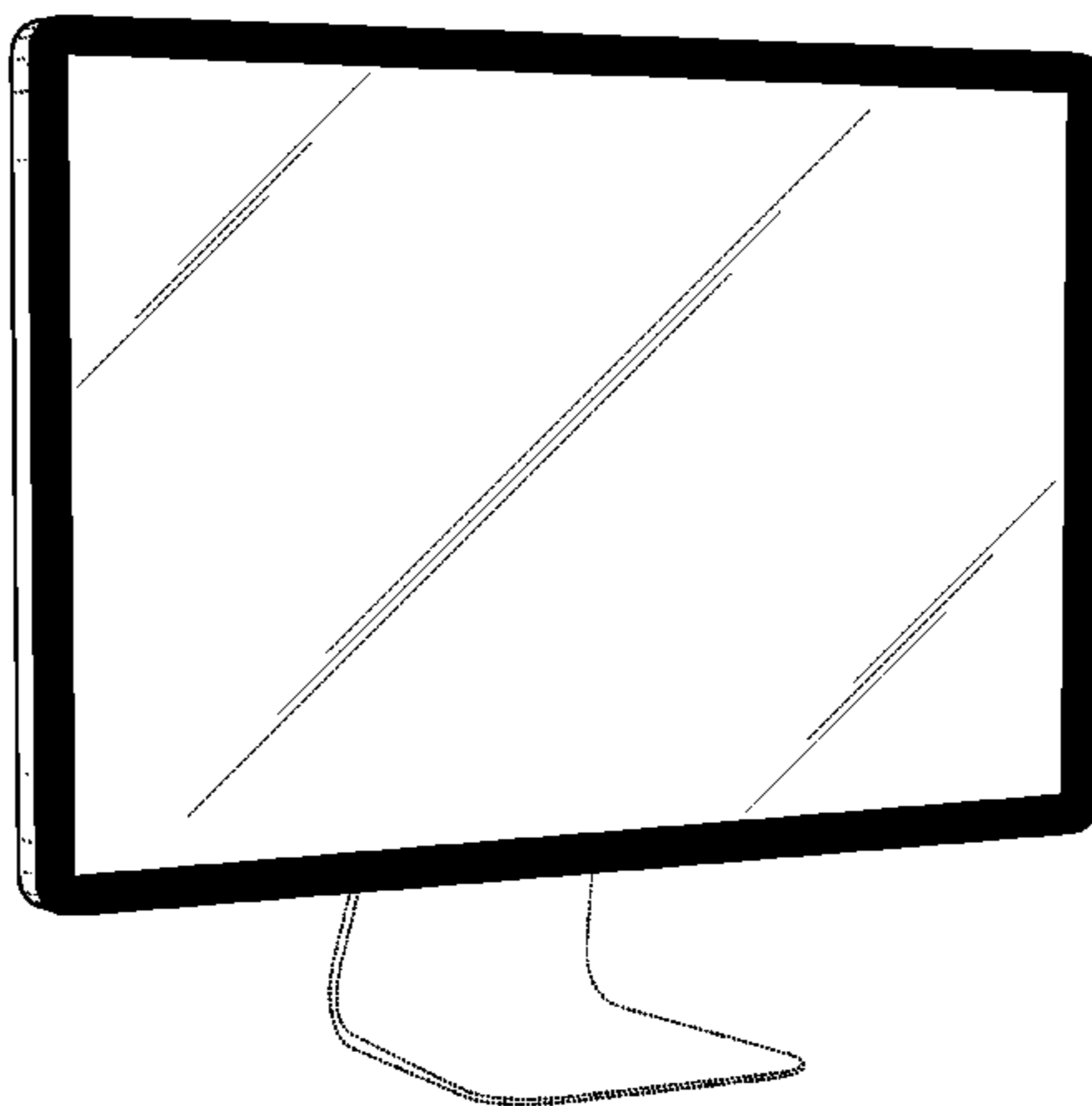
Primary Examiner — Freda S Nunn
(74) *Attorney, Agent, or Firm* — SAIDMAN DesignLaw Group

(57) **CLAIM**
The ornamental design for a monitor, as shown and described.

DESCRIPTION

FIG. 1 is a front perspective view of a first embodiment of a monitor showing our new design;
FIG. 2 is a front view thereof;
FIG. 3 is a rear view thereof;
FIG. 4 is a left-side view thereof;
FIG. 5 is a right-side view thereof;
FIG. 6 is a top view thereof;
FIG. 7 is a bottom view thereof;
FIG. 8 is a rear perspective view thereof;
FIG. 9 is a front perspective view of a second embodiment thereof;
FIG. 10 is a front view thereof;
FIG. 11 is a rear view thereof;
FIG. 12 is a left-side view thereof;
FIG. 13 is a right-side view thereof;
FIG. 14 is a top view thereof;
FIG. 15 is a bottom view thereof; and
FIG. 16 is a rear perspective view thereof.
The closely spaced parallel diagonal shade lines indicate translucency. The relatively light and thin shade lines show contour and not surface decoration. The dashed broken lines are for the purpose of illustrating portions of the monitor and form no part of the claimed design. The gray shading on a portion of the monitor represents a metallic surface.

1 Claim, 12 Drawing Sheets



US D638,013 S

Page 2

U.S. PATENT DOCUMENTS

D416,877 S	11/1999	Liu et al.	D504,889 S	5/2005	Andre et al.	
D424,033 S	5/2000	Hsu	7,014,154 B2 *	3/2006	Jeong et al.	248/157
D424,034 S	5/2000	Li	D530,329 S	10/2006	Chen et al.	
D432,101 S	10/2000	Oba	D532,011 S	11/2006	Andre et al.	
D434,763 S	12/2000	Jobs et al.	D541,278 S	4/2007	Hsu et al.	
D448,031 S	9/2001	Goetz	D541,799 S	5/2007	Andre et al.	
D456,023 S	4/2002	Andre et al.	D549,673 S	8/2007	Niitsu	
D464,049 S	10/2002	Goto	D556,755 S	12/2007	Lee et al.	
D476,335 S	6/2003	Miao et al.	D570,841 S	6/2008	Kim et al.	
D492,684 S	7/2004	Ozolins et al.	D621,841 S	8/2010	Andre et al.	
D497,364 S	10/2004	Ozolins et al.	D630,210 S *	1/2011	Andre et al.	D14/374
D500,037 S	12/2004	Ozolins et al.	2003/0058372 A1 *	3/2003	Williams et al.	348/836
6,837,469 B2 *	1/2005	Wu et al.	2006/0237599 A1	10/2006	Ternus et al.	

* cited by examiner

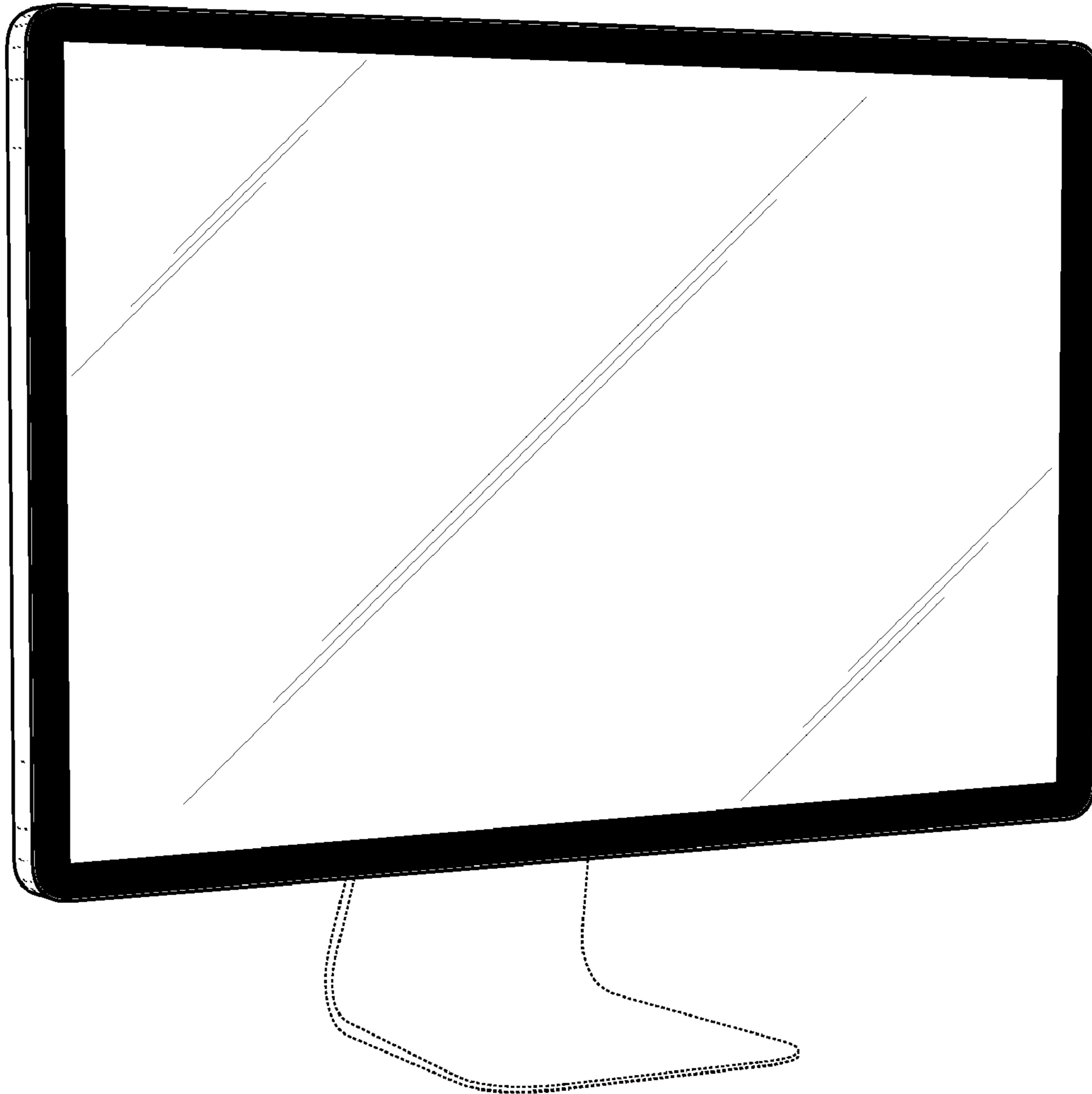


Fig. 1

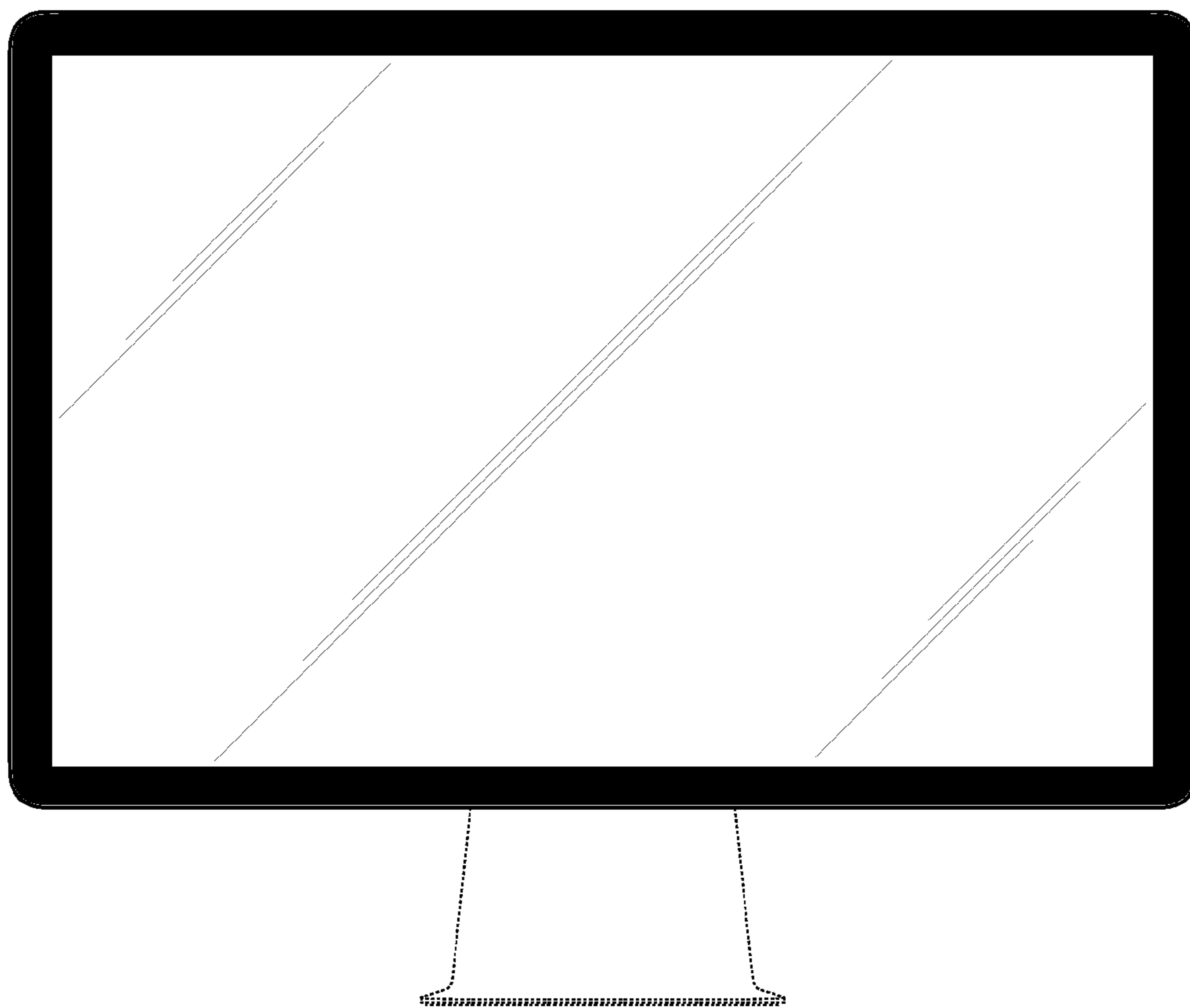


Fig. 2

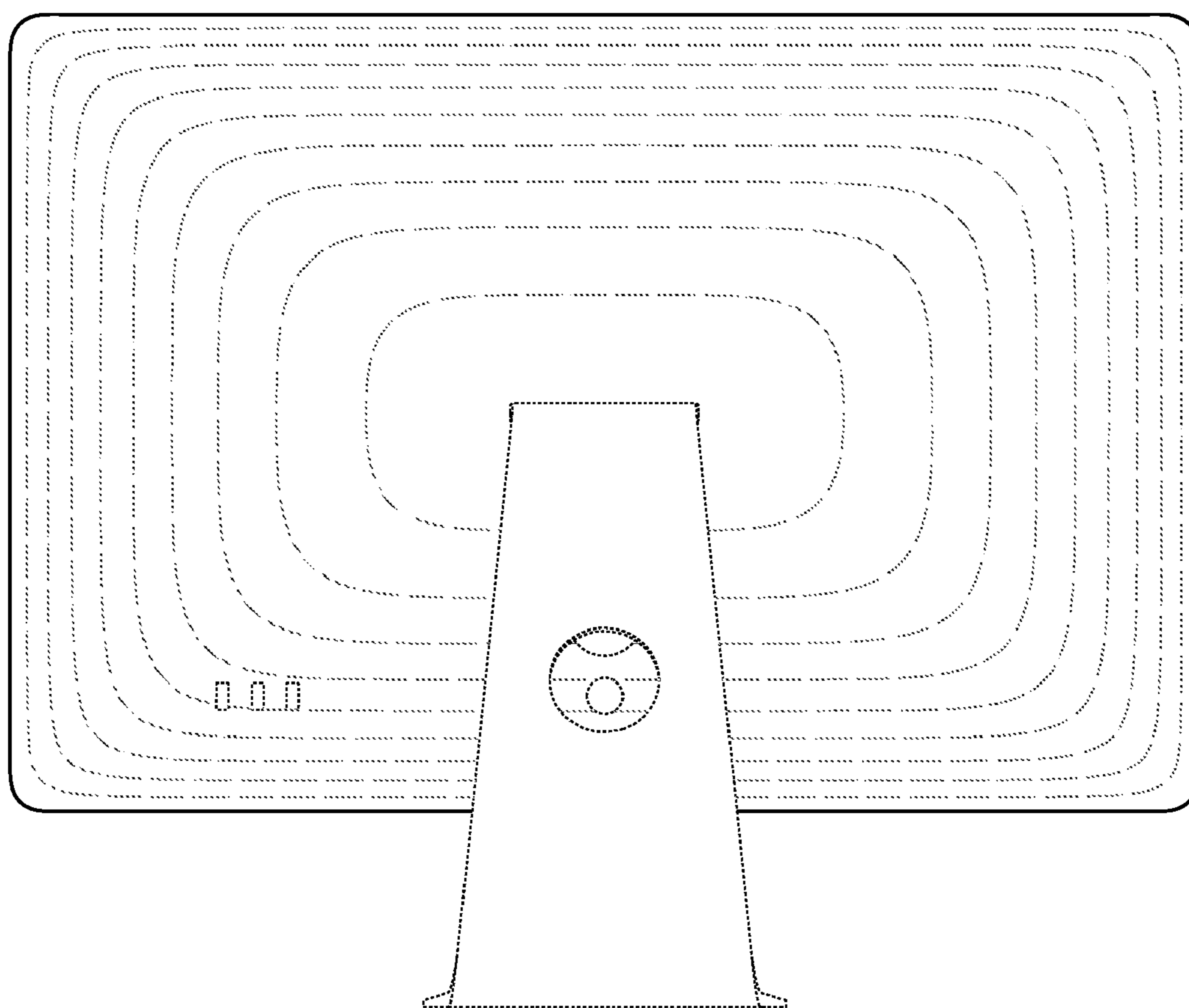


Fig. 3

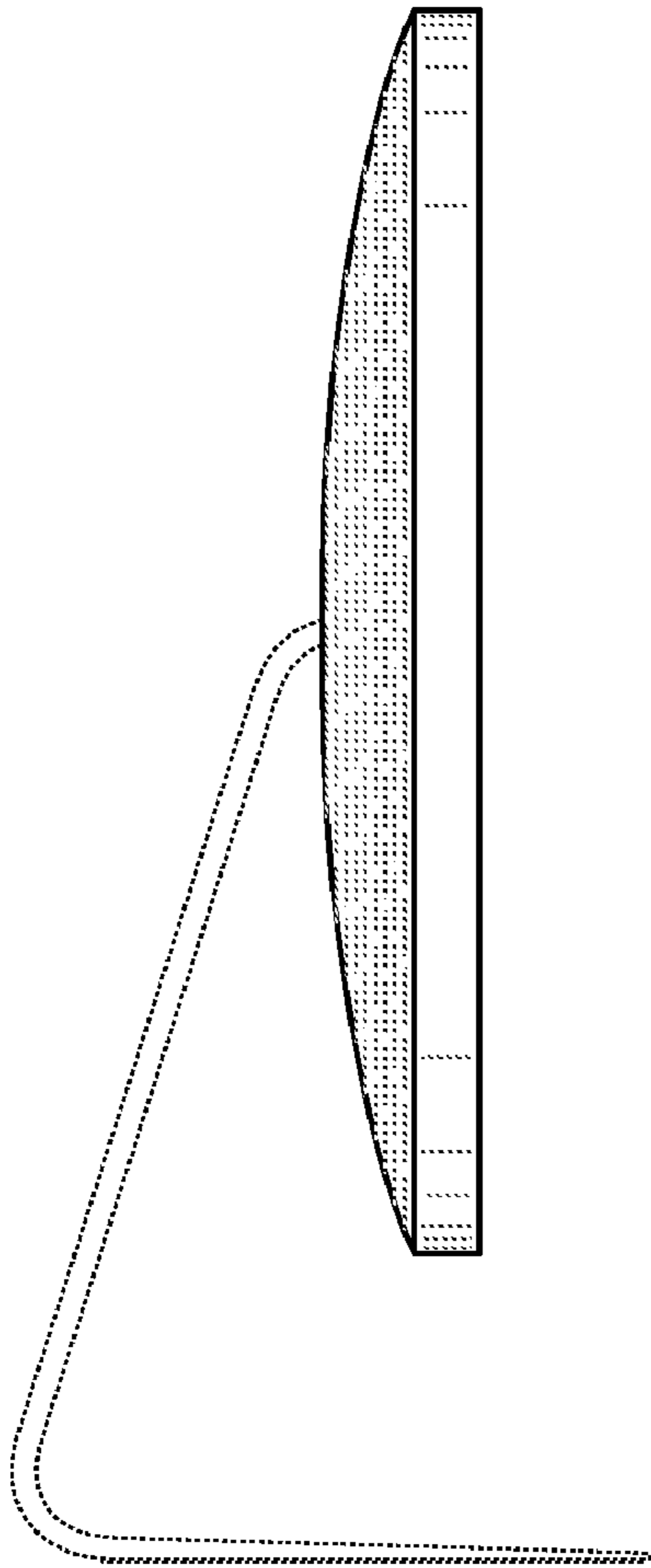


Fig. 4

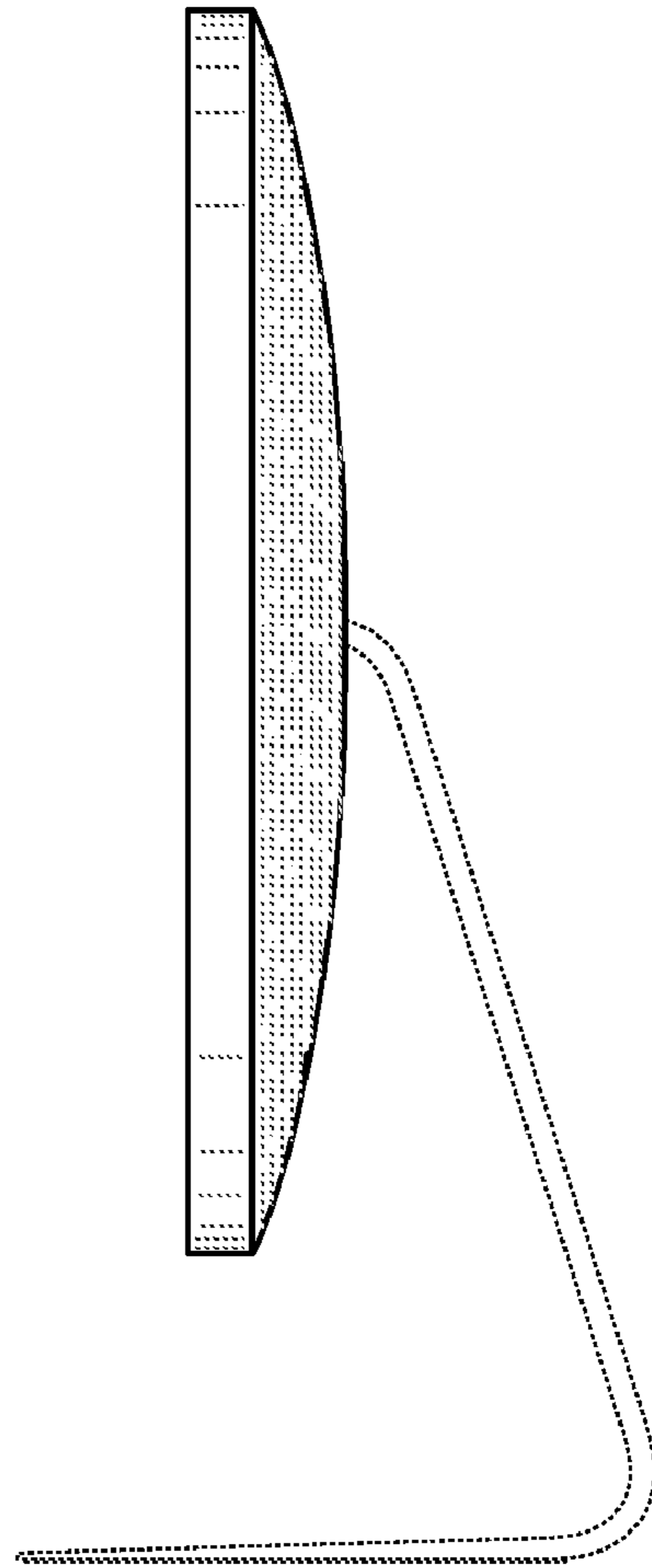


Fig. 5

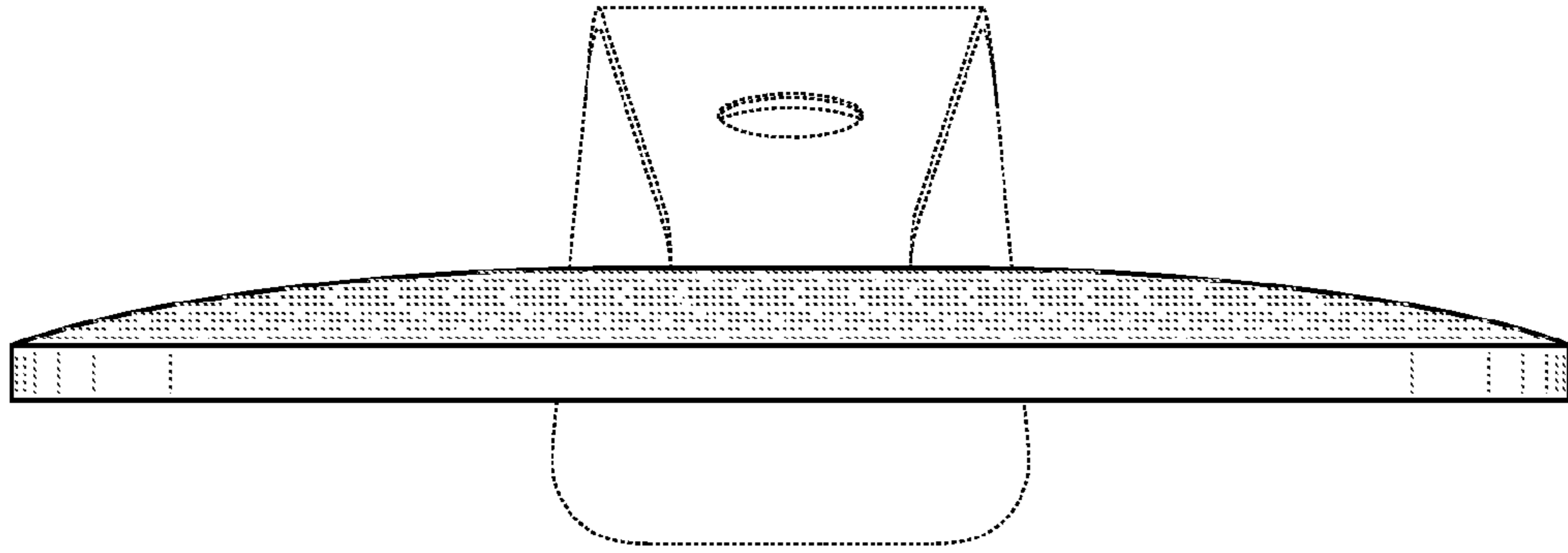


Fig. 6

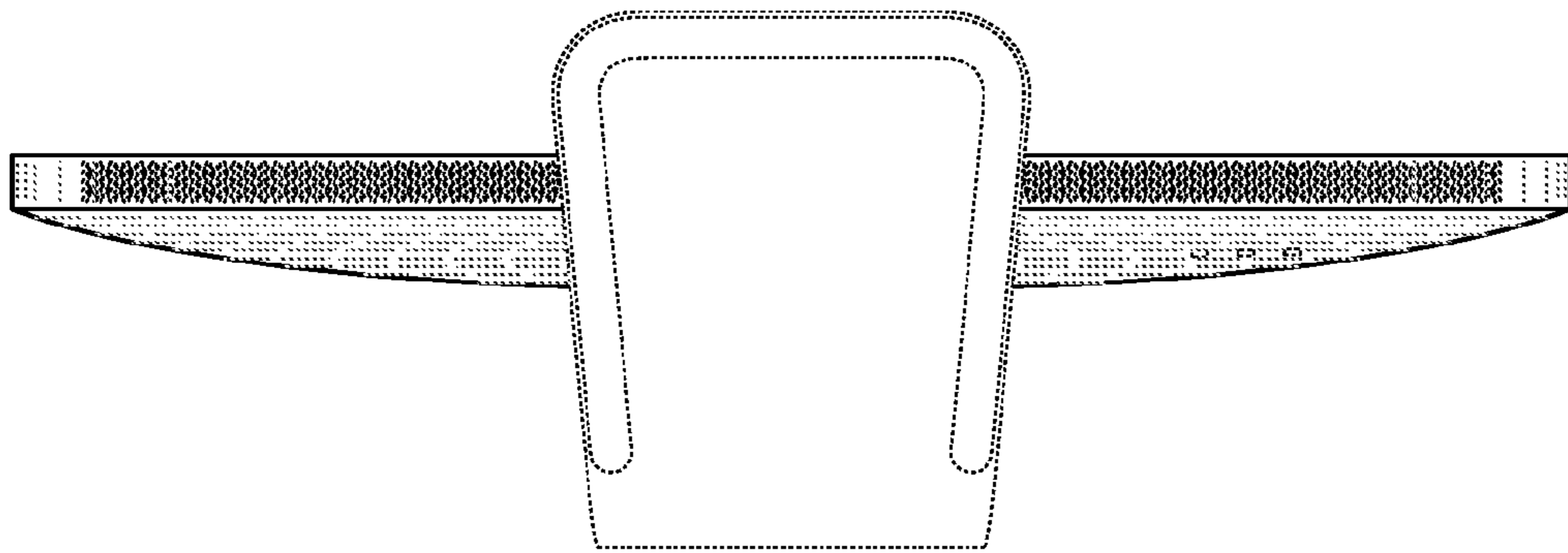


Fig. 7

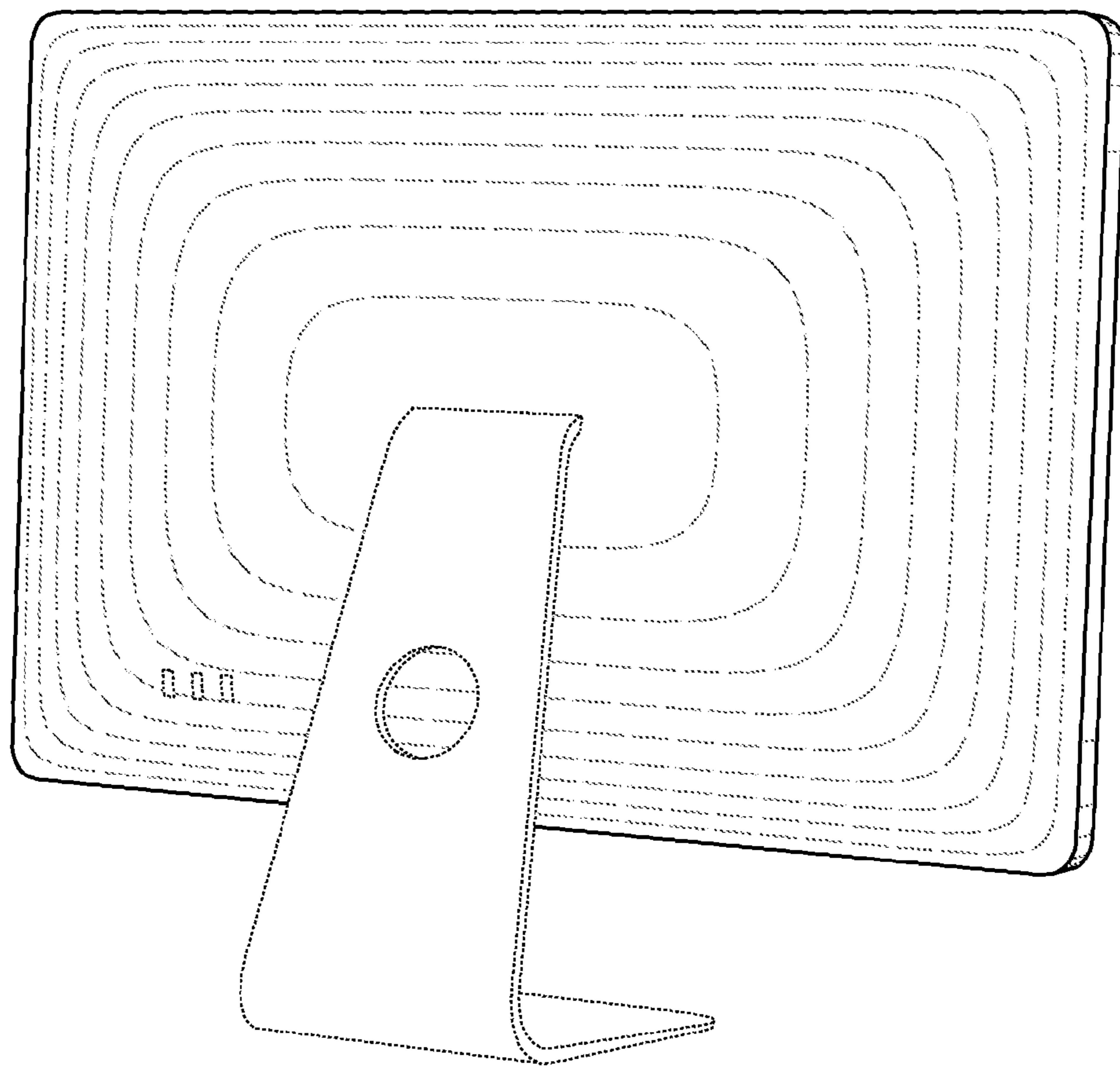


Fig. 8

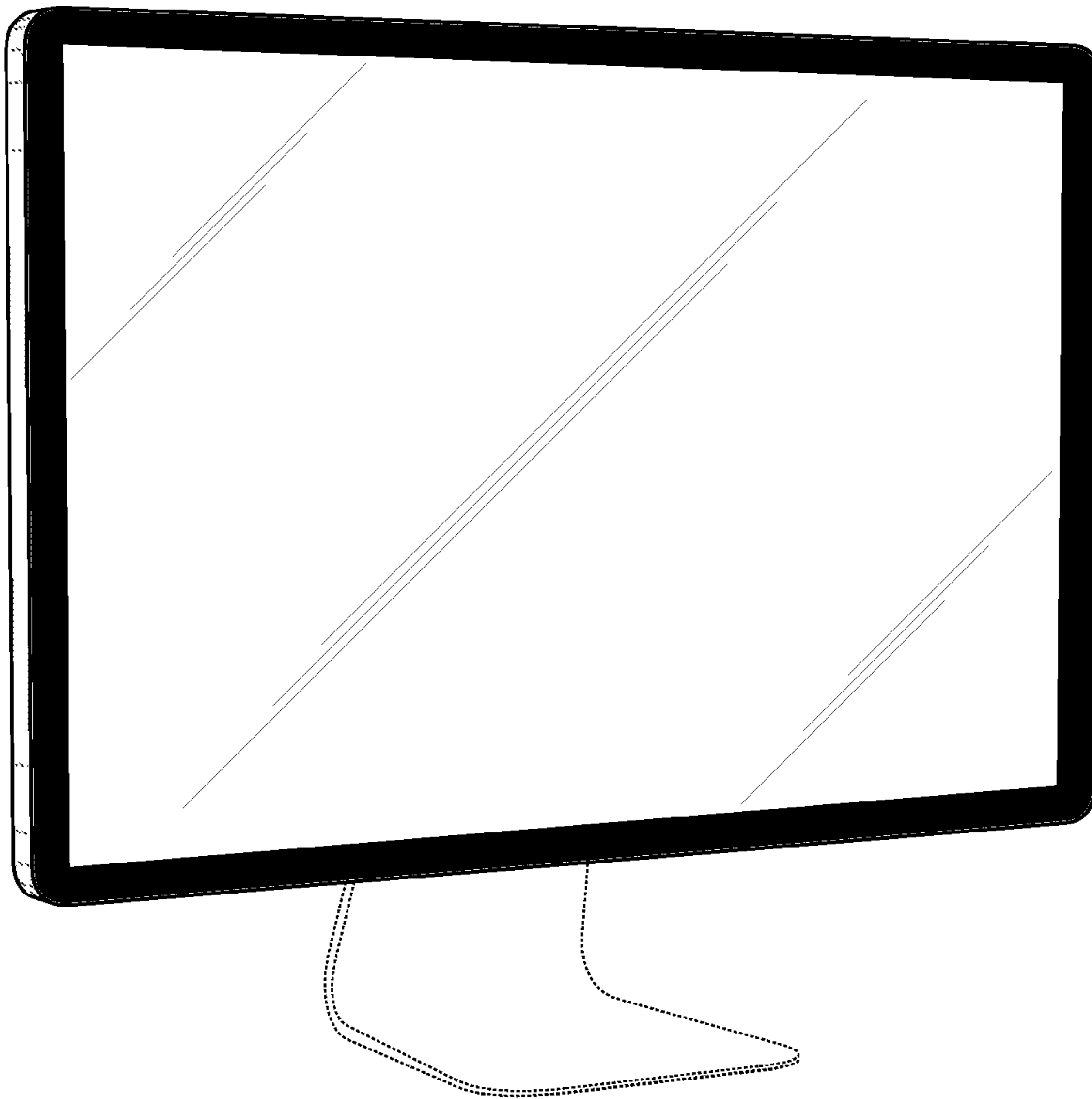


Fig. 9

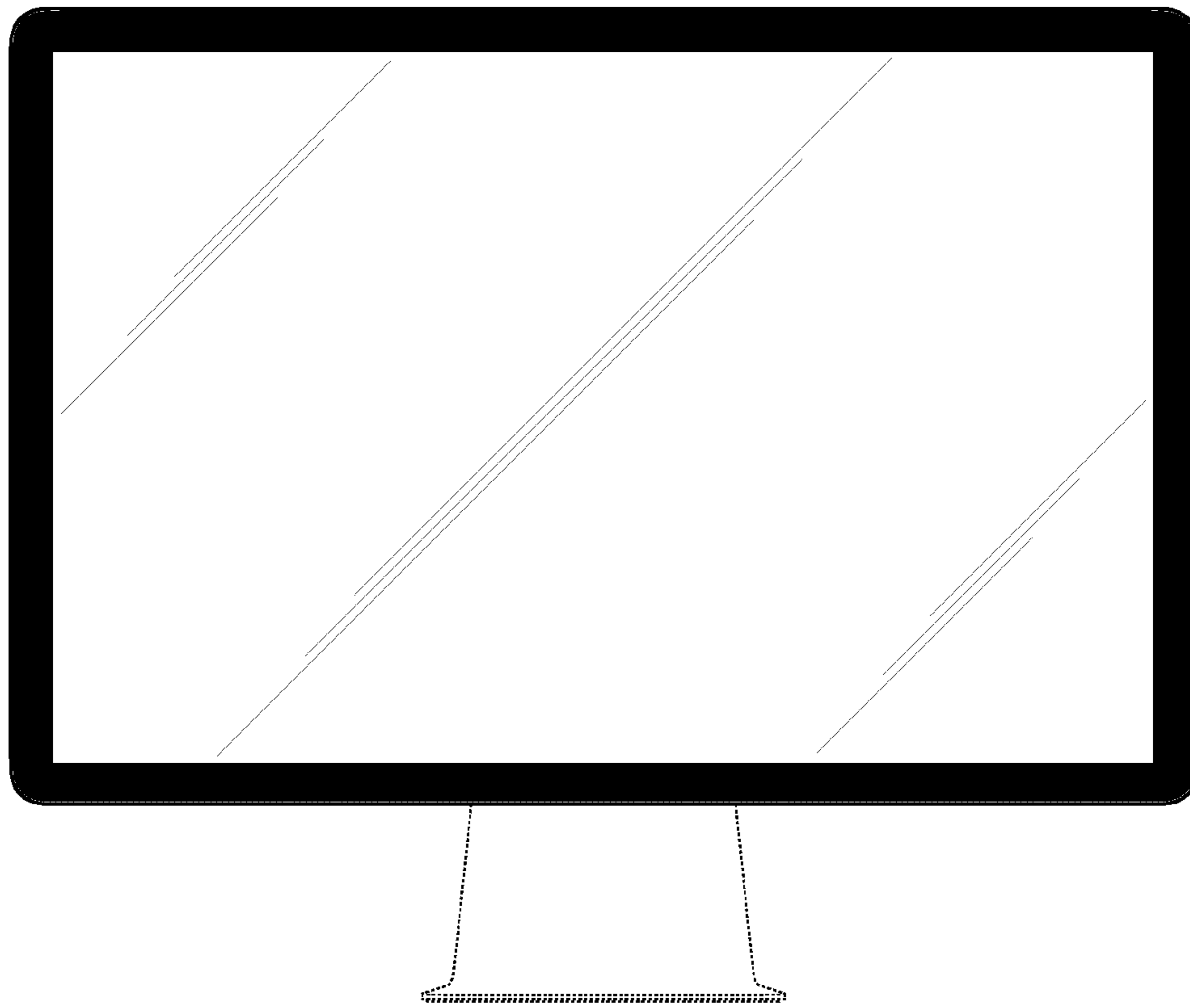


Fig. 10

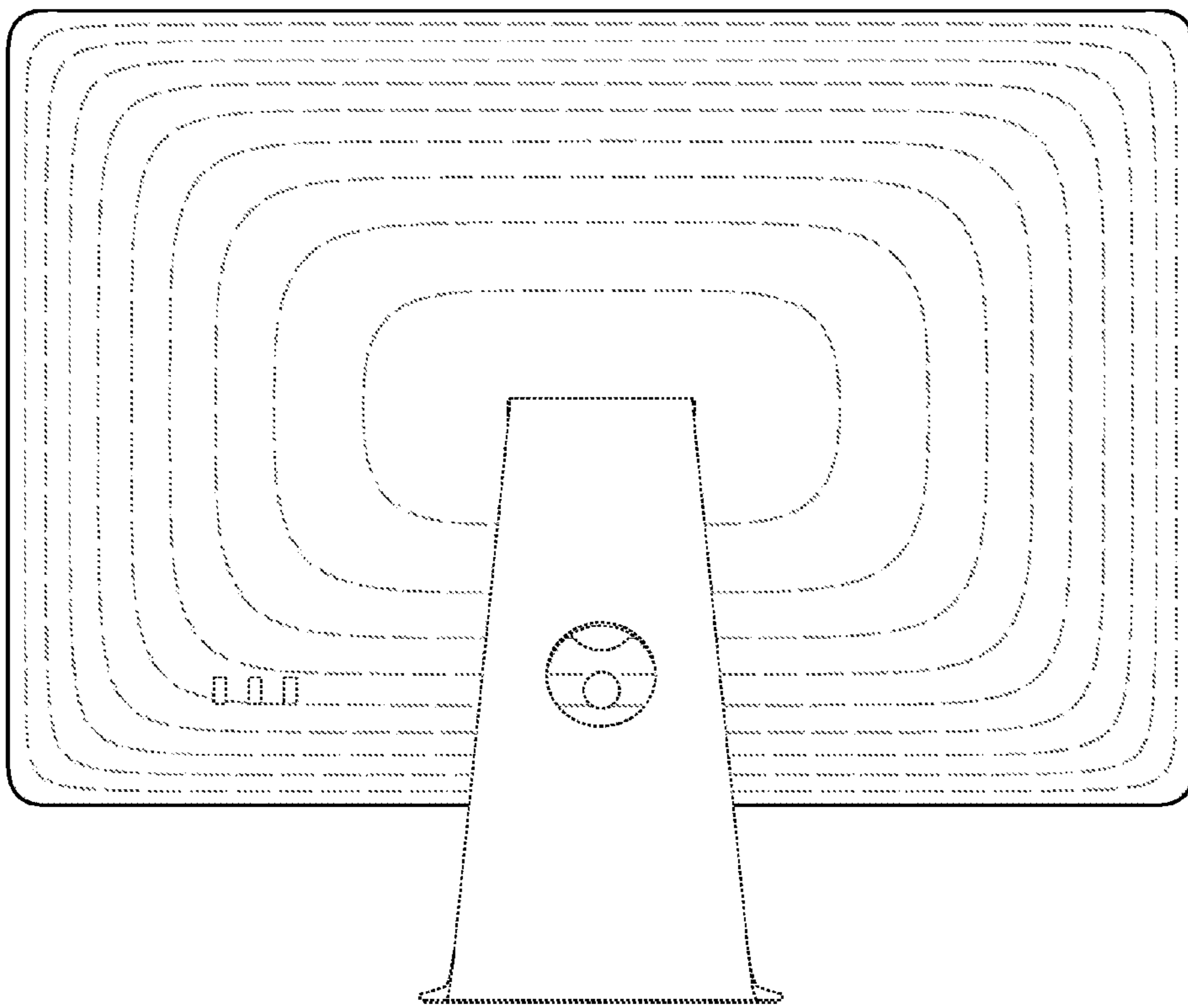


Fig. 11

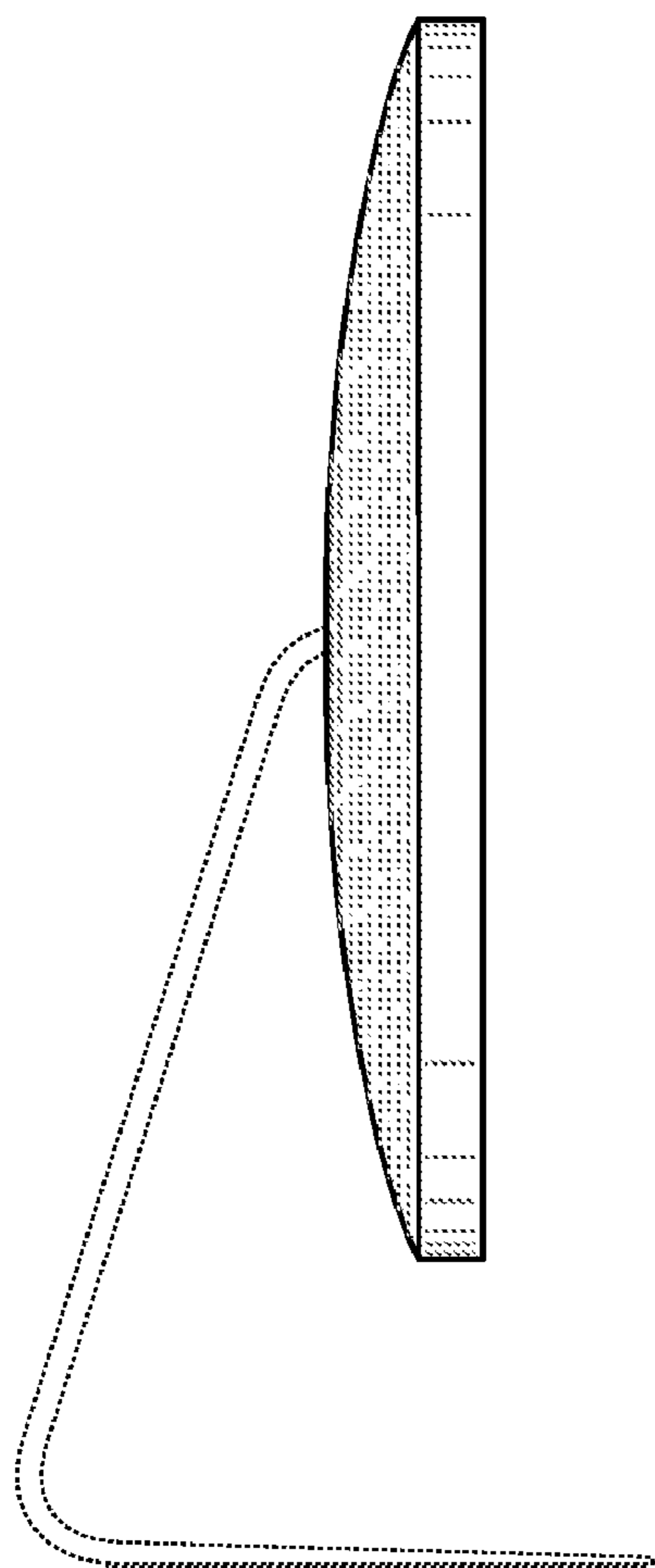


Fig. 12

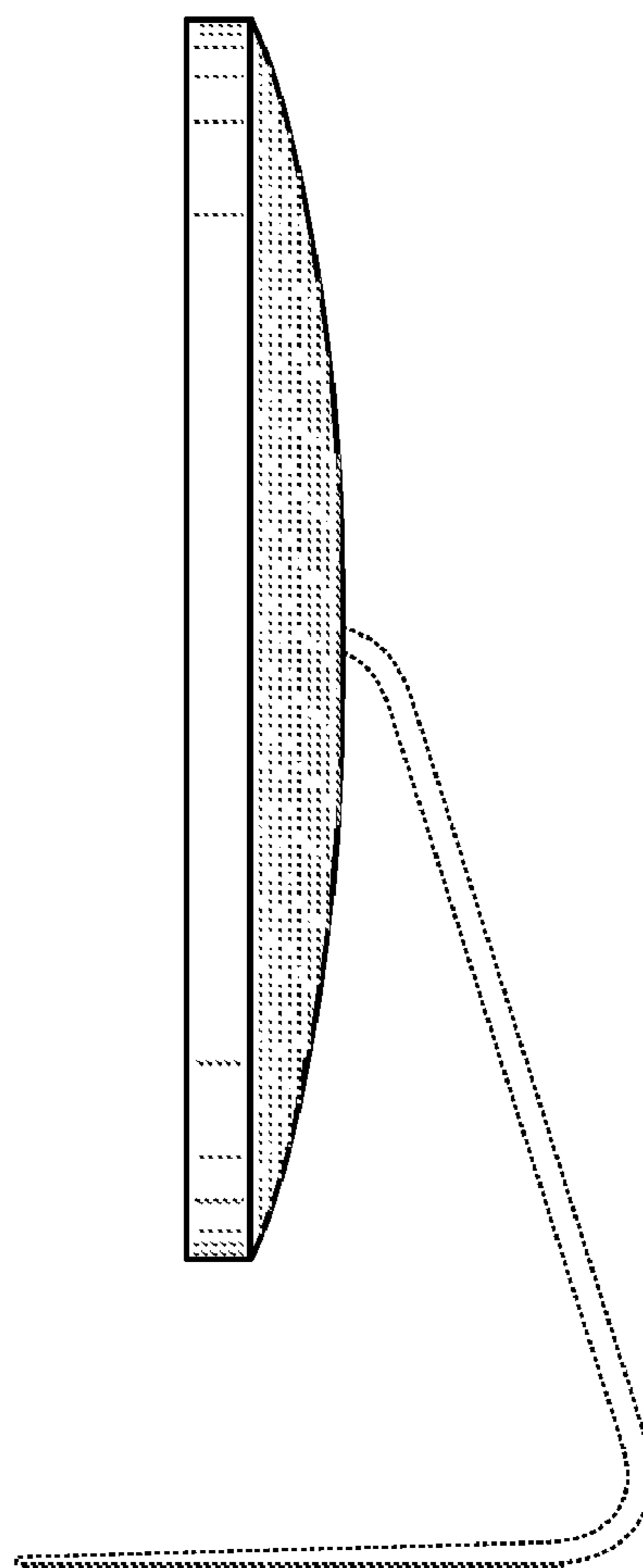


Fig. 13

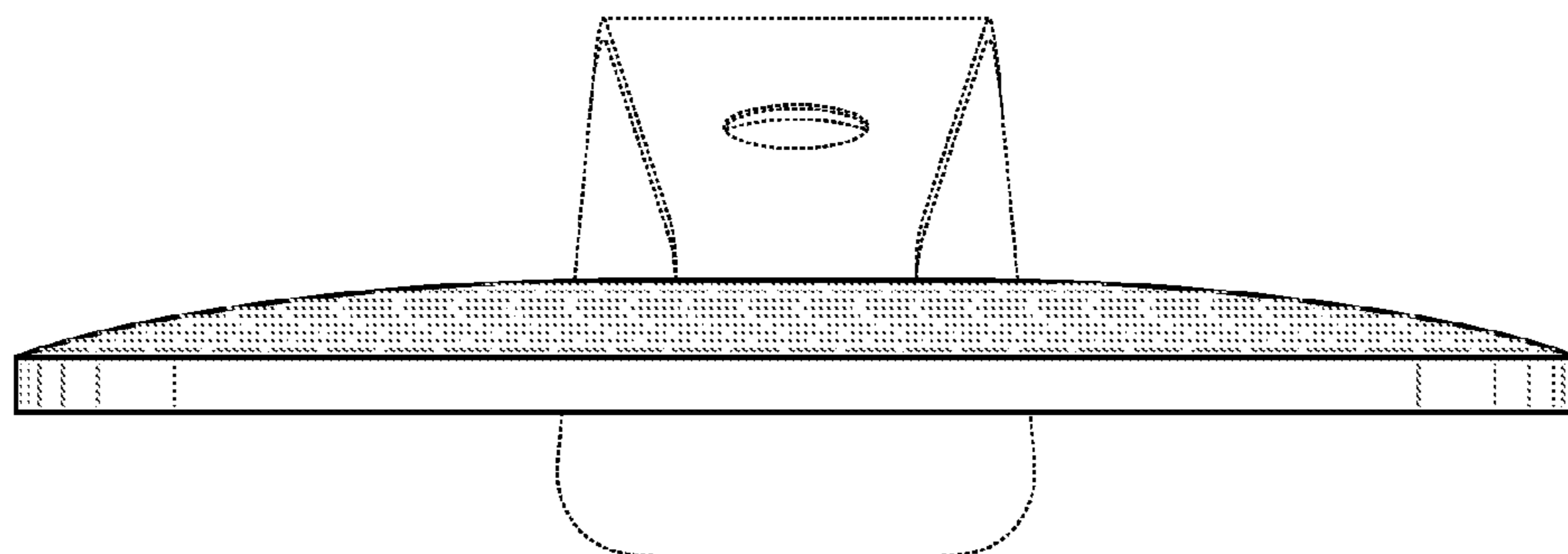


Fig. 14

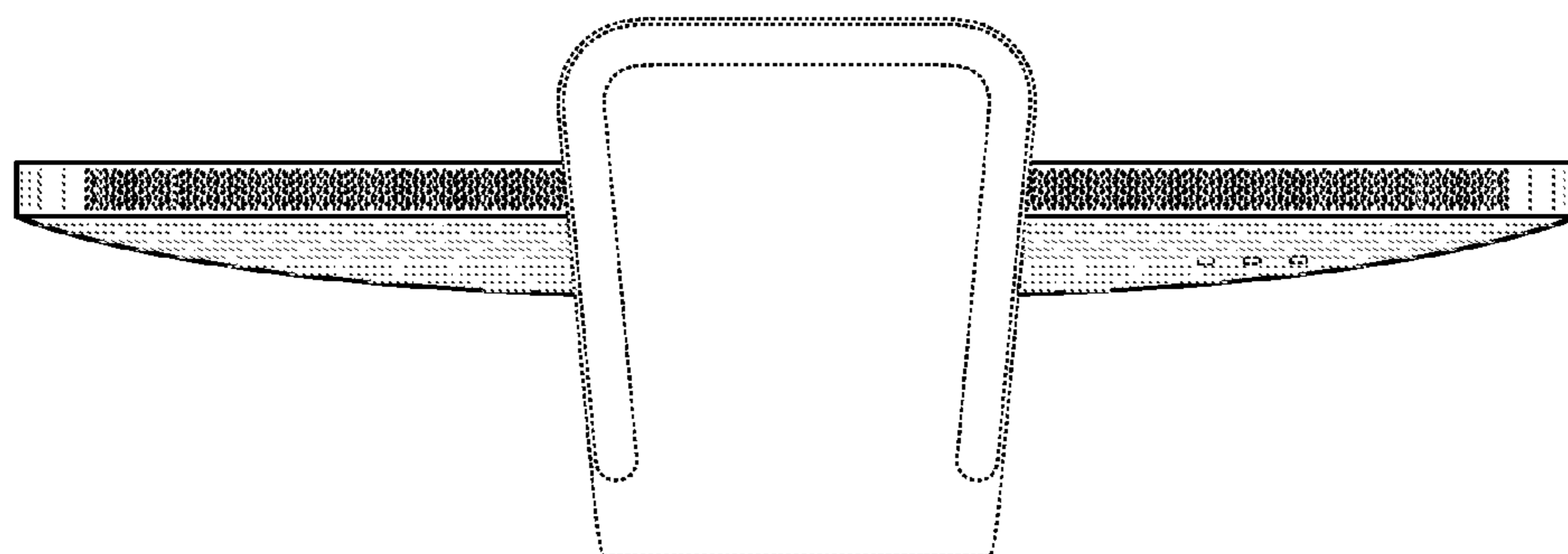


Fig. 15

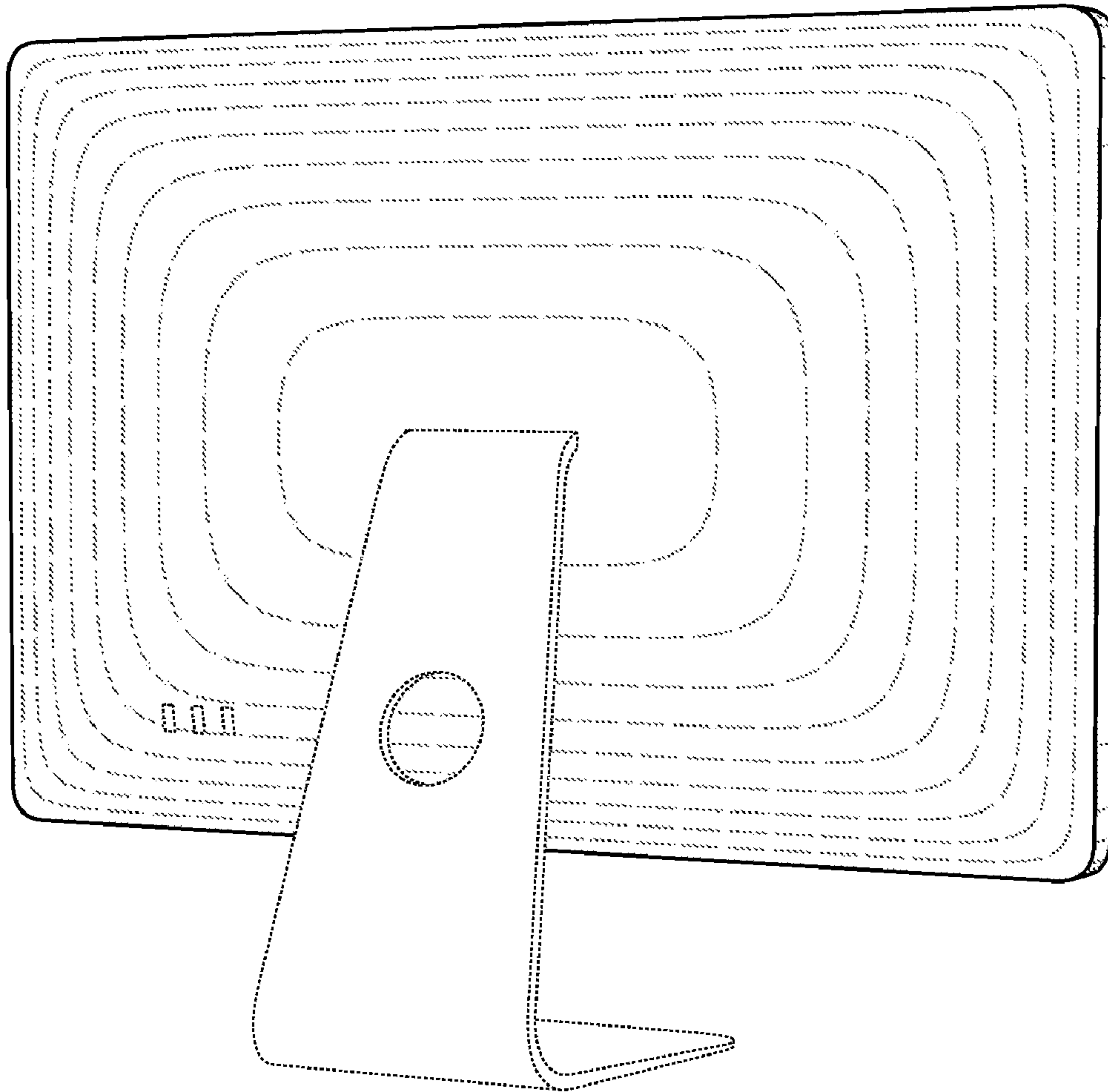


Fig. 16