

US00D638009S

(12) **United States Design Patent**  
**Huang et al.**

(10) **Patent No.:** **US D638,009 S**

(45) **Date of Patent:** **\*\* May 17, 2011**

(54) **HOLDER FOR A HANDSET**

(75) Inventors: **Chao Huang**, Helsinki (FI); **Anna Klemettilä-Sorri**, Espoo (FI)

(73) Assignee: **Nokia Corporation**, Espoo (FI)

(\*\*) Term: **14 Years**

(21) Appl. No.: **29/378,000**

(22) Filed: **Oct. 28, 2010**

(51) **LOC (9) Cl.** ..... **14-03**

(52) **U.S. Cl.** ..... **D14/253**

(58) **Field of Classification Search** ..... D14/140,  
D14/142, 149, 217, 240, 251–253, 434, 447,  
D14/452, 454, 148, 299; D8/363, 373; D12/415;  
248/206.2–206.4, 220.21, 279.1; 379/426,  
379/446, 454, 455; D13/107–108; D16/242;  
D3/218

See application file for complete search history.

(56) **References Cited**

**U.S. PATENT DOCUMENTS**

D150,821 S *	9/1948	Bianchi .....	D14/253
D274,787 S *	7/1984	Cronce .....	D8/373
D281,657 S *	12/1985	Roczey .....	D14/454
D285,198 S *	8/1986	Danielson et al. ....	D14/142
D310,997 S *	10/1990	Tholberg .....	D14/251
D326,856 S *	6/1992	Hare et al. ....	D14/253
D347,831 S *	6/1994	Lam .....	D14/454
D351,384 S *	10/1994	Pena Angarita .....	D14/149
D374,425 S *	10/1996	Crane .....	D13/107
D393,795 S *	4/1998	Bernstein .....	D8/373
D413,608 S *	9/1999	Bryant et al. ....	D14/253
D413,897 S *	9/1999	Richter .....	D14/253
D434,306 S *	11/2000	Brown .....	D8/373
D478,074 S *	8/2003	Lam .....	D14/253
D526,996 S *	8/2006	Sbordon, Jr. ....	D14/253
D539,291 S *	3/2007	Li et al. ....	D14/447

D571,815 S *	6/2008	Chung .....	D14/447
D574,375 S *	8/2008	Prest et al. ....	D14/253
D608,356 S *	1/2010	Peyridieu .....	D14/253
D614,167 S	4/2010	Brickstad	
D616,431 S *	5/2010	Hijmans .....	D14/253
D618,692 S *	6/2010	Deutsch et al. ....	D14/447
D622,274 S *	8/2010	Green .....	D14/447
D624,049 S *	9/2010	Liu .....	D14/217
D626,964 S *	11/2010	Richardson et al. ....	D14/447
D634,303 S *	3/2011	Beedham .....	D14/217
2010/0213331 A1 *	8/2010	Liou .....	248/176.3

**FOREIGN PATENT DOCUMENTS**

WO DM/068857 \* 4/2007

**OTHER PUBLICATIONS**

Aimee Lobb Cellphone holder, <URL:http://www.techlink.org.nz/student-showcase/materials/PDF-download/Aimee-Lobb.pdf>, retrieved from internet Mar. 24, 2011.\*

\* cited by examiner

*Primary Examiner* — Rob Spear

*Assistant Examiner* — Carla Wright

(74) *Attorney, Agent, or Firm* — Banner & Witcoff, Ltd.

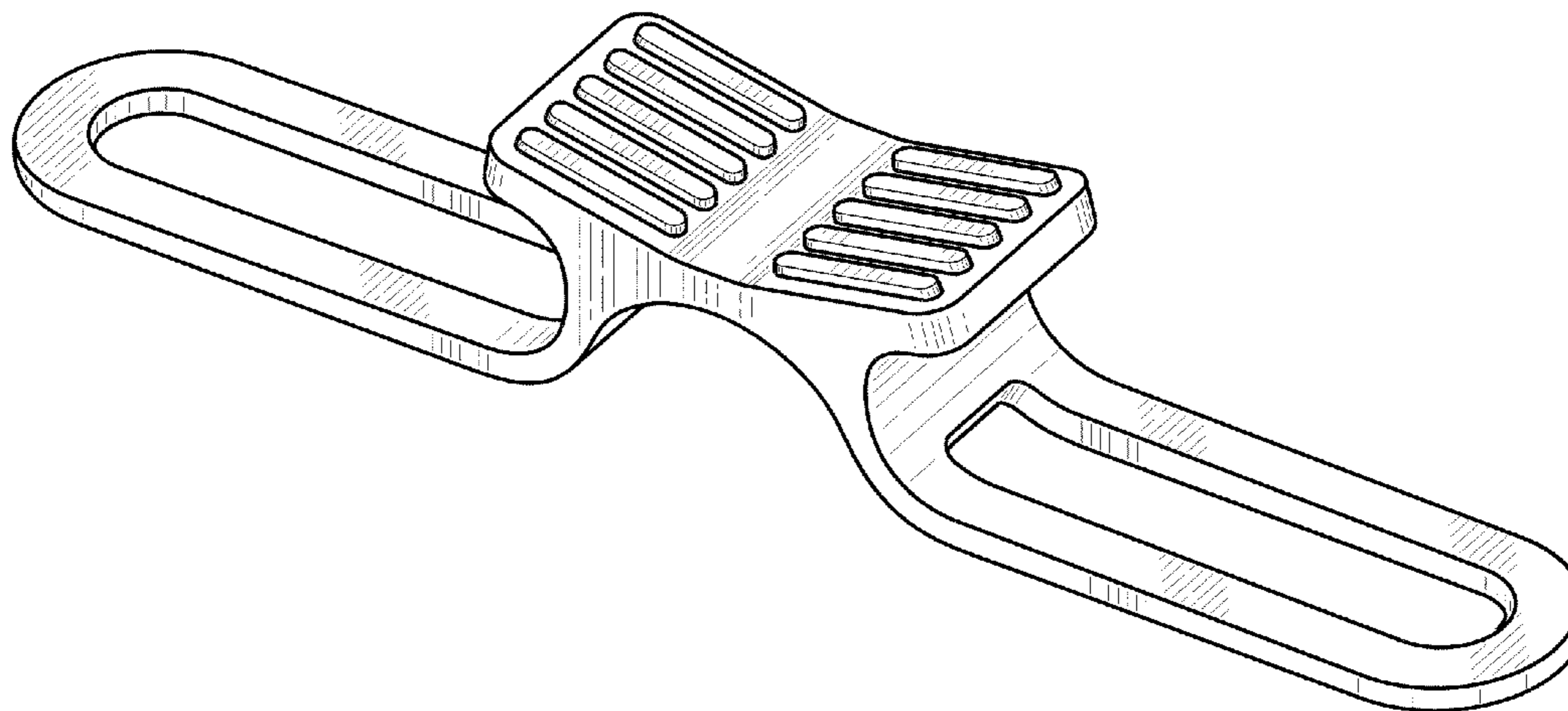
(57) **CLAIM**

The ornamental design for a holder for a handset, as shown and described.

**DESCRIPTION**

FIG. 1 is a perspective view of a holder for a handset showing my new design;  
FIG. 2 is a top view thereof;  
FIG. 3 is a bottom view thereof;  
FIG. 4 is a left side view thereof;  
FIG. 5 is a right side view thereof;  
FIG. 6 is a front view thereof; and,  
FIG. 7 is a rear view thereof.

**1 Claim, 4 Drawing Sheets**



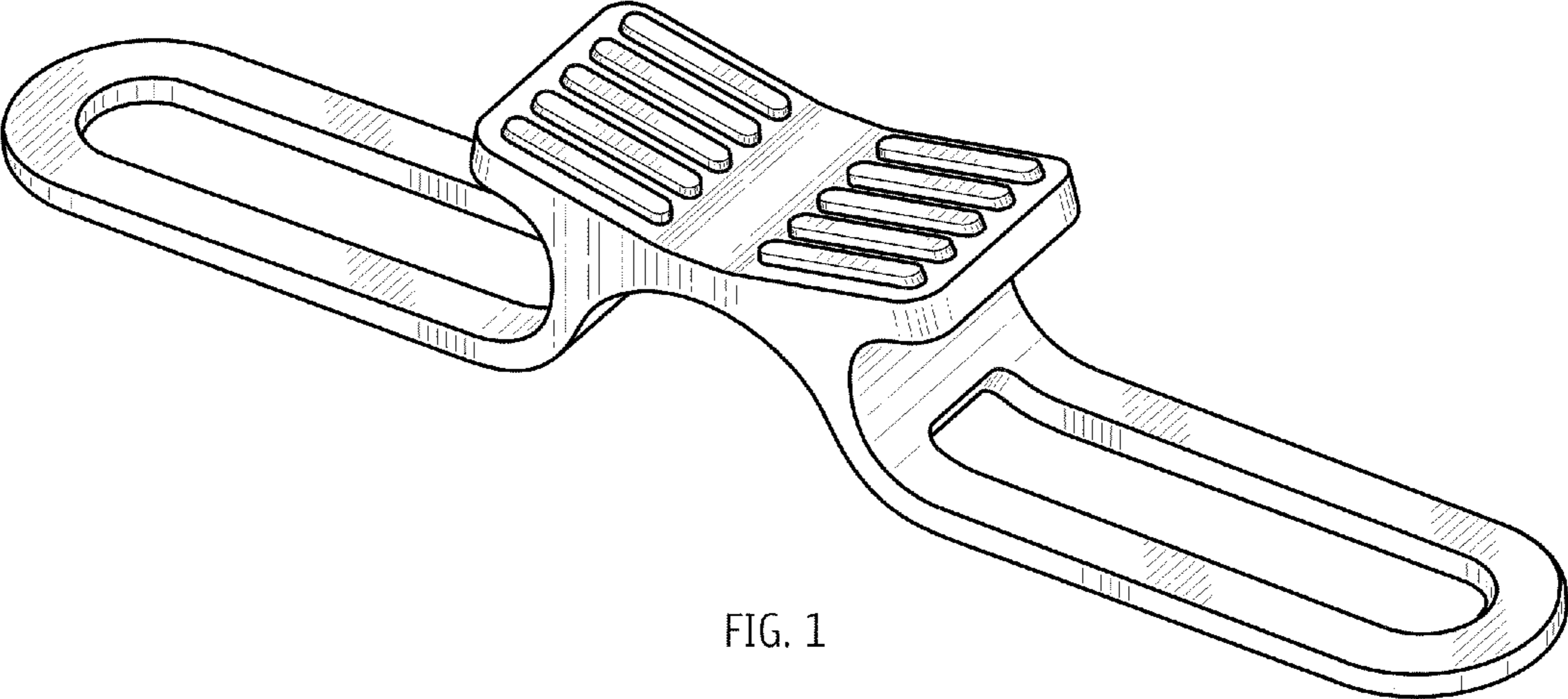


FIG. 1

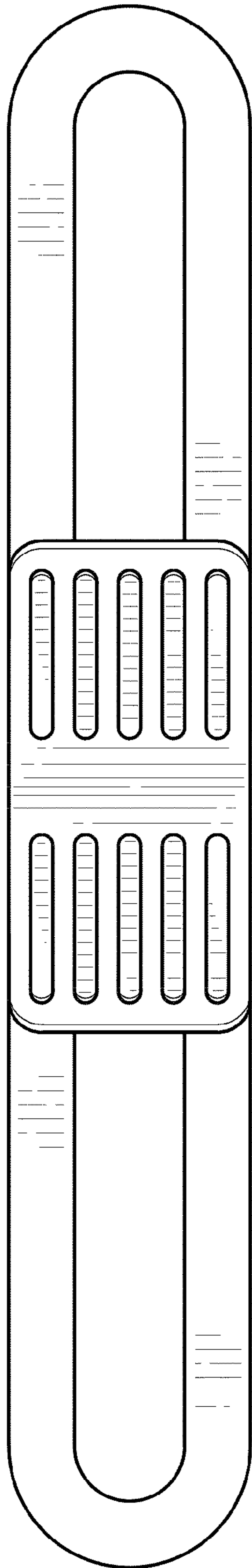


FIG. 2

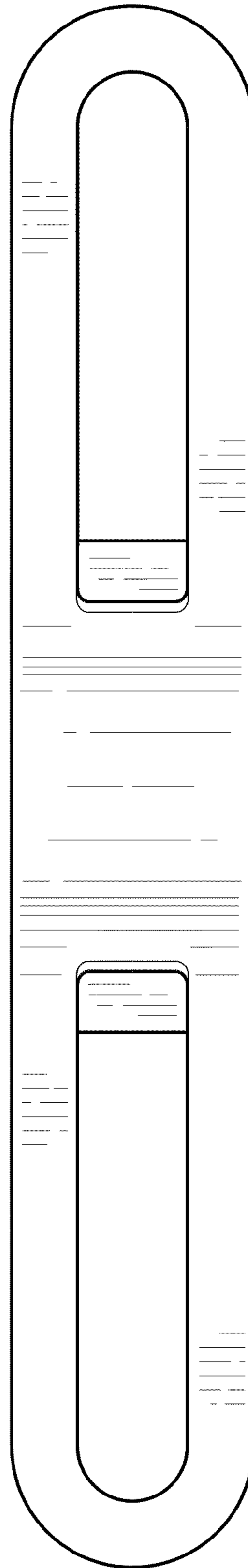
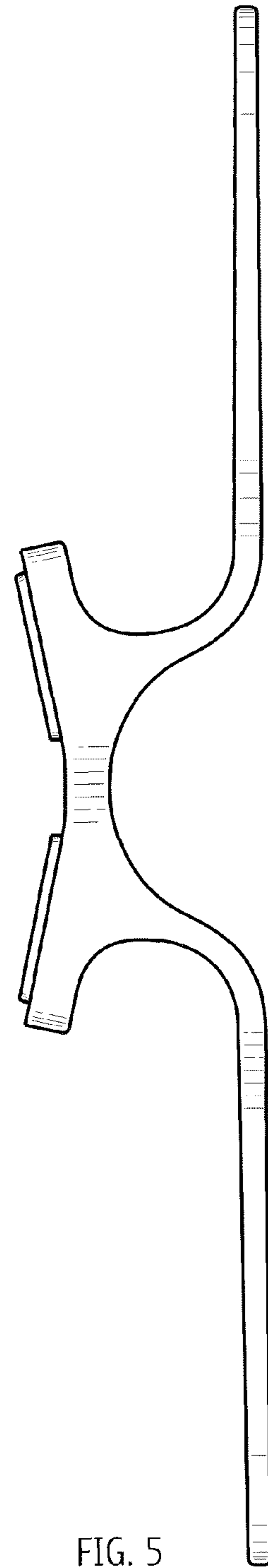
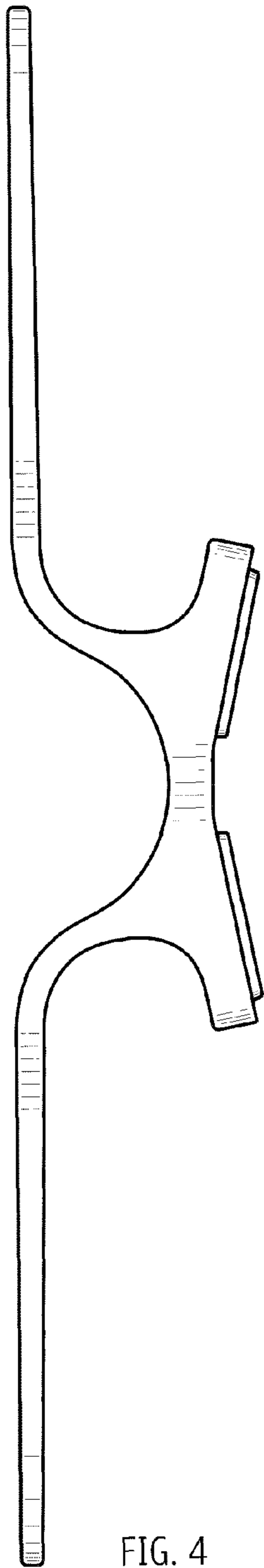


FIG. 3



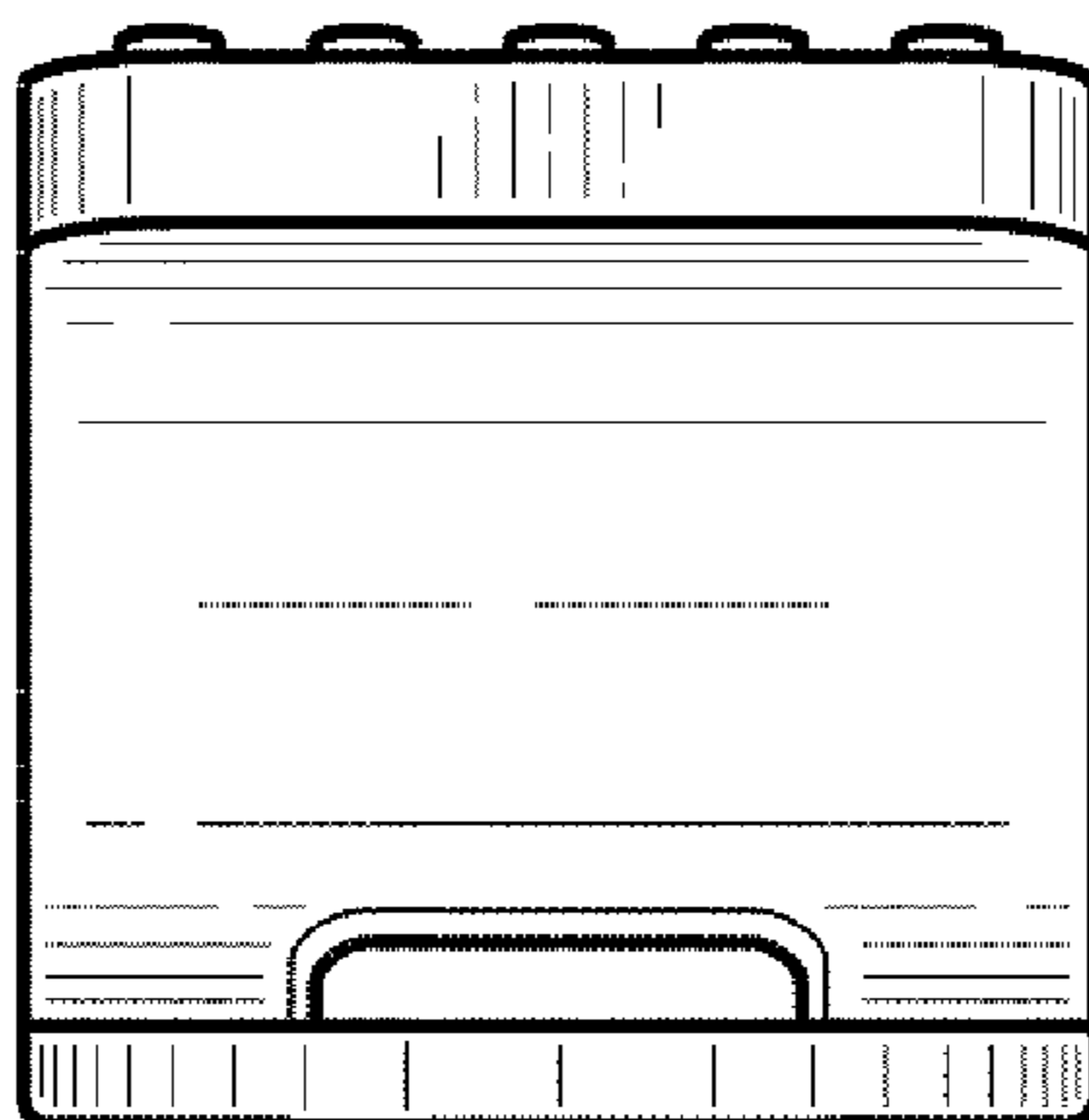


FIG. 6

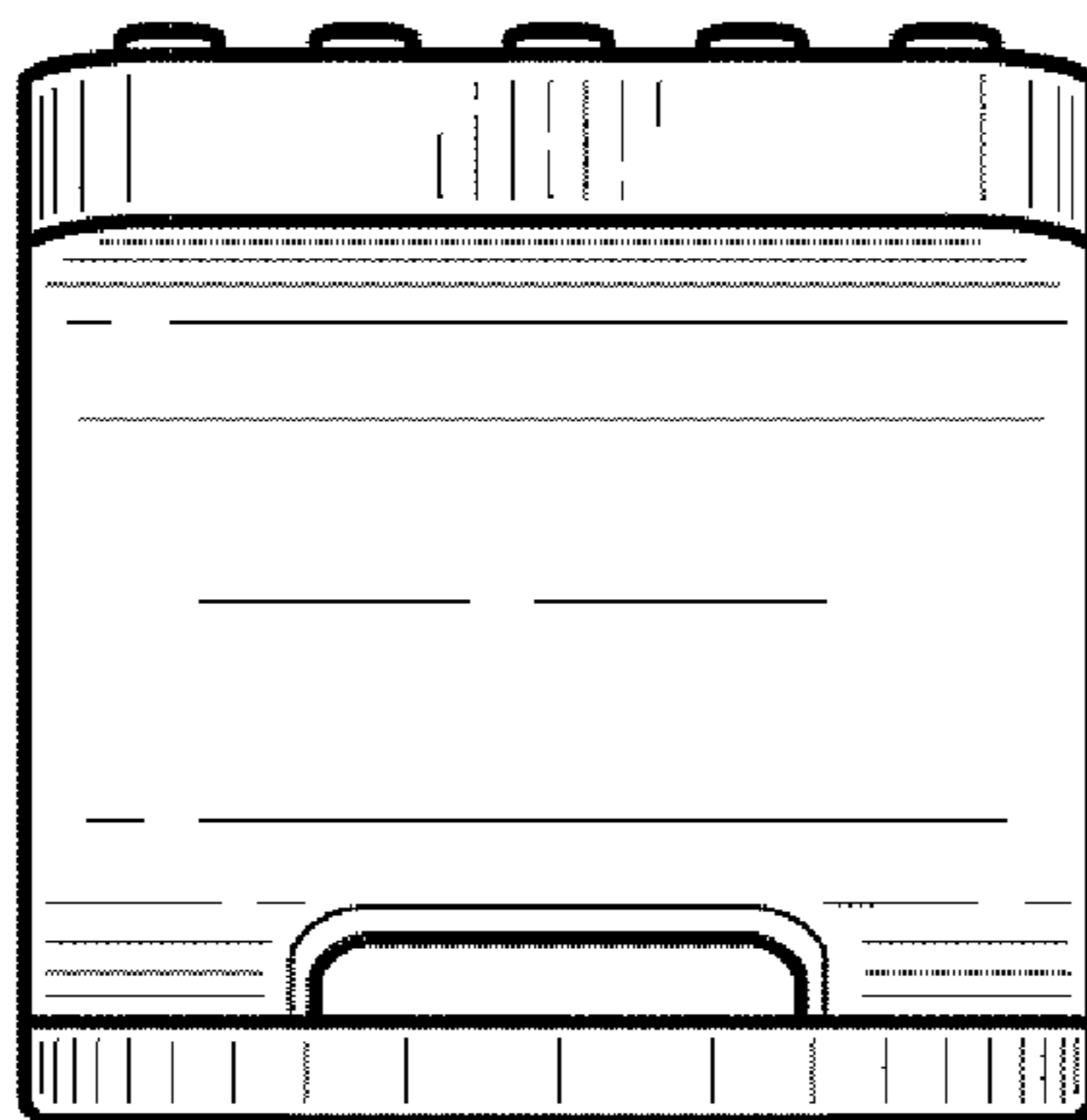


FIG. 7