



US00D638008S

(12) **United States Design Patent**  
**Richter**

(10) **Patent No.:** **US D638,008 S**

(45) **Date of Patent:** **\*\* May 17, 2011**

(54) **SUCTION CUP APPARATUS HOLDER**

(76) Inventor: **Harald Richter**, Engelbrand (DE)

(\*\*) Term: **14 Years**

(21) Appl. No.: **29/372,491**

(22) Filed: **Nov. 27, 2010**

(51) **LOC (9) Cl.** ..... **14-03**

(52) **U.S. Cl.** ..... **D14/253**

(58) **Field of Classification Search** ..... D14/140,  
D14/140.1, 142, 144, 145, 147-151, 217,  
D14/224, 229, 240, 242, 243, 252, 253, 299,  
D14/447, 483, 214, 224.1, 227, 434, 218,  
D14/216, 191, 496, 451, 452; D13/107-108,  
D13/168; 361/679.41; 439/534; 320/10,  
320/115, 116, 107; D10/65; D8/354, 355,  
D8/363; D12/415; 379/449, 455; 248/122.1,  
248/127, 157, 205.8, 206.2, 279.1, 205.5,  
248/309.1, 309.3, 352

See application file for complete search history.

(56) **References Cited**

**U.S. PATENT DOCUMENTS**

D361,768 S *	8/1995	Chen	.....	D14/251
D521,850 S *	5/2006	Richter et al.	.....	D8/354
D545,825 S *	7/2007	Richter	.....	D14/447
D553,958 S *	10/2007	Brassard	.....	D8/363
D554,136 S *	10/2007	Richter	.....	D14/447
D554,137 S *	10/2007	Richter	.....	D14/447
D560,592 S *	1/2008	Brassard	.....	D12/415
7,357,361 B2 *	4/2008	Yen	.....	248/205.8
D570,836 S *	6/2008	Chen	.....	D14/253
D587,188 S *	2/2009	Mo	.....	D12/415
D590,238 S *	4/2009	Richter	.....	D8/363
D590,834 S *	4/2009	Richter	.....	D14/447
D590,835 S *	4/2009	Richter	.....	D14/447
D592,205 S *	5/2009	O'Brien	.....	D14/253
D592,206 S *	5/2009	O'Brien	.....	D14/253
D593,566 S *	6/2009	Richter	.....	D14/447
D599,355 S *	9/2009	Richter	.....	D14/447
D602,025 S *	10/2009	Richter	.....	D14/447
D603,322 S *	11/2009	Nicieja	.....	D12/415
D614,613 S *	4/2010	Kim et al.	.....	D14/253
D619,586 S *	7/2010	Richter	.....	D14/447

D619,587 S *	7/2010	Richter	.....	D14/447
D626,541 S *	11/2010	Kim et al.	.....	D14/253
2004/0011932 A1 *	1/2004	Duff	.....	248/157

**OTHER PUBLICATIONS**

PDA Holder, <URL:http://www.best-b2b.com/Products/927/950-3/pda-holder\_489705.html>, retrieved from internet Feb. 10, 2011.\*

\* cited by examiner

*Primary Examiner* — Robert M Spear

*Assistant Examiner* — Carla Jobe Wright

(74) *Attorney, Agent, or Firm* — Klaus J. Bach

(57) **CLAIM**

The ornamental design for a suction cup apparatus holder, as shown and described.

**DESCRIPTION**

FIG. 1 is a perspective top view of a suction cup apparatus holder;

FIG. 2 is a front view of the suction cup apparatus holder shown in FIG. 1,

FIG. 3 is a rear view of the suction cup apparatus holder shown in FIG. 2,

FIG. 4 is a right side view of the suction cup apparatus holder shown in FIG. 3,

FIG. 5 is a left side view of the suction cup apparatus holder shown in FIG. 3,

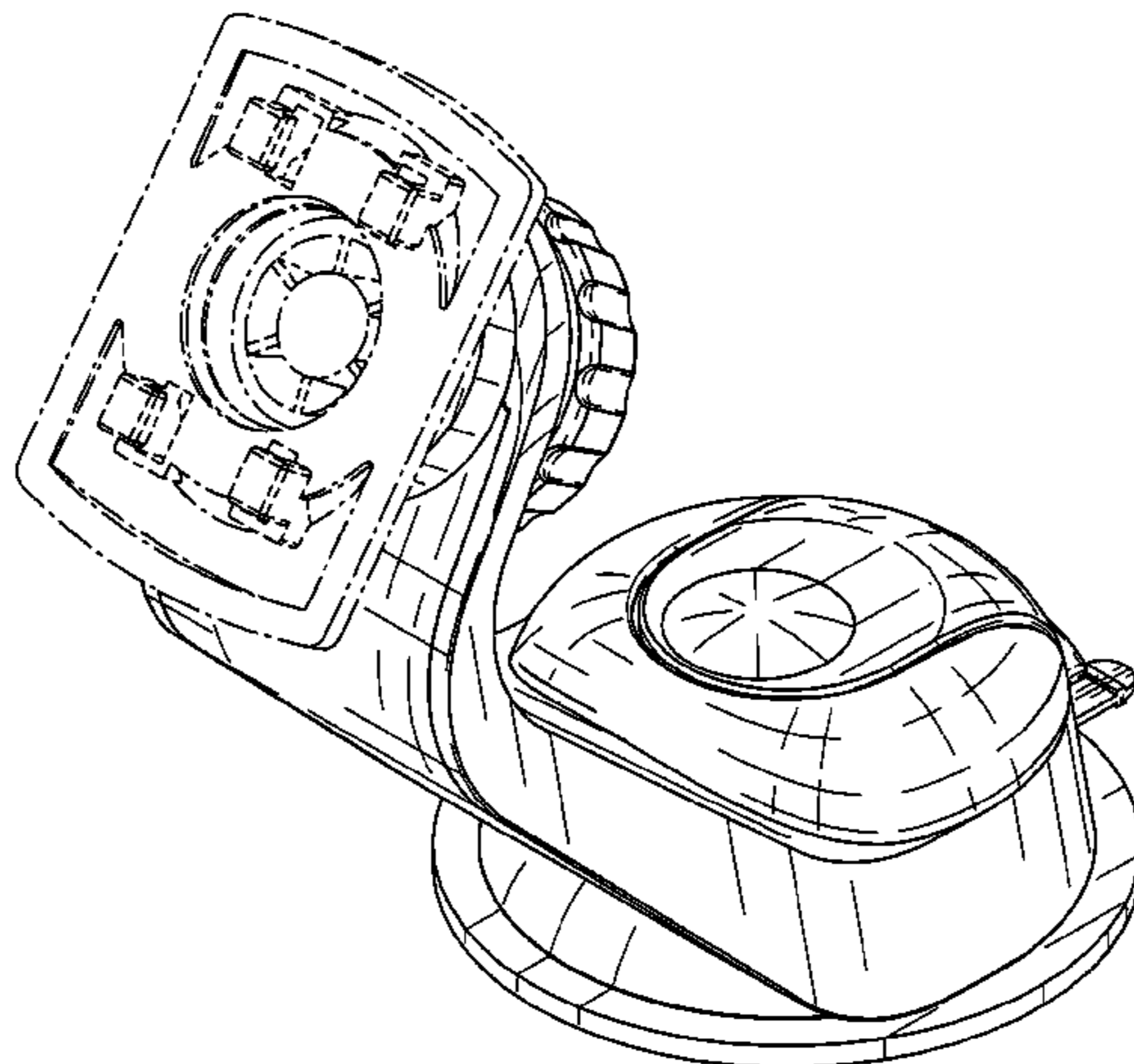
FIG. 6 is a top view of the suction cup apparatus holder shown in FIG. 3; and,

FIG. 7 is a perspective bottom view of the suction cup apparatus holder shown in FIG. 1.

The suction cup apparatus holder is used for supporting an apparatus holder on a flat smooth surface for holding an adapter engaging an apparatus such as a cellular phone or a GPS for example, or an apparatus directly if it is designed to be directly engaged by a retaining structure provided on the apparatus holders support surface.

In the drawings, the broken lines depict portions of the suction cup apparatus holder that form no part of the claimed design.

**1 Claim, 7 Drawing Sheets**



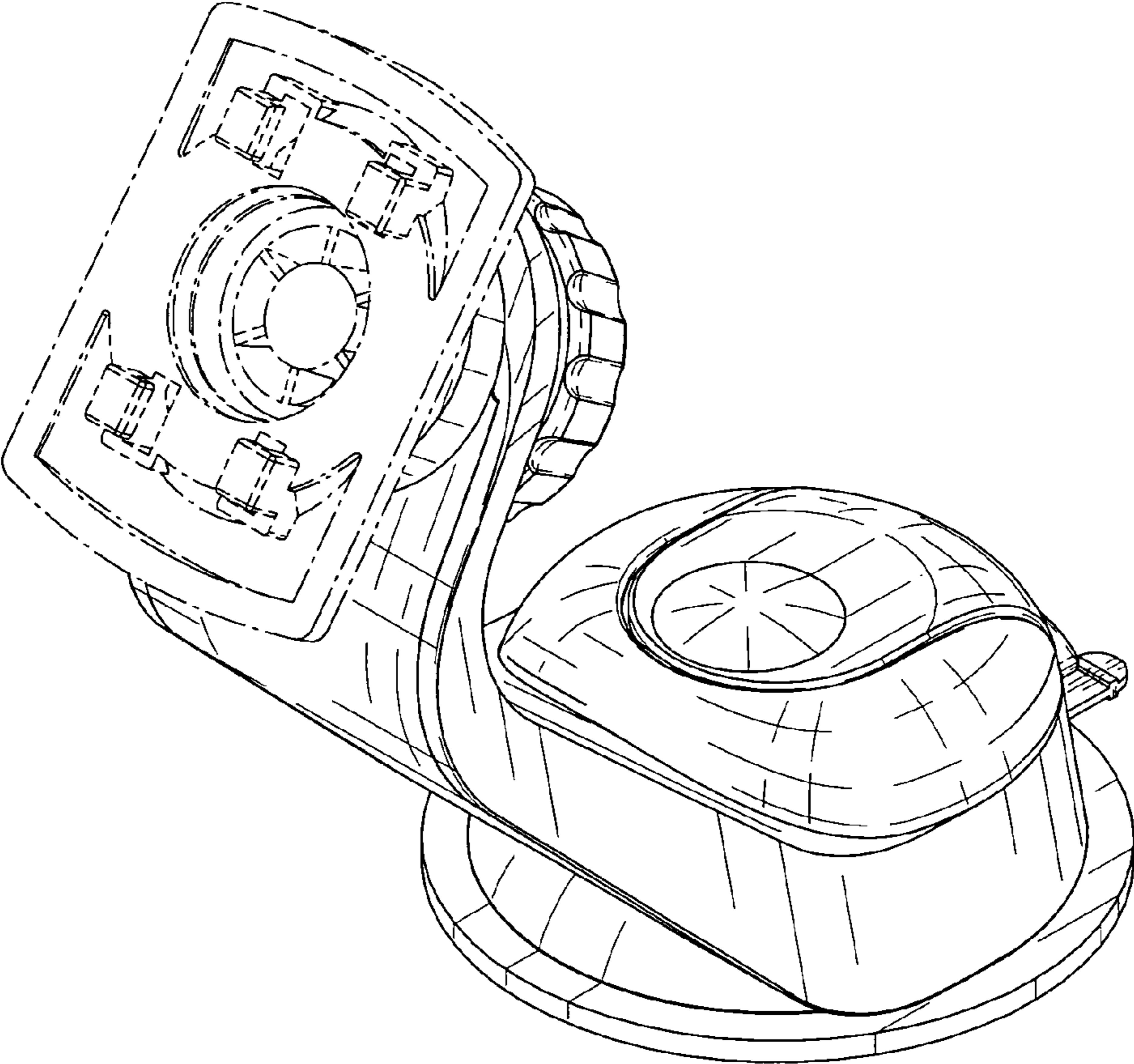


FIG.1

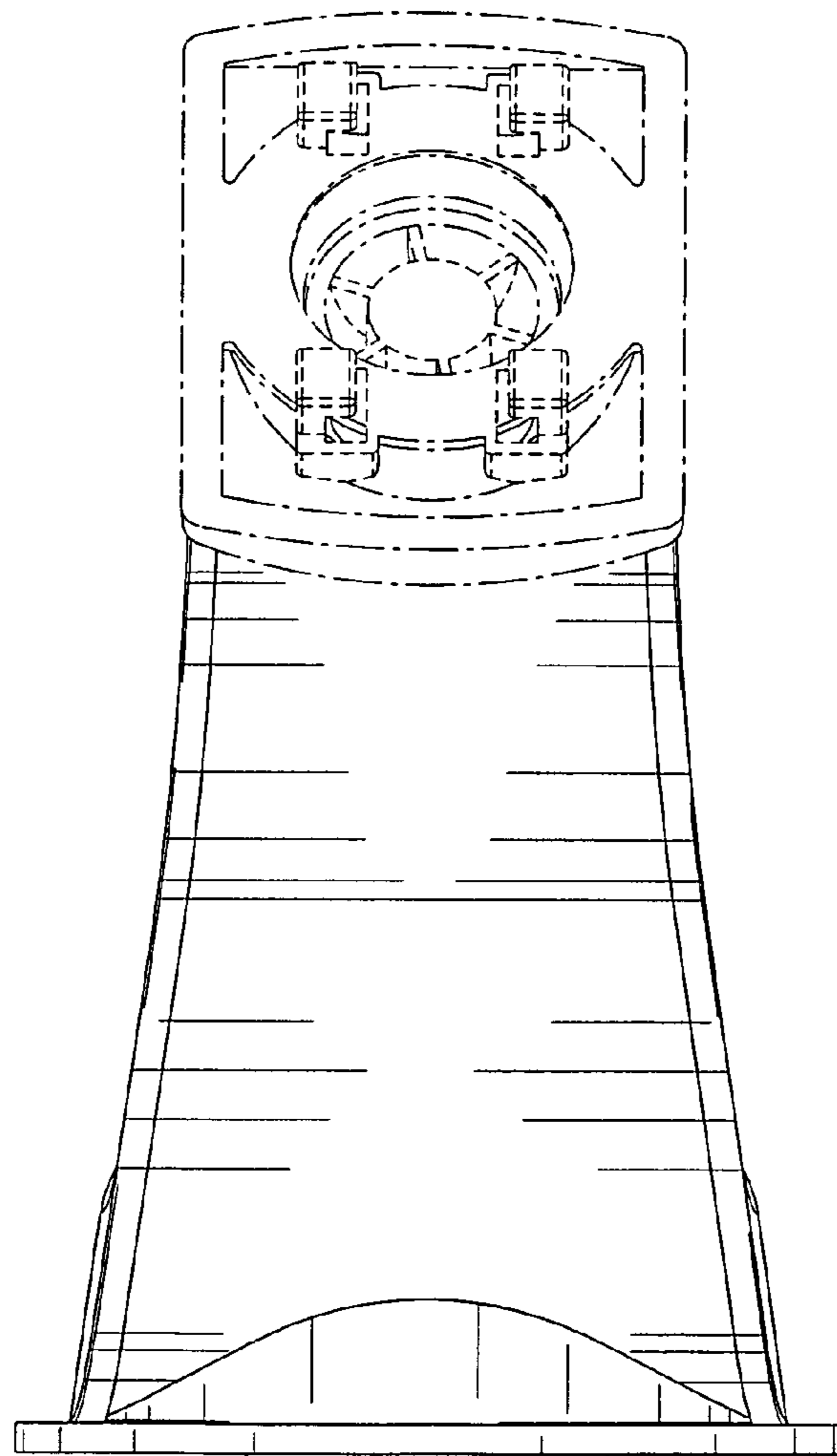


FIG. 2

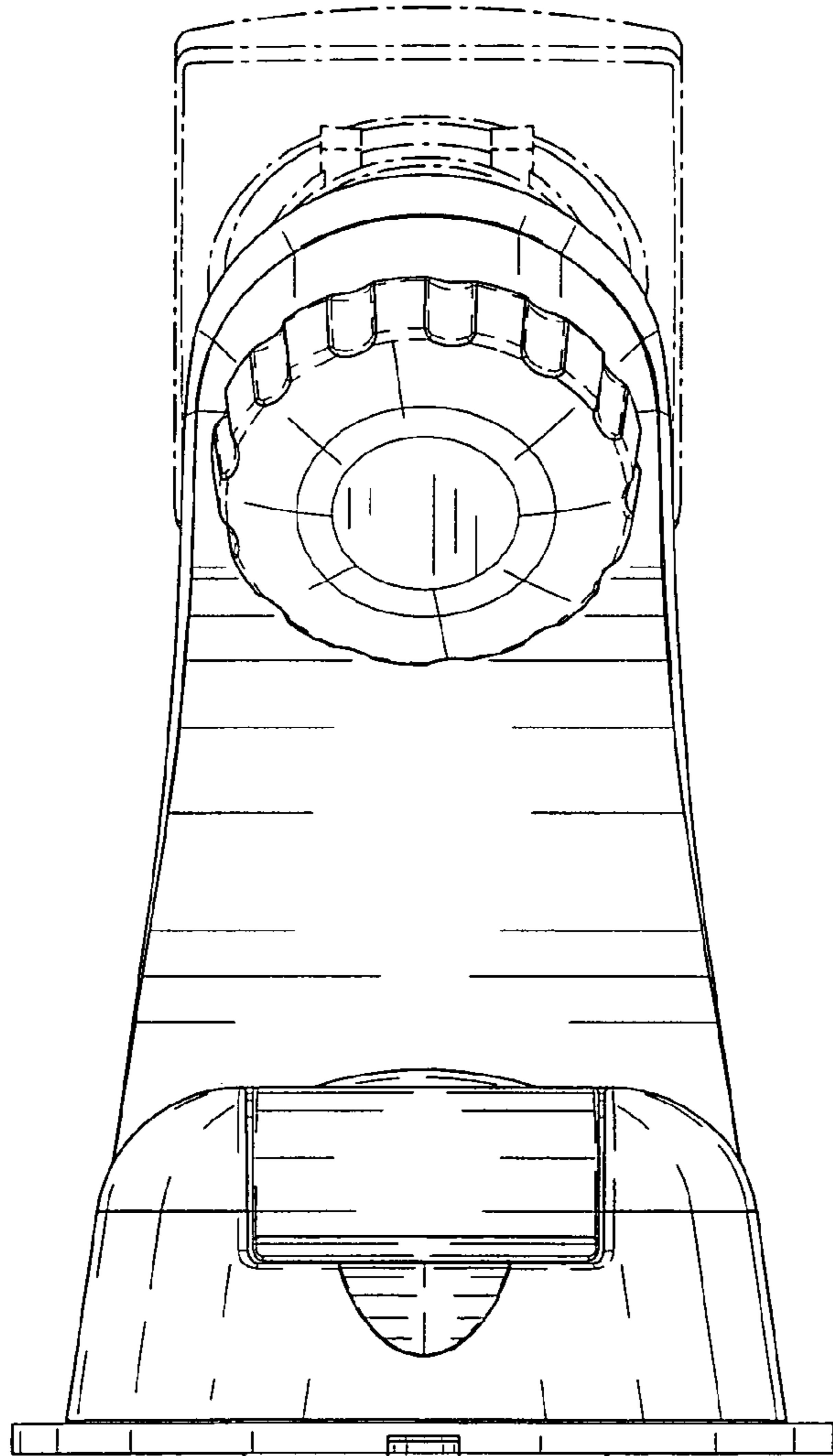


FIG. 3

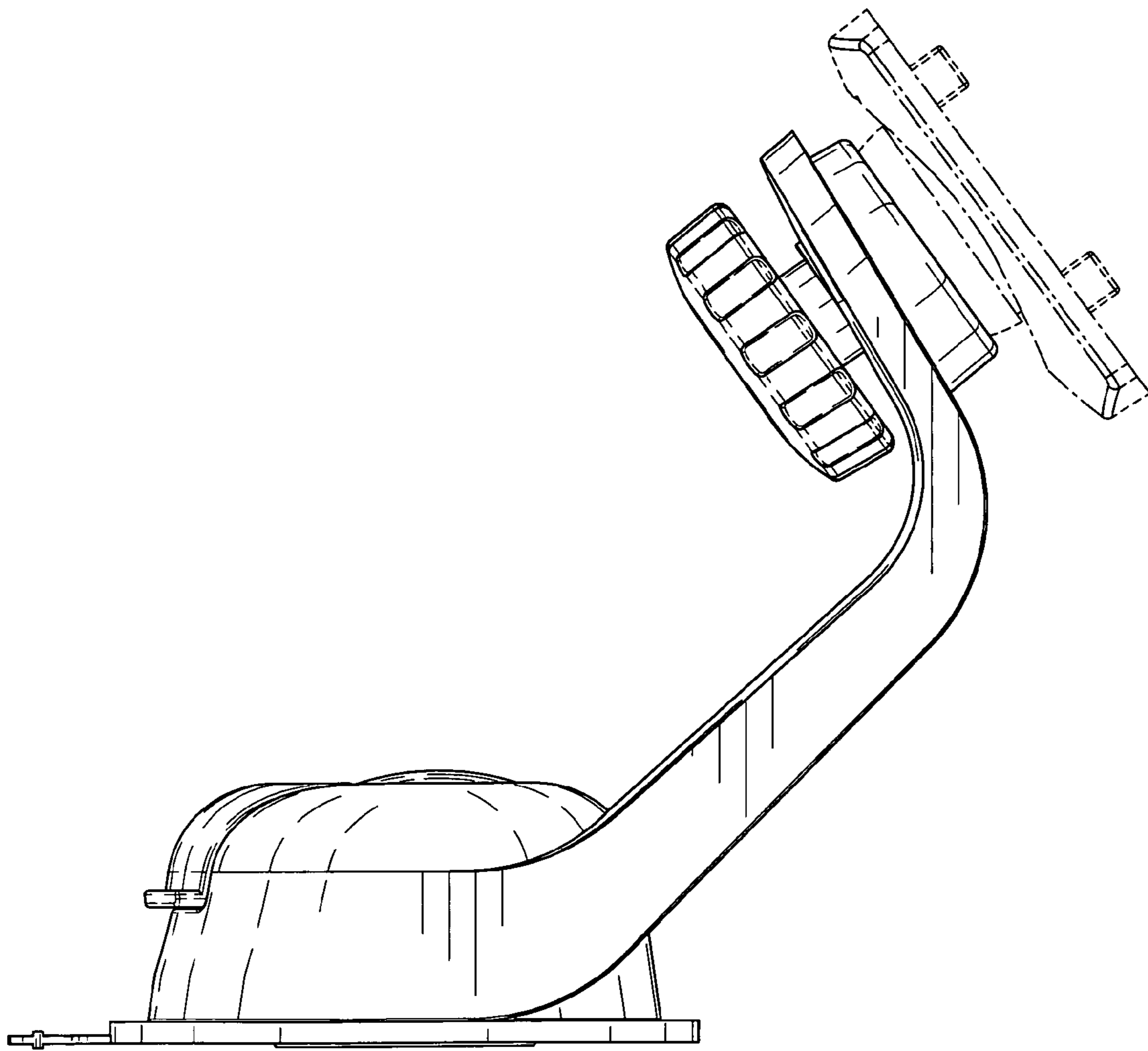


FIG. 4



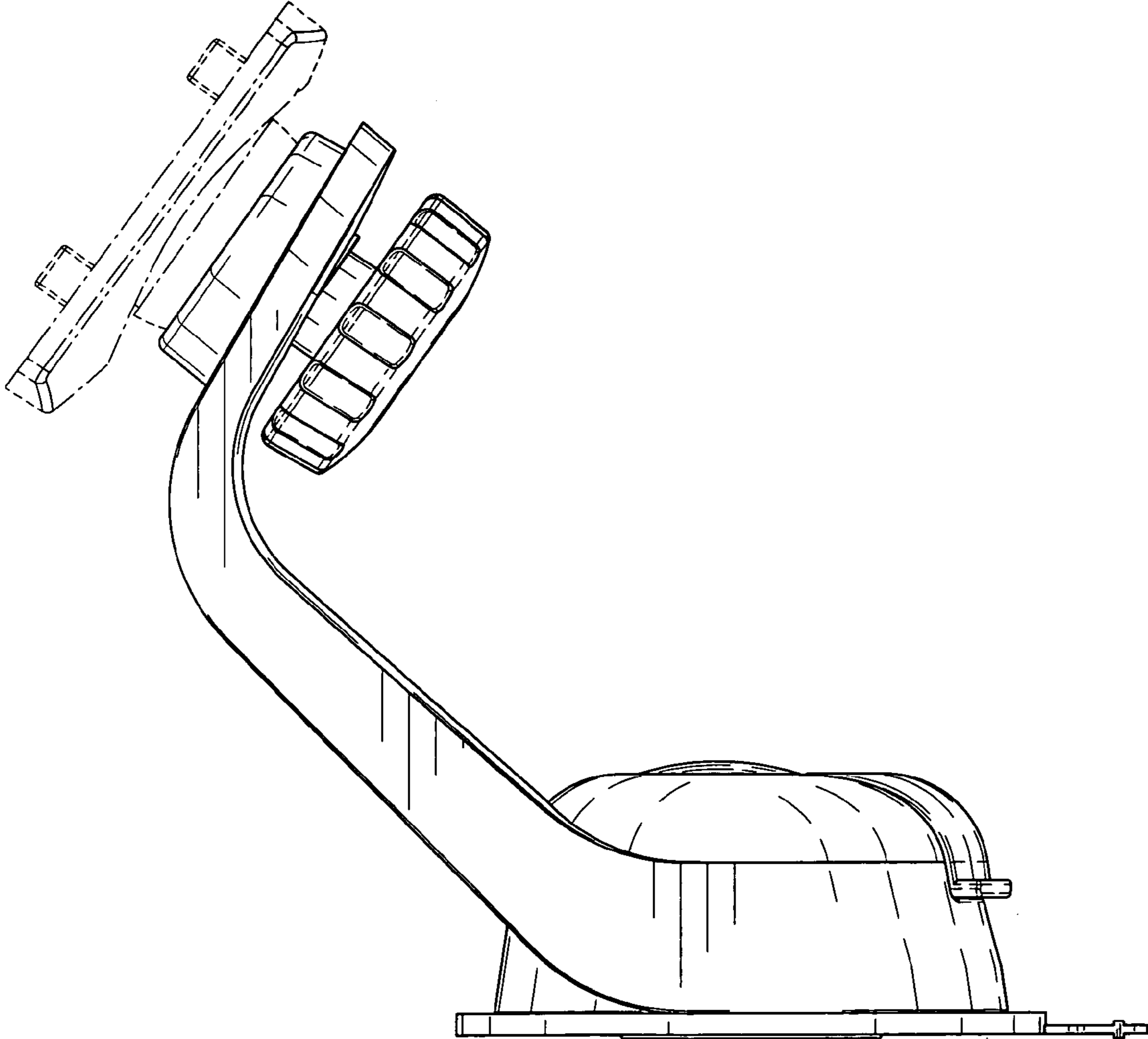


FIG. 5

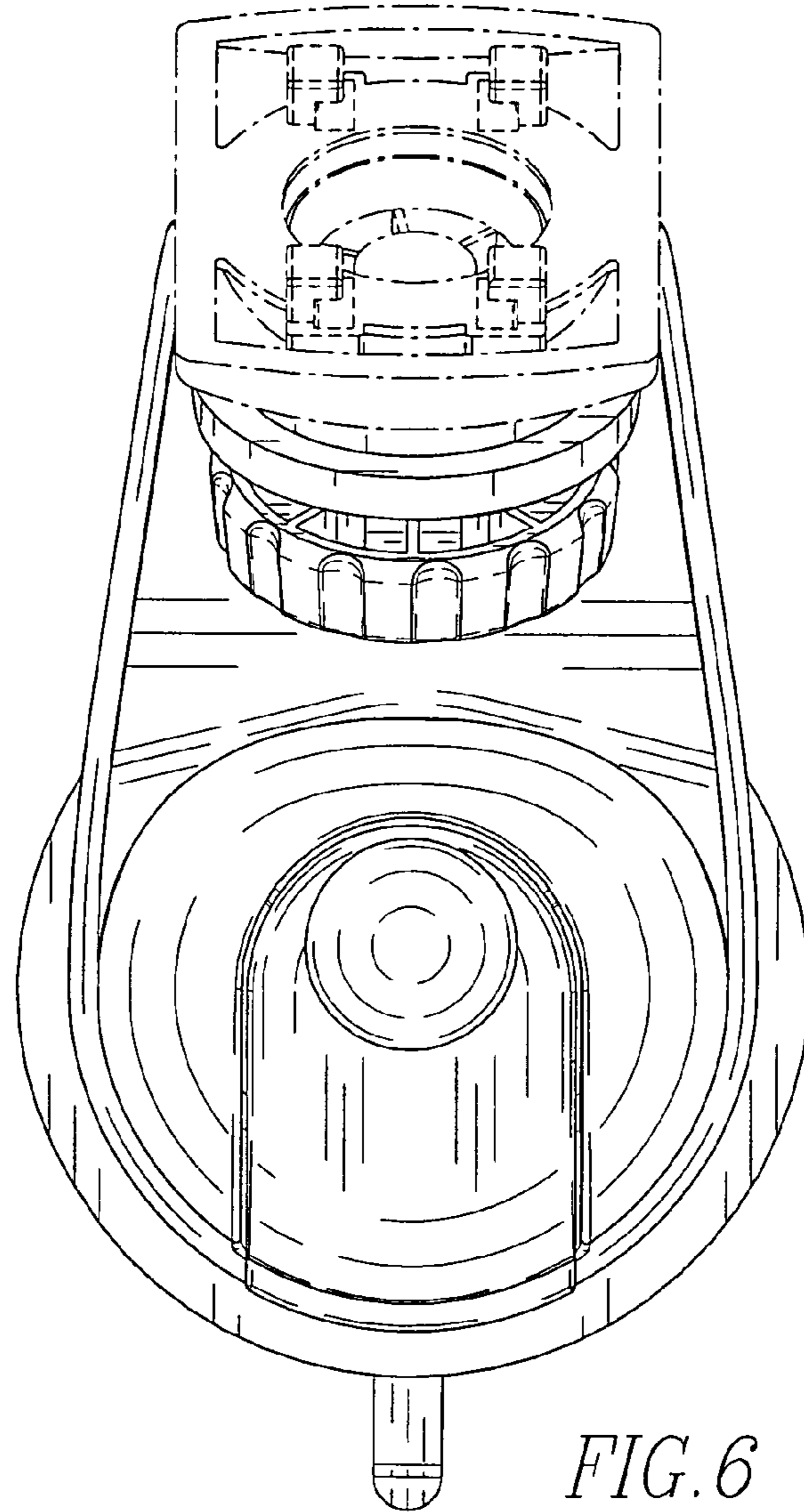


FIG. 6

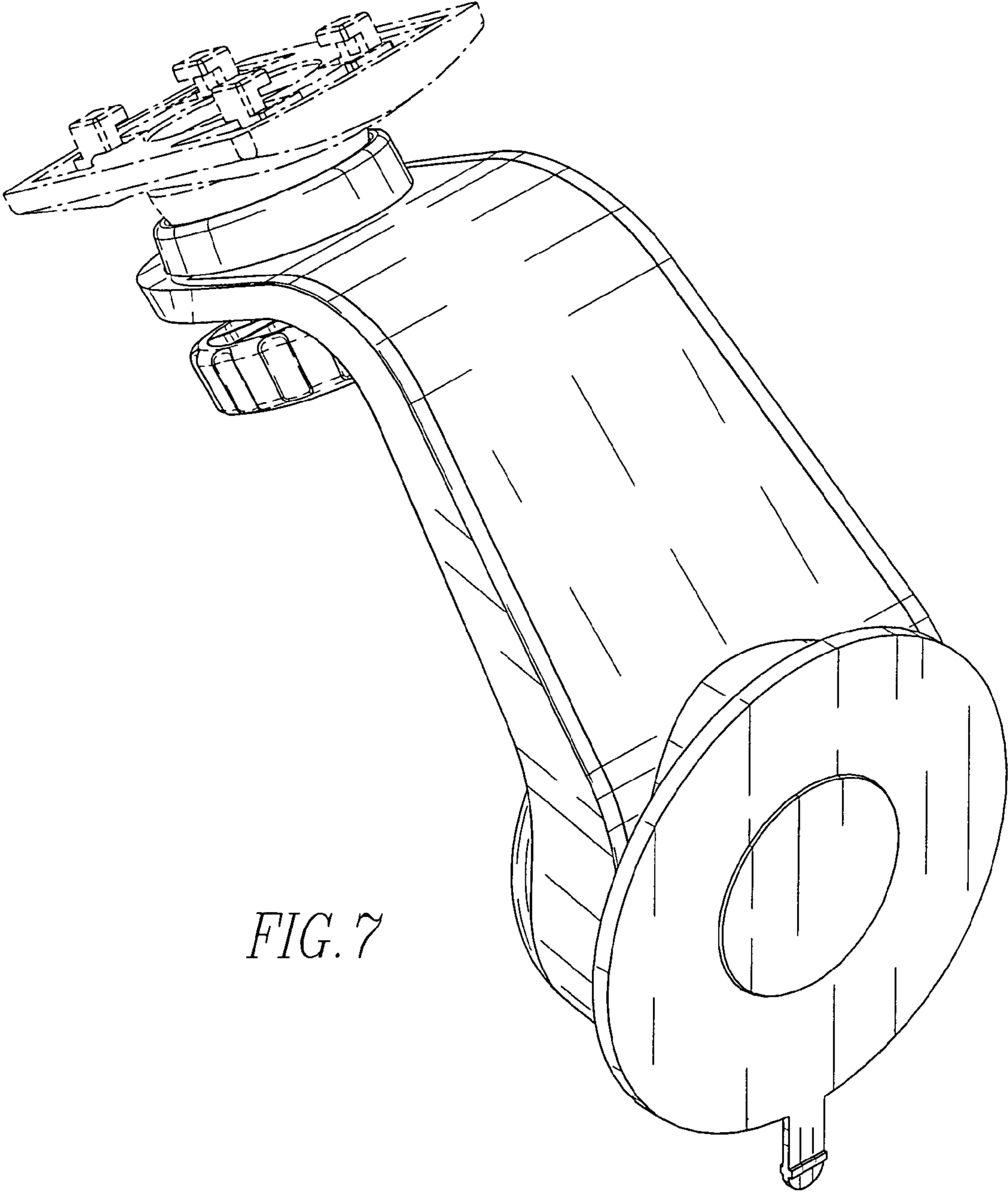


FIG. 7