



US00D638004S

(12) **United States Design Patent**
Salazar et al.

(10) **Patent No.:** **US D638,004 S**

(45) **Date of Patent:** **** May 17, 2011**

(54) **HANDSET COMPONENT**

(75) Inventors: **Eduardo Salazar**, Reseda, CA (US);
Frank Nuovo, Los Angeles, CA (US)

(73) Assignee: **Nokia Corporation**, Espoo (FI)

(**) Term: **14 Years**

(21) Appl. No.: **29/334,294**

(22) Filed: **Mar. 24, 2009**

(51) **LOC (9) Cl.** **14-03**

(52) **U.S. Cl.** **D14/248**

(58) **Field of Classification Search** D14/138 AA,
D14/138 AB, 138 AC, 138 AD, 138 C, 138 G,
D14/138 R, 147, 148, 156, 218, 248, 341-347;
D21/329, 331, 333, 517; 348/14.01, 14.02;
361/814; 379/433.01, 433.13; 455/90.3,
455/556.1, 556.2, 556, 575.1, 575.3, 575.4;
D13/108, 164, 168

See application file for complete search history.

(56) **References Cited**

U.S. PATENT DOCUMENTS

D568,849 S 5/2008 Nuovo
D569,822 S 5/2008 Laine
D611,465 S * 3/2010 Corley et al. D14/248

D612,842 S * 3/2010 Anderson D14/248
D613,281 S * 4/2010 Wang et al. D14/248
D614,612 S * 4/2010 Salazar et al. D14/248

* cited by examiner

Primary Examiner — Susan Bennett Hattan

Assistant Examiner — Barbara Lohr

(74) *Attorney, Agent, or Firm* — Banner & Witcoff, Ltd.

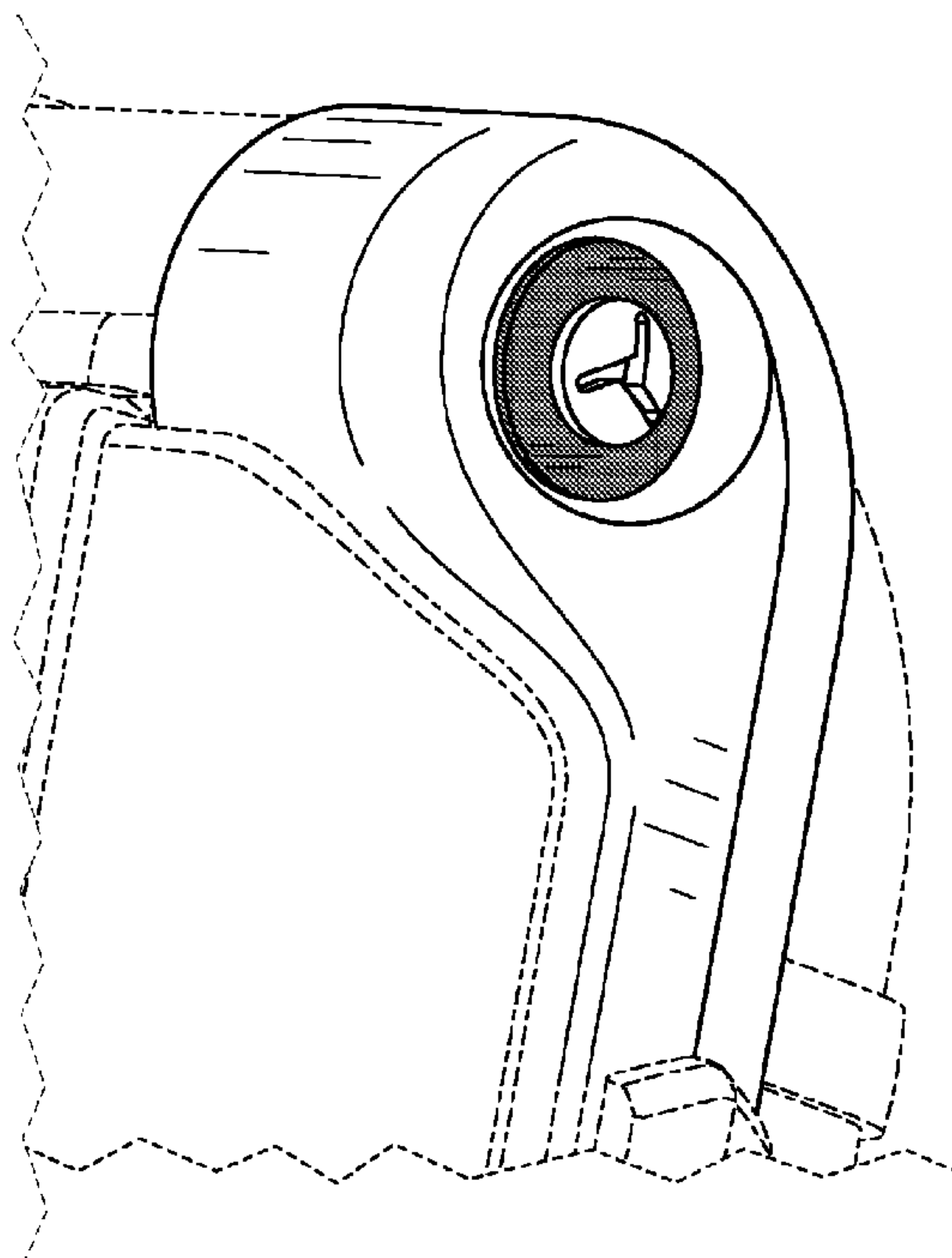
(57) **CLAIM**

The ornamental design for a handset component, as shown and described.

DESCRIPTION

FIG. 1 is a perspective front view of a handset component showing our new design;
FIG. 2 is a front view thereof;
FIG. 3 is a right side view thereof;
FIG. 4 is a left side view thereof;
FIG. 5 is a top view thereof;
FIG. 6 is an enlarged right side view of FIG. 3 to show features of the design; and,
FIG. 7 is an enlarged perspective front view of FIG. 1 thereof. The broken line showing of the environmental structure of the handset in FIGS. 1-7 is for illustrative purposes only and forms no part of the claimed design. The sawtooth broken lines showing the border of the remainder of the handset in FIGS. 6 and 7 is for environmental purposes only and is used for the enlarged views. The change in contrast in shading represents a change in color or material.

1 Claim, 5 Drawing Sheets



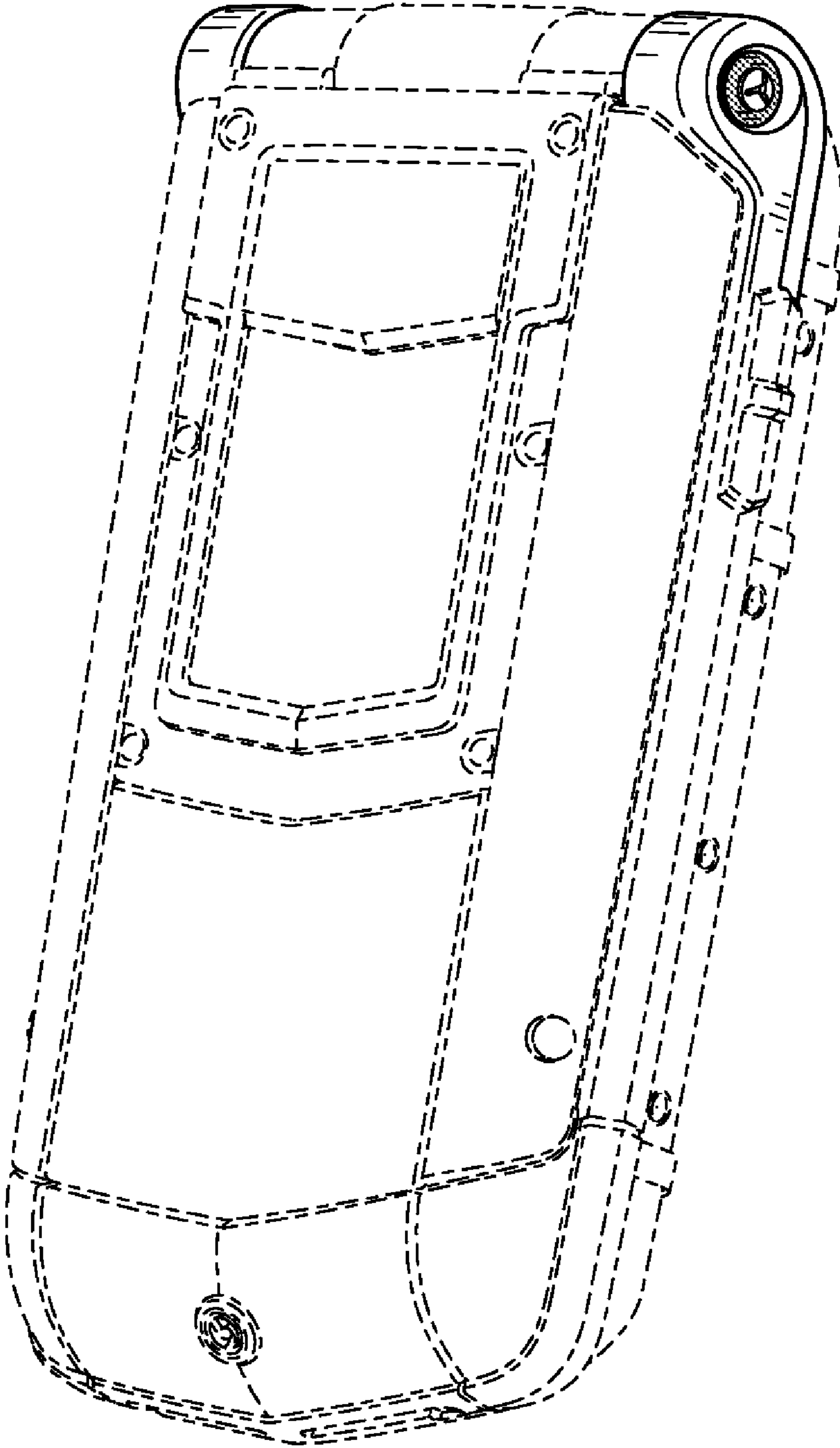


FIG. 1

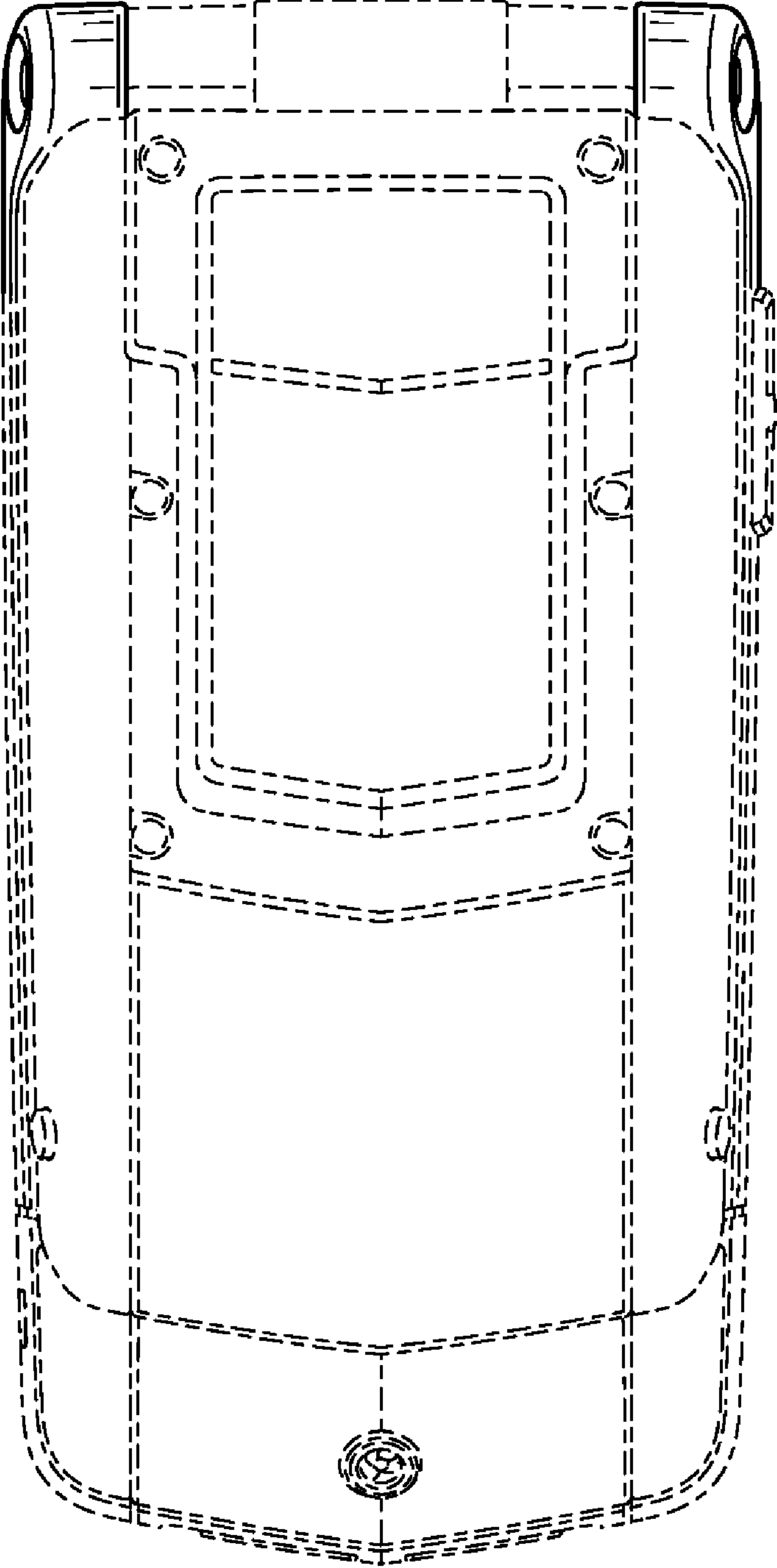


FIG. 2

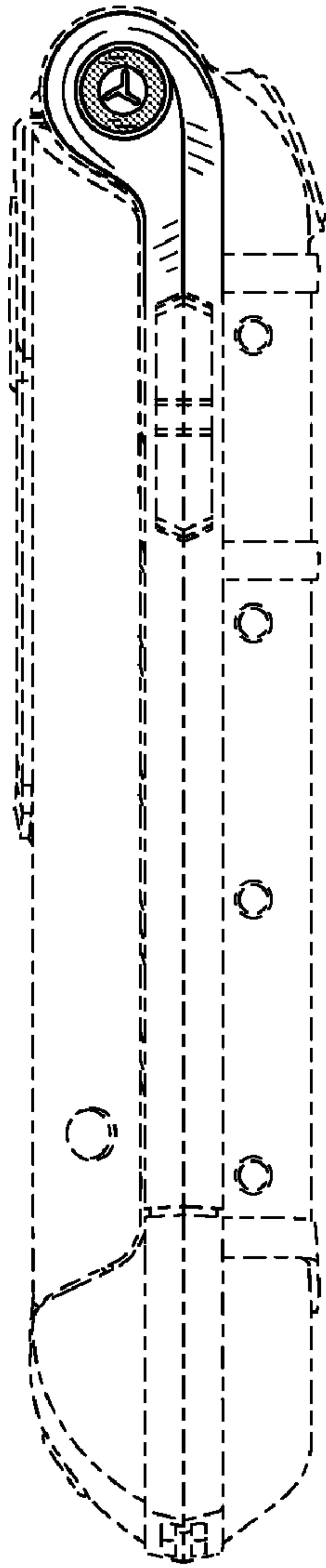


FIG. 3

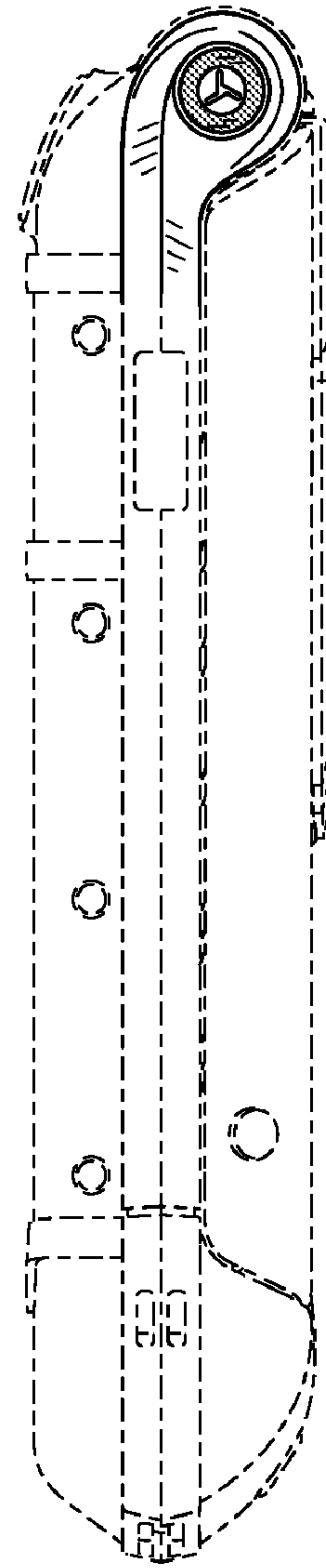


FIG. 4

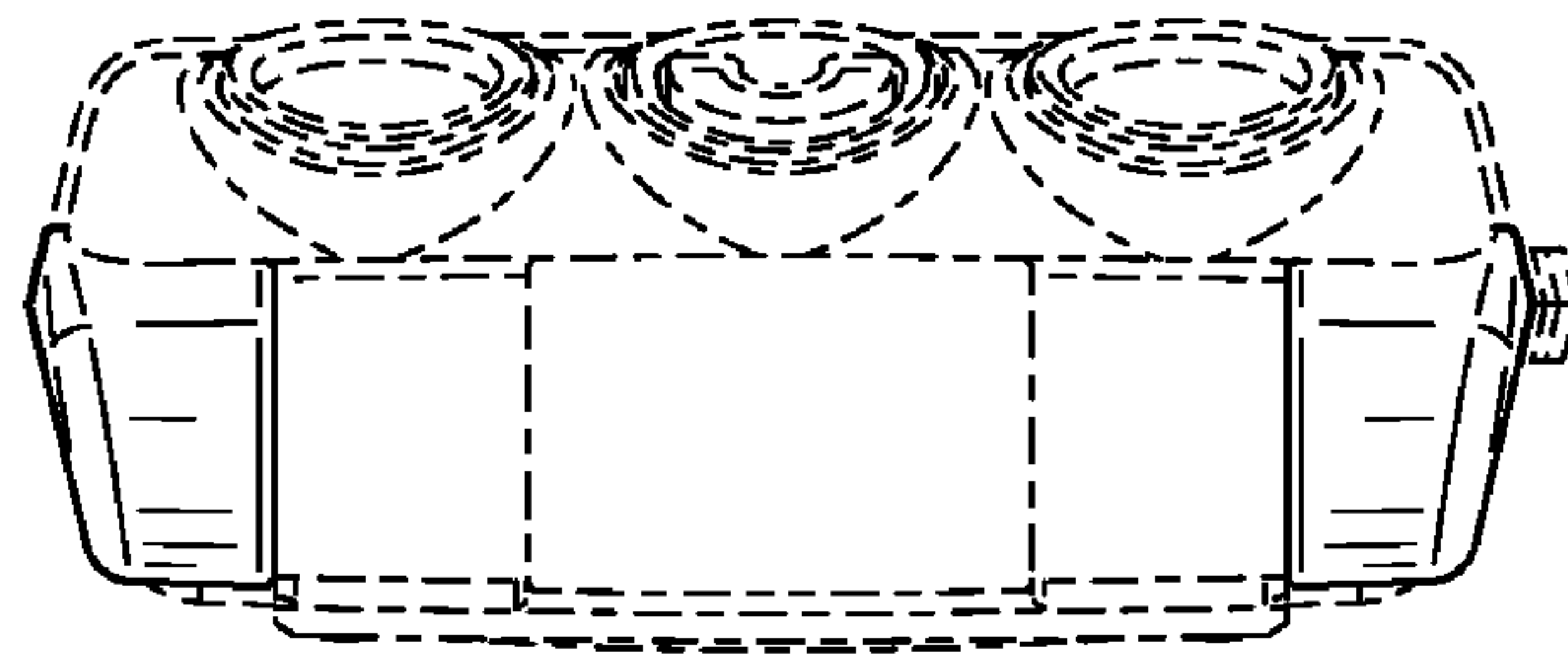


FIG. 5

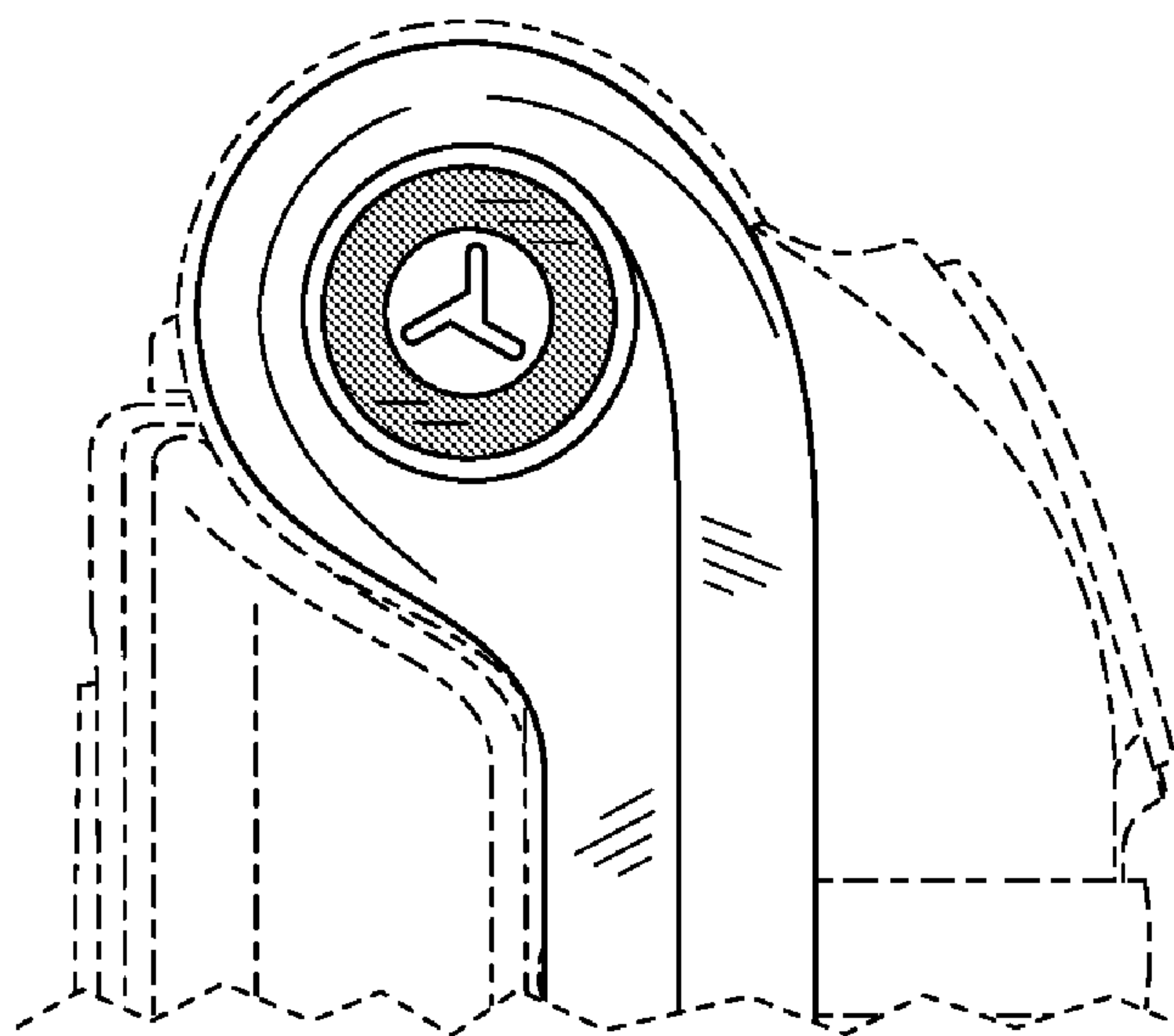


FIG. 6

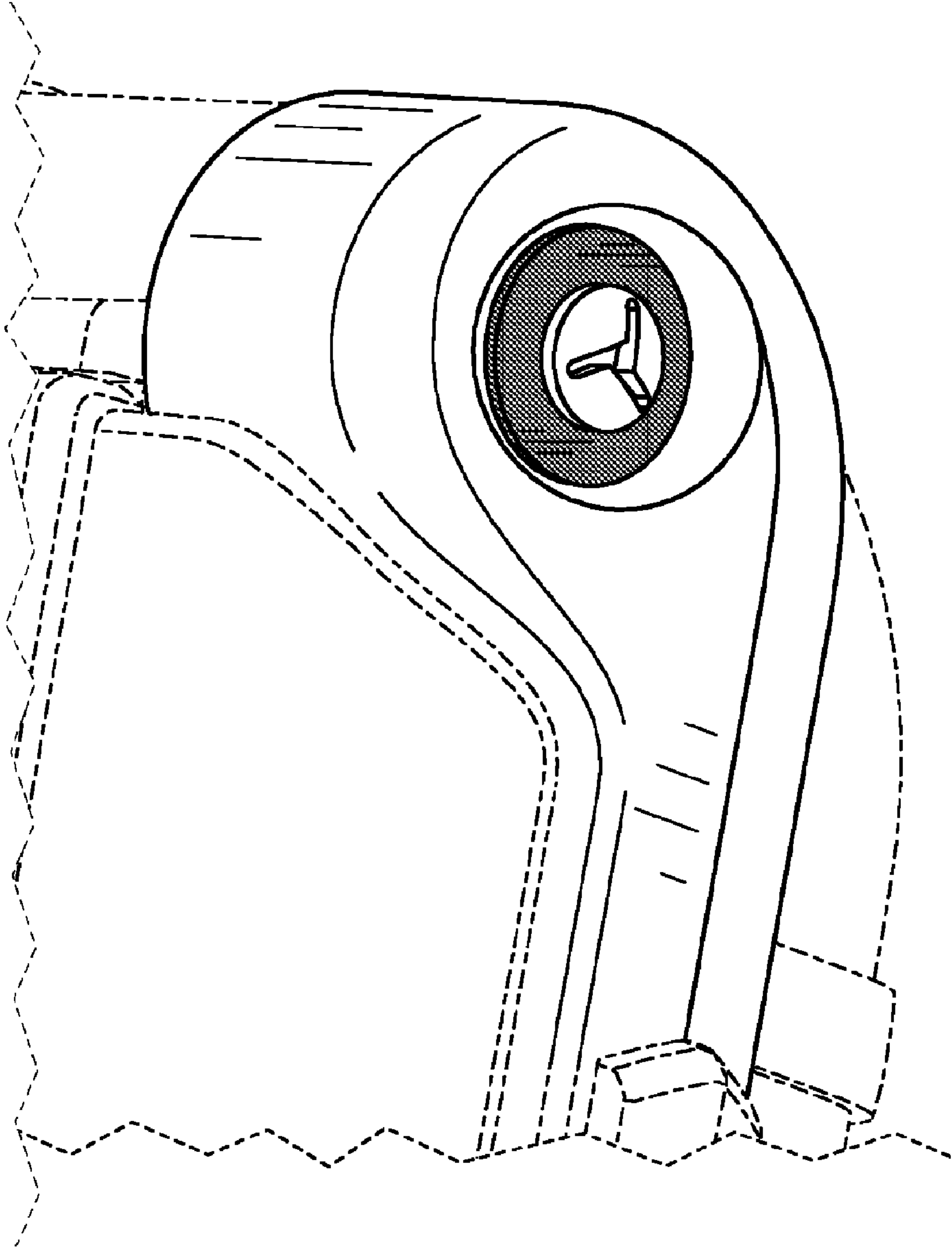


FIG. 7