

US00D638001S

(12) **United States Design Patent**
Nakhjiri et al.

(10) **Patent No.:** **US D638,001 S**

(45) **Date of Patent:** **** May 17, 2011**

(54) **MODEM**

(75) Inventors: **Mahsa Nakhjiri**, San Diego, CA (US);
Christopher Vincent Fonzo, Escondido,
CA (US); **Paul A. Nysen**, Carlsbad, CA
(US)

(73) Assignee: **Sierra Wireless, Inc.**, Richmond (CA)

(**) Term: **14 Years**

(21) Appl. No.: **29/353,077**

(22) Filed: **Dec. 31, 2009**

(51) **LOC (9) Cl.** **14-03**

(52) **U.S. Cl.** **D14/242; D14/480.6**

(58) **Field of Classification Search** D14/411,
D14/433, 435.1, 436, 480.1–480.7, 484.1,
D14/137, 155, 203.1–203.8, 240; 710/300,
710/301; 439/131, 135–147

See application file for complete search history.

(56) **References Cited**

U.S. PATENT DOCUMENTS

D391,944 S *	3/1998	Han	D14/356
D396,852 S *	8/1998	Chao	D14/358
D465,469 S *	11/2002	Heath	D14/167
D482,694 S *	11/2003	Chen	D14/435.1
D501,468 S *	2/2005	Wang	D14/235
D512,060 S *	11/2005	Wang et al.	D14/480.1
D512,417 S *	12/2005	Hirakawa et al.	D14/223
D512,437 S *	12/2005	Tierney	D14/203.6
D527,017 S *	8/2006	Kim	D14/203.6
D531,159 S *	10/2006	Park	D14/203.3
D553,131 S *	10/2007	Dal Porto et al.	D14/480.2
D559,248 S *	1/2008	Heshes et al.	D14/480.5
D596,647 S *	7/2009	Levy	D14/496
D609,213 S *	2/2010	Yeo	D14/203.1
7,740,494 B2 *	6/2010	Lin et al.	439/131
D619,999 S *	7/2010	Wu et al.	D14/240

OTHER PUBLICATIONS

USB Flash Drive Style Sphere, [online], [retrieved on Dec. 13, 2006].
Retrieved from the Internet <URL: <http://www.memorysuppliers.com/noname4.html>>.*

TechEblog >> Memorex FlashDisc, [online] posted Mar. 16, 2006
[retrieved on Jun. 20, 2007]. Retrieved from the Internet <URL:
[http://www.techeblog.com/index.php/tech-gadget/memorex-
flashdisc](http://www.techeblog.com/index.php/tech-gadget/memorex-flashdisc)>.*

Sierra Wireless AirCard® USB Modems, [online], [retrieved on May
3, 2010].*

Laptoplog >> Usb, [online] posted on Nov. 6, 2005 [retrieved on Jan.
30, 2007]. Retrieved from the Internet <URL: [http://www.laptoplog.
com/category/accesorios/usb/](http://www.laptoplog.com/category/accesorios/usb/)>.*

* cited by examiner

Primary Examiner — Cathron Brooks

Assistant Examiner — Karen E Kearney

(74) *Attorney, Agent, or Firm* — Banner & Witcoff, Ltd.

(57) **CLAIM**

The ornamental design for a modem, as shown and described.

DESCRIPTION

FIG. 1 is a top, front, perspective view of a modem showing
our new design;

FIG. 2 is a bottom, rear, perspective view thereof;

FIG. 3 is a top view thereof;

FIG. 4 is a bottom view thereof;

FIG. 5 is a left view thereof;

FIG. 6 is a right view thereof;

FIG. 7 is a rear view thereof;

FIG. 8 is a front view thereof;

FIG. 9 is a top, front, perspective view of the modem of FIGS.
1-8 in a closed position;

FIG. 10 is a bottom, rear, perspective view thereof;

FIG. 11 is a bottom view thereof;

FIG. 12 is a top view thereof;

FIG. 13 is a left view thereof;

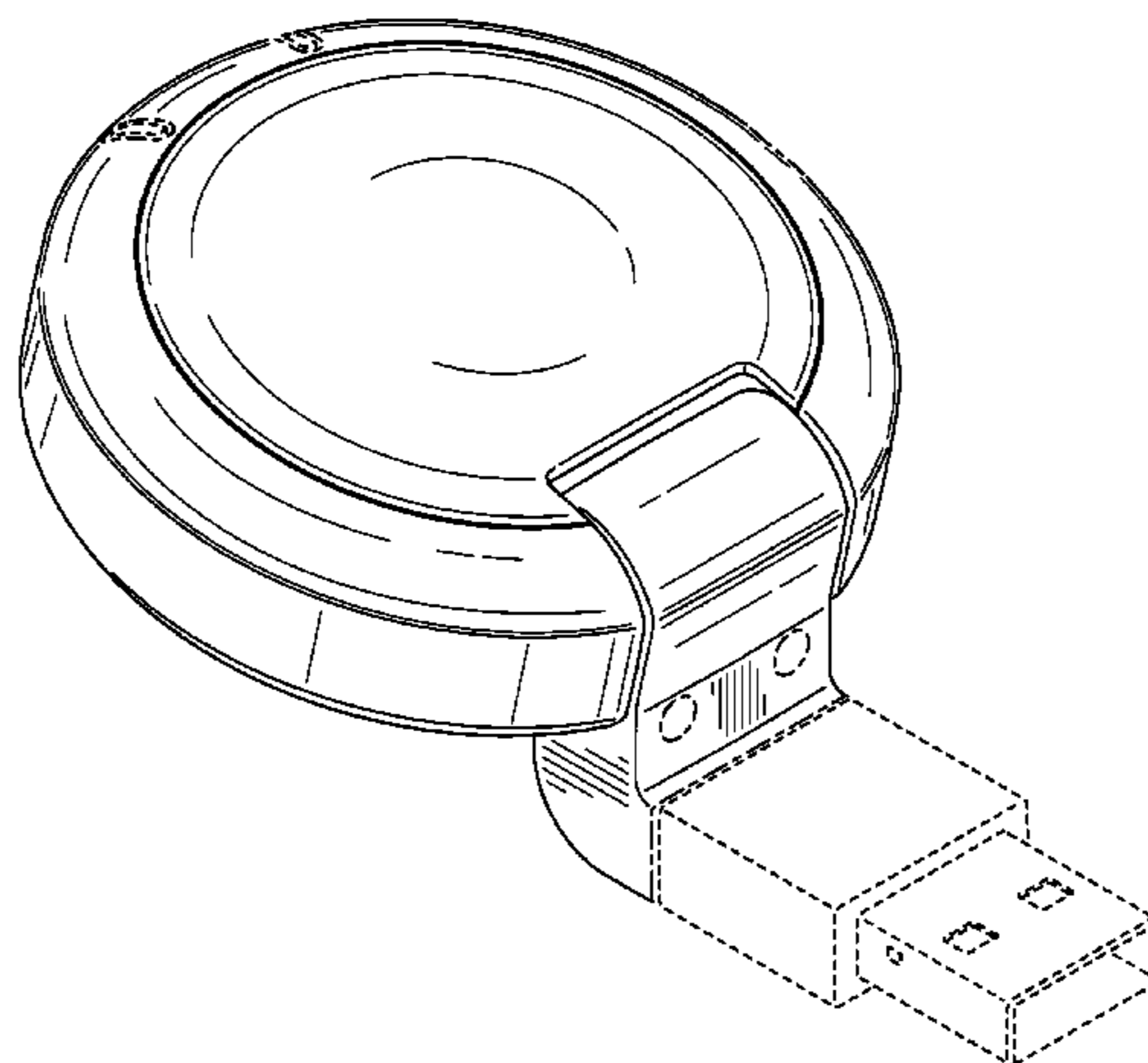
FIG. 14 is a right view thereof;

FIG. 15 is a rear view thereof; and,

FIG. 16 is a front view thereof.

The dash-dot lines represent the bounds of the claimed design
while the even broken lines are directed to unclaimed portions
of the modem; all broken lines form no part of the claimed
design.

1 Claim, 13 Drawing Sheets



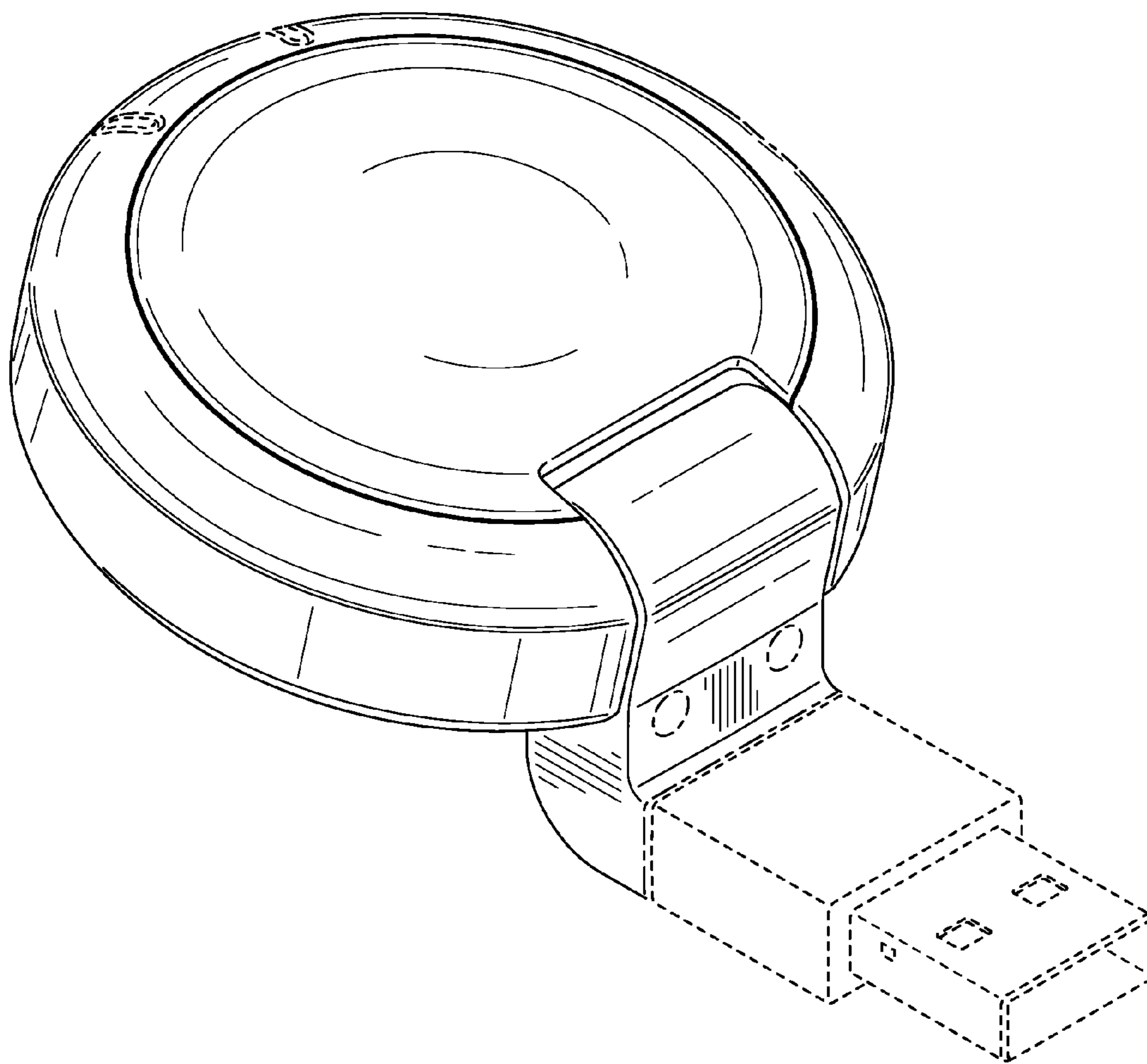


FIG. 1

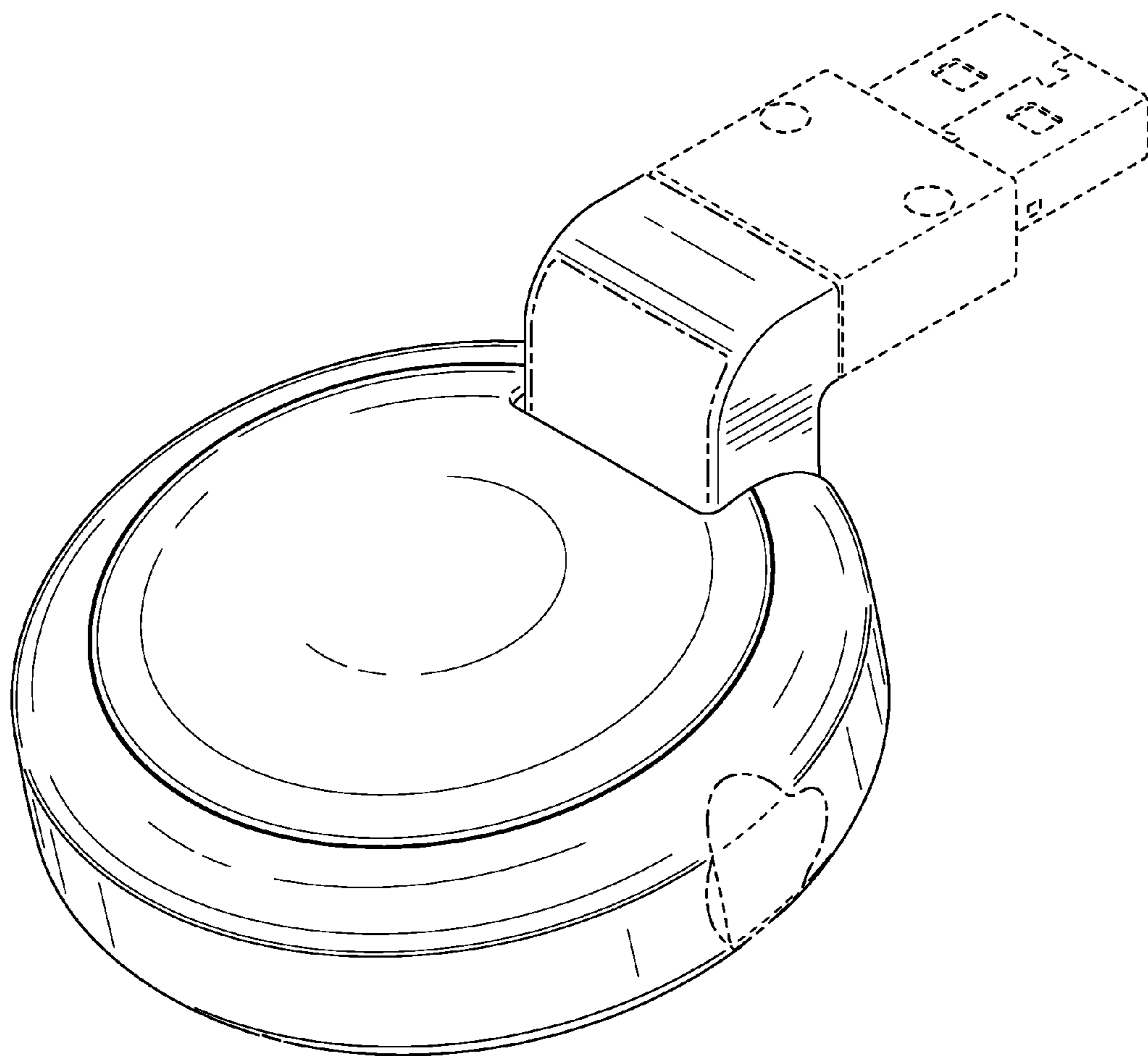


FIG. 2

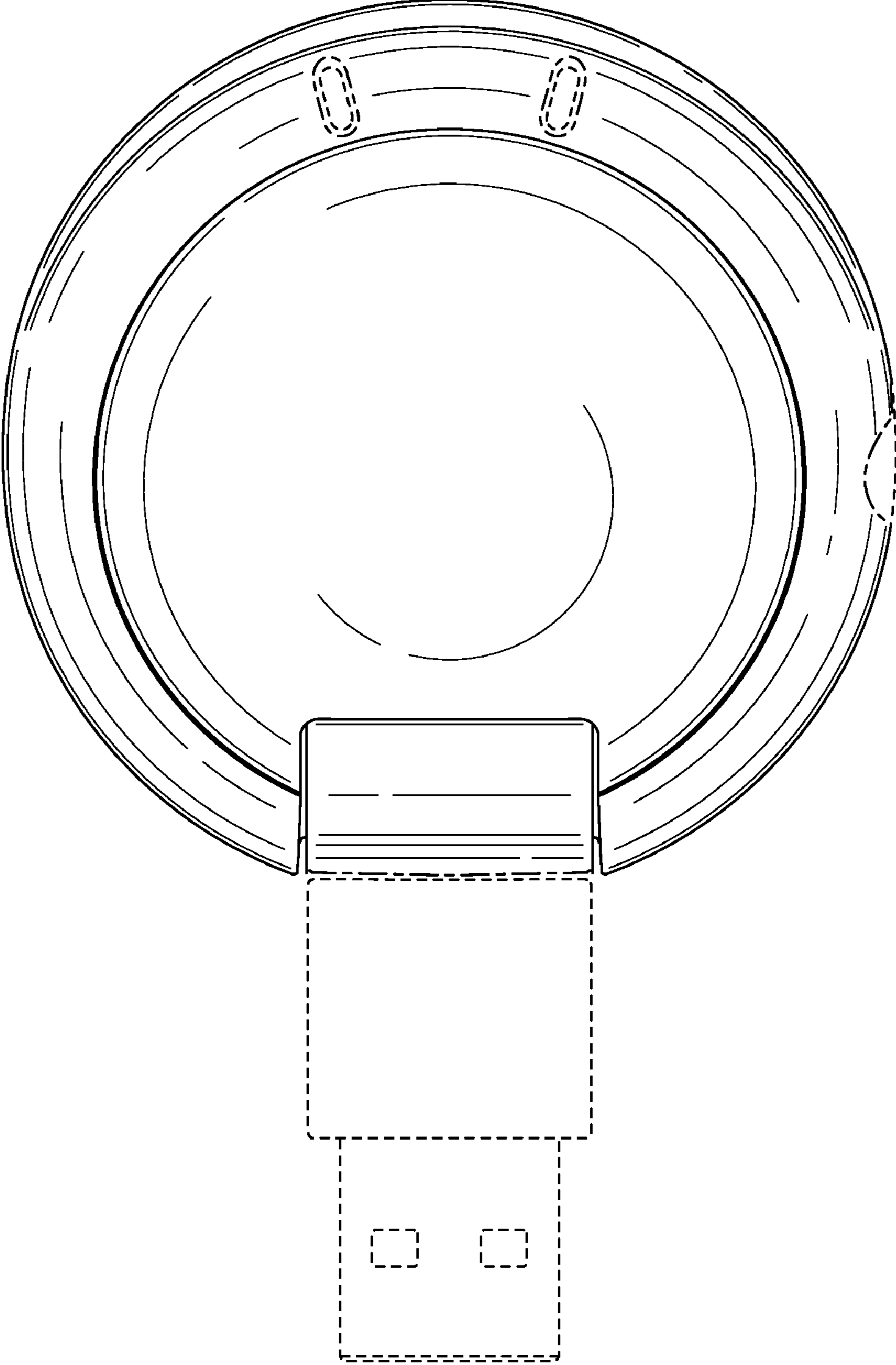


FIG. 3

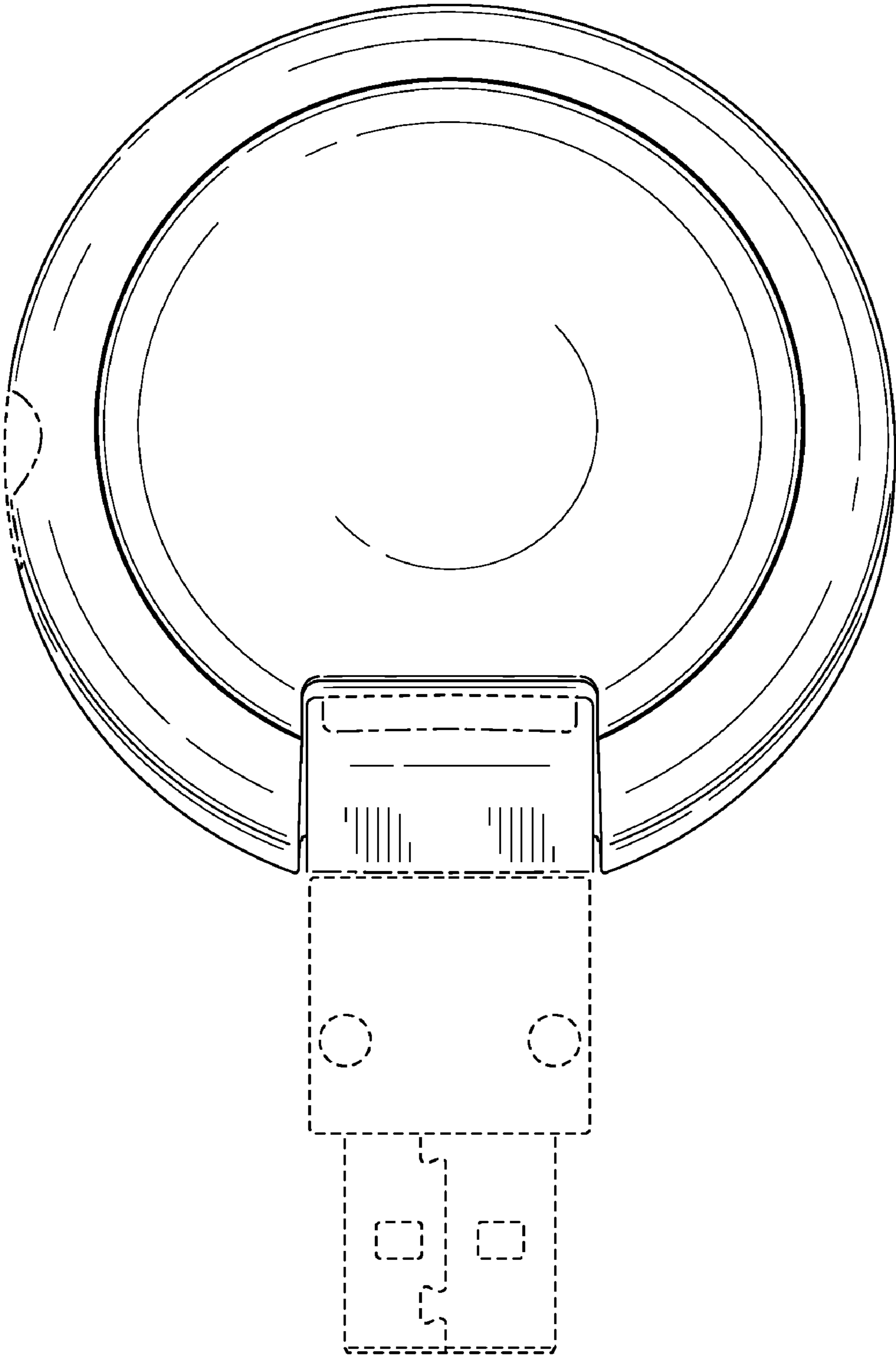


FIG. 4

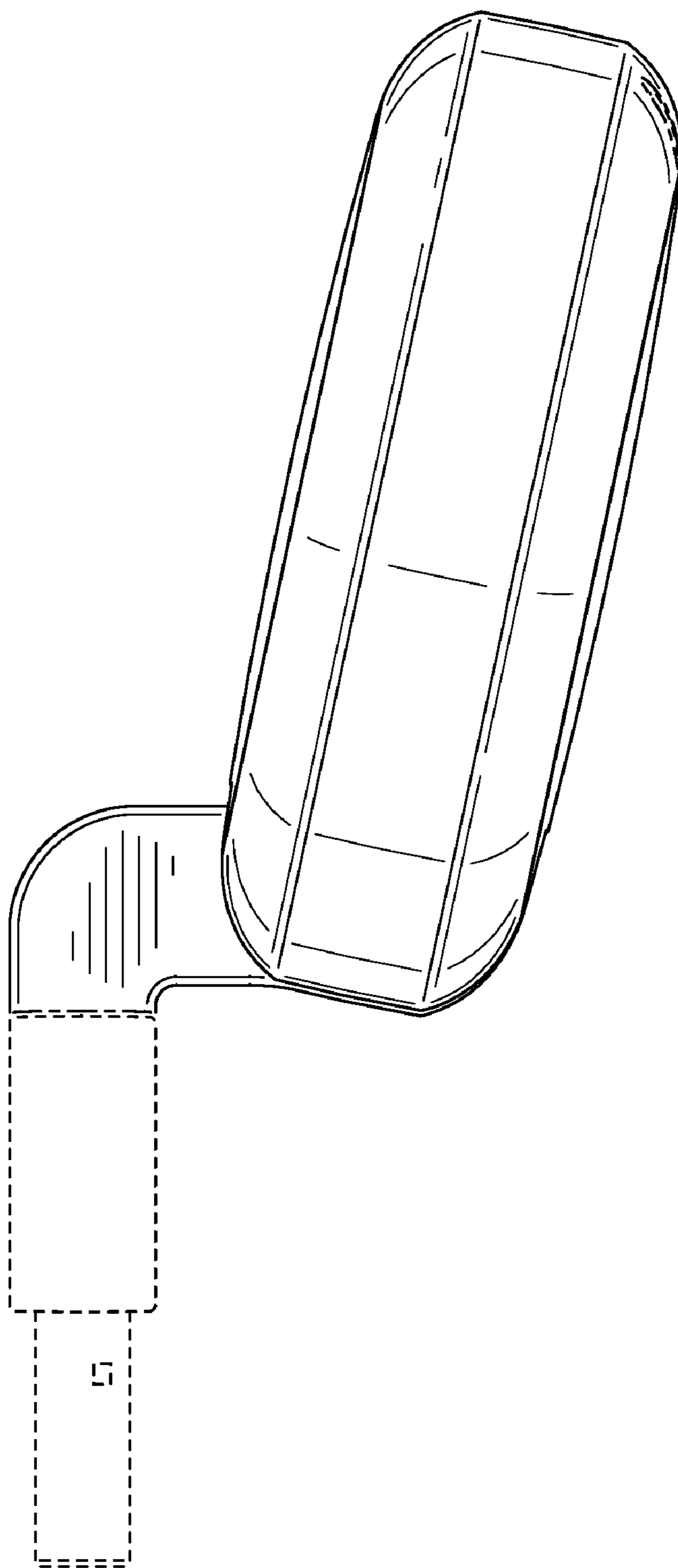


FIG. 5

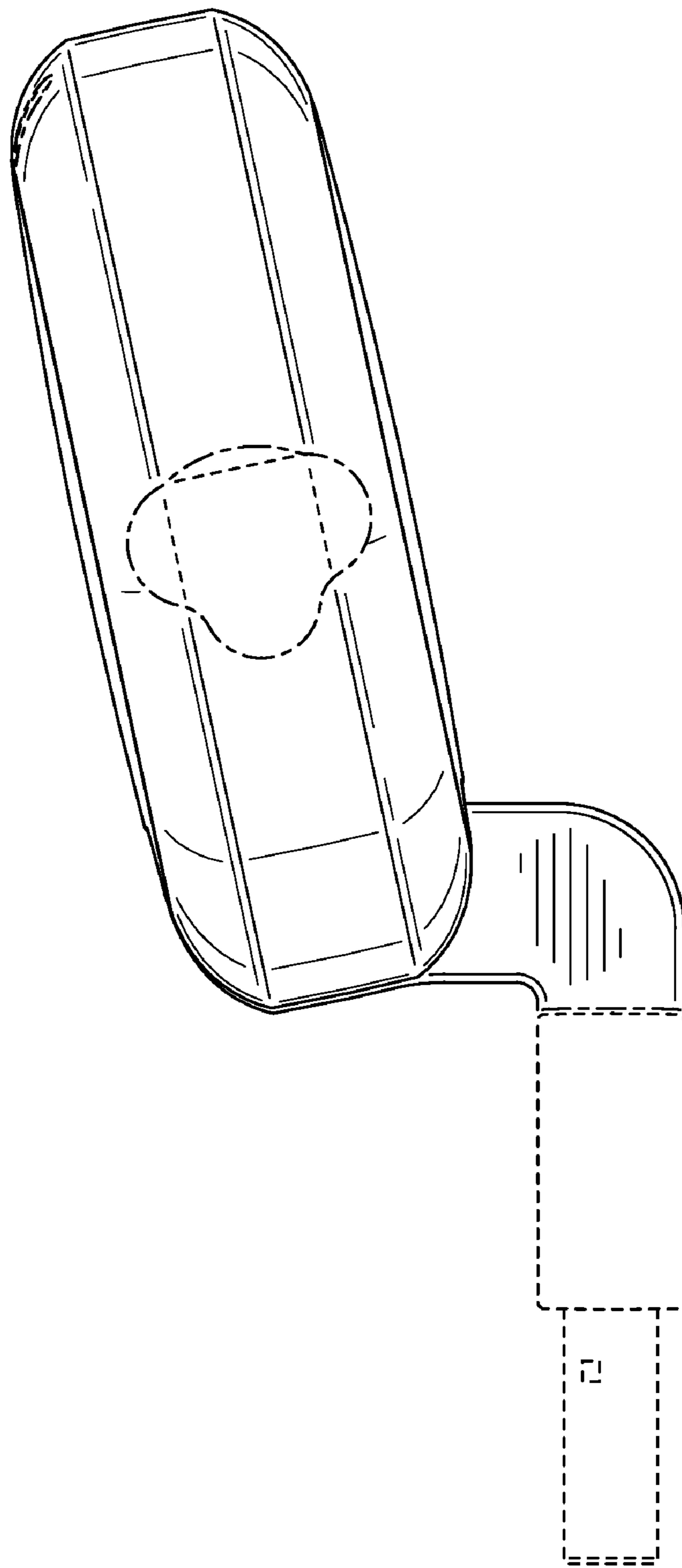


FIG. 6

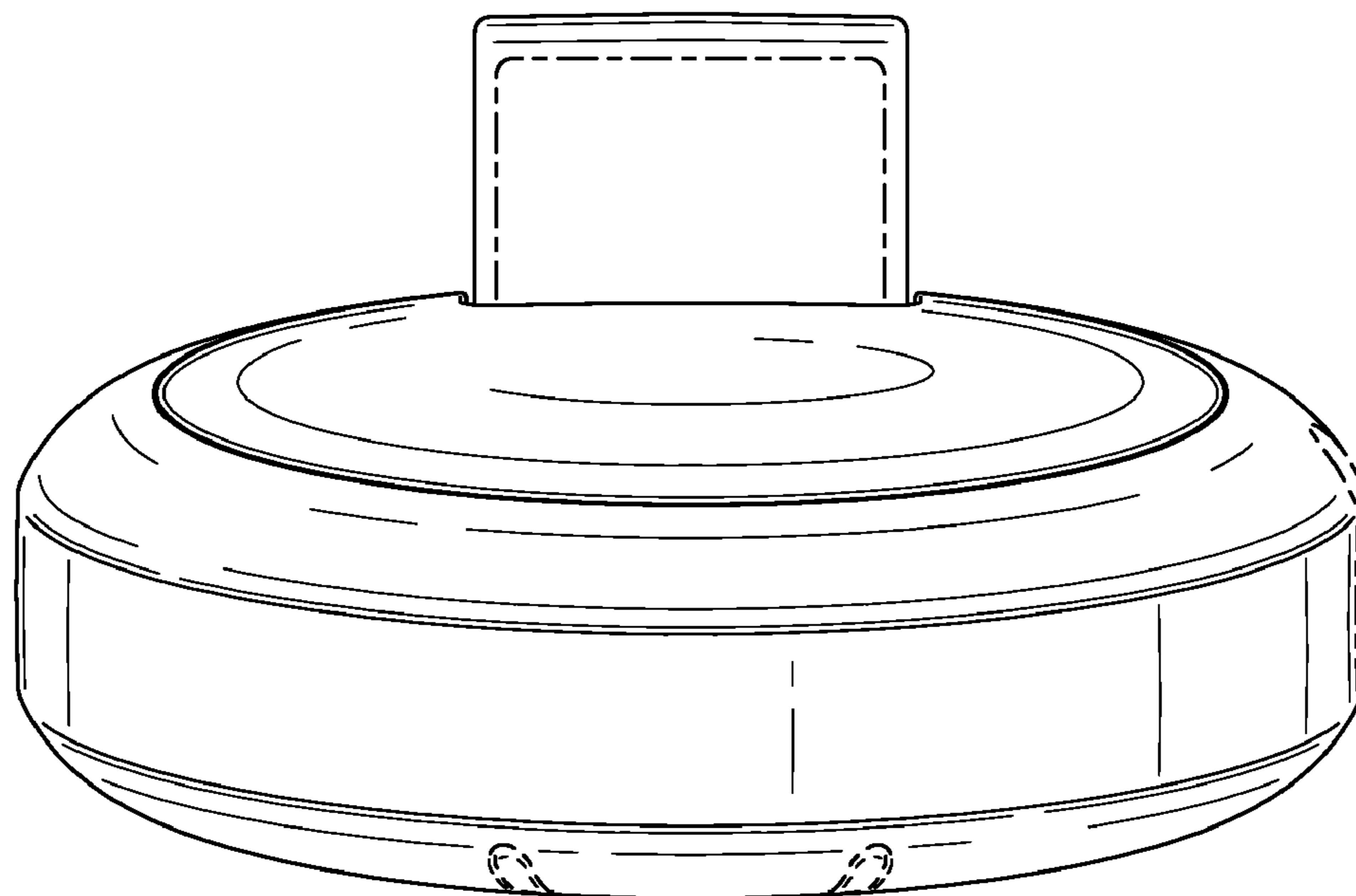


FIG. 7

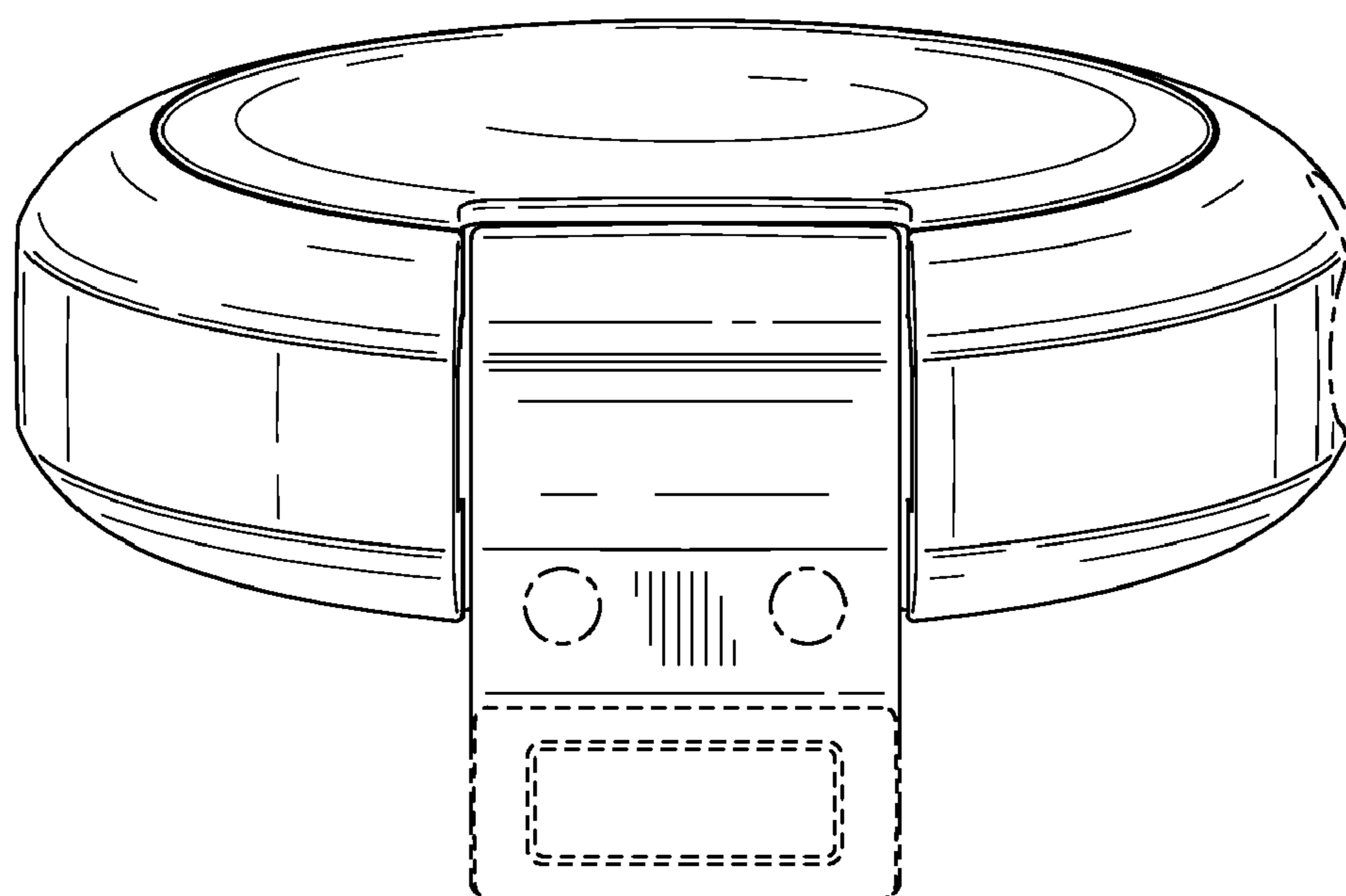


FIG. 8

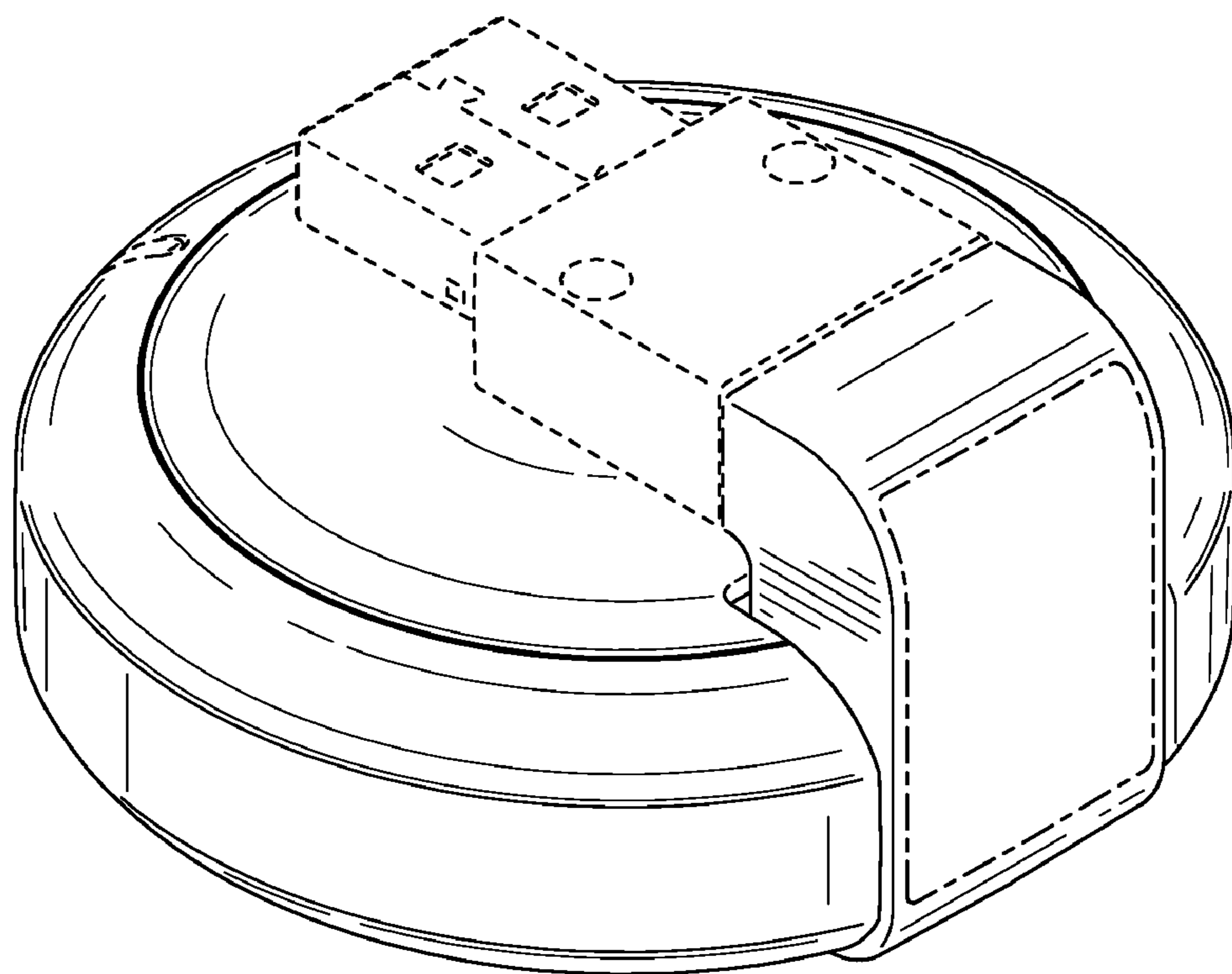


FIG. 9

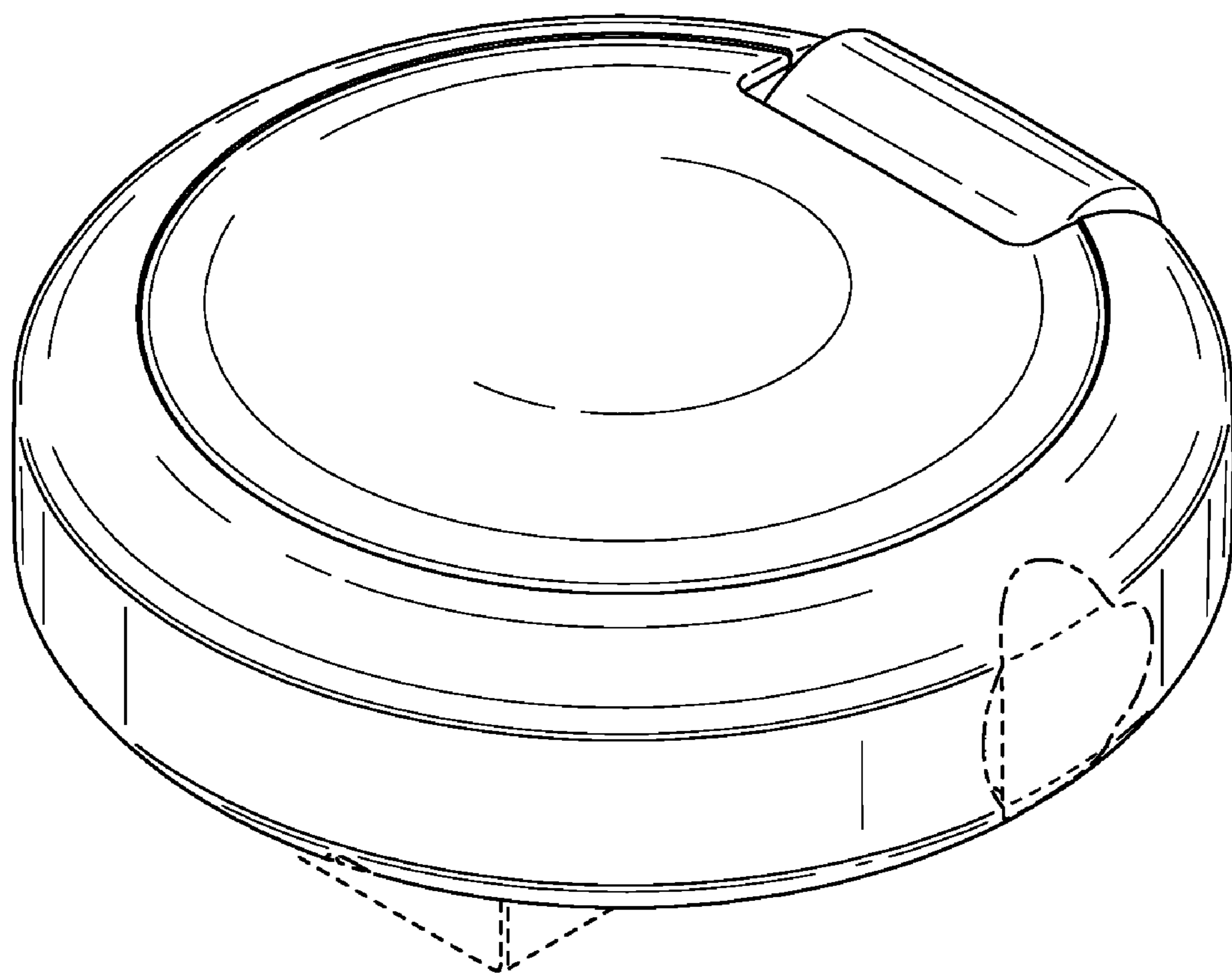


FIG. 10

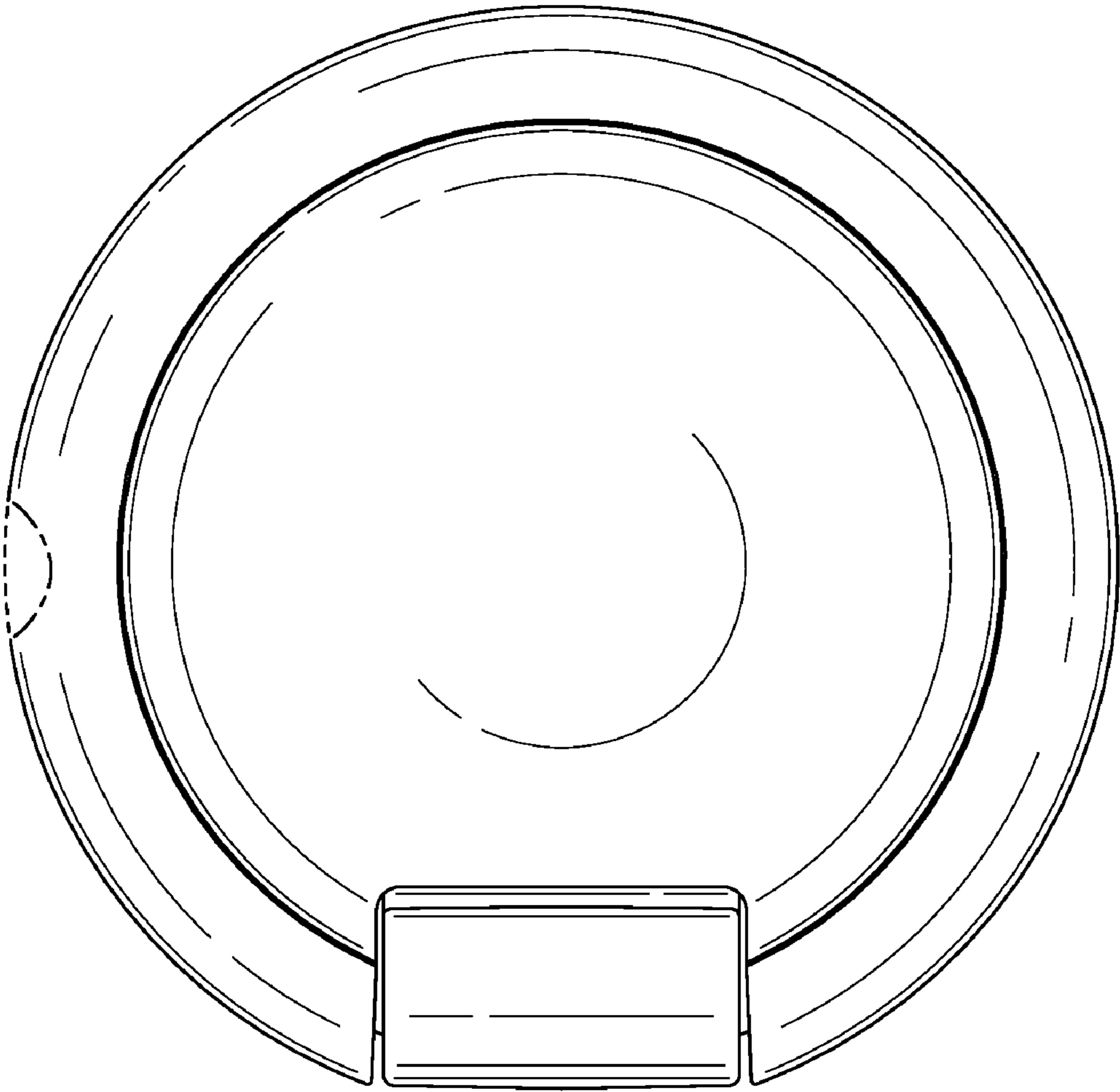


FIG. 11

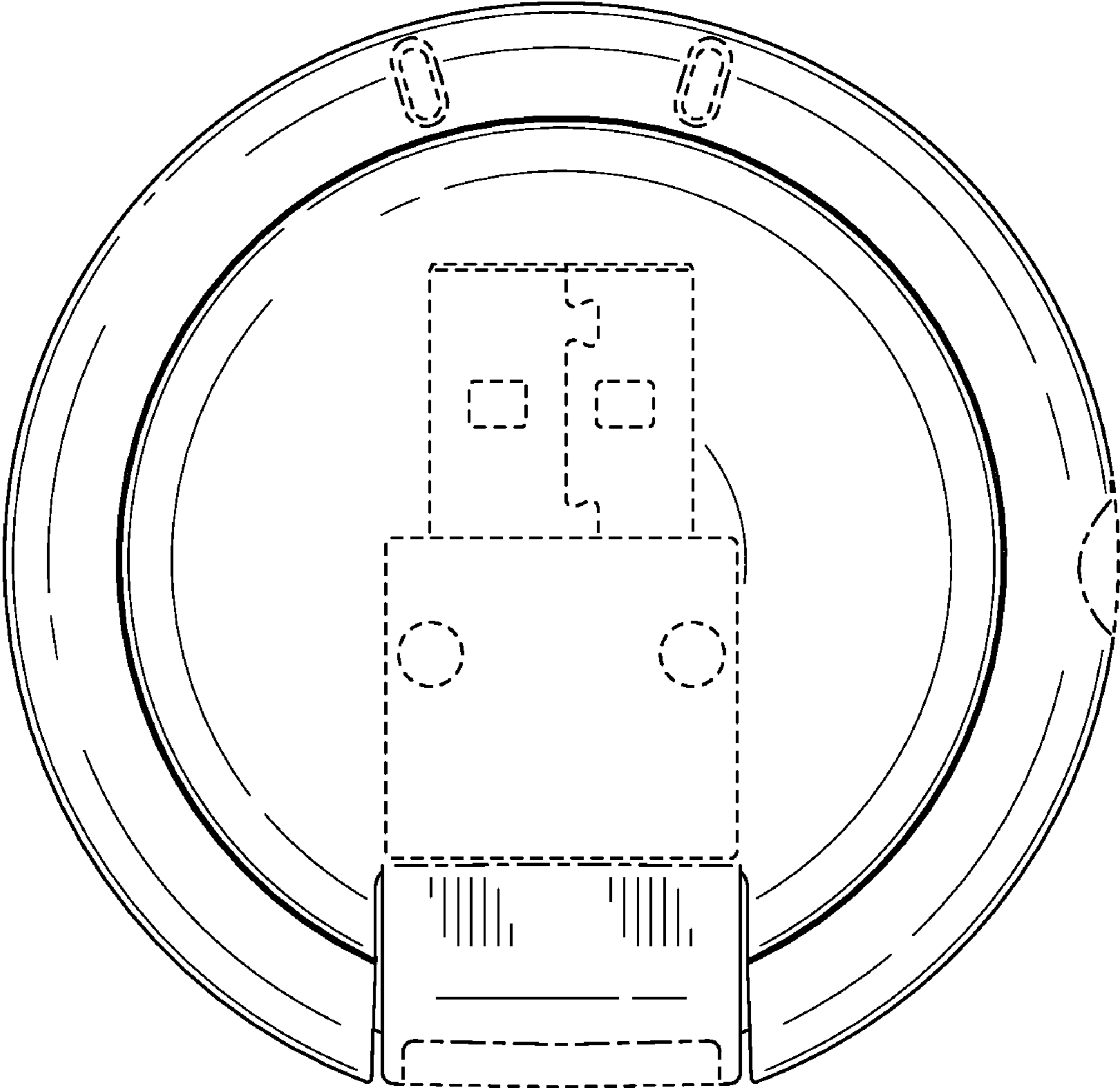


FIG. 12

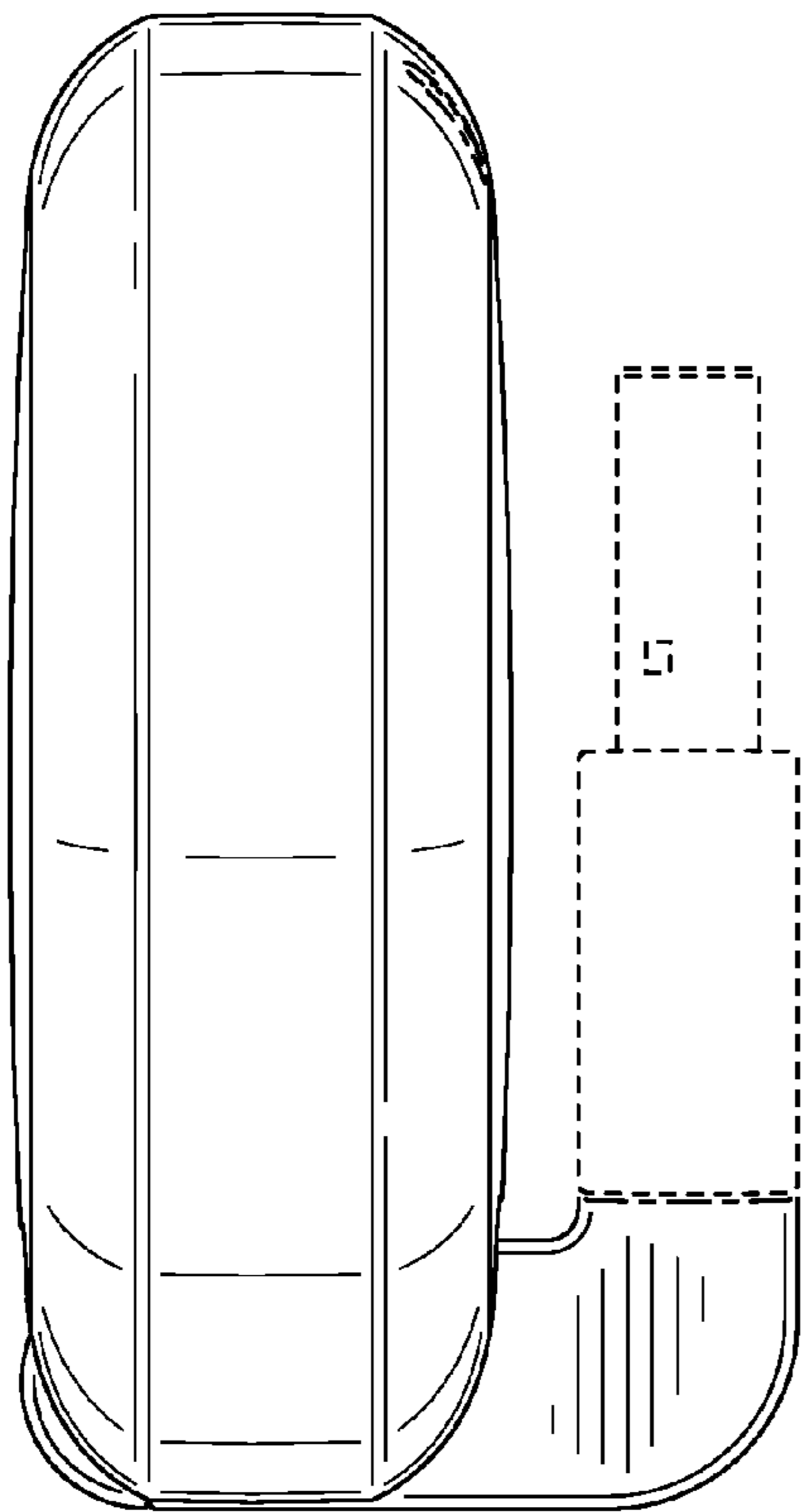


FIG. 13

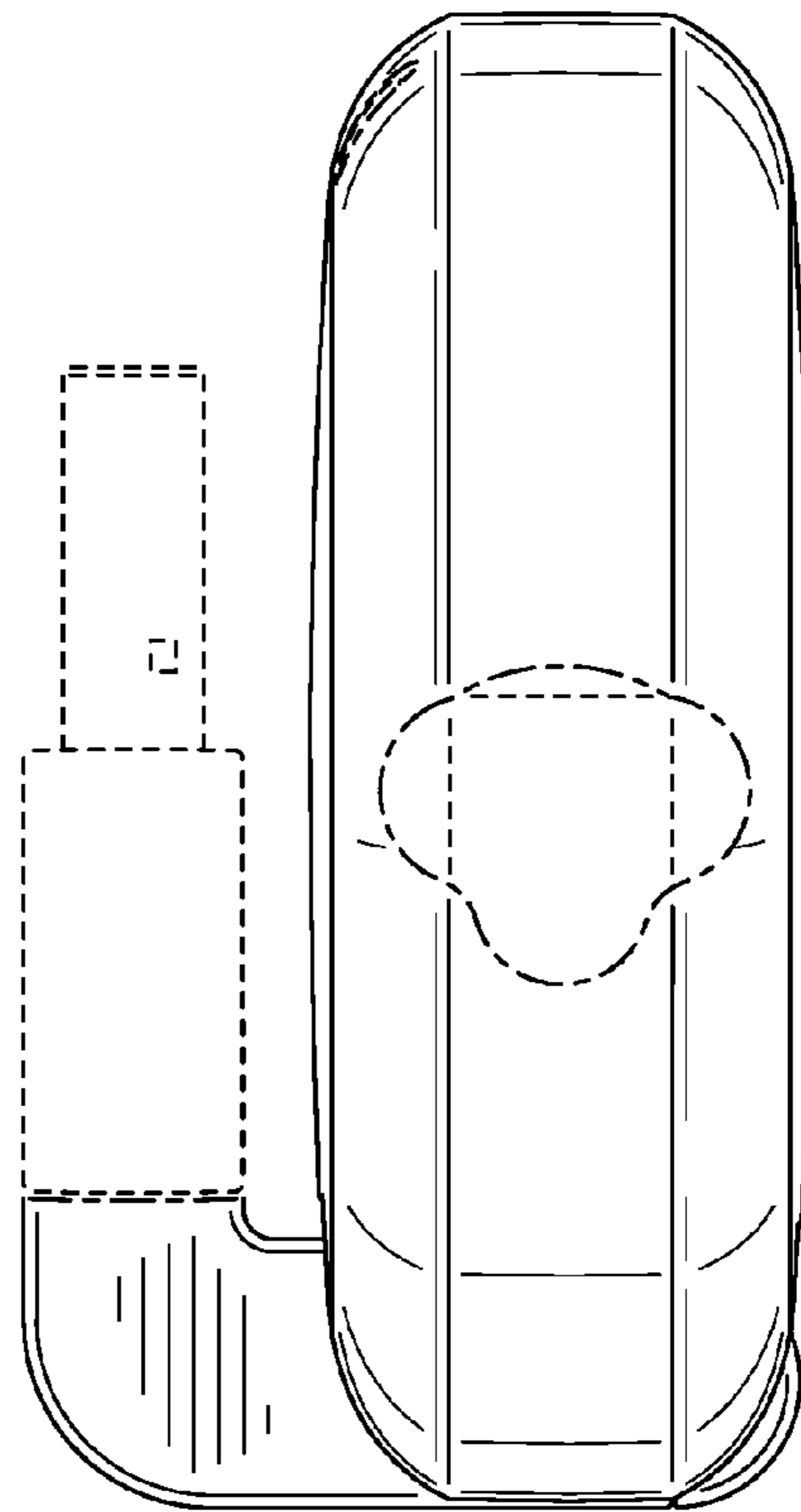


FIG. 14

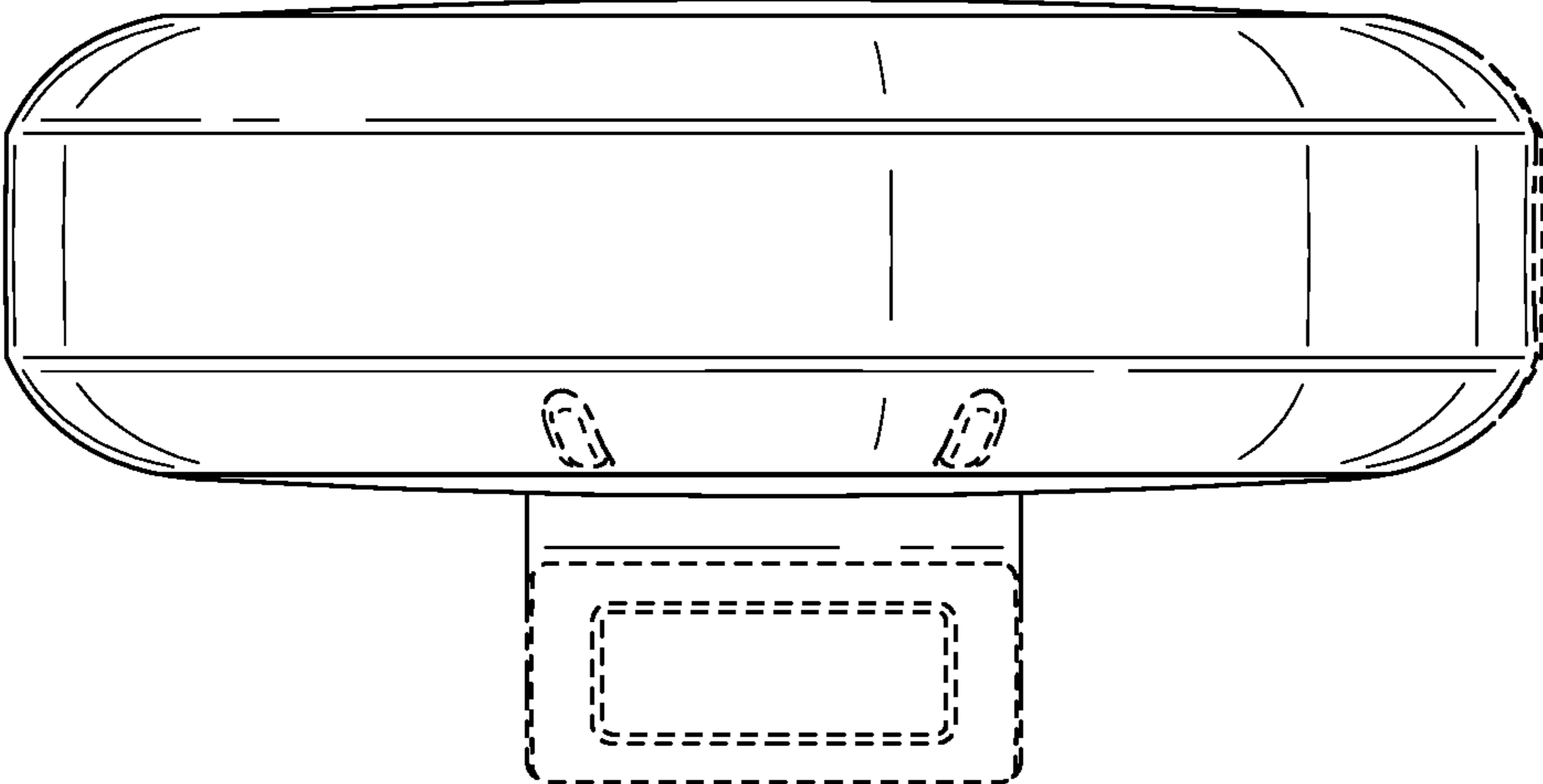


FIG. 15

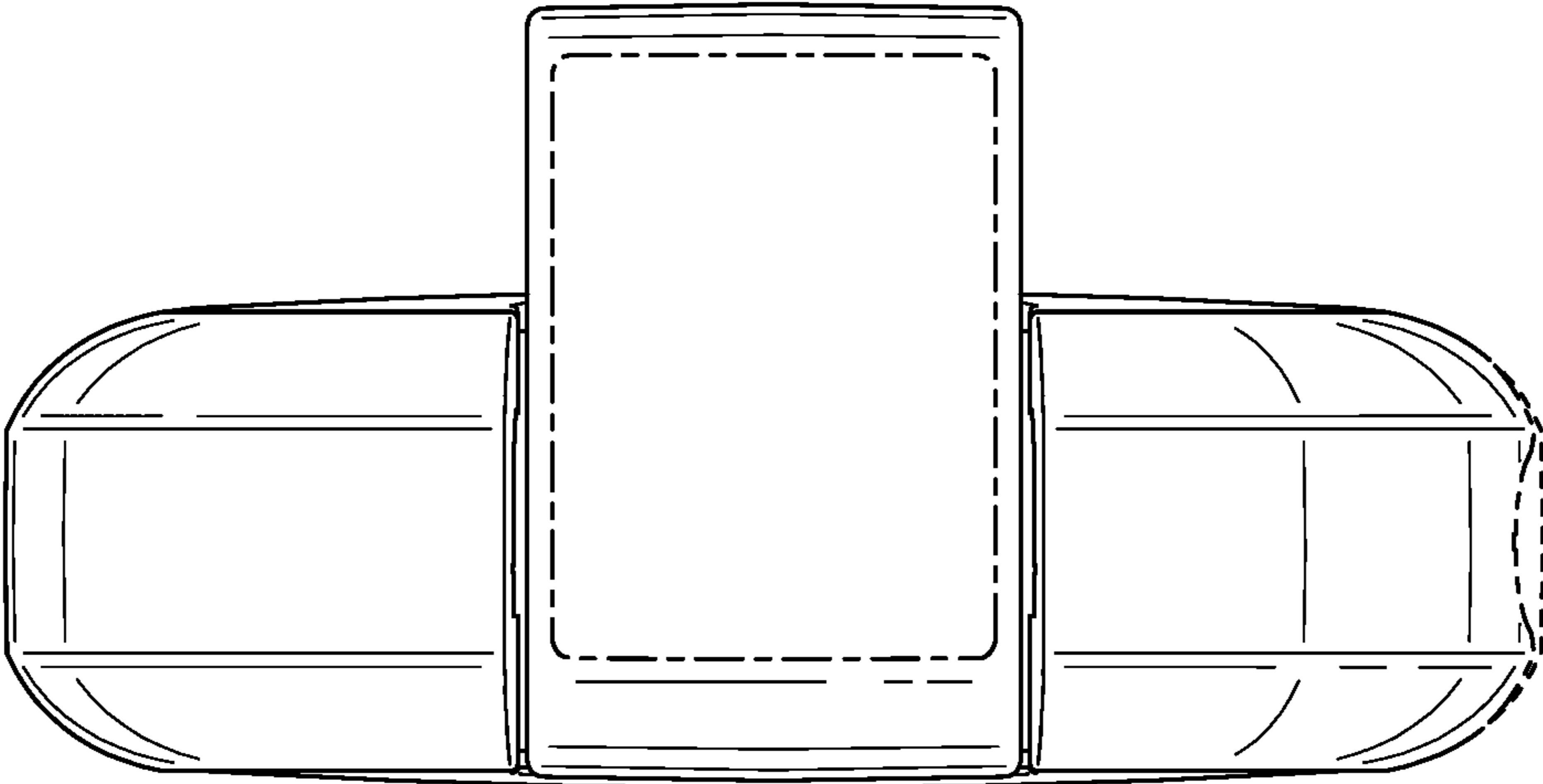


FIG. 16