



US00D638000S

(12) **United States Design Patent**
Hoggarth

(10) **Patent No.:** **US D638,000 S**
(45) **Date of Patent:** **** May 17, 2011**

(54) **HEADSET**

(75) Inventor: **Marcus Hoggarth**, London (GB)

(73) Assignee: **GN Netcom A/S** (DK)

(**) Term: **14 Years**

(21) Appl. No.: **29/375,759**

(22) Filed: **Sep. 27, 2010**

Related U.S. Application Data

(62) Division of application No. 29/338,792, filed on Jun. 18, 2009, now Pat. No. Des. 624,530.

Foreign Application Priority Data

(30) Dec. 22, 2008 (EM) 001060917-0001/0004

(51) **LOC (9) Cl.** **14-01**

(52) **U.S. Cl.** **D14/206**

(58) **Field of Classification Search** D14/205,
D14/206, 223, 240; 379/430, 431; 181/129,
181/130; 381/380, 381, 74; D29/112; 2/209
See application file for complete search history.

(56) **References Cited**

U.S. PATENT DOCUMENTS

5,095,382 A	3/1992	Abe	
D337,116 S	7/1993	Hattori	
5,369,857 A *	12/1994	Sacherman et al.	29/594
D355,913 S	2/1995	Chong	
D357,248 S	4/1995	Cheng	
D365,559 S *	12/1995	Fathi	D14/142
D377,020 S *	12/1996	Bungardt et al.	D14/205
6,377,684 B1	4/2002	Lucey et al.	
D462,342 S	9/2002	Polito et al.	
D473,539 S *	4/2003	O'Leary	D14/205
D482,019 S *	11/2003	Petersen et al.	D14/206
D488,146 S *	4/2004	Minto	D14/206
D494,574 S	8/2004	Schmidt et al.	

D496,029 S	9/2004	Skulley et al.	
D514,086 S *	1/2006	Skulley	D14/206
D518,034 S	3/2006	Lee	
D518,477 S	4/2006	Chen	
D519,975 S	5/2006	Skulley et al.	
D520,991 S *	5/2006	Ma et al.	D14/240
D523,847 S	6/2006	Naruki	
D531,165 S *	10/2006	Rath	D14/206
7,130,419 B2	10/2006	Bodley et al.	
D538,785 S *	3/2007	Skulley	D14/206
D540,303 S *	4/2007	Rausch et al.	D14/205
D540,778 S *	4/2007	Thompson et al.	D14/206
D560,208 S	1/2008	Skurdal	
D560,657 S	1/2008	Langberg et al.	
D563,385 S	3/2008	Skurdal	
D566,697 S	4/2008	Nielsen et al.	
D579,004 S	10/2008	Bang et al.	
D581,396 S *	11/2008	Wikel et al.	D14/206
D581,903 S	12/2008	Joseph	
D584,283 S	1/2009	Soetejo et al.	
D584,285 S *	1/2009	Xu et al.	D14/206
D584,293 S	1/2009	Kim et al.	
D584,720 S	1/2009	Houy	
D587,684 S *	3/2009	Ham et al.	D14/205

(Continued)

Primary Examiner — Paula Greene

(74) *Attorney, Agent, or Firm* — Altera Law Group, LLC

(57) **CLAIM**

The ornamental design for a headset, as shown and described.

DESCRIPTION

FIG. 1 is a perspective view of a headset showing my new design.

FIG. 2 is a front view thereof.

FIG. 3 is a back view thereof.

FIG. 4 is a side view thereof.

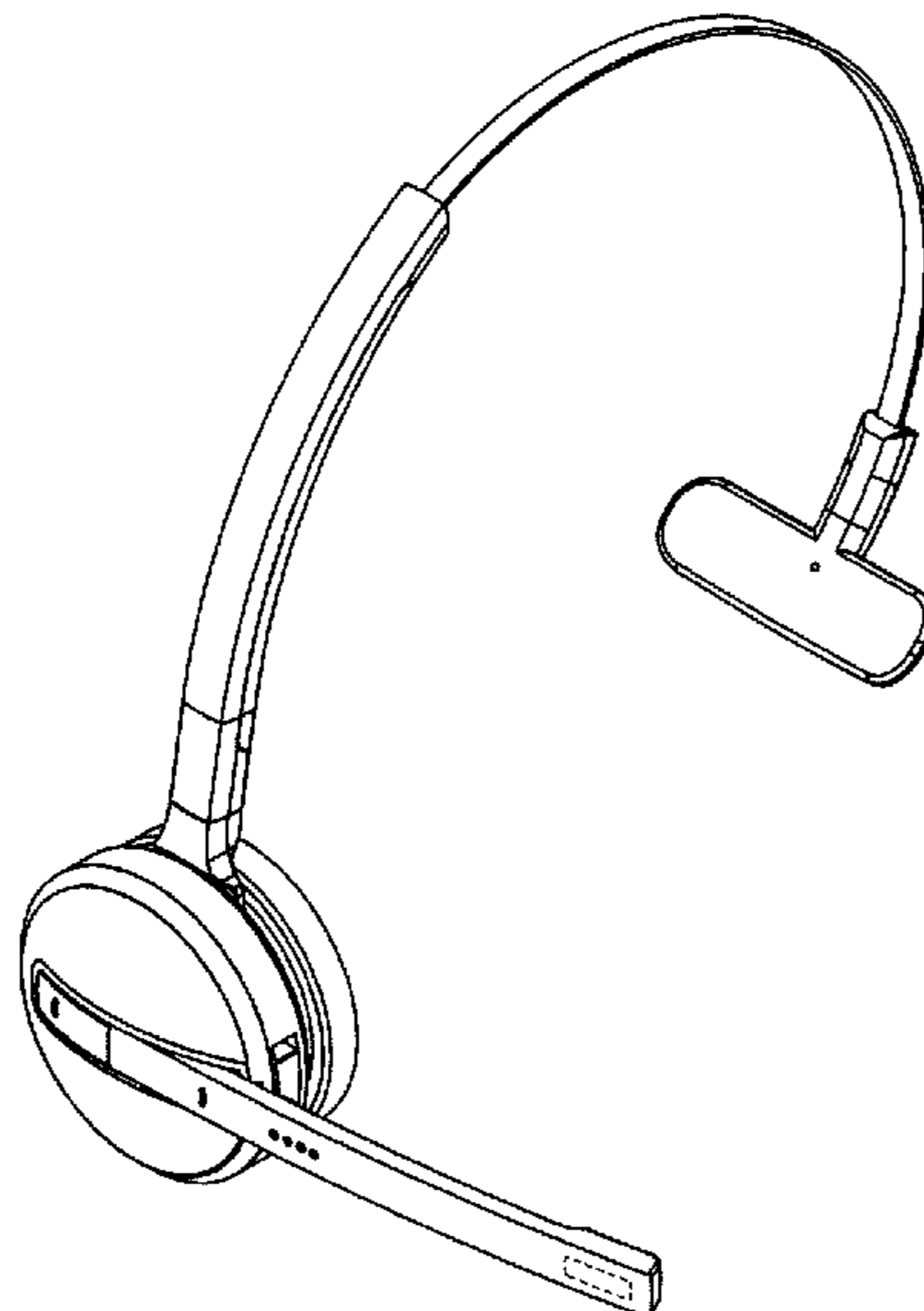
FIG. 5 is another side view thereof.

FIG. 6 is a top view thereof; and,

FIG. 7 is a bottom view thereof.

The broken lines form no part of the claimed design.

1 Claim, 4 Drawing Sheets



US D638,000 S

Page 2

U.S. PATENT DOCUMENTS

D589,031 S 3/2009 Bentley et al.
D593,998 S 6/2009 Bentley et al.
D597,939 S 8/2009 Tkachuk
D599,331 S 9/2009 Bentley et al.

D601,543 S 10/2009 Bentley
D602,001 S 10/2009 Bentley
D602,008 S 10/2009 Bentley

* cited by examiner

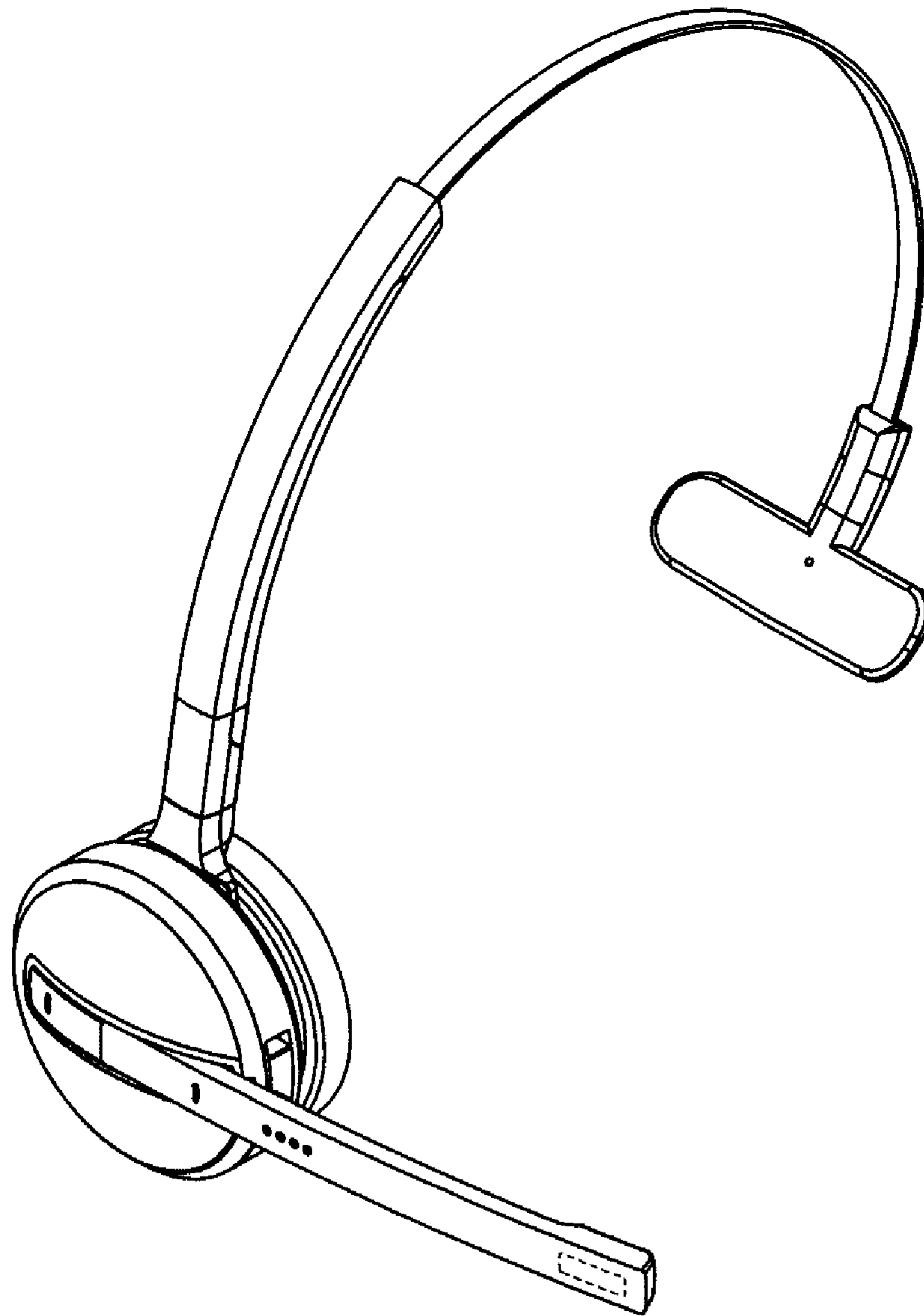


Fig. 1

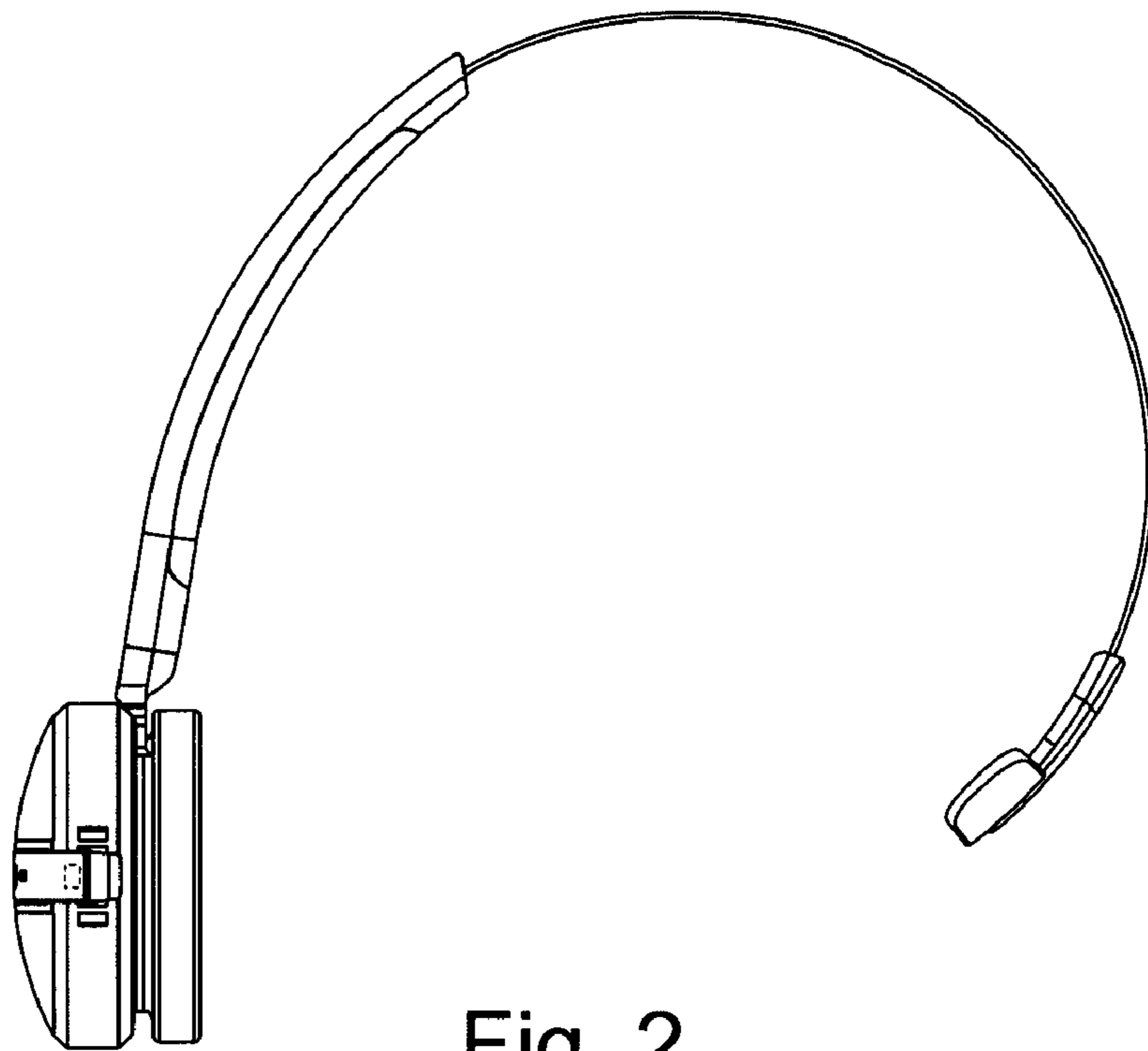


Fig. 2

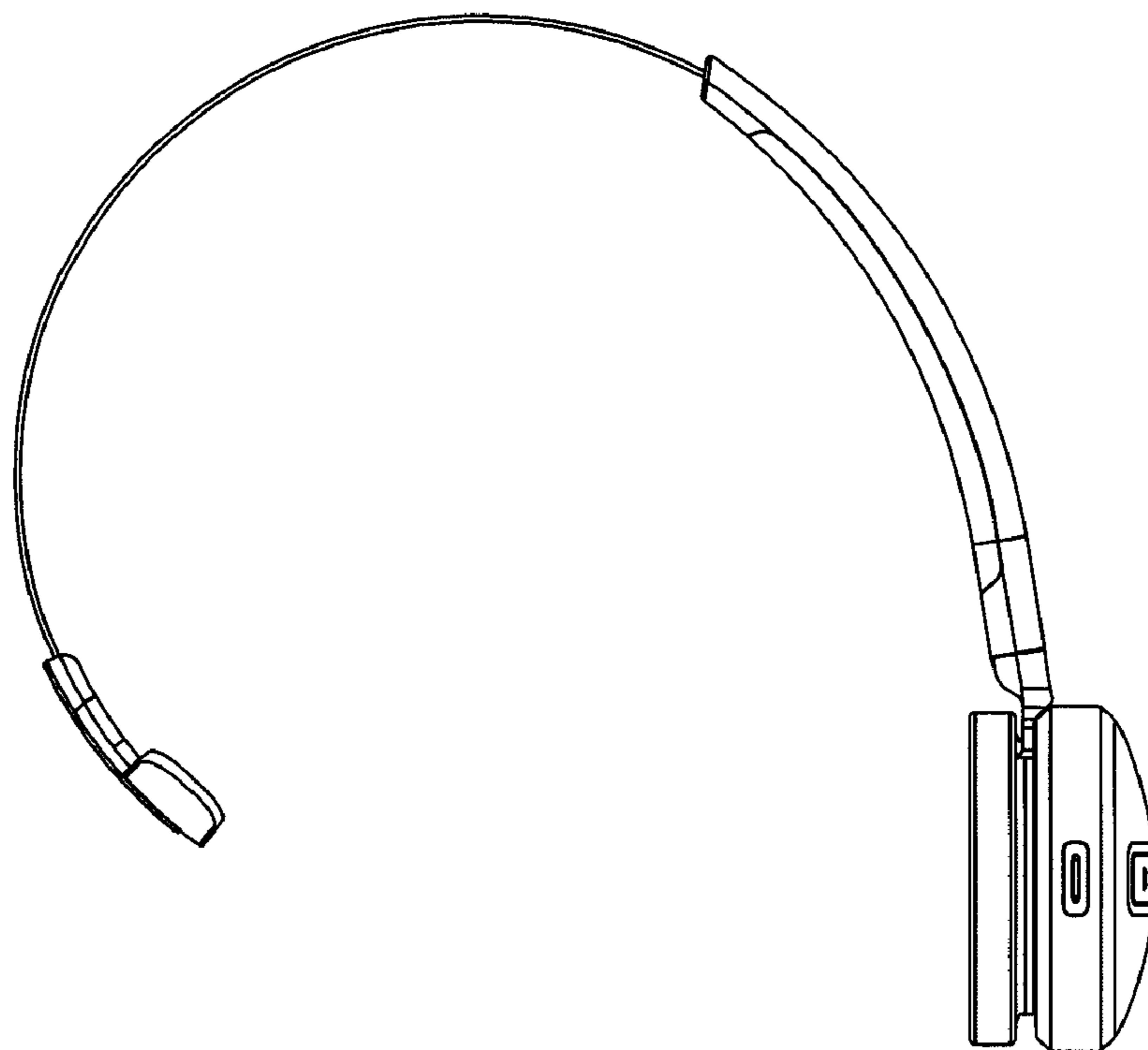


Fig. 3

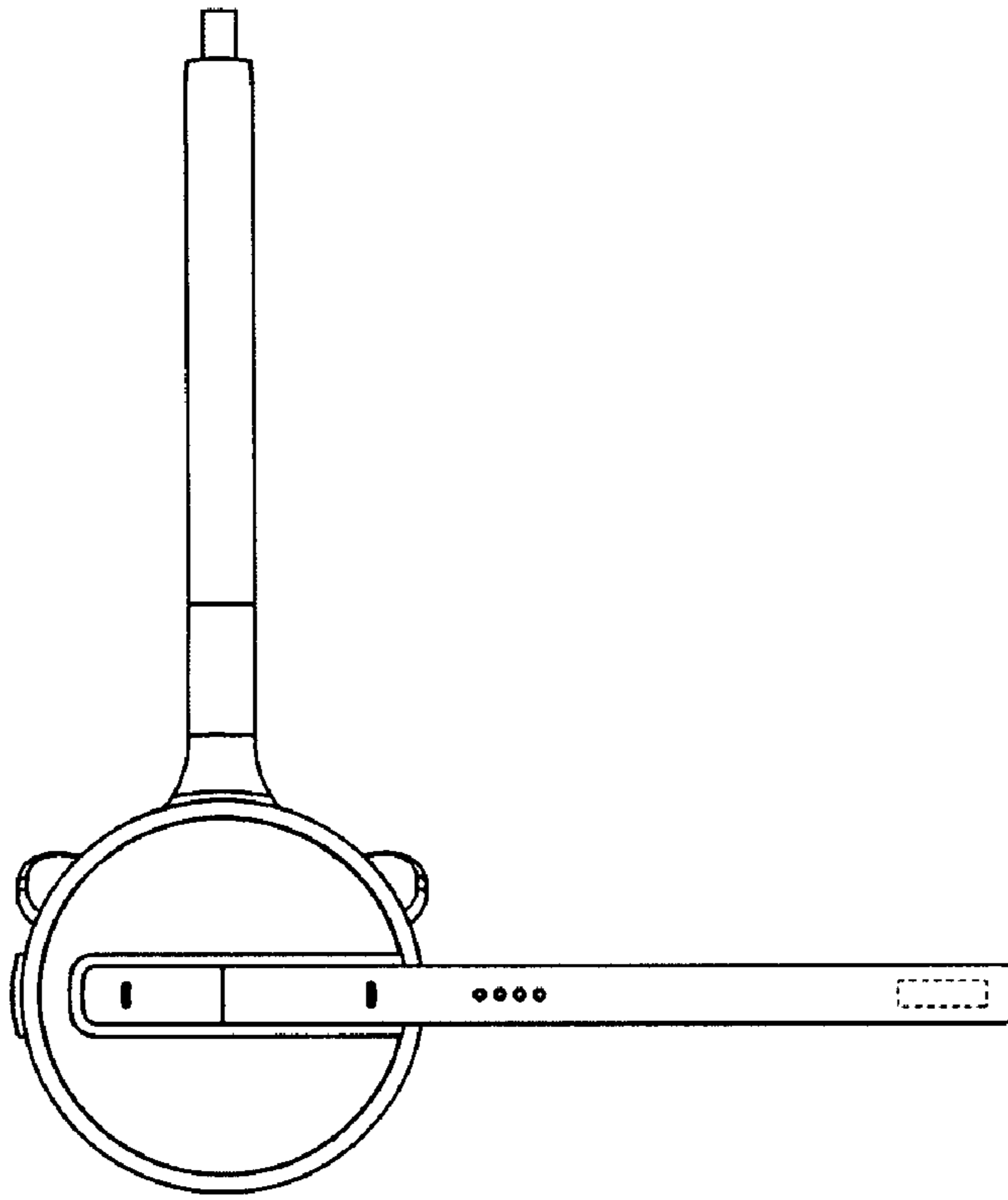


Fig. 4

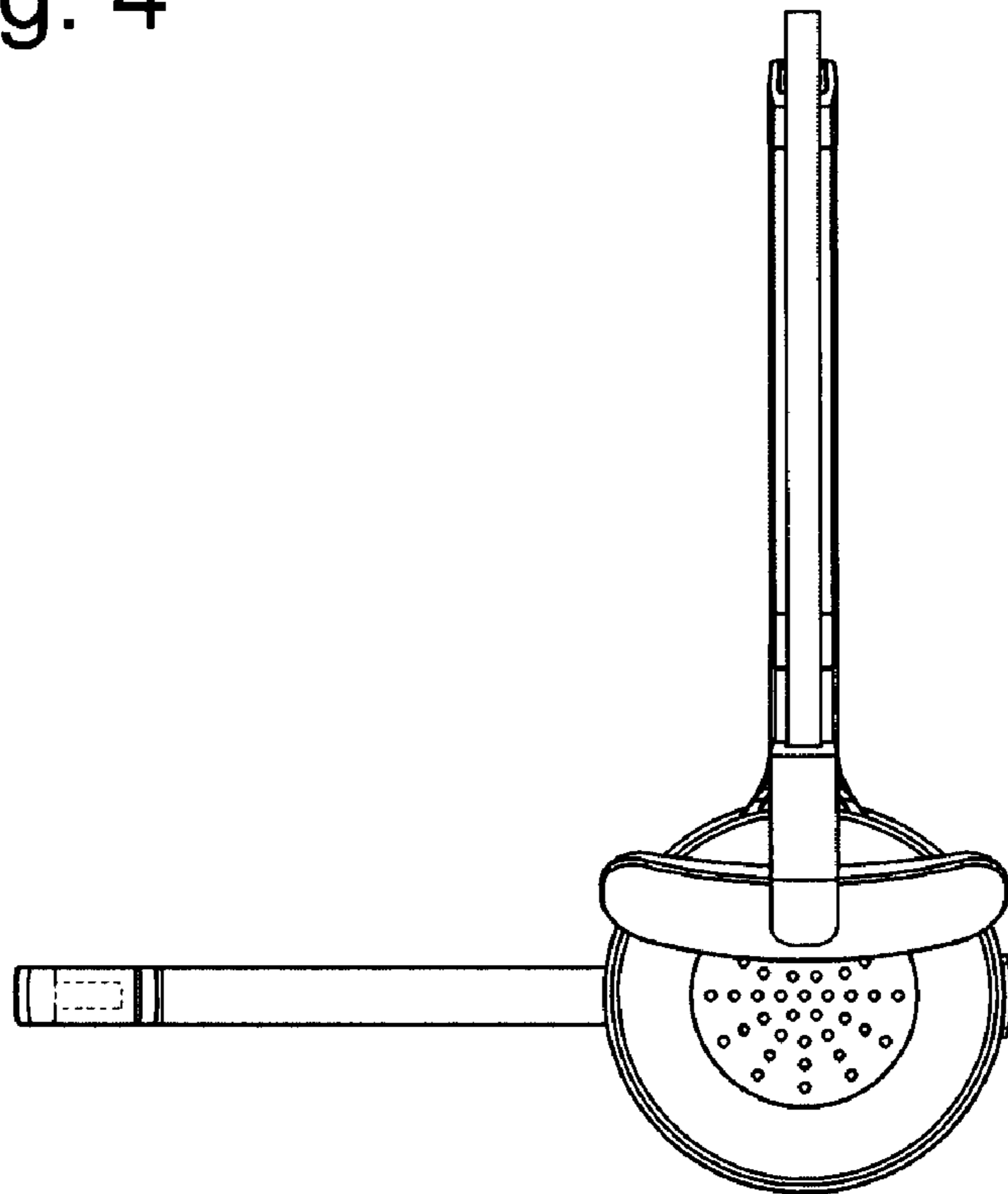


Fig. 5

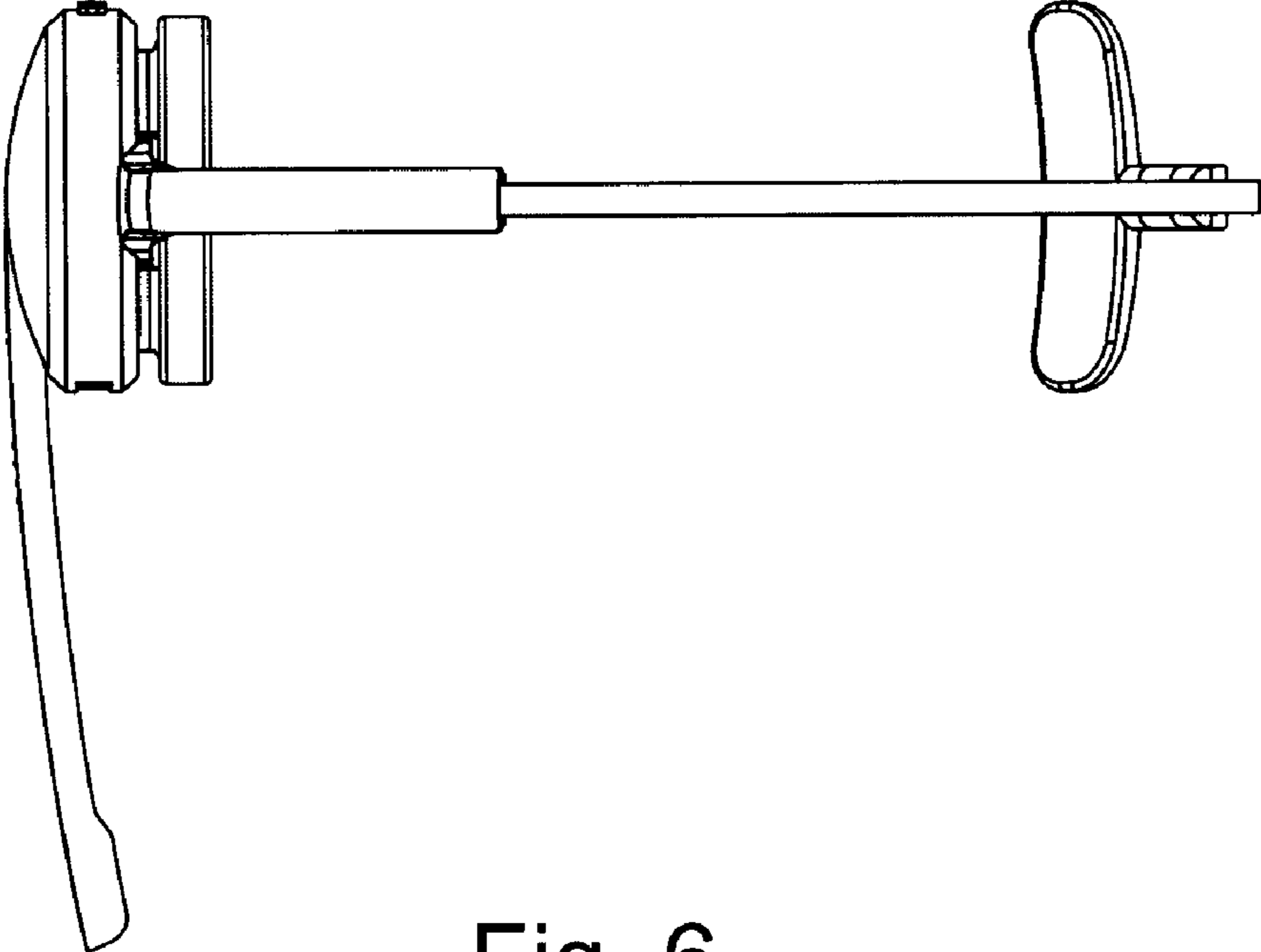


Fig. 6

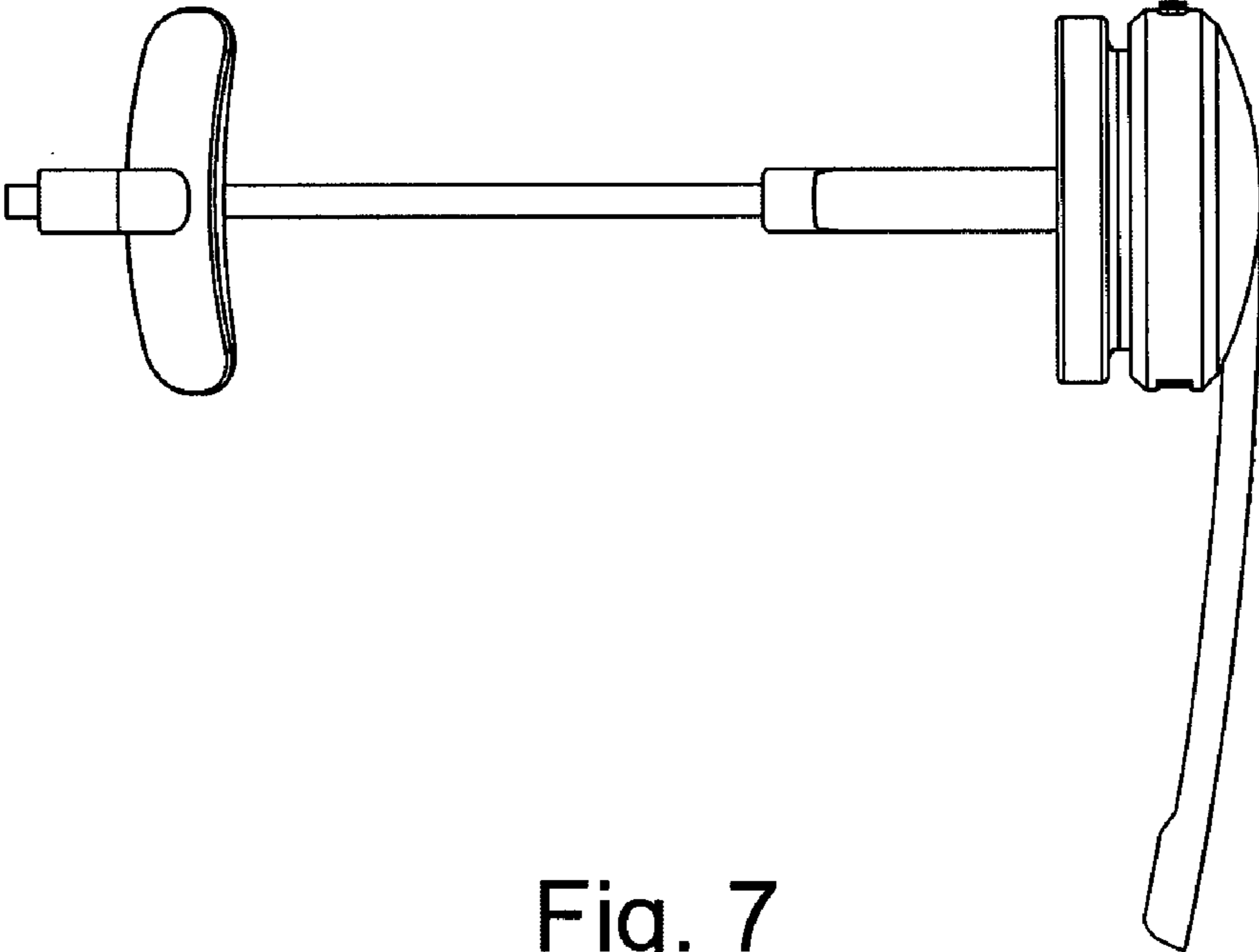


Fig. 7