



US00D637999S

(12) **United States Design Patent**
Brunner et al.

(10) **Patent No.:** **US D637,999 S**

(45) **Date of Patent:** **** *May 17, 2011**

(54) **AUDIO LISTENING SYSTEM**

(75) Inventors: **Robert Brunner**, San Francisco, CA (US); **Victoria Slaker**, San Francisco, CA (US); **Timothy Tan Leong yew**, San Francisco, CA (US)

(73) Assignee: **Beats Electronics, LLC**, Santa Monica, CA (US)

(**) Term: **14 Years**

(21) Appl. No.: **29/353,185**

(22) Filed: **Jan. 4, 2010**

(51) **LOC (9) Cl.** **14-01**

(52) **U.S. Cl.** **D14/205**

(58) **Field of Classification Search** D14/205, D14/206, 223, 168, 188, 192, 249, 142; 379/430, 379/420.02, 420.4; 381/380, 381, 375, 374, 381/370, 371, 328; 455/90.3, 569.1, 575.1; D24/174; 128/864, 866, 867; D13/168

See application file for complete search history.

(56) **References Cited**

U.S. PATENT DOCUMENTS

D233,444 S * 10/1974 Christian D14/206

(Continued)

OTHER PUBLICATIONS

U.S. Appl. No. 29/353,184, filed Jan. 4, 2010.

Primary Examiner — Paula Greene

(74) *Attorney, Agent, or Firm* — Michael G. Kelber; Neal, Gerber & Eisenberg LLP

(57) **CLAIM**

The ornamental design for an audio listening system, as shown and described.

DESCRIPTION

FIG. 1 is a perspective view of an audio listening system showing our new design;

FIG. 2 is a perspective view of the ear bud of an audio listening system shown separately for purposes of illustration;

FIG. 3 is a bottom perspective view of an embodiment of the ear bud of the new design;

FIG. 4 is a back view of an embodiment of the ear bud of the new design;

FIG. 5 is right side view of an embodiment of the ear bud of the new design;

FIG. 6 is a front view of an embodiment of the ear bud of the new design;

FIG. 7 is a left side view of an embodiment of the ear bud of the new design;

FIG. 8 is a bottom view of an embodiment of the ear bud of the new design;

FIG. 9 is a top view of an embodiment of the ear bud of the new design;

FIG. 10 is a perspective view of a second embodiment of an audio listening system showing our new design;

FIG. 11 is a perspective view of an ear bud of an audio listening systems shown separately for purposes of illustration;

FIG. 12 is a bottom perspective view of an alternative embodiment of the ear bud of the new design;

FIG. 13 is a back view of an alternative embodiment of the ear bud of the new design;

FIG. 14 is right side view of an alternative embodiment of the ear bud of the new design;

FIG. 15 is a front view of an alternative embodiment of the ear bud of the new design;

FIG. 16 is a left side view of an alternative embodiment of the ear bud of the new design;

FIG. 17 is a bottom view of an alternative embodiment of the ear bud of the new design;

FIG. 18 is a top view of an alternative embodiment of the ear bud of the new design;

FIG. 19 is a top view of a splitter of an audio listening system showing our new design, shown separately for purposes of illustration;

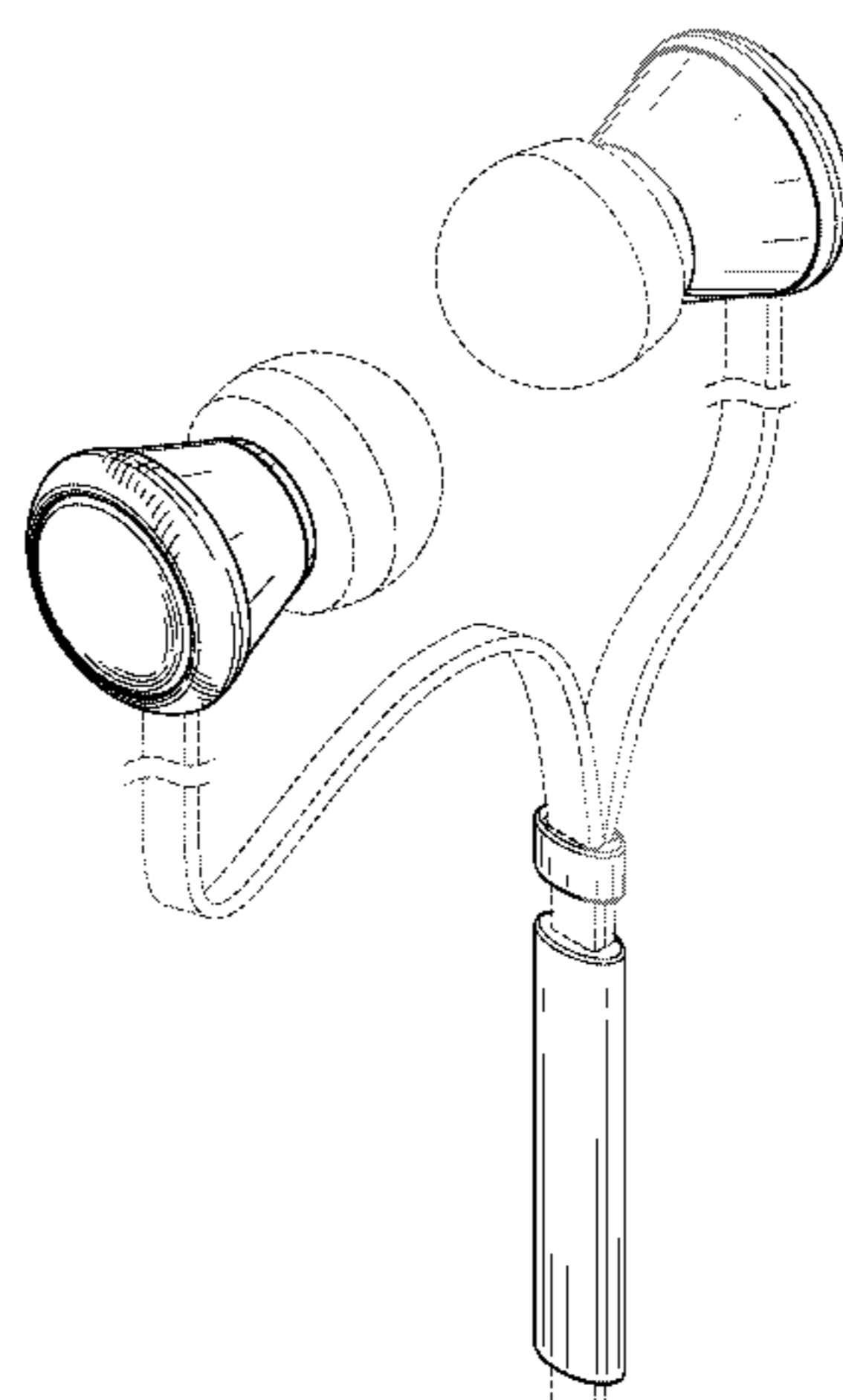
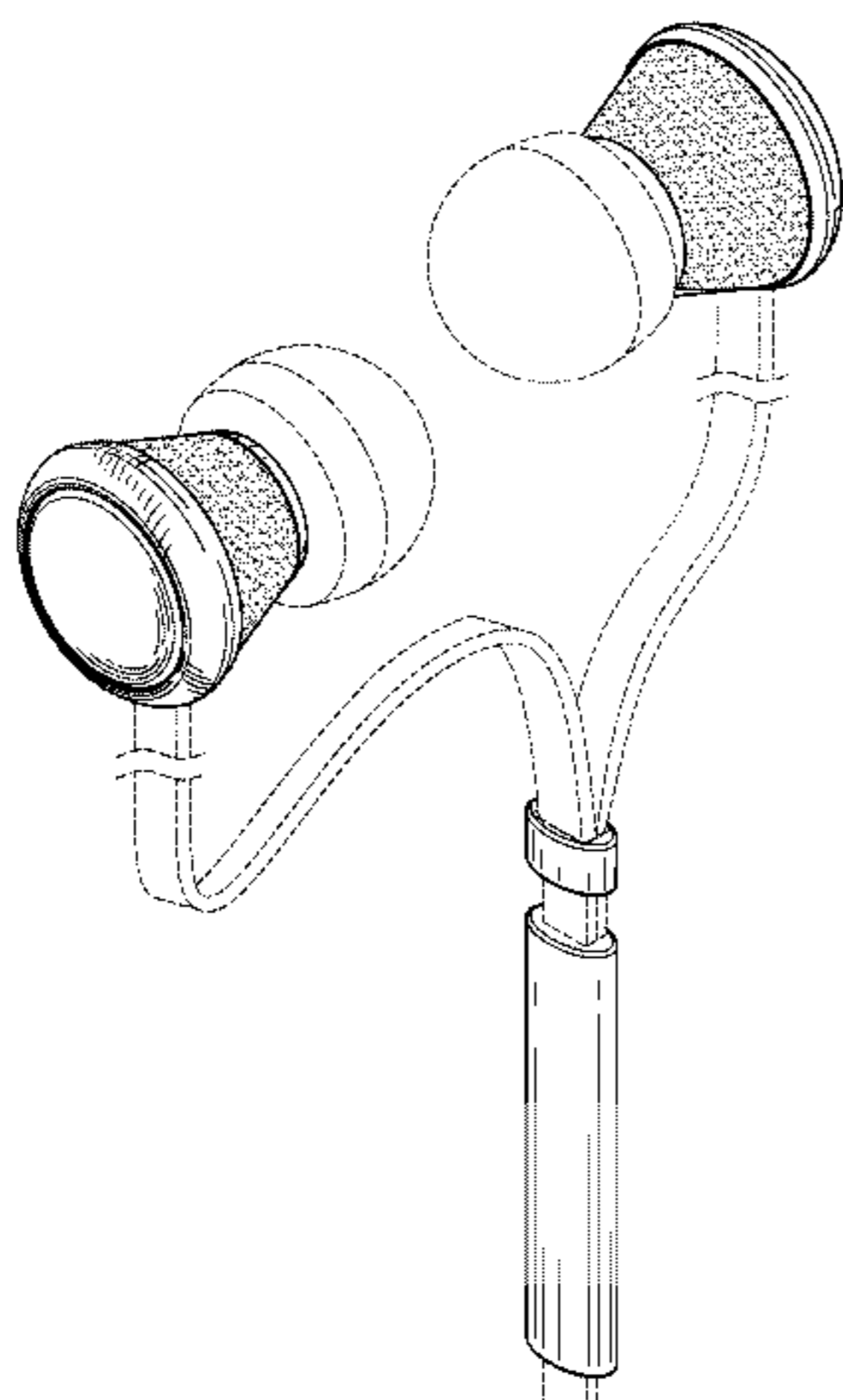
FIG. 20 is a side view of an embodiment of the splitter of a new design;

FIG. 21 is a side view of an embodiment of the splitter of a new design; and,

FIG. 22 is a bottom view of an embodiment of the splitter of a new design.

The broken lines showing the environment in the Figures are for illustrative purposes only and form no part of the claimed design.

1 Claim, 11 Drawing Sheets



US D637,999 S

Page 2

U.S. PATENT DOCUMENTS

D241,881	S	*	10/1976	Peterson et al.	D24/106
4,253,452	A	*	3/1981	Powers et al.	128/864
D299,344	S	*	1/1989	Stevens	D14/249
D316,550	S	*	4/1991	Sogabe	D14/168
D318,670	S	*	7/1991	Taniguchi	D14/205
5,179,501	A	*	1/1993	Ocken et al.	361/709
D334,043	S	*	3/1993	Taniguchi et al.	D14/218
D443,859	S	*	6/2001	Hogan	D13/133
D459,342	S	*	6/2002	Marion et al.	D14/223
D475,996	S	*	6/2003	Skulley	D14/240
D526,642	S		8/2006	Choe		
D569,841	S	*	5/2008	Chung et al.	D14/205
D591,264	S	*	4/2009	Hong et al.	D14/205
D603,837	S		11/2009	Martin		
D605,628	S	*	12/2009	Ando	D14/205
D607,875	S	*	1/2010	Pedersen, II	D14/206
D614,168	S	*	4/2010	Rogers et al.	D14/206

* cited by examiner

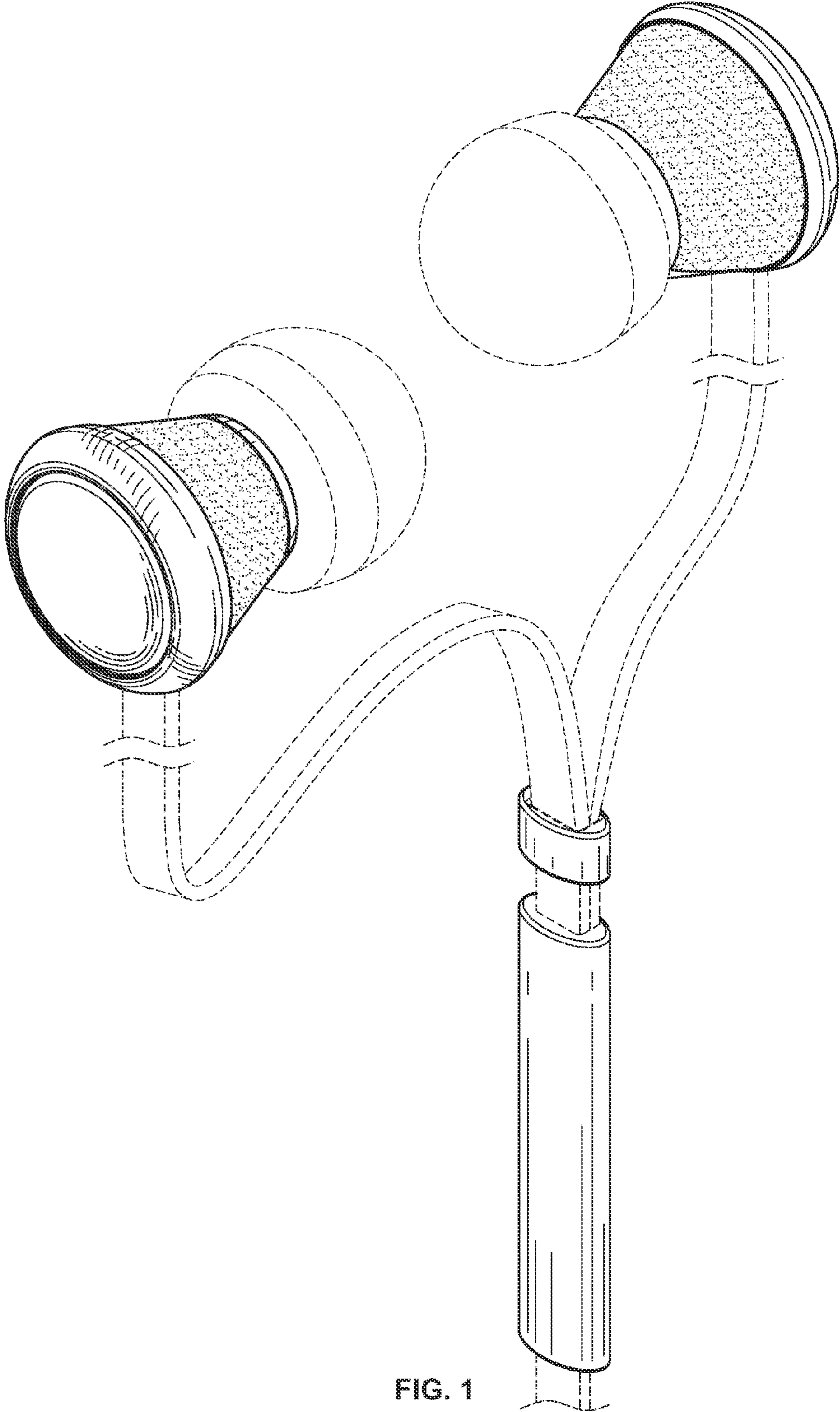


FIG. 1

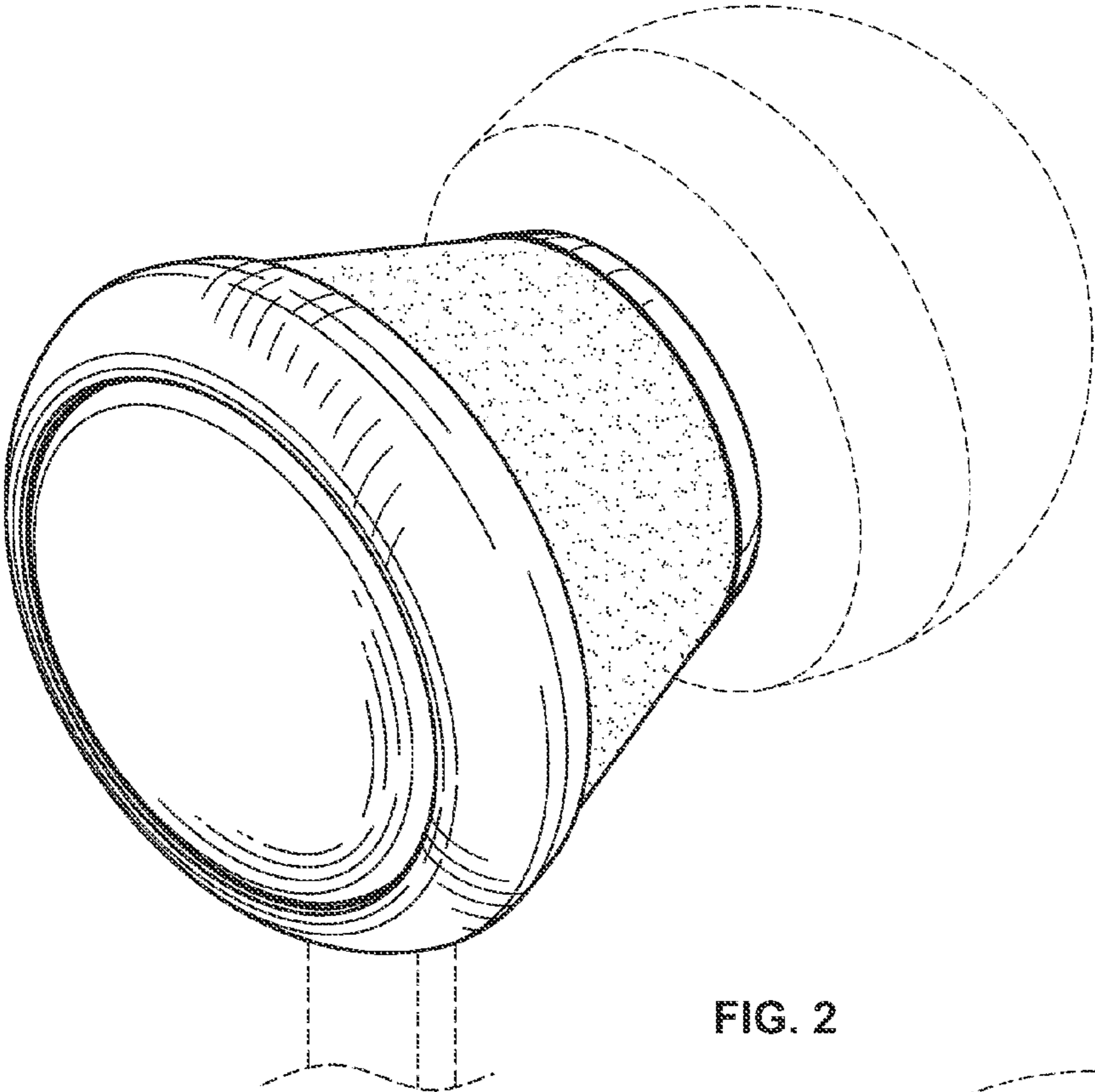


FIG. 2

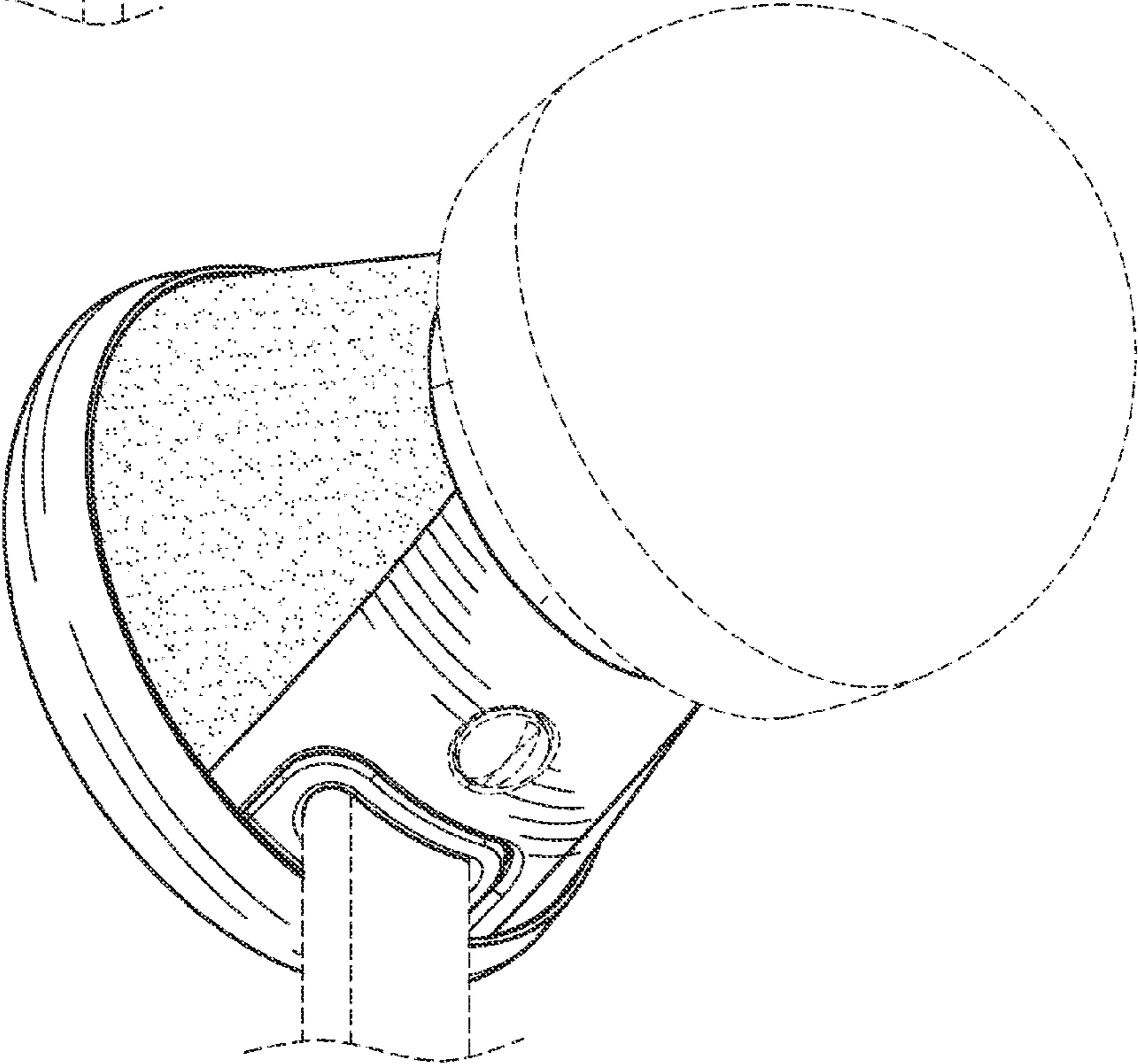


FIG. 3

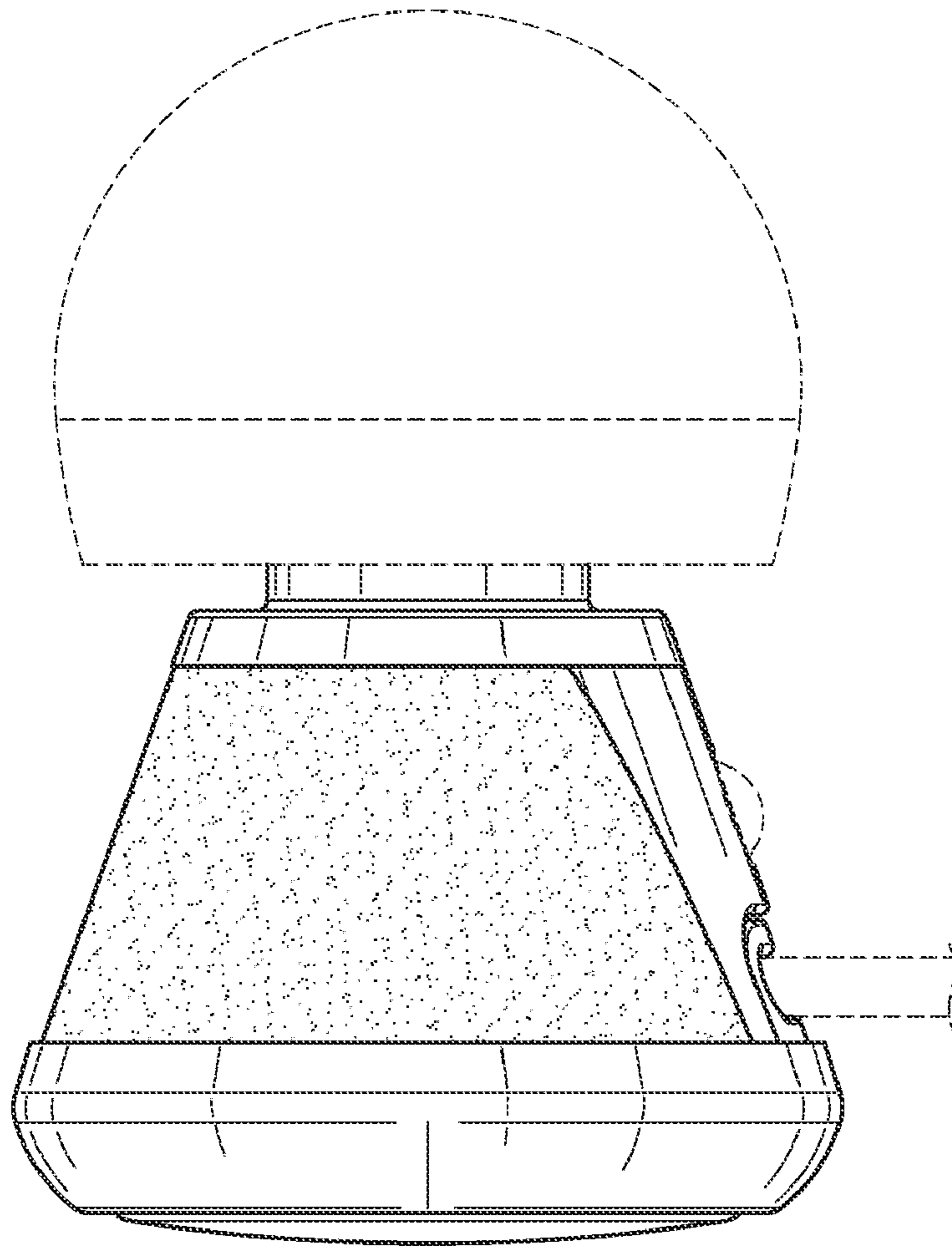


FIG. 5

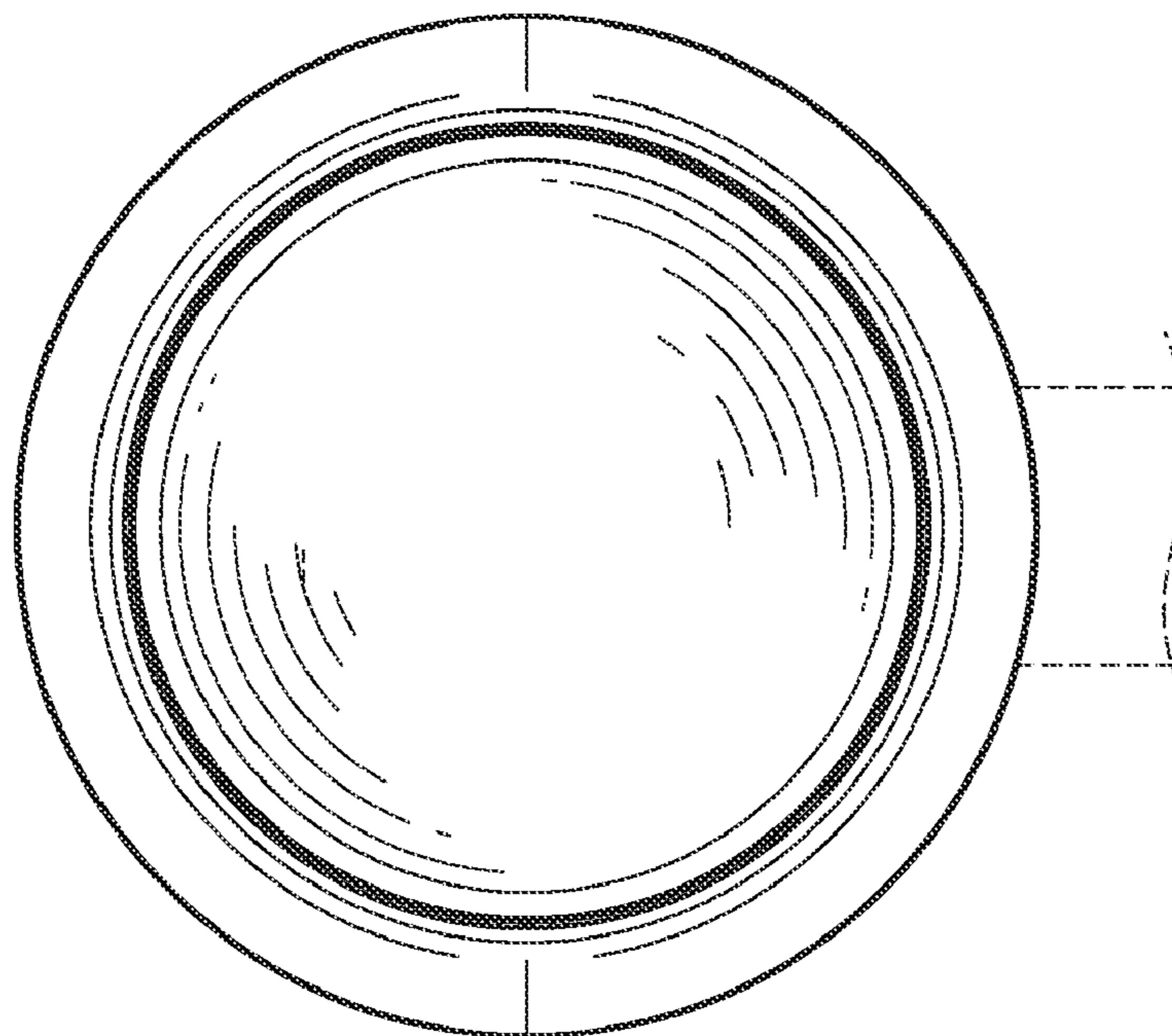


FIG. 4

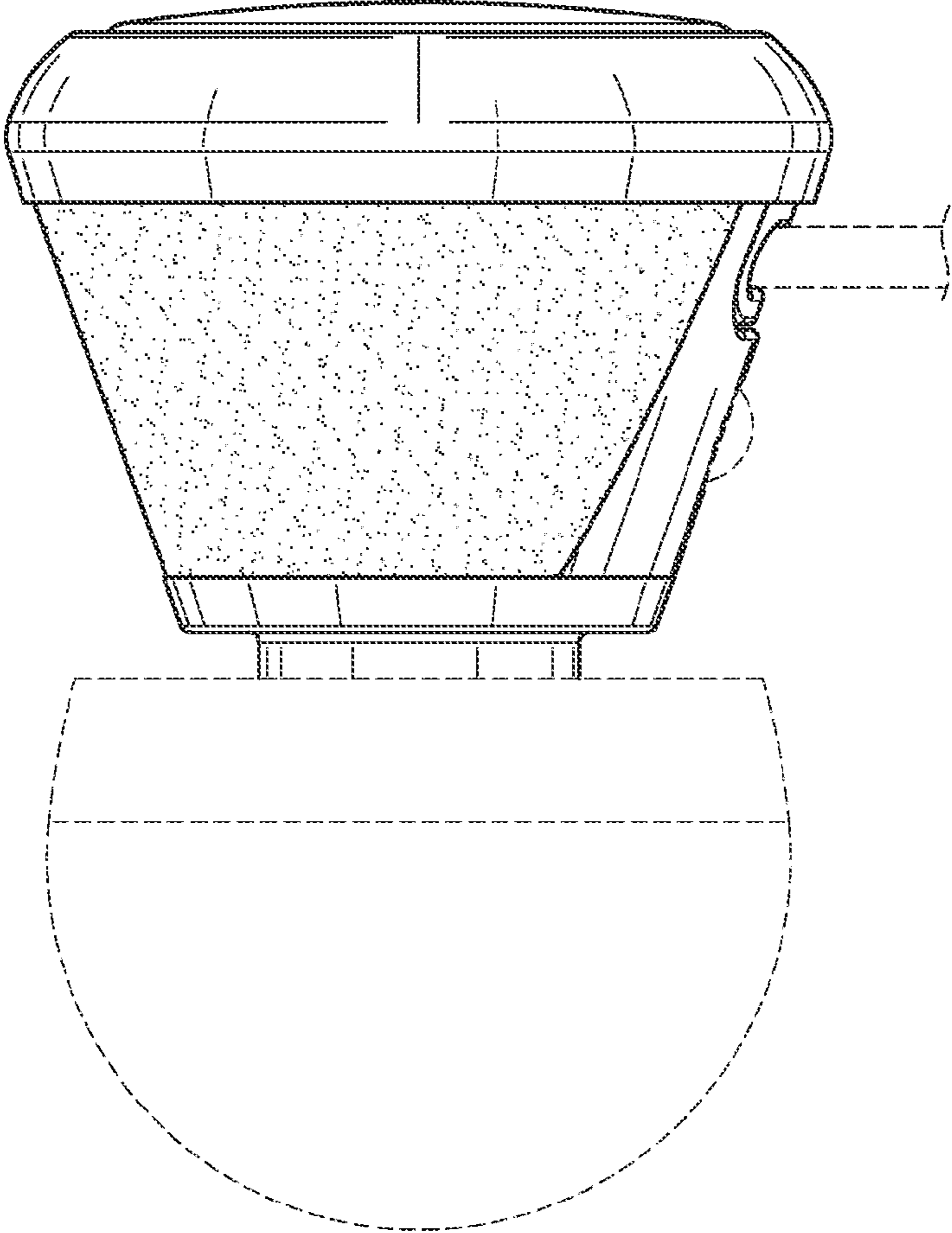


FIG. 6

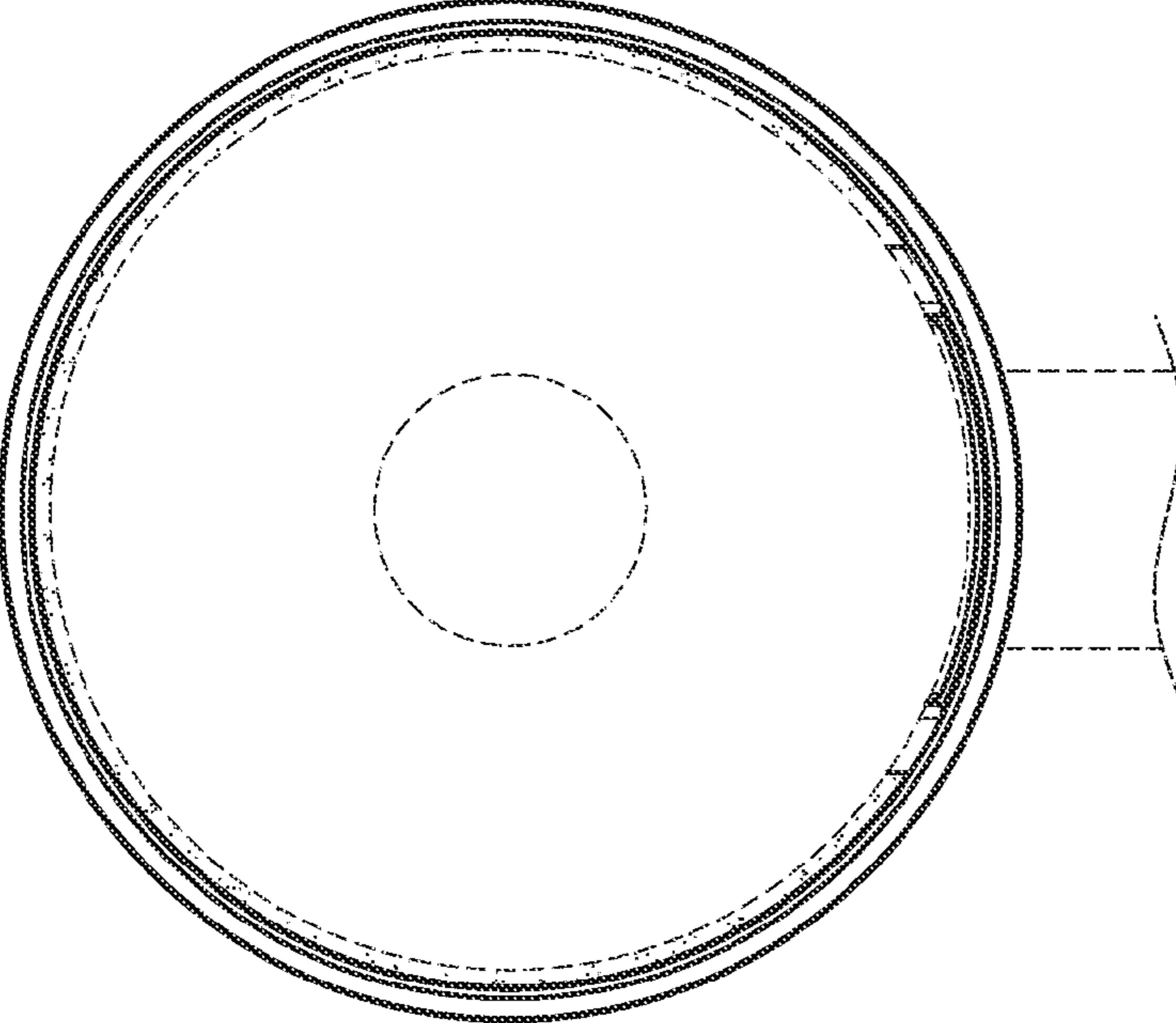


FIG. 7

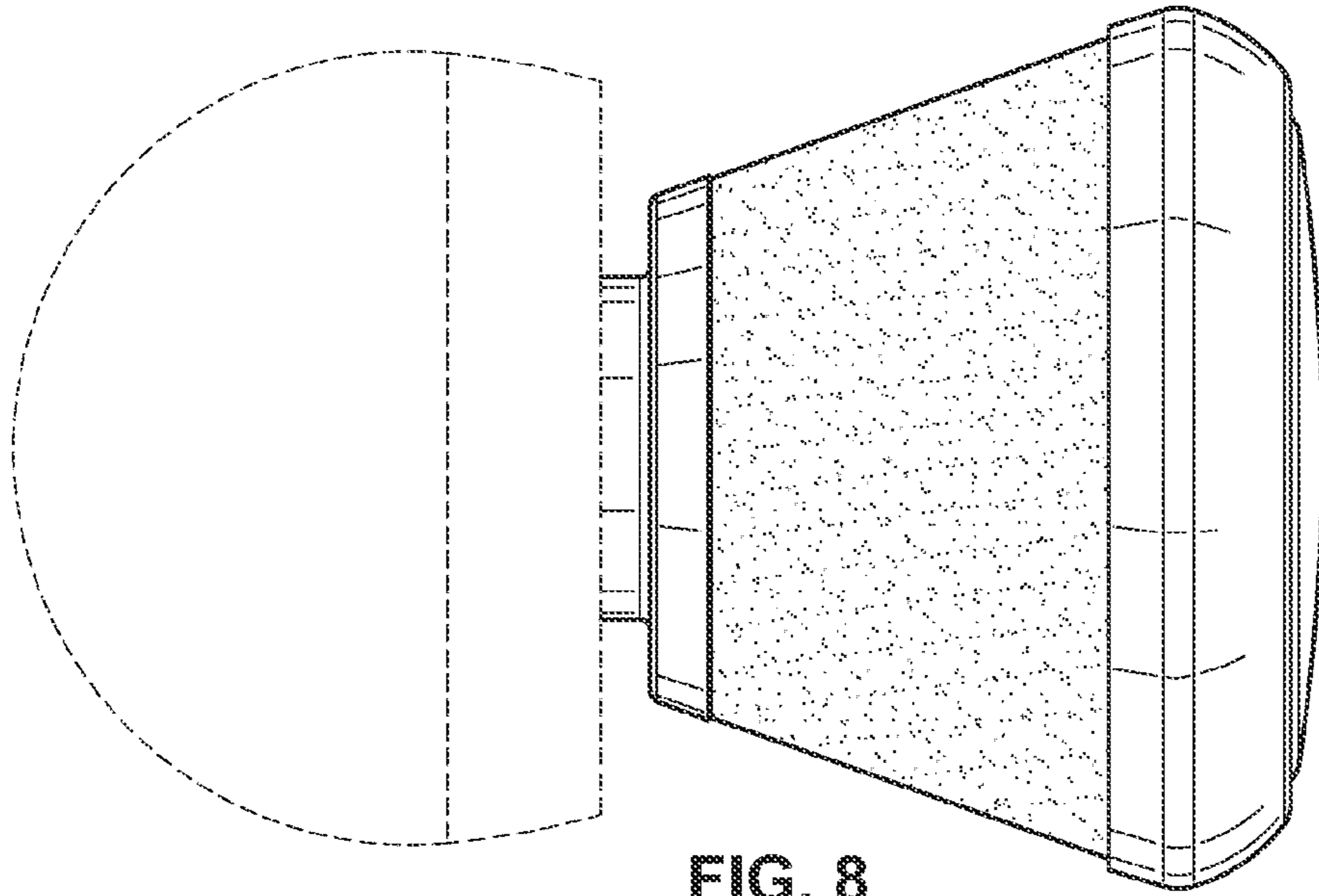


FIG. 8

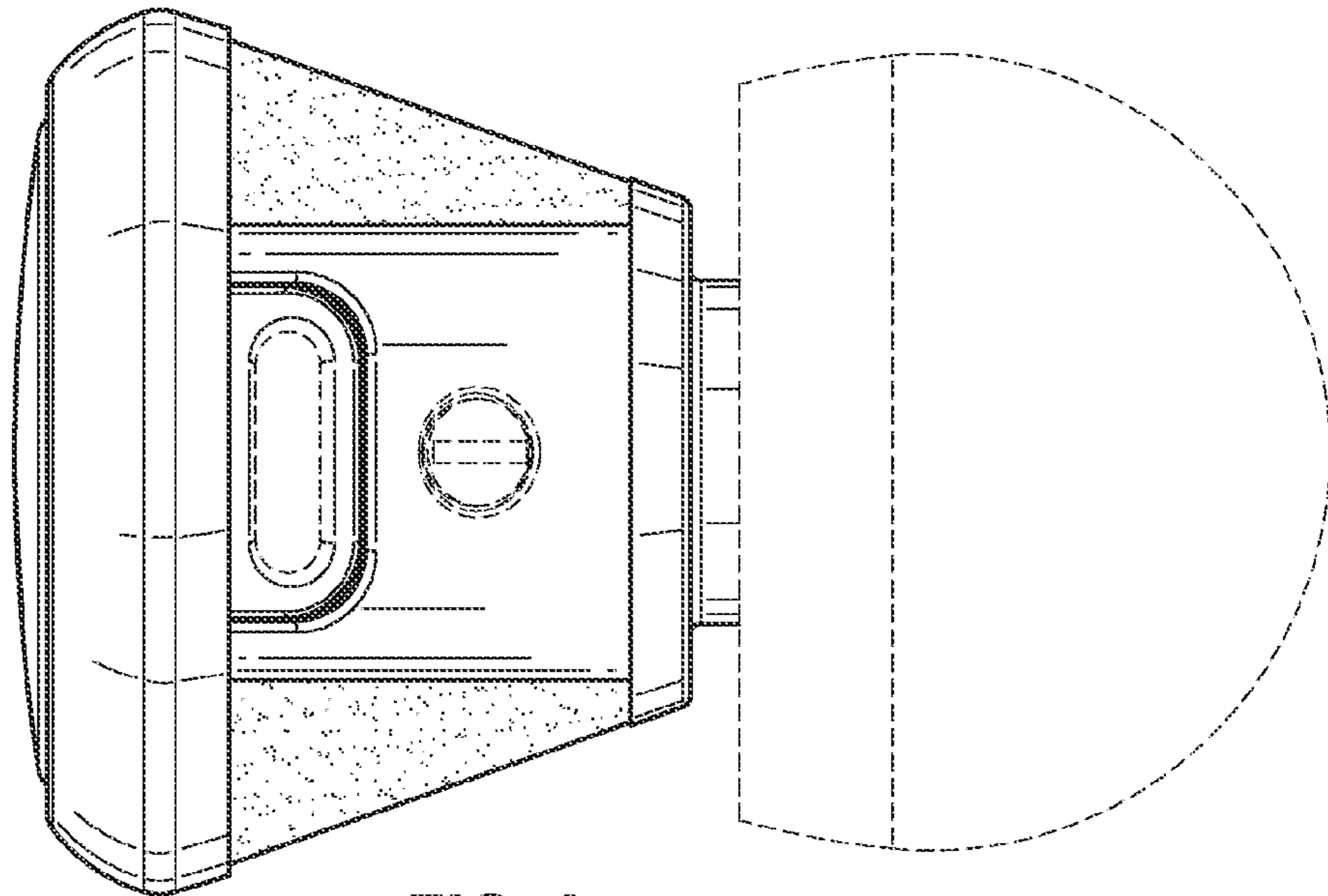


FIG. 9

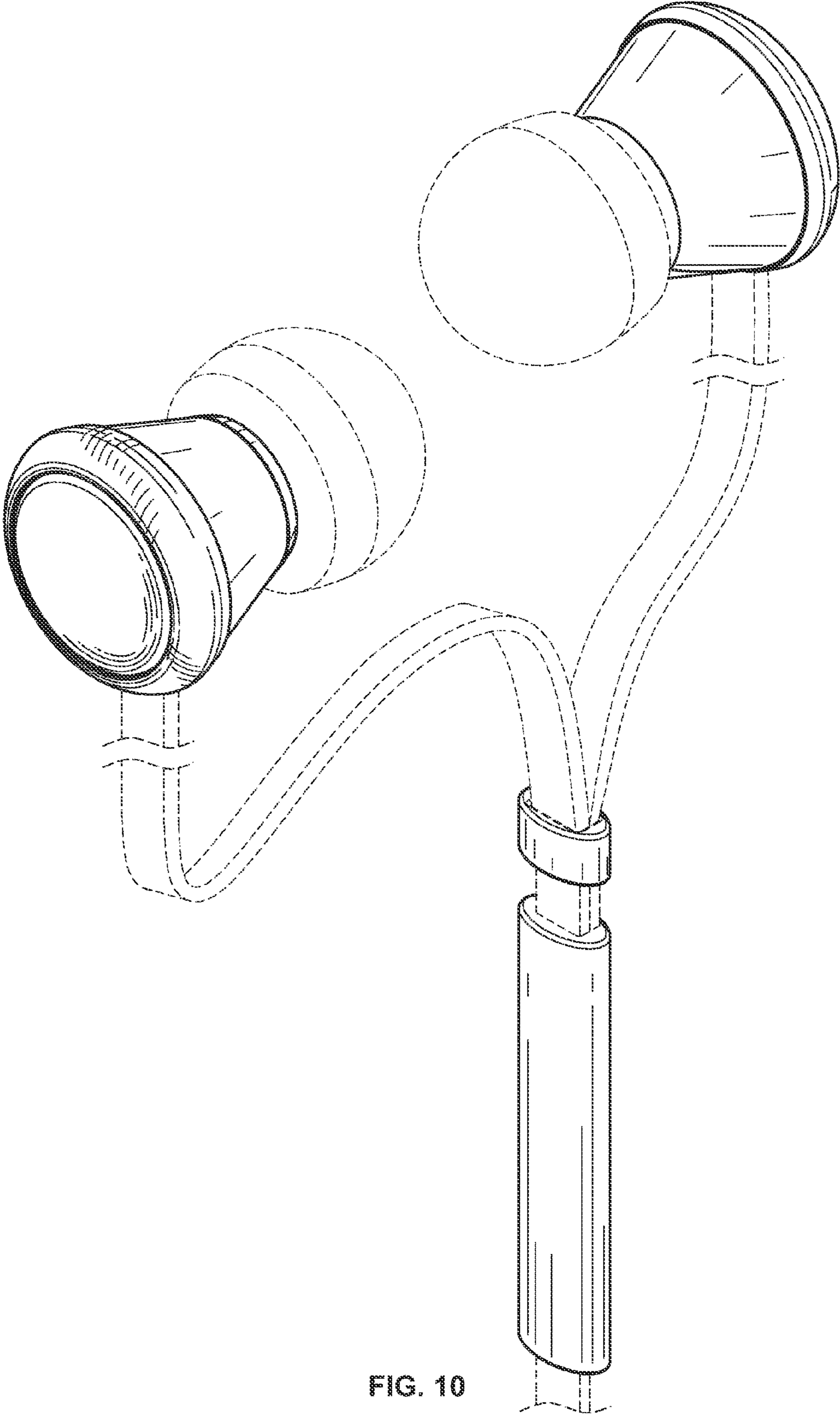


FIG. 10

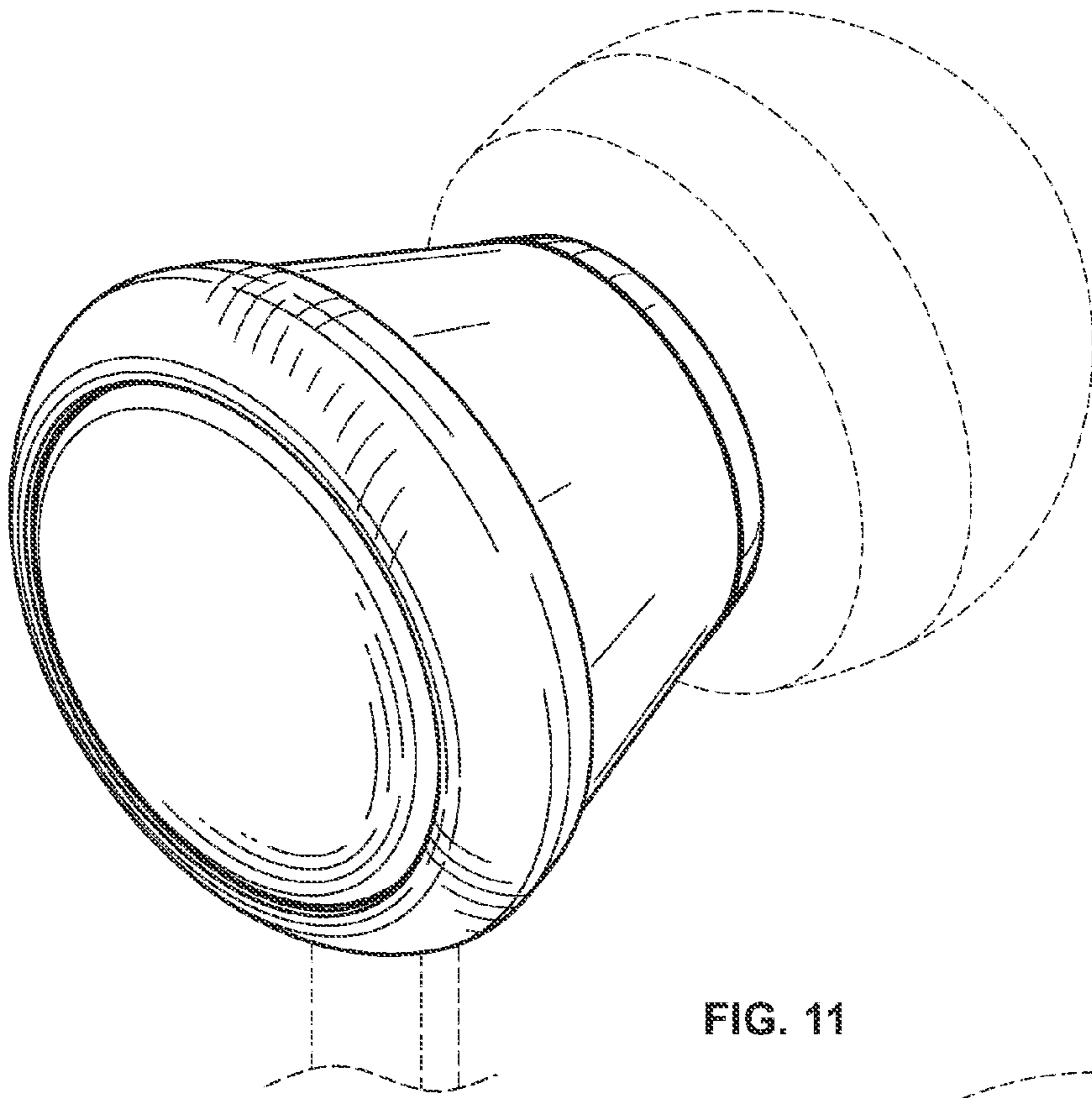


FIG. 11

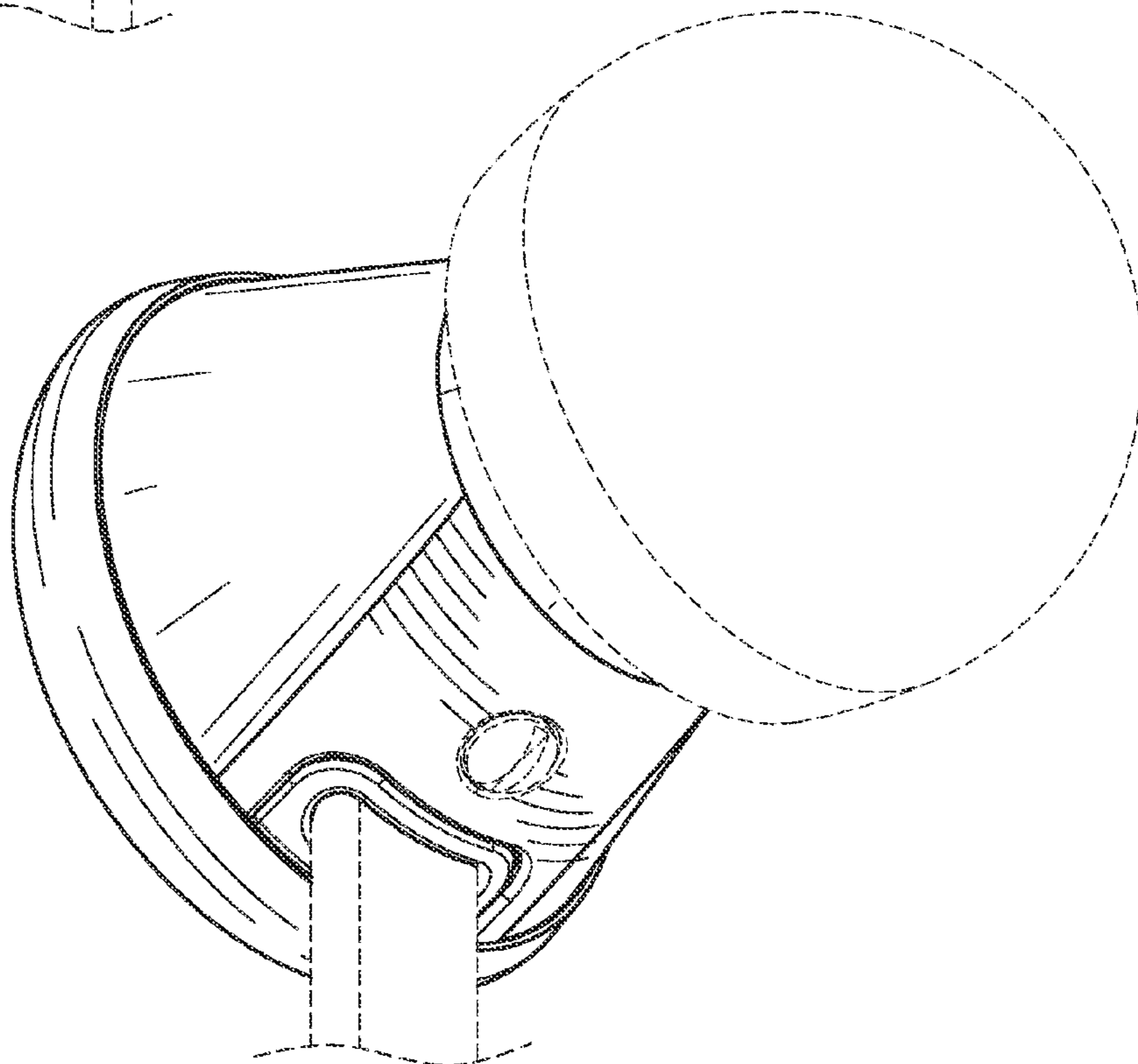


FIG. 12

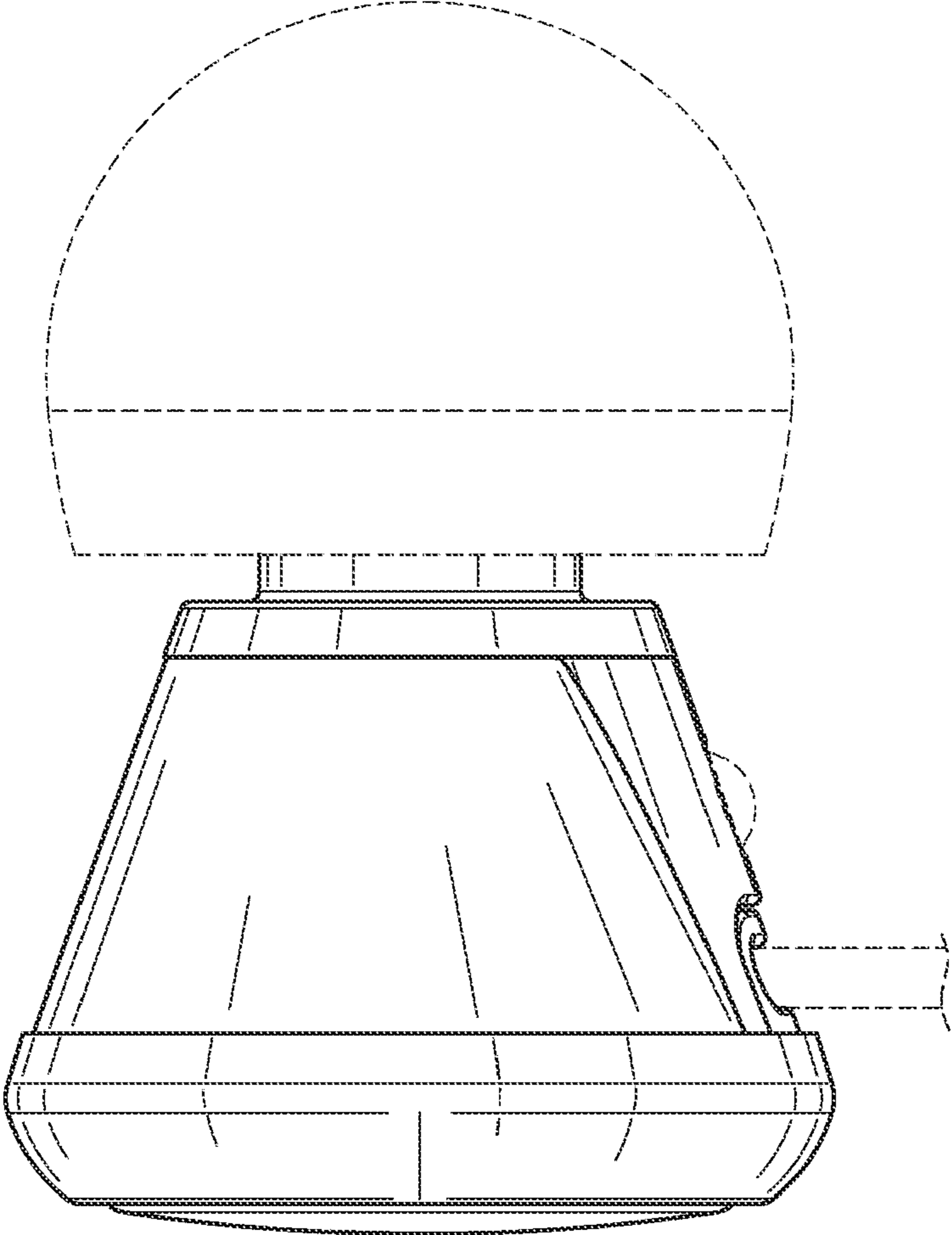


FIG. 14

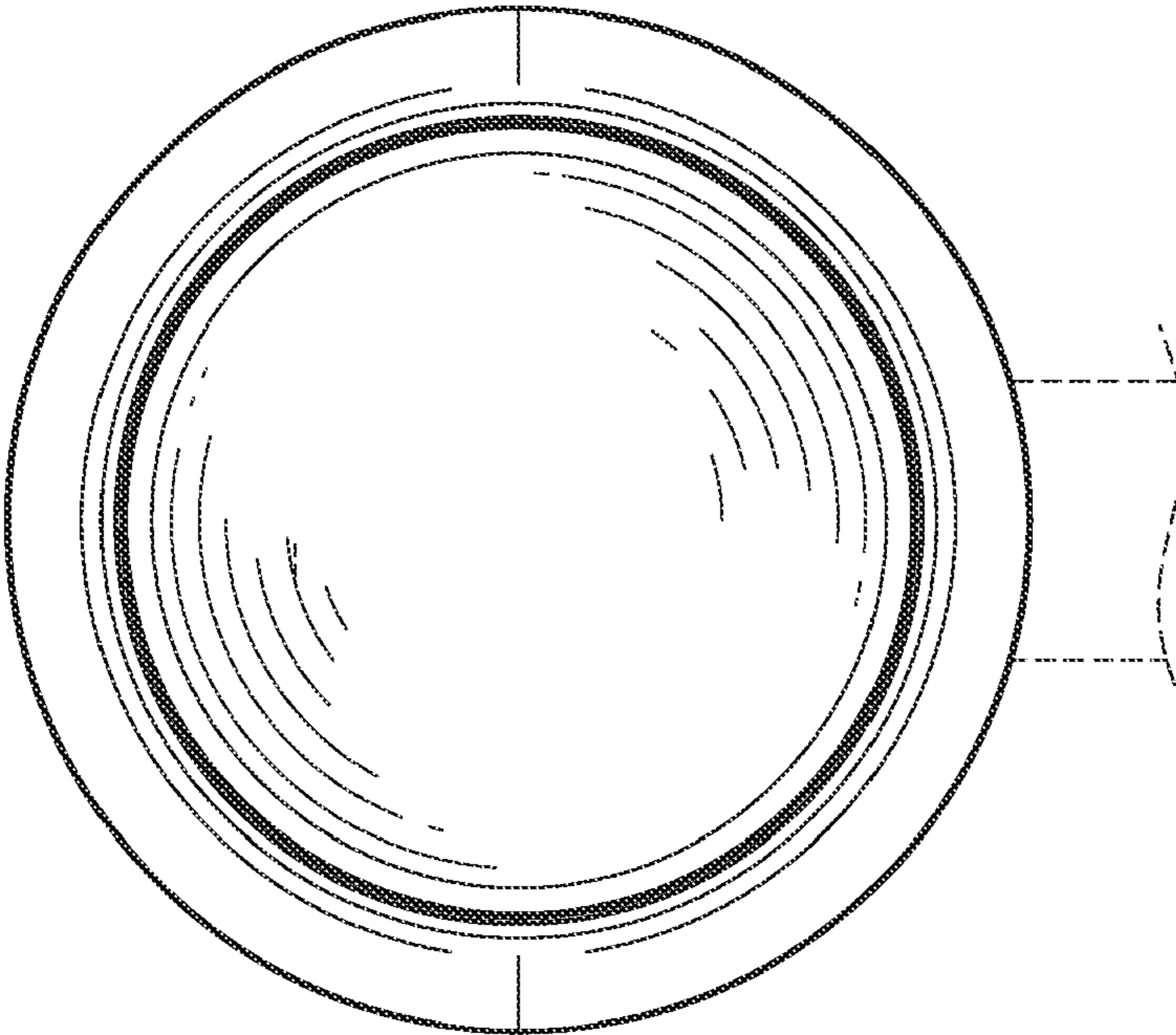


FIG. 13

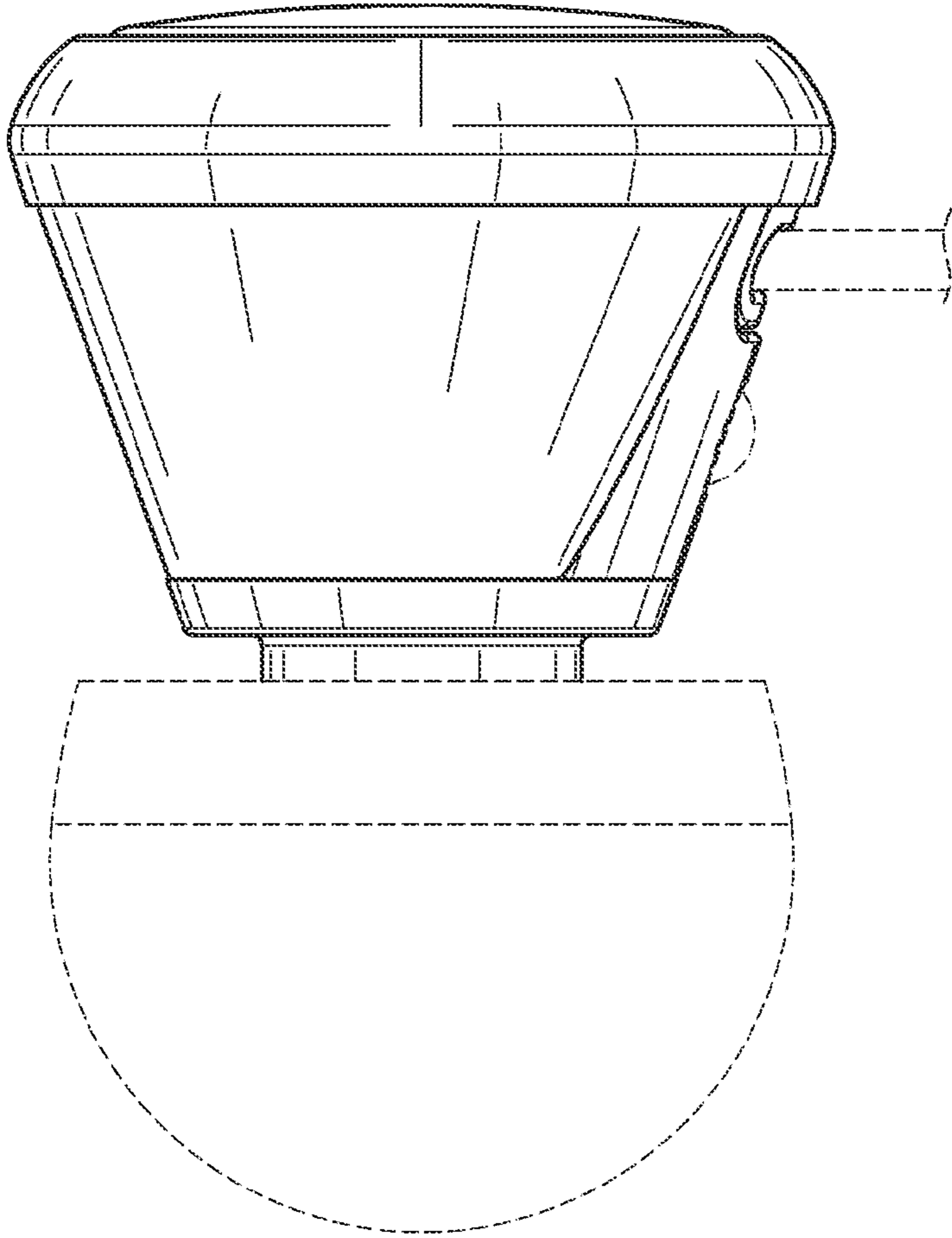


FIG. 16

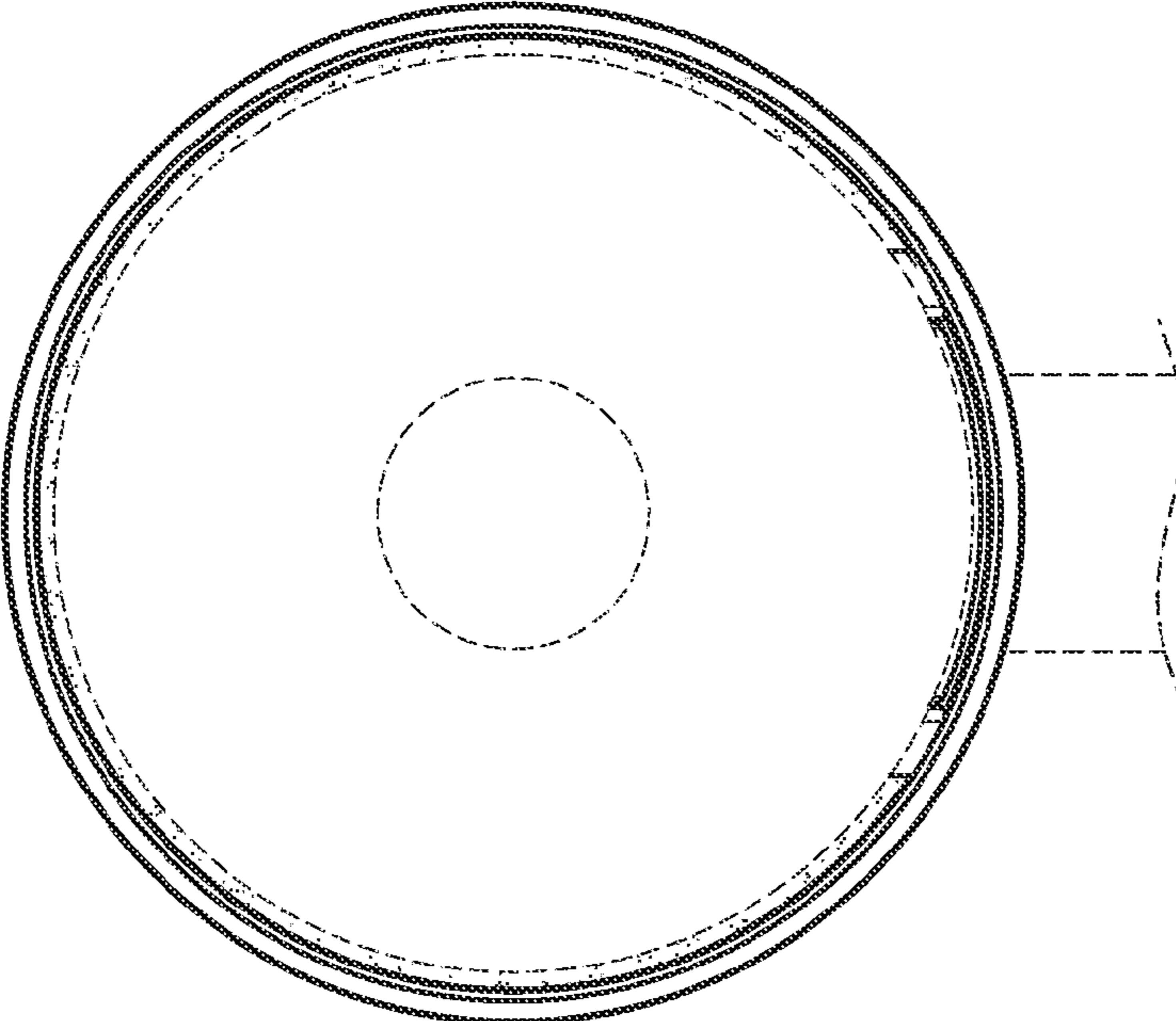


FIG. 15

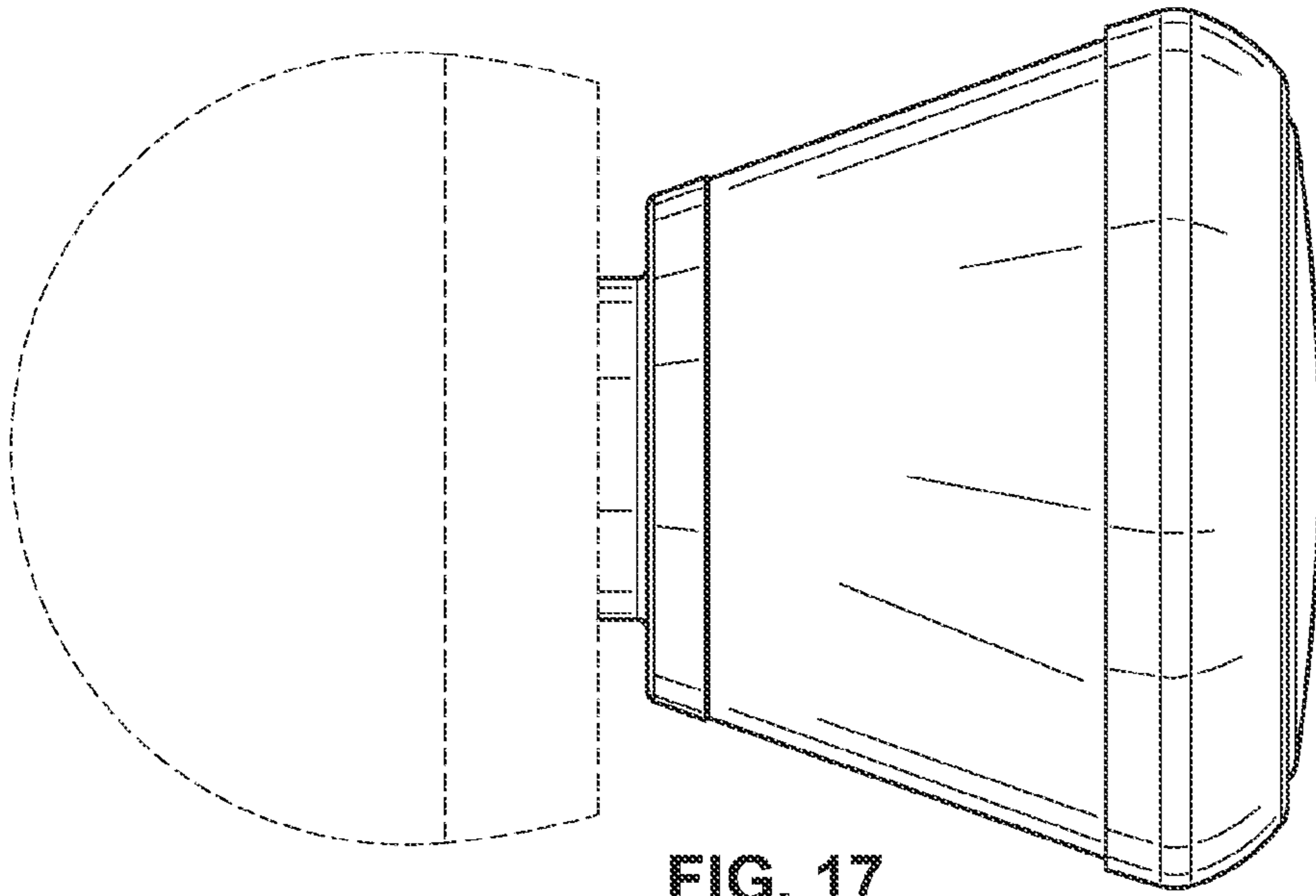


FIG. 17

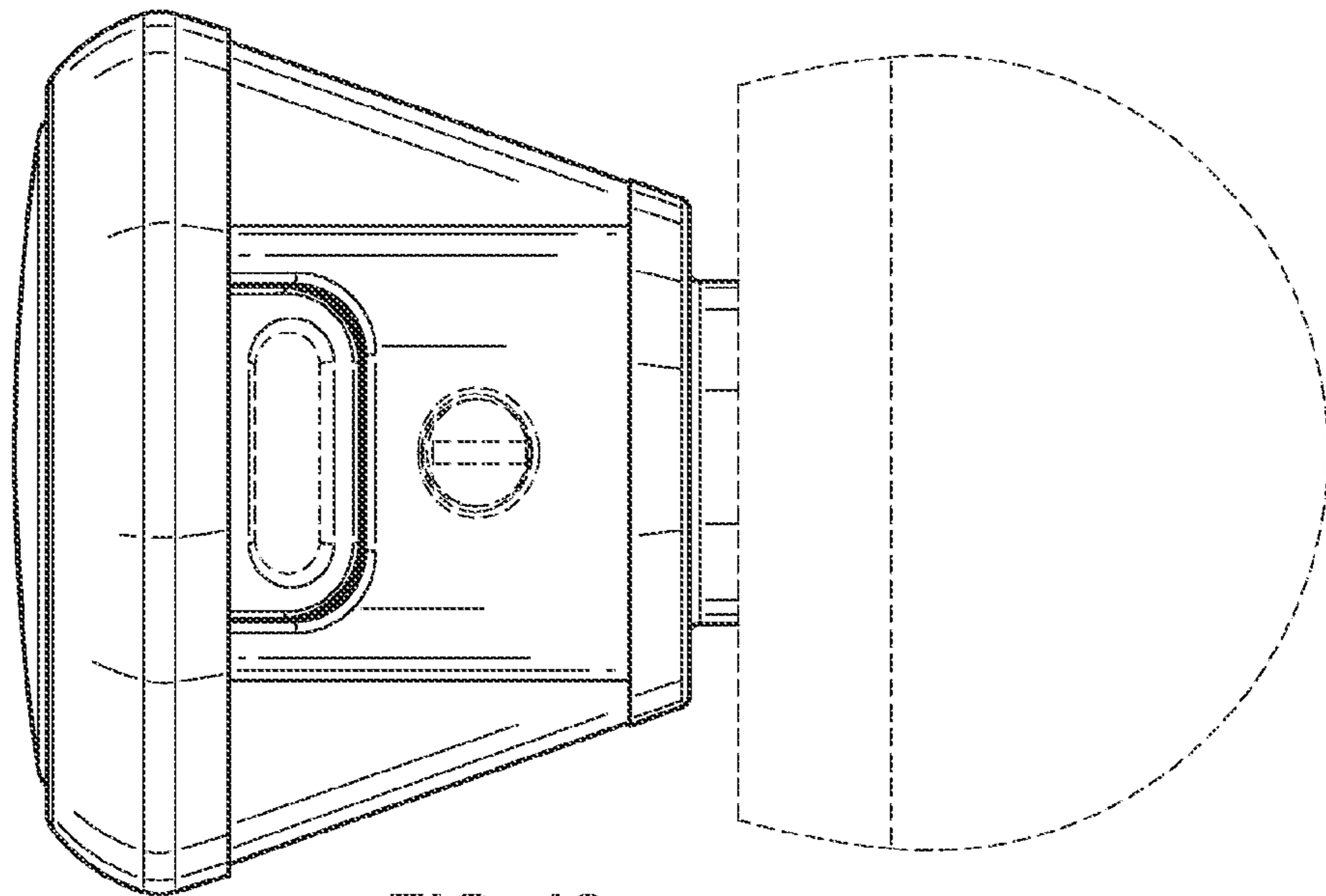


FIG. 18

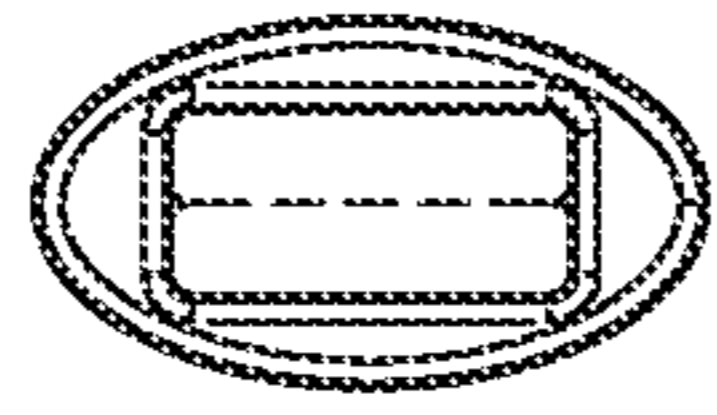


FIG. 19

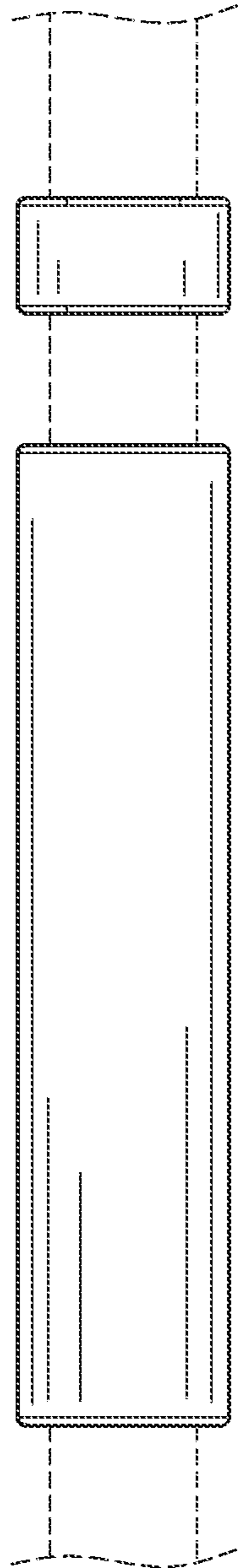


FIG. 20

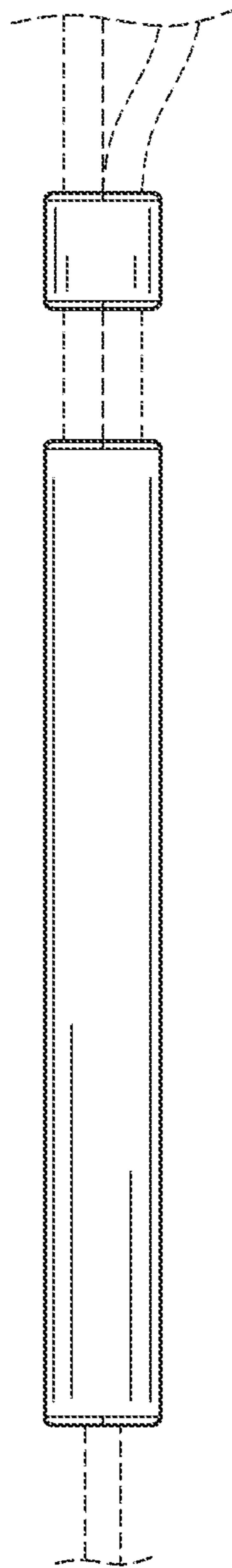


FIG. 21

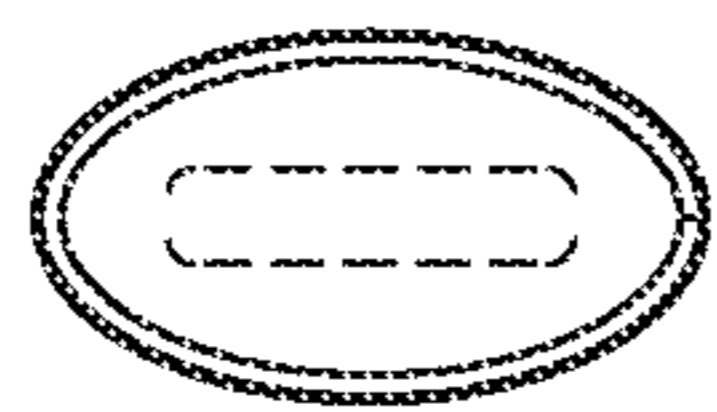


FIG. 22