



US00D637998S

(12) **United States Design Patent**
Brunner et al.

(10) **Patent No.:** **US D637,998 S**
(45) **Date of Patent:** **** *May 17, 2011**

(54) **AUDIO LISTENING SYSTEM**

(75) Inventors: **Robert Brunner**, San Francisco, CA (US); **Xuan Shu**, San Francisco, CA (US)
(73) Assignee: **Beats Electronics, LLC**, Santa Monica, CA (US)
(**) Term: **14 Years**
(21) Appl. No.: **29/353,184**
(22) Filed: **Jan. 4, 2010**
(51) **LOC (9) Cl.** **14-01**
(52) **U.S. Cl.** **D14/205**
(58) **Field of Classification Search** D14/205, D14/206, 223, 168, 188, 192, 249; 379/430, 379/420.02, 420.04; 381/375, 374, 370, 381/371, 328; 455/90.3, 569.1, 575.1; D24/174; 128/864, 866, 867
See application file for complete search history.

(56) **References Cited**

U.S. PATENT DOCUMENTS

D233,444 S *	10/1974	Christian	D14/206
D241,881 S	10/1976	Peterson et al.		
4,253,452 A	3/1981	Powers		
D270,634 S *	9/1983	Ungar	D14/205
D299,344 S	1/1989	Stevens		
D316,550 S *	4/1991	Sogabe	D14/168
D318,670 S *	7/1991	Taniguchi	D14/205
D334,043 S *	3/1993	Taniguchi et al.	D14/218

(Continued)

OTHER PUBLICATIONS

Co-pending U.S. Appl. No. 29/353,185 for "Audio Listening System" filed Jan. 4, 2010.

(Continued)

Primary Examiner — Paula Greene

(74) *Attorney, Agent, or Firm* — Michael G. Kelber; Neal, Gerber & Eisenberg LLP

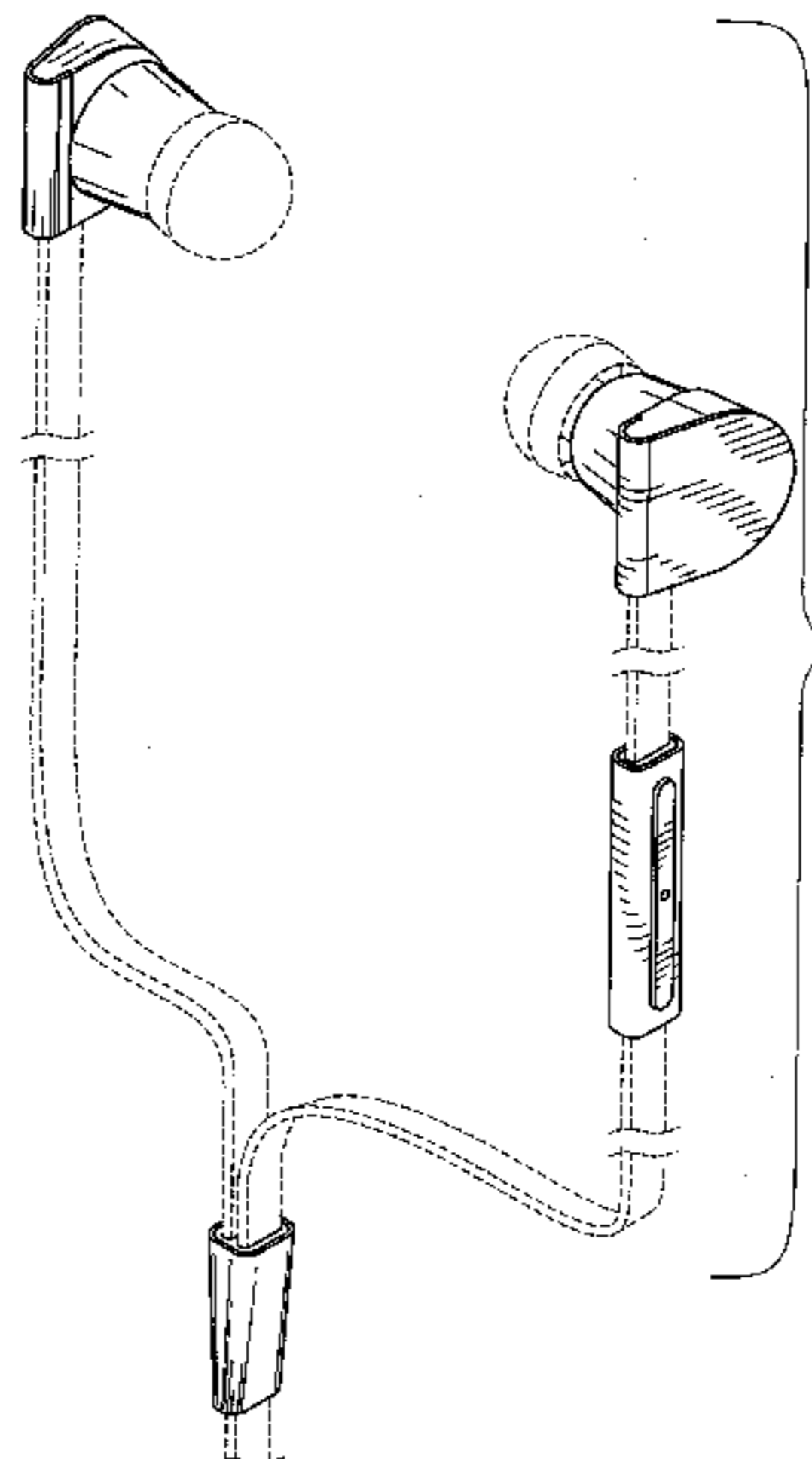
(57) **CLAIM**

The ornamental design for the audio listening system, as shown and described.

DESCRIPTION

FIG. 1 is a perspective view of the entire audio listening system, in accordance with the present invention.
FIG. 2 is an enlarged top view of the ear bud for the audio listening system showing our new design, the ear bud is shown separately for purposes of illustration;
FIG. 3 is a back view of an embodiment of the ear bud of the new design;
FIG. 4 is a left side view of an embodiment of the ear bud of the new design;
FIG. 5 is front view of an embodiment of the ear bud of the new design;
FIG. 6 is a right side view of an embodiment of the ear bud of the new design;
FIG. 7 is a bottom view of an embodiment of the ear bud of the new design;
FIG. 8 is an enlarged back view of the control for the audio listening system shown separately for purposes of illustration;
FIG. 9 is a left side view of an embodiment of the control of the new design;
FIG. 10 is a front view of an embodiment of the control of the new design;
FIG. 11 is a right side view of an embodiment of the control of the new design;
FIG. 12 is a top view of an embodiment of the control of the new design;
FIG. 13 is a bottom view of an embodiment of the control of the new design;
FIG. 14 is an enlarged back view of the splitter for the audio listening system shown separately for purposes of illustration;
FIG. 15 is a left side view of the splitter of the new design;
FIG. 16 is a front view of the splitter of the new design;
FIG. 17 is a right side view of the splitter of the new design;
FIG. 18 is a bottom view of the splitter of the new design; and, FIG. 19 is a top view of the splitter of the new design.
The broken lines showing the environment in the Figures are for illustrative purposes only and form no part of the claimed design.

1 Claim, 5 Drawing Sheets



US D637,998 S

Page 2

U.S. PATENT DOCUMENTS

D459,342 S * 6/2002 Marion et al. D14/223
D526,642 S * 8/2006 Choe D14/205
D569,841 S * 5/2008 Chung et al. D14/205
D591,264 S * 4/2009 Hong et al. D14/205
D603,837 S * 11/2009 Martin D14/206
D605,628 S * 12/2009 Ando D14/205
D607,875 S * 1/2010 Pedersen, II D14/206

D614,168 S * 4/2010 Rogers et al. D14/206

OTHER PUBLICATIONS

Co-pending U.S. Appl. No. 29/342,998 for "Audio Listening System" filed Sep. 3, 2009.

* cited by examiner

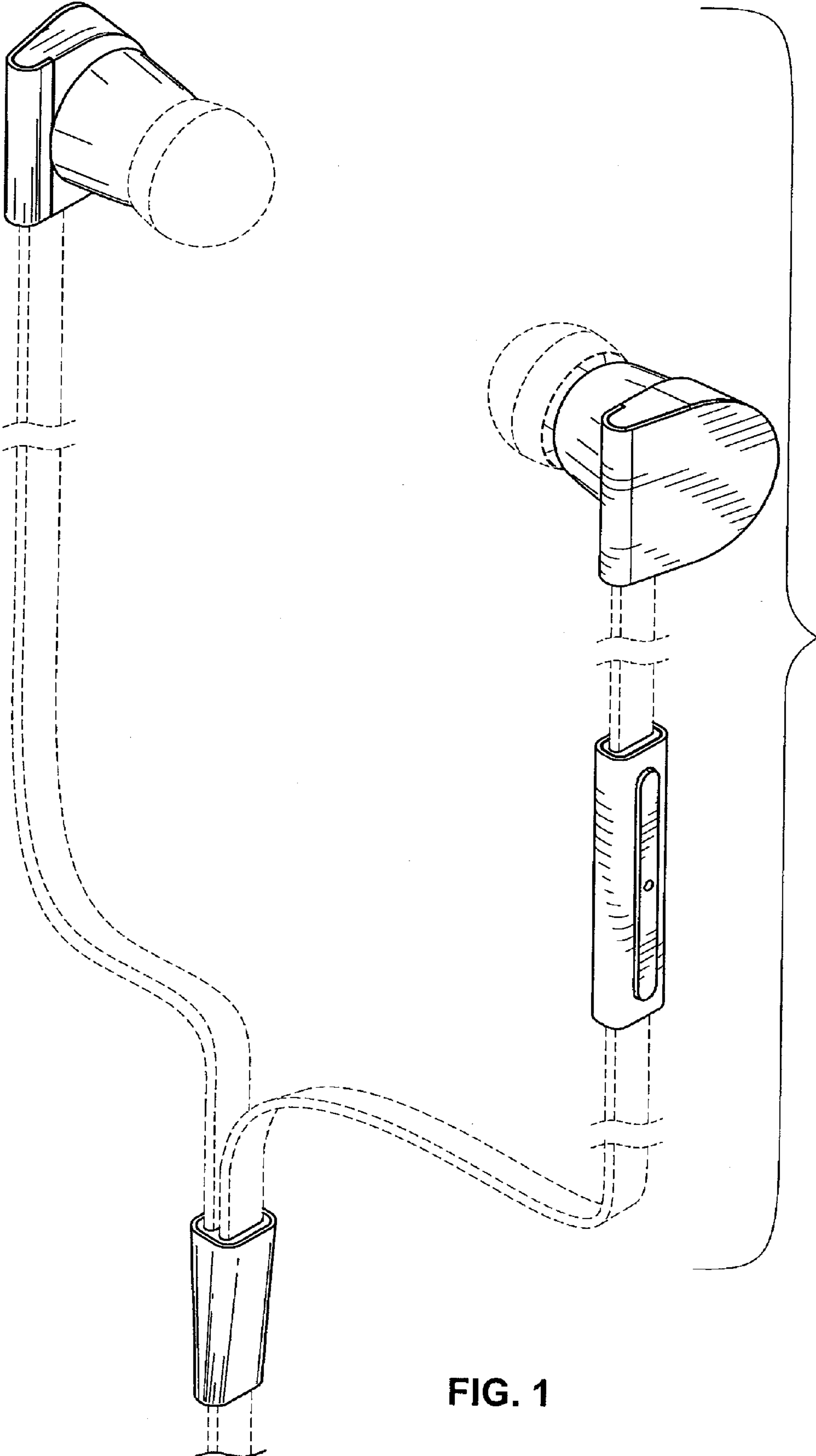


FIG. 1

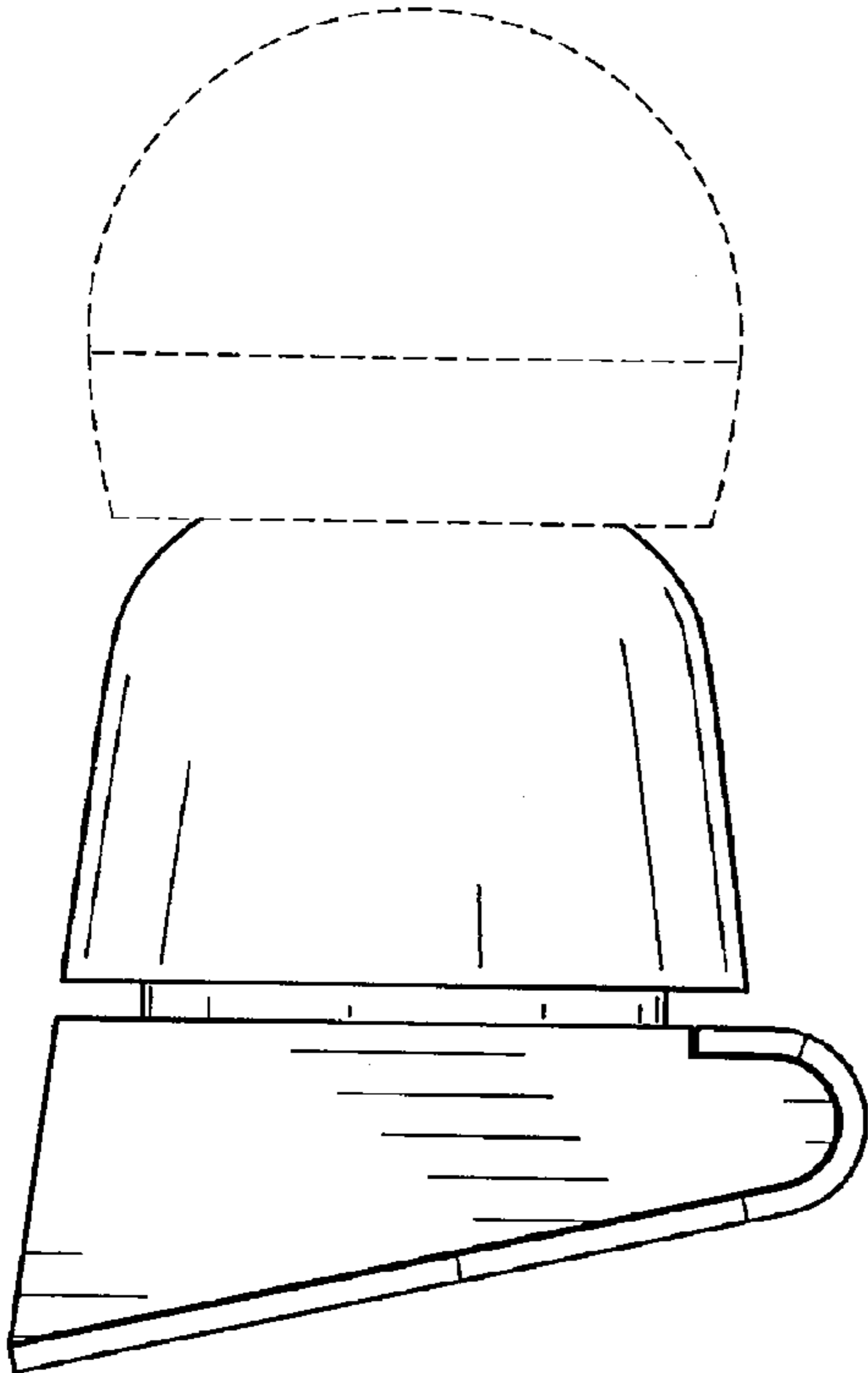


FIG. 2

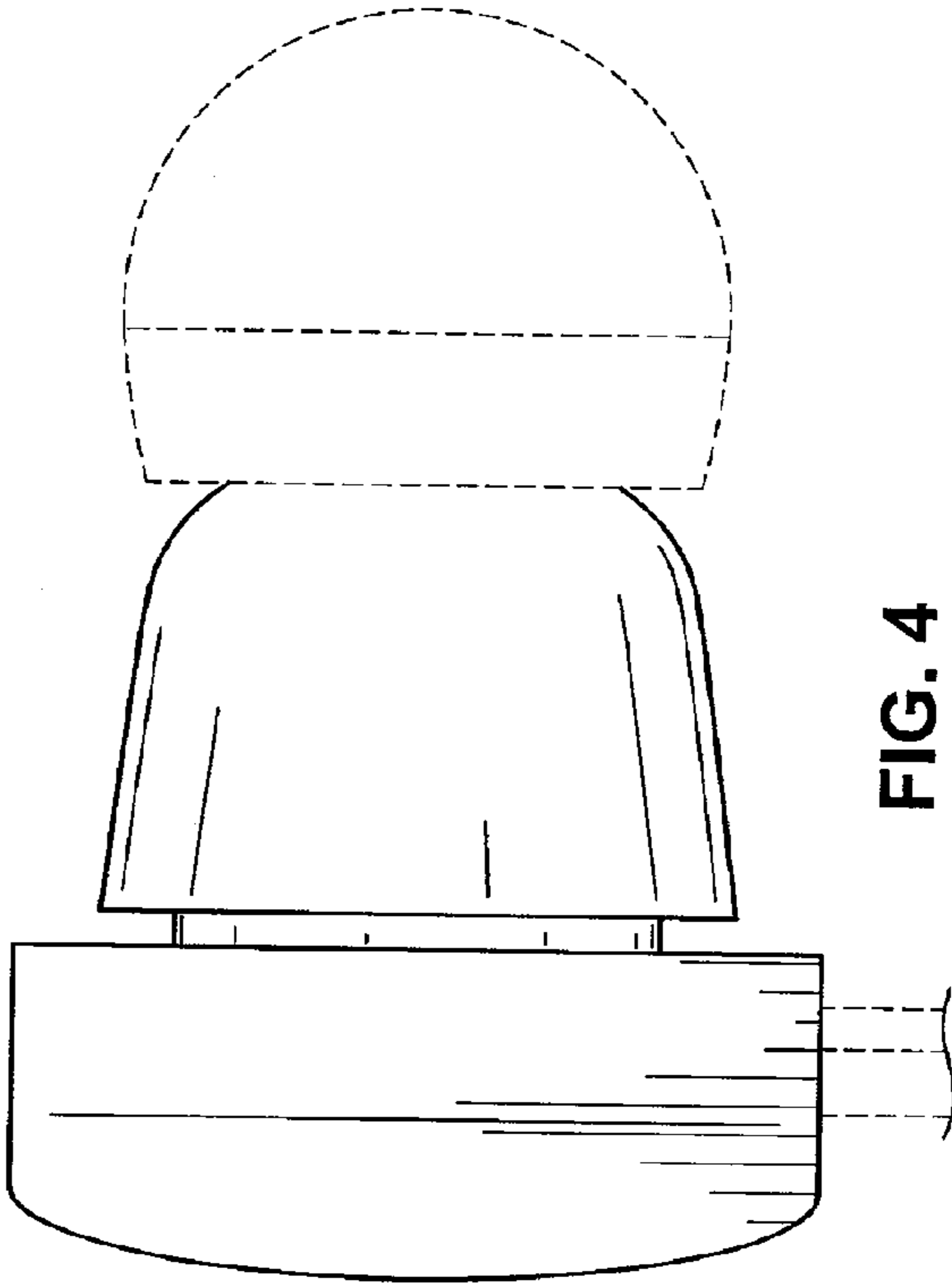


FIG. 4

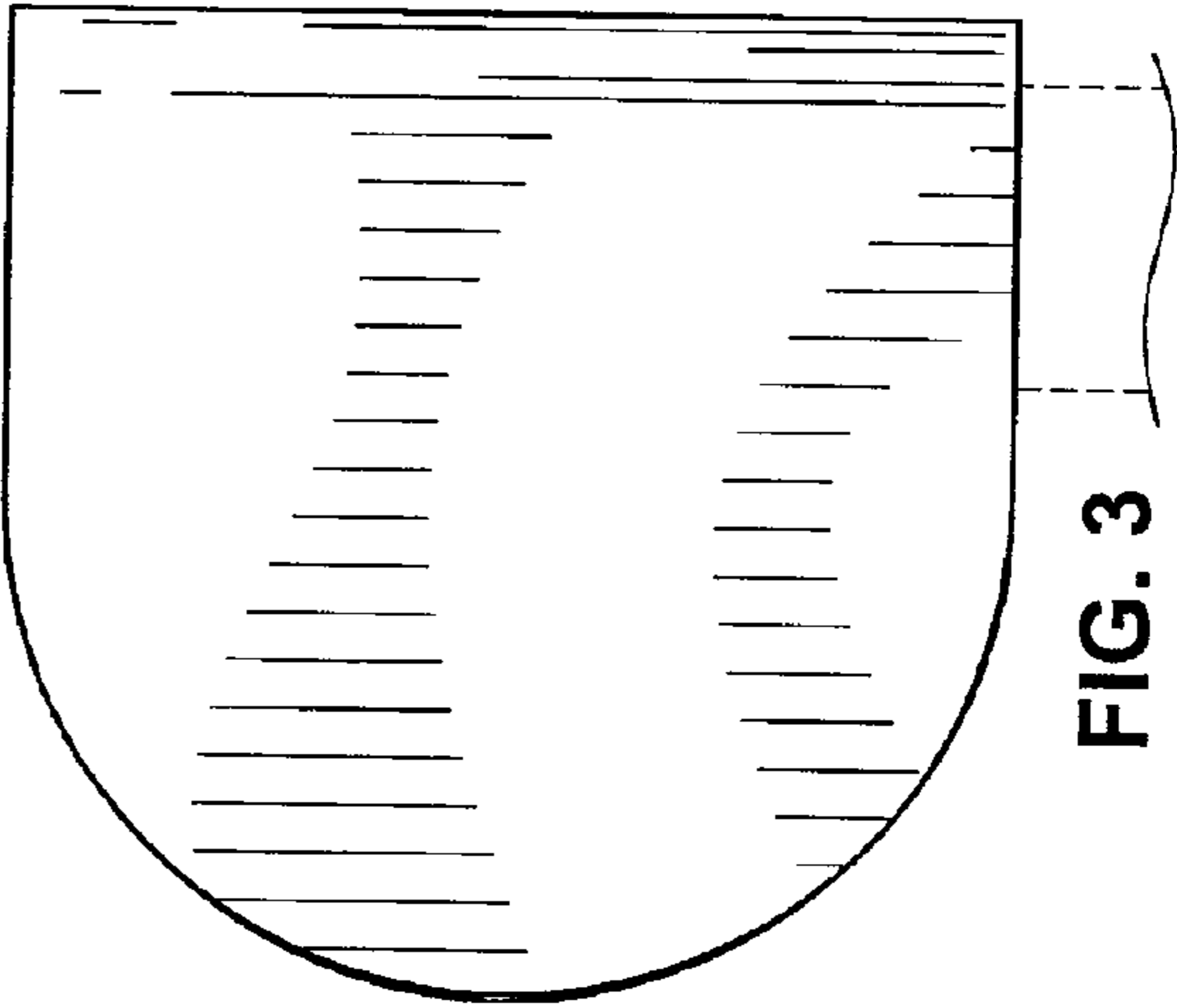


FIG. 3

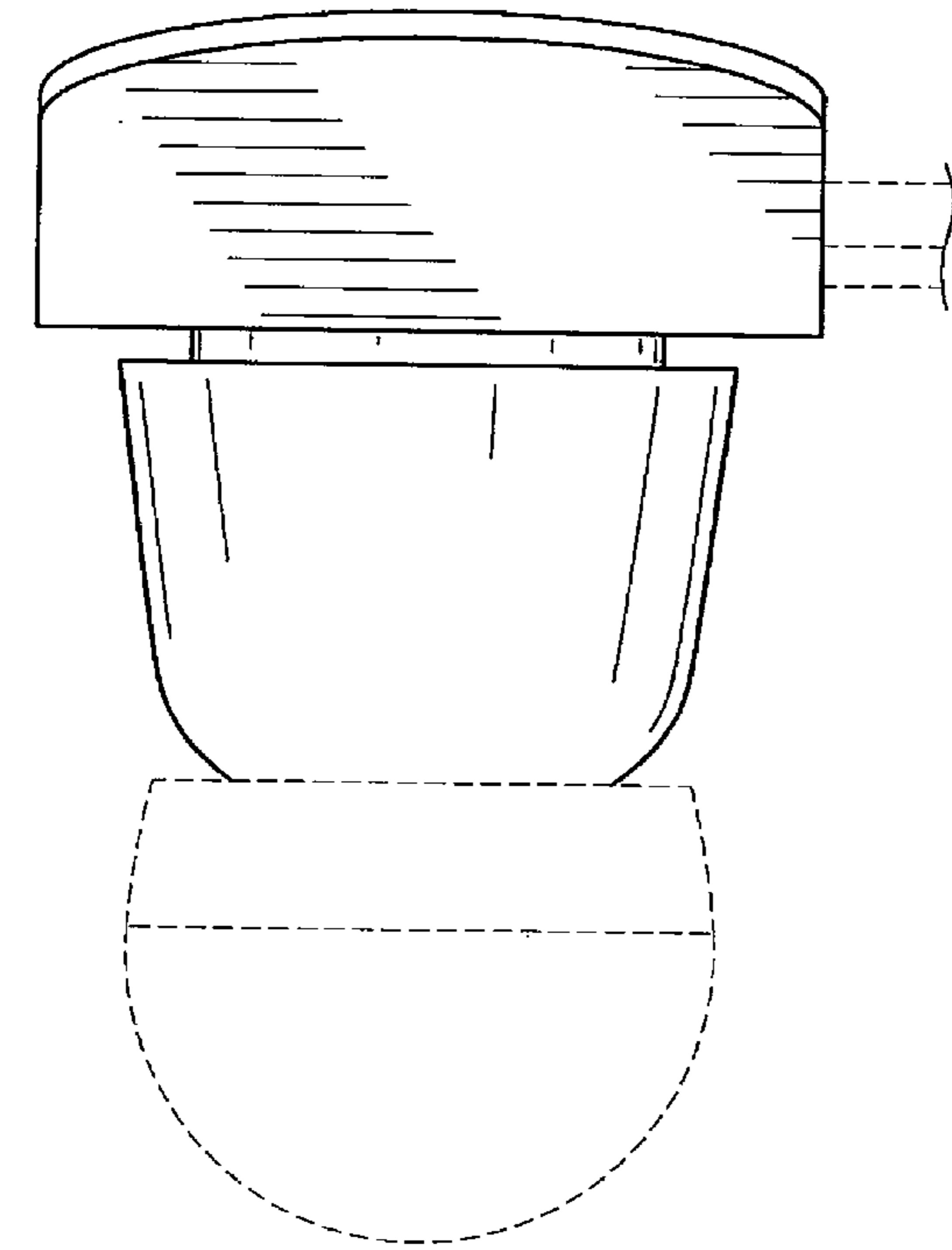


FIG. 6

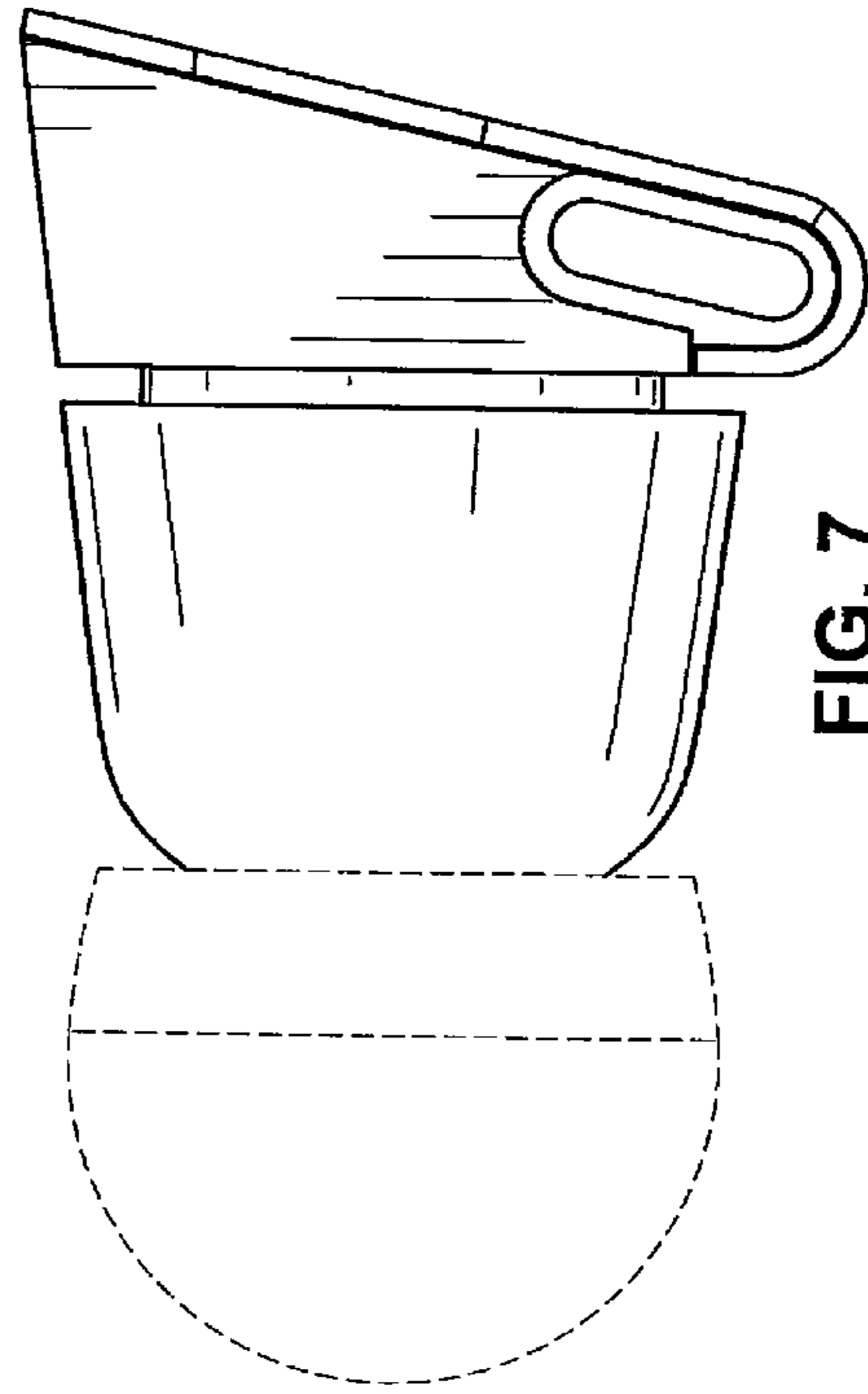


FIG. 7

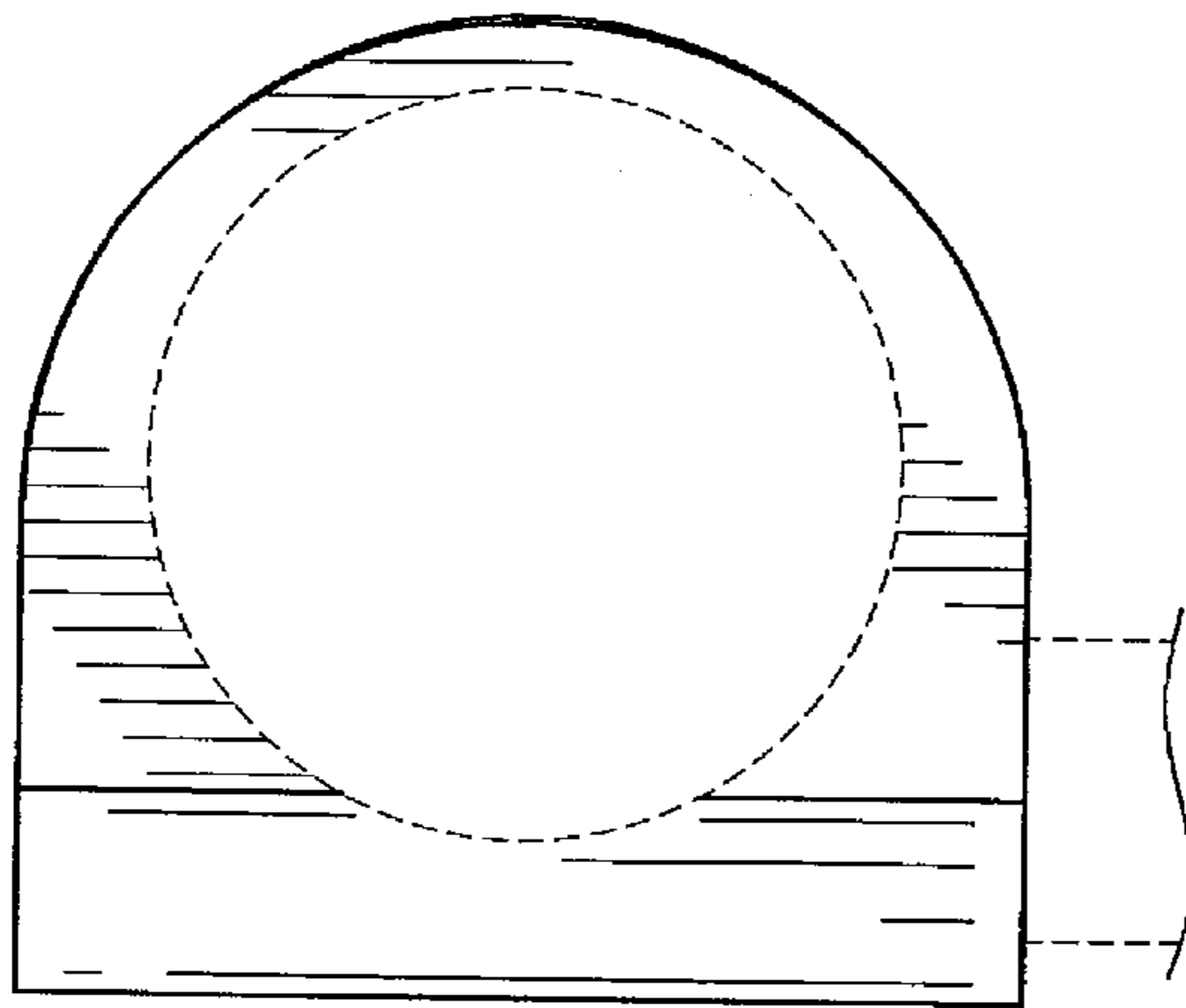


FIG. 5

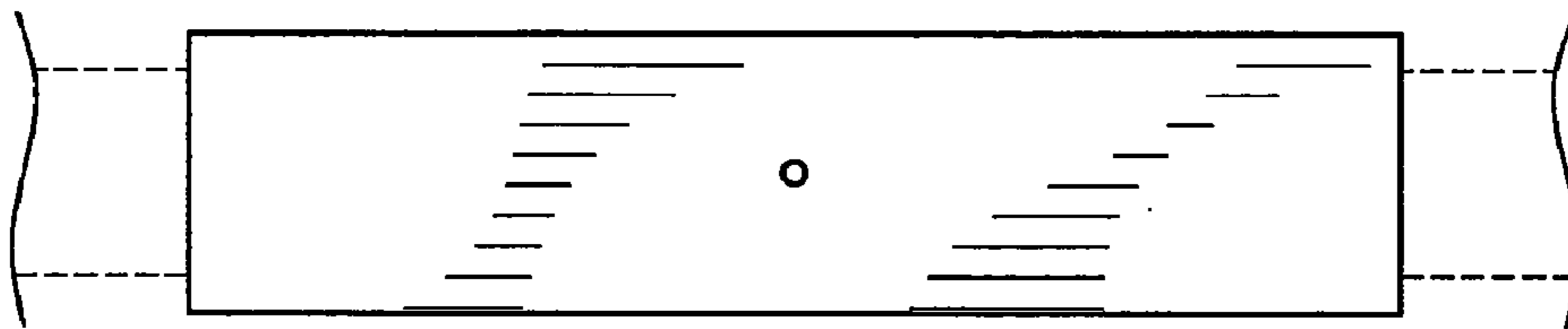


FIG. 8

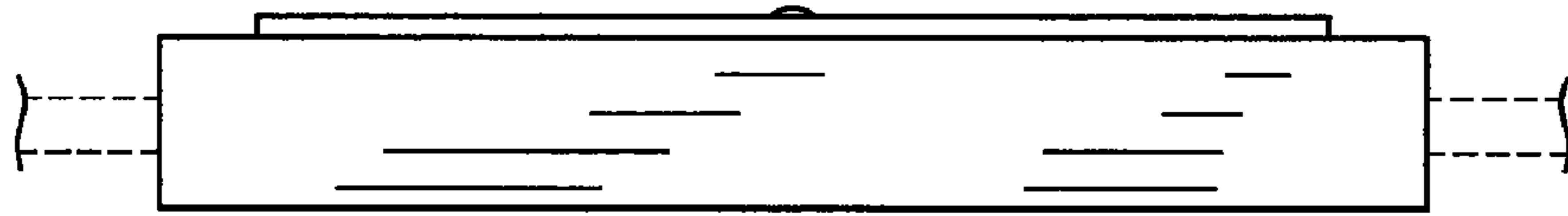


FIG. 9

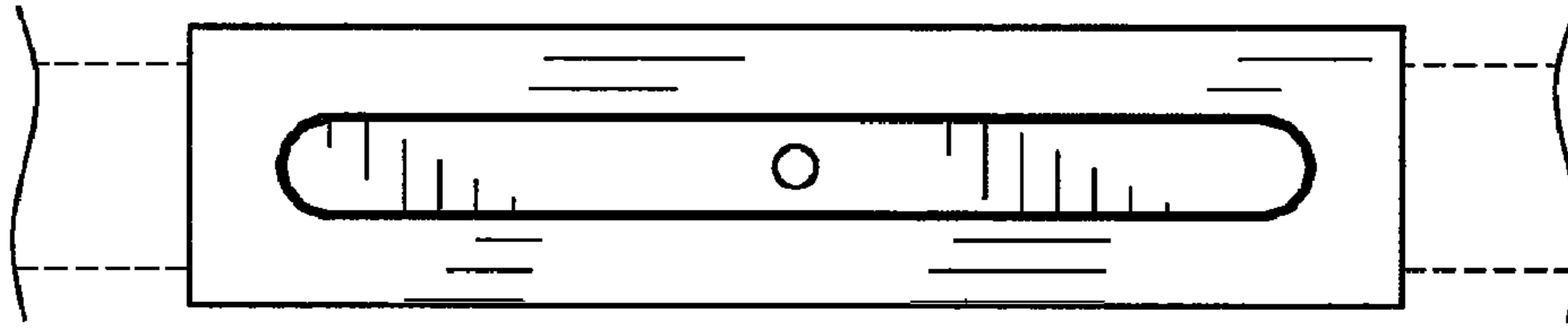


FIG. 10

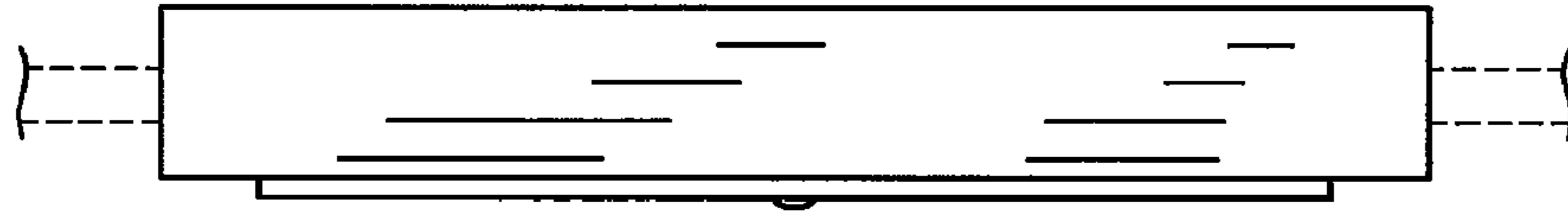


FIG. 11



FIG. 12

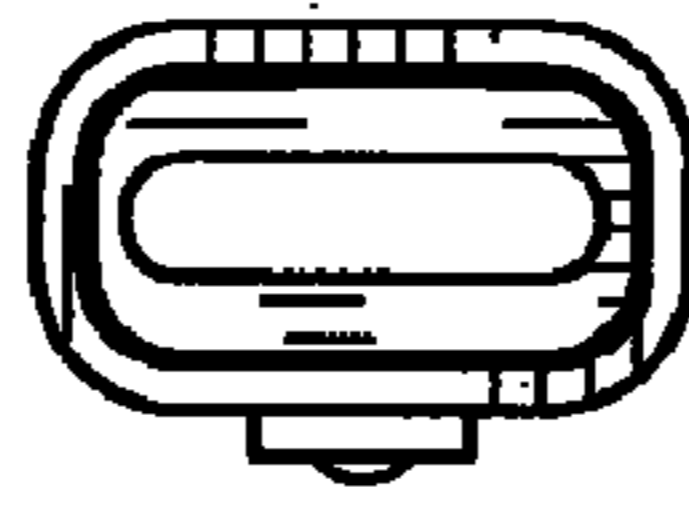


FIG. 13

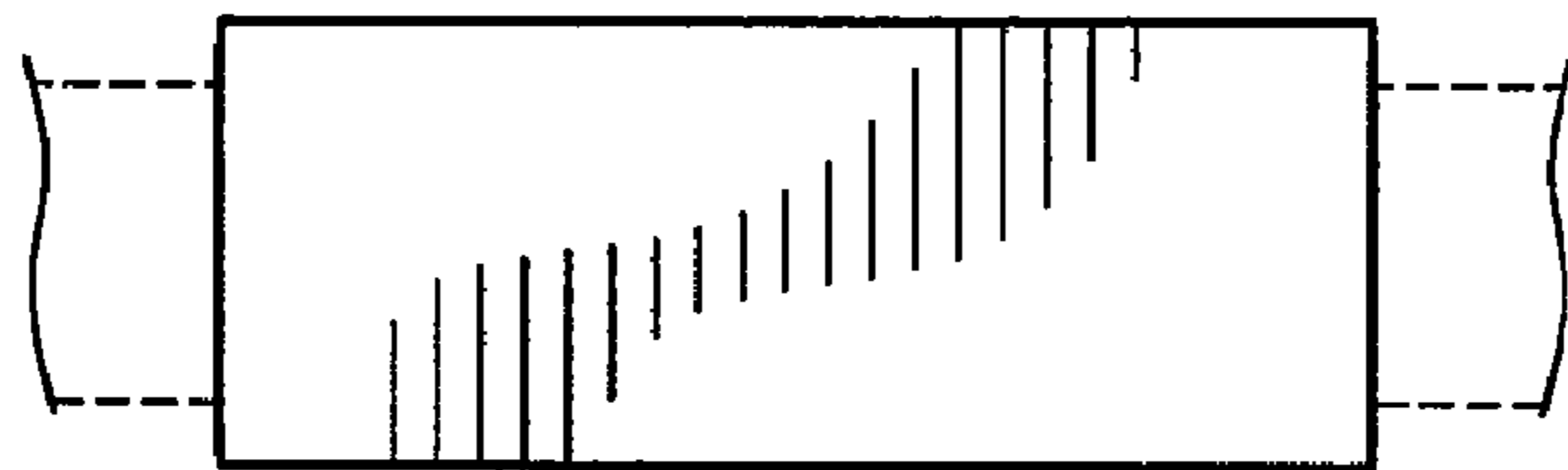


FIG. 14

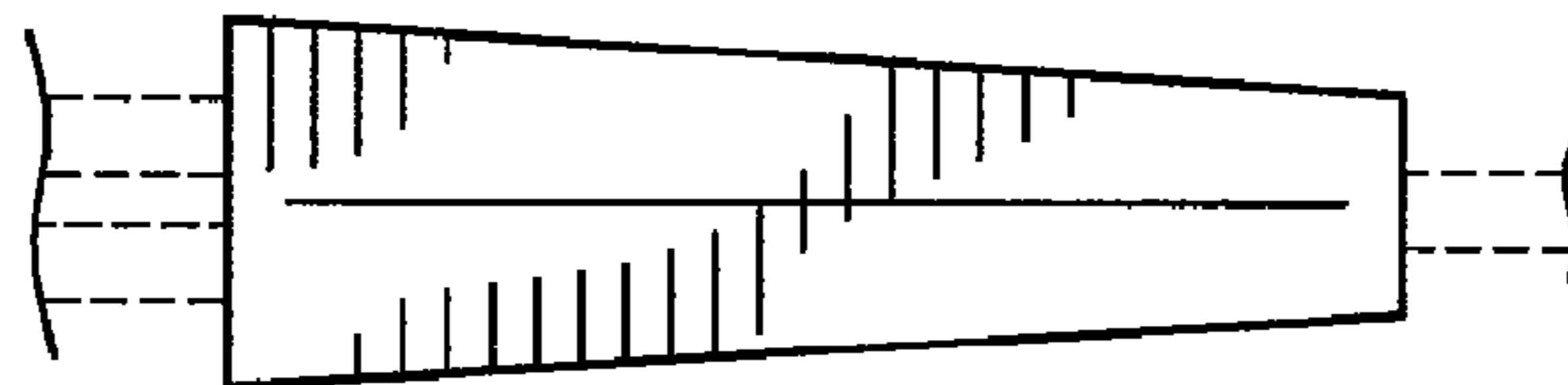


FIG. 15

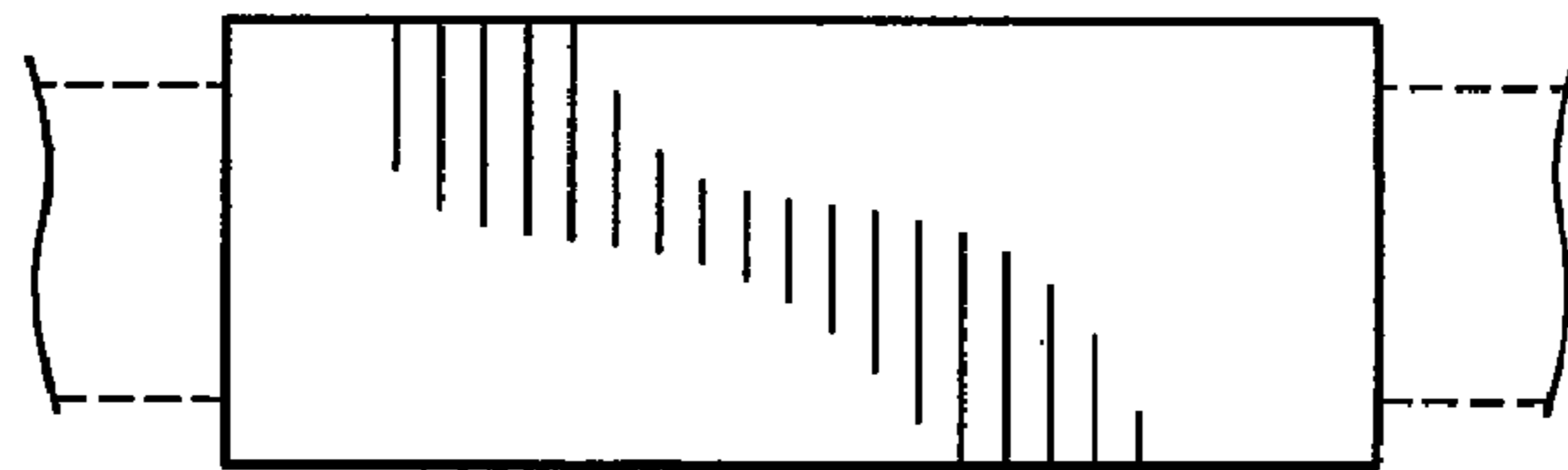


FIG. 16

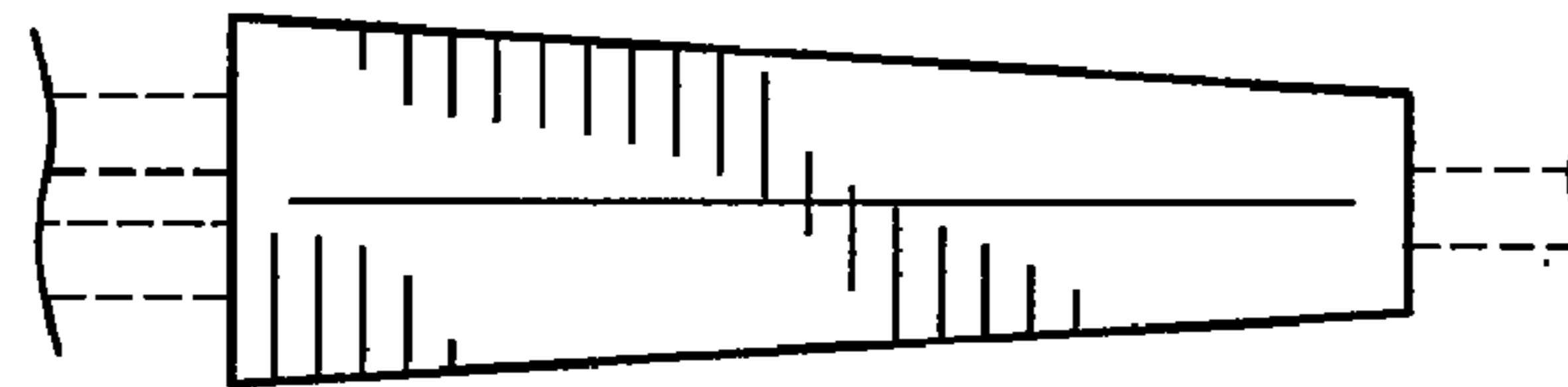


FIG. 17

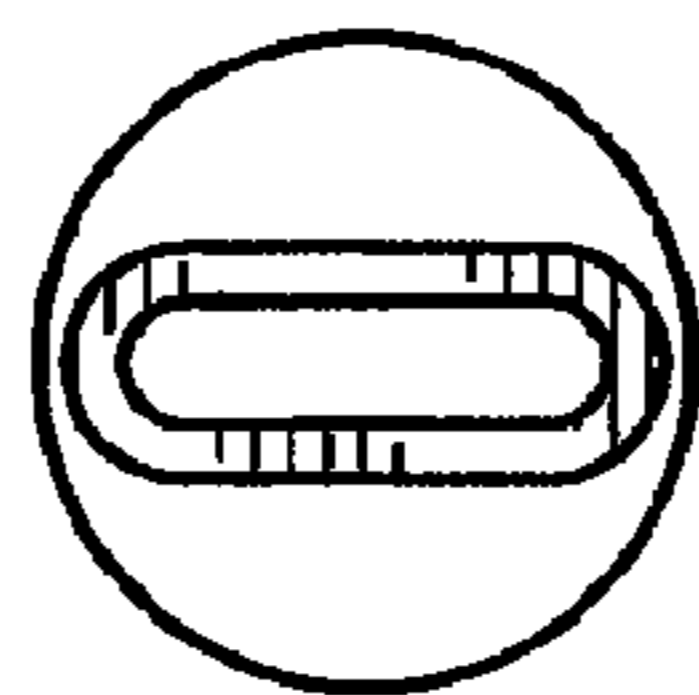


FIG. 18

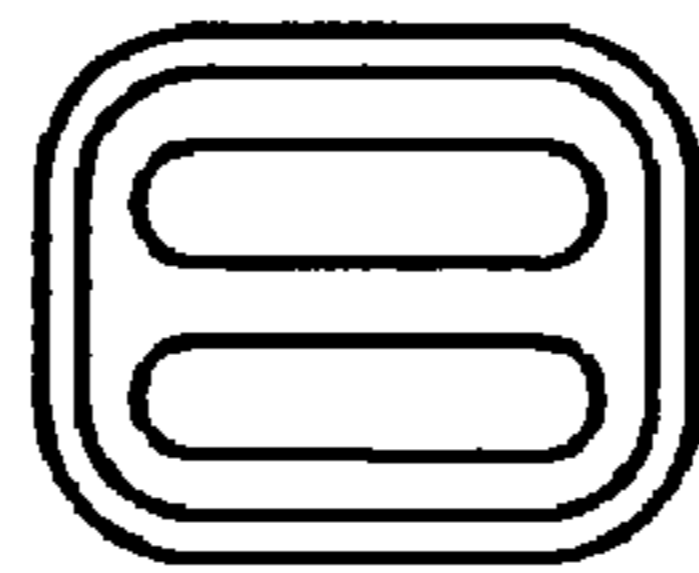


FIG. 19