

US00D637993S

(12) **United States Design Patent**
Yamamoto

(10) **Patent No.:** **US D637,993 S**

(45) **Date of Patent:** **** *May 17, 2011**

(54) **DISK PLAYER**

(75) Inventor: **Hiroshi Yamamoto**, Yokohama (JP)

(73) Assignee: **Victor Company of Japan, Limited**,
Yokohama-shi, Kanagawa (JP)

(**) Term: **14 Years**

(21) Appl. No.: **29/347,583**

(22) Filed: **Mar. 8, 2010**

(30) **Foreign Application Priority Data**

Sep. 28, 2009 (JP) D2009-022317

(51) **LOC (9) Cl.** **14-01**

(52) **U.S. Cl.** **D14/157**

(58) **Field of Classification Search** D14/496,
D14/498-505, 137, 157, 168, 188, 197-198,
D14/257-258; 360/99.02, 99.07; 369/75.11,
369/75.21, 77.11, 77.21; 720/601, 612, 619,
720/647, 649, 655; 455/344, 347-351

See application file for complete search history.

(56) **References Cited**

U.S. PATENT DOCUMENTS

5,848,042 A * 12/1998 Takahashi et al. 720/647
D563,922 S * 3/2008 Shiono D14/505
D572,231 S * 7/2008 Endo et al. D14/157
D582,911 S * 12/2008 Kimura et al. D14/258
D602,928 S * 10/2009 Kimura et al. D14/258

FOREIGN PATENT DOCUMENTS

JP 1363003 S 6/2009

OTHER PUBLICATIONS

Notification of Reasons for Refusal issued Jan. 5, 2010, in corresponding Japanese Application No. 2009-022317, two (2) pages (cited in order to disclose Japan Patent Office's citation of ornamental features against a corresponding Japanese application).

Decision to Refuse a Patent issued Dec. 3, 2010, in corresponding Japanese Application No. 2009-022317, two (2) pages (cited in order to disclose Japan Patent Office's citation of ornamental features against a corresponding Japanese application).

* cited by examiner

Primary Examiner — Nanda Bondade

(74) *Attorney, Agent, or Firm* — The Nath Law Group;
Jerald L. Meyer; Derek Richmond

(57) **CLAIM**

The ornamental design for a disk player, as shown and described.

DESCRIPTION

FIG. 1 is a perspective view of a disk player;

FIG. 2 is a front view thereof;

FIG. 3 is a top plan view thereof;

FIG. 4 is a bottom plan view thereof;

FIG. 5 is a right side view thereof; and,

FIG. 6 is a left side view thereof.

The broken line showing on the drawing disclosure is for illustrative purposes only and forms no part of the claimed design.

1 Claim, 6 Drawing Sheets

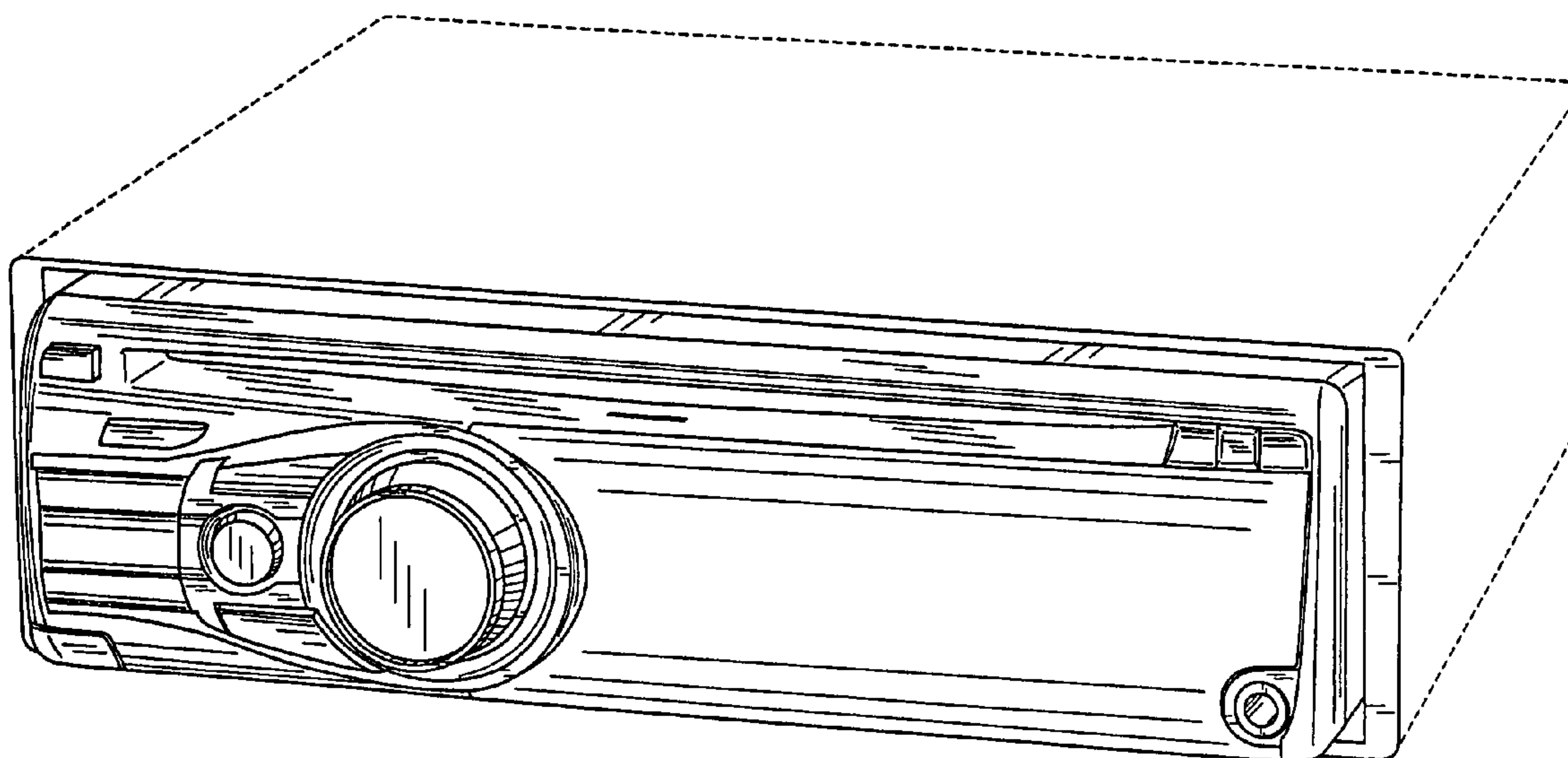


Fig.1

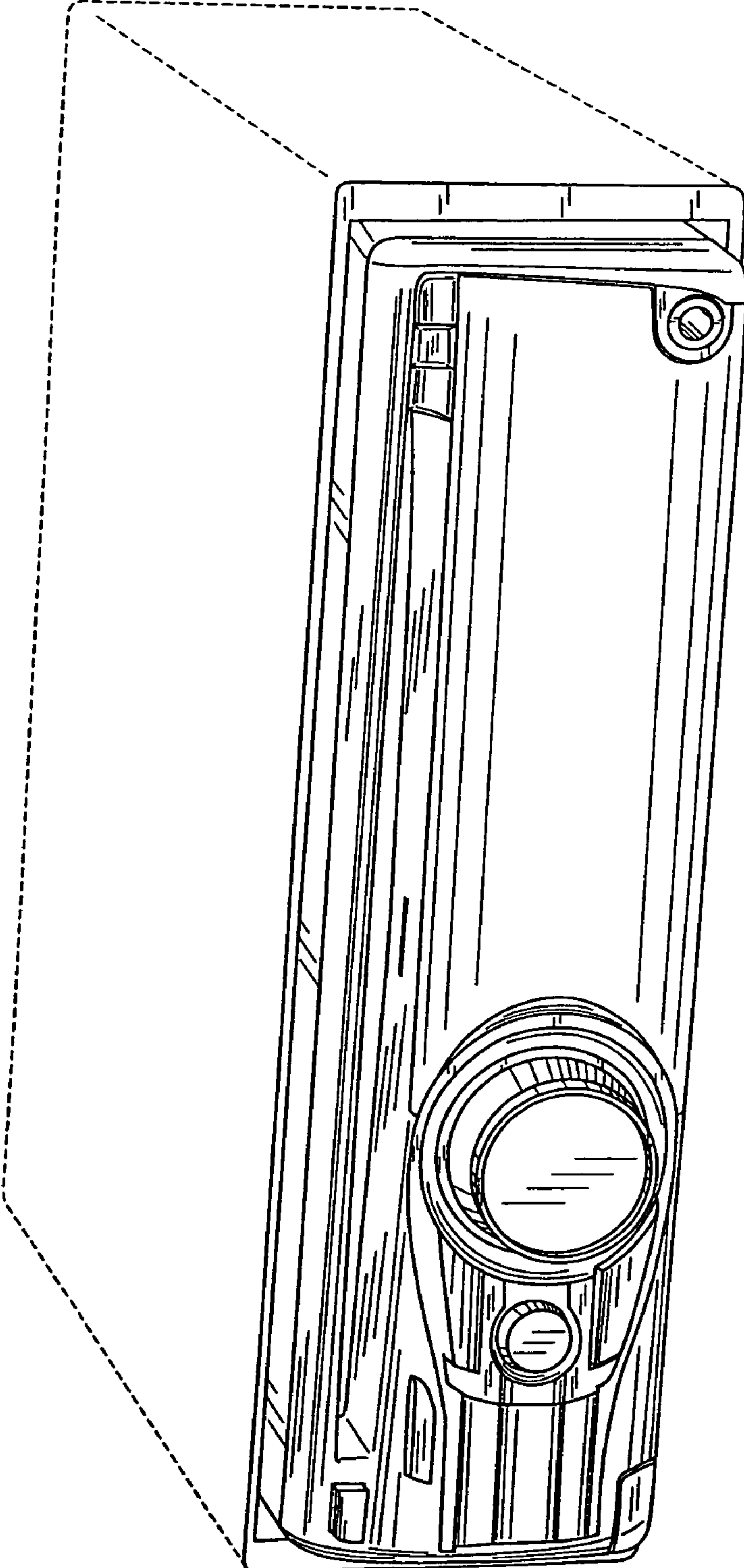


Fig. 2

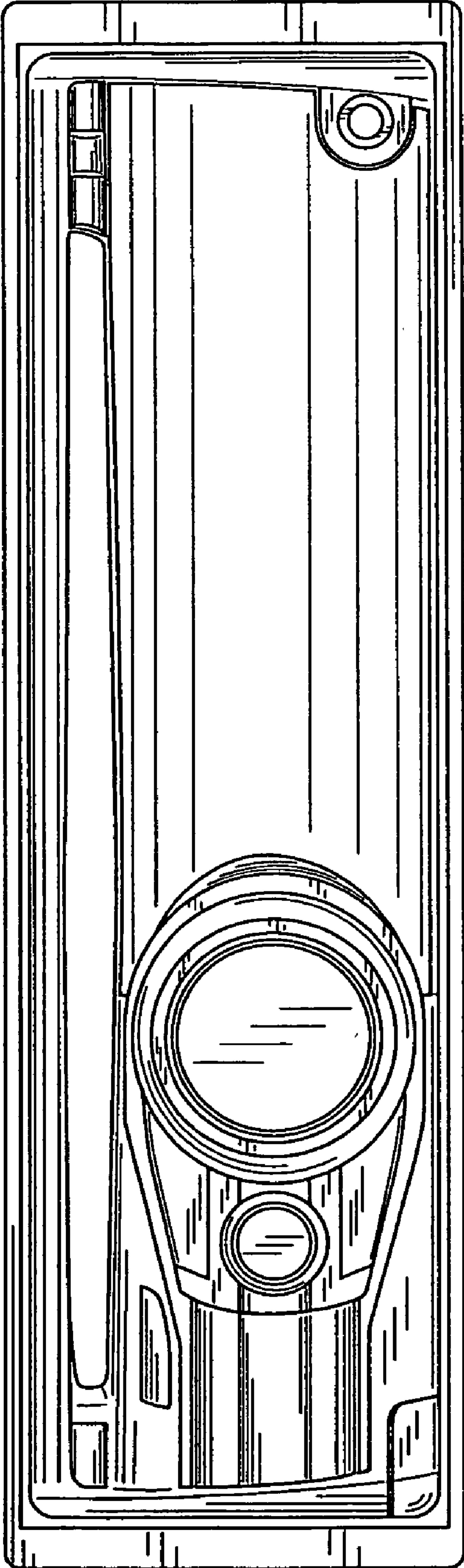


Fig.3

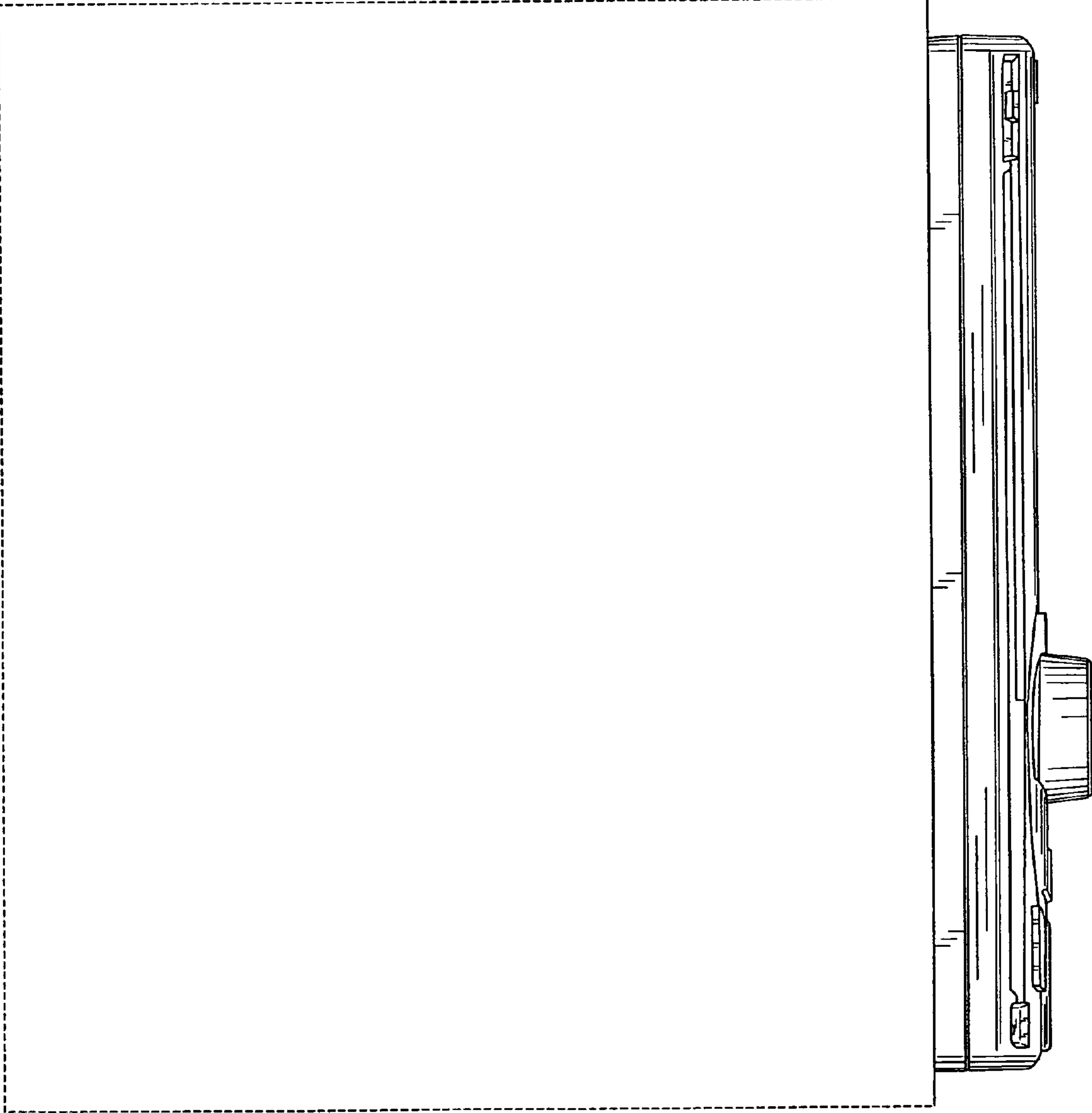


Fig.4

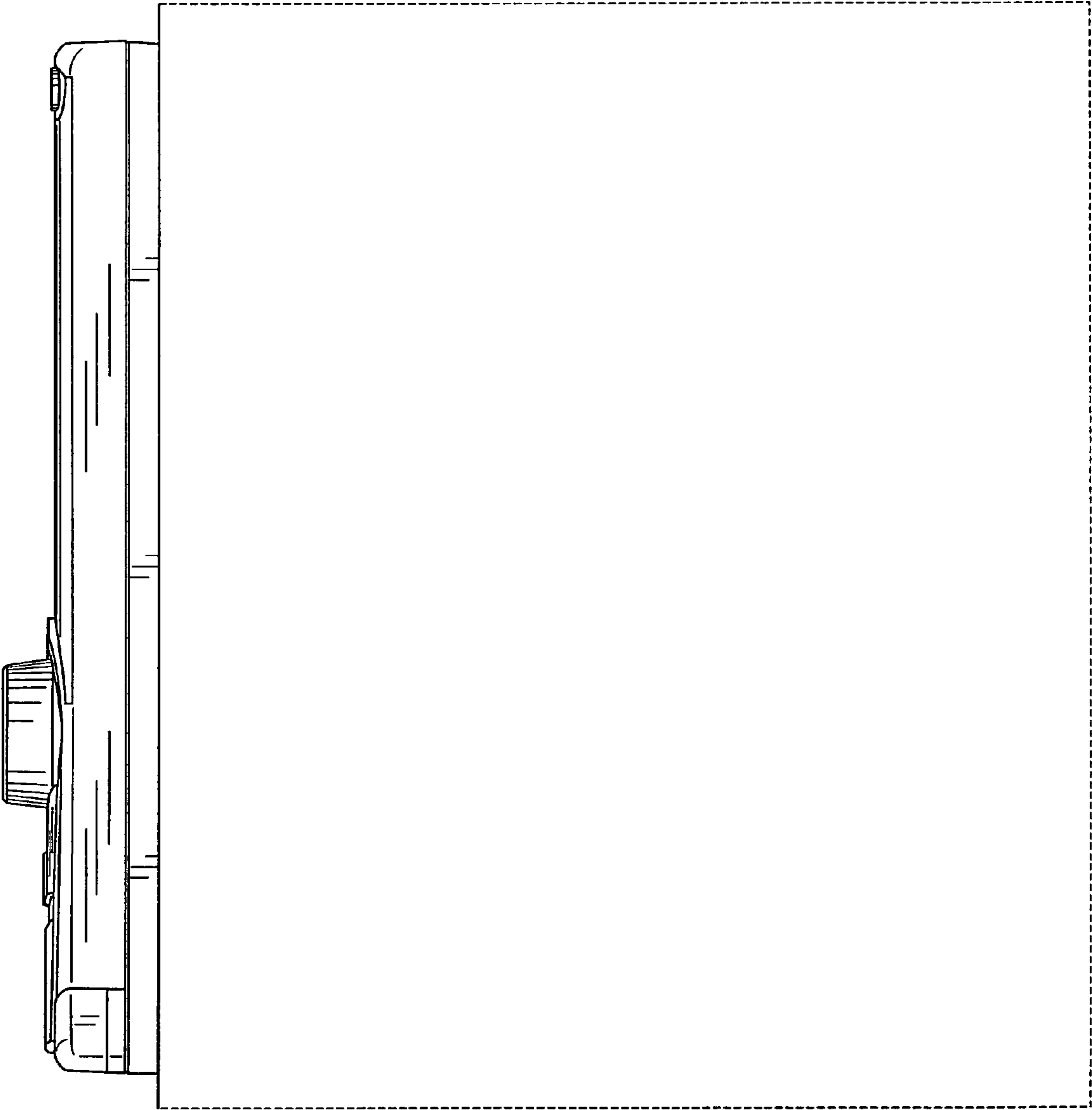


Fig. 5

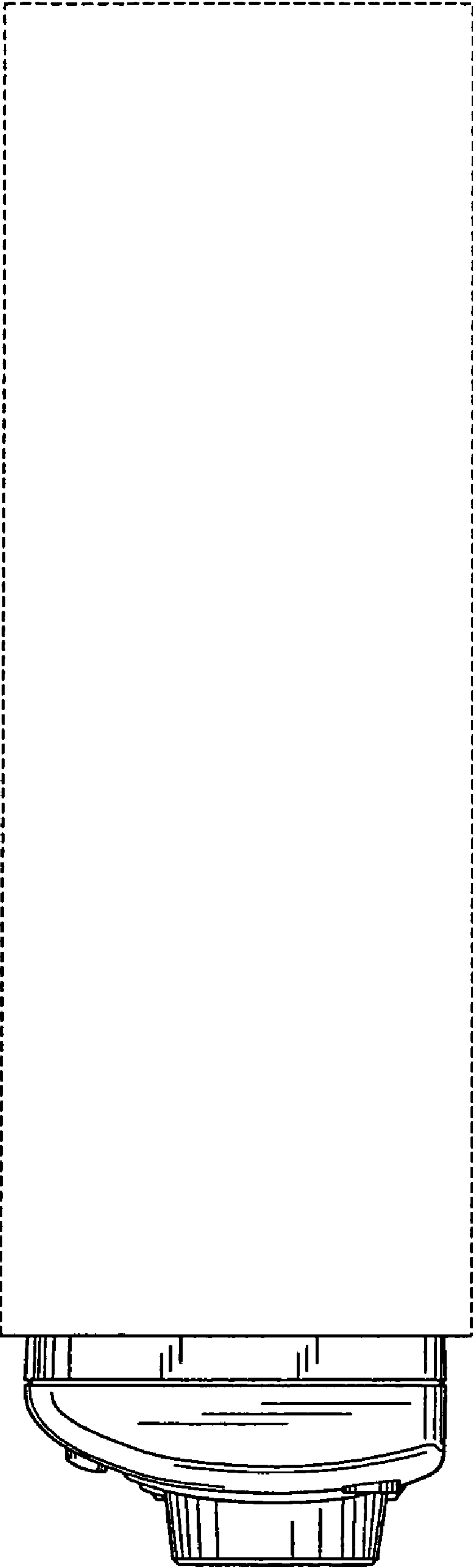


Fig. 6

