



US00D637983S

(12) **United States Design Patent**  
**Kim et al.**

(10) **Patent No.:** **US D637,983 S**

(45) **Date of Patent:** **\*\* May 17, 2011**

(54) **HOME THEATER RECEIVER**

(56) **References Cited**

(75) Inventors: **Yeon Jin Kim**, Seoul (KR); **Sa Yoon Hong**, Seoul (KR); **Kyong Tae Han**, Gyeonggi-do (KR); **Kwang Ho Choi**, Seoul (KR); **Hee Su Yang**, Seoul (KR)

U.S. PATENT DOCUMENTS

D535,651 S *	1/2007	Wong et al.	D14/240
D556,199 S *	11/2007	Song	D14/357
D563,334 S *	3/2008	Wang	D14/125
D598,436 S *	8/2009	Tseng	D14/240
D598,449 S *	8/2009	Landry et al.	D14/358
D611,462 S *	3/2010	McGuire	D14/240

(73) Assignee: **LG Electronics, Inc.**, Seoul (KR)

\* cited by examiner

(\*\*) Term: **14 Years**

*Primary Examiner* — Raphael Barkai  
*Assistant Examiner* — Randall Gholson

(21) Appl. No.: **29/364,755**

(74) *Attorney, Agent, or Firm* — Morgan, Lewis & Bockius LLP

(22) Filed: **Jun. 28, 2010**

(57) **CLAIM**

The ornamental design for a home theater receiver, as shown and described.

(30) **Foreign Application Priority Data**

**DESCRIPTION**

Dec. 30, 2009 (KR) ..... 30-2009-0057690

(51) **LOC (9) Cl.** ..... **14-03**

(52) **U.S. Cl.** ..... **D14/125**

(58) **Field of Classification Search** ..... D14/125,  
D14/357-358, 496, 188, 242, 432; D13/184;  
348/10, 460, 706, 731; 340/825.03; 455/6.1,  
455/6.2; 312/223.1, 7.2

FIG. 1 is a top, front, perspective view of a home theater receiver showing our new design;  
FIG. 2 is a front view thereof;  
FIG. 3 is a rear view thereof;  
FIG. 4 is a left side view thereof;  
FIG. 5 is a right side view thereof;  
FIG. 6 is a top view thereof; and,  
FIG. 7 is a bottom view thereof.

See application file for complete search history.

**1 Claim, 4 Drawing Sheets**

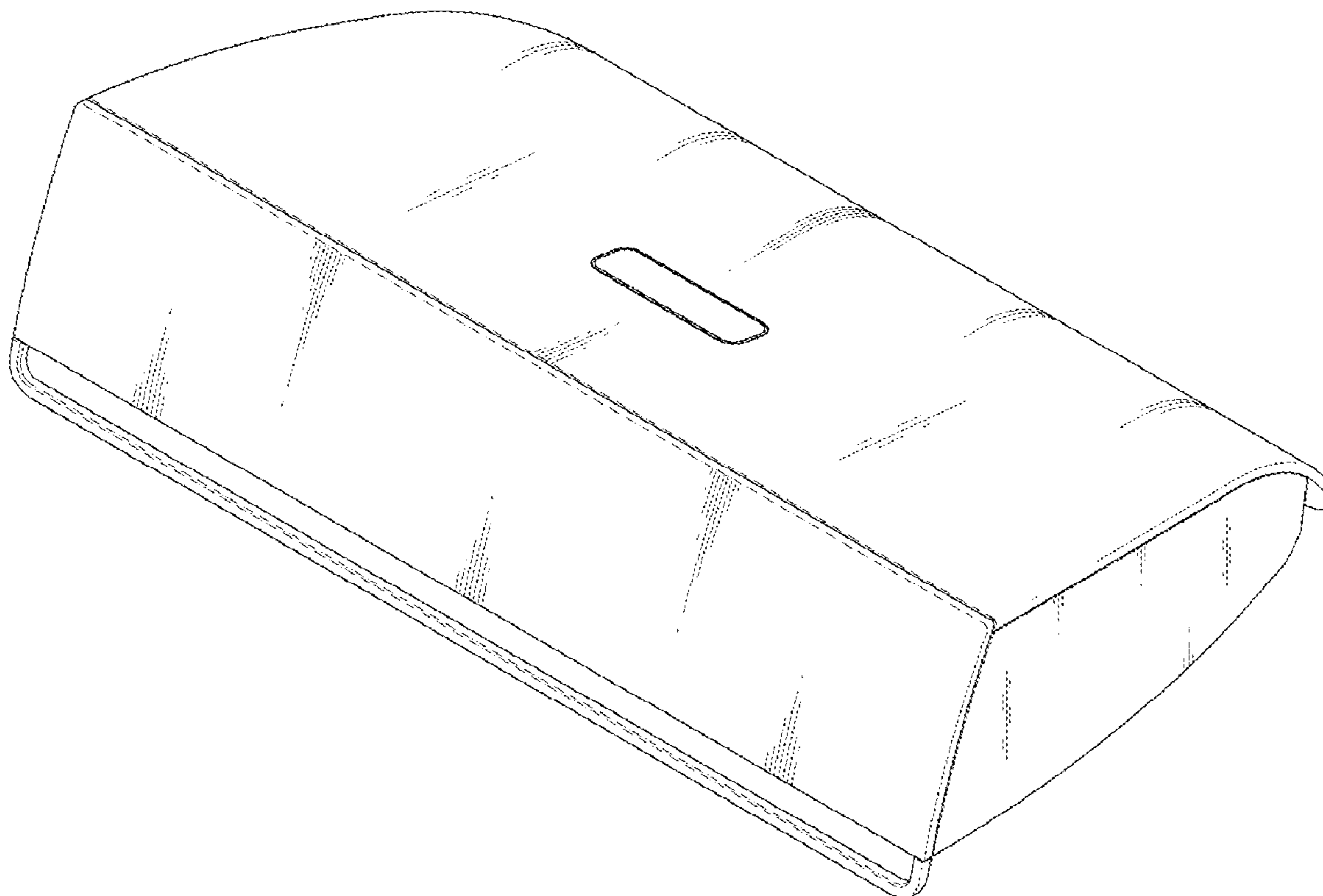


FIG. 1

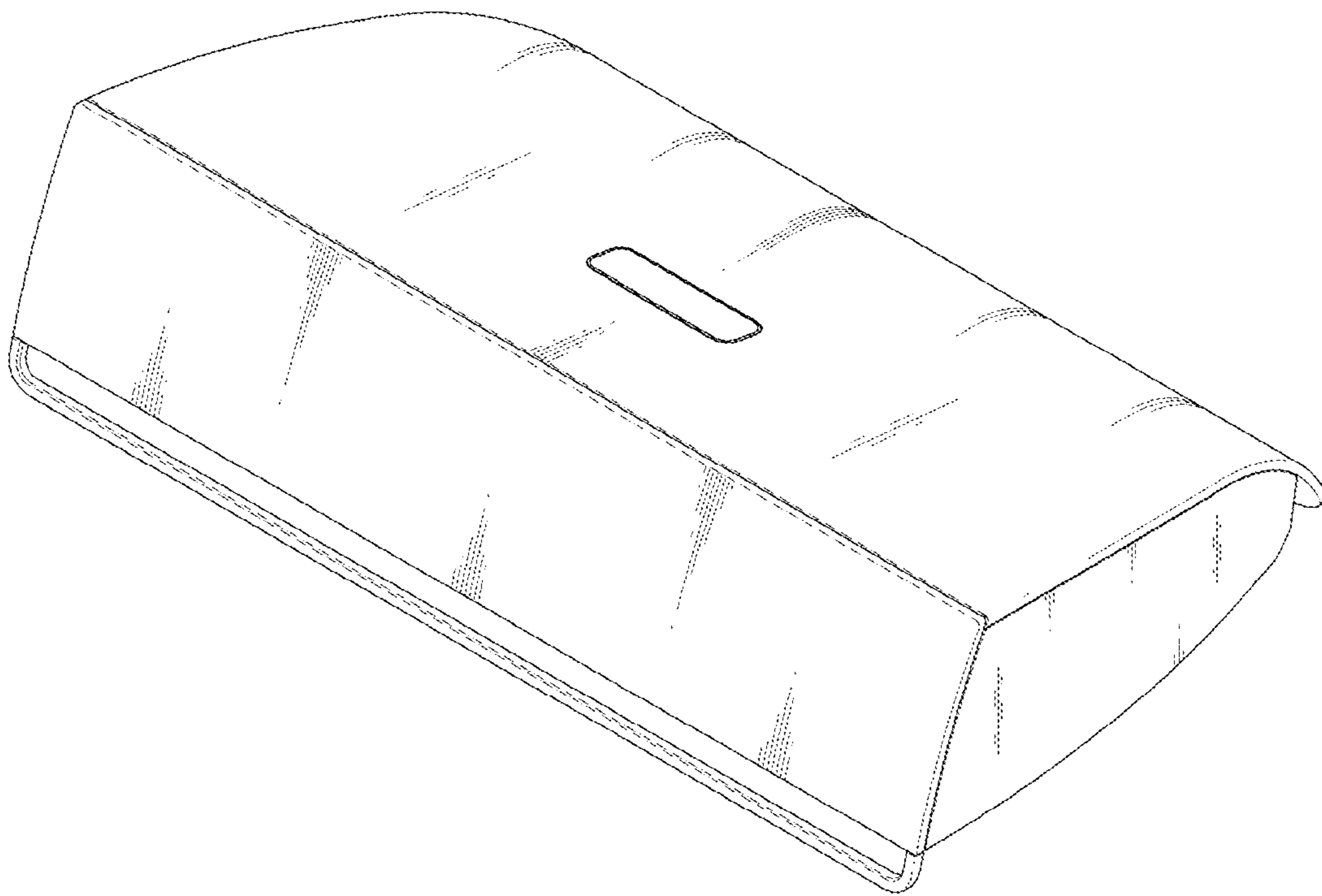


FIG. 2

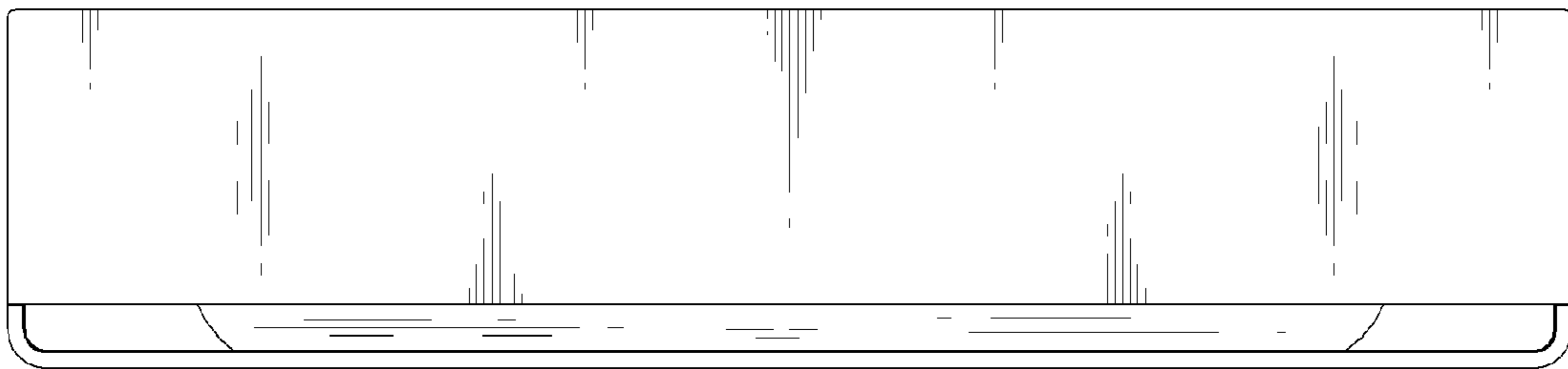


FIG. 3

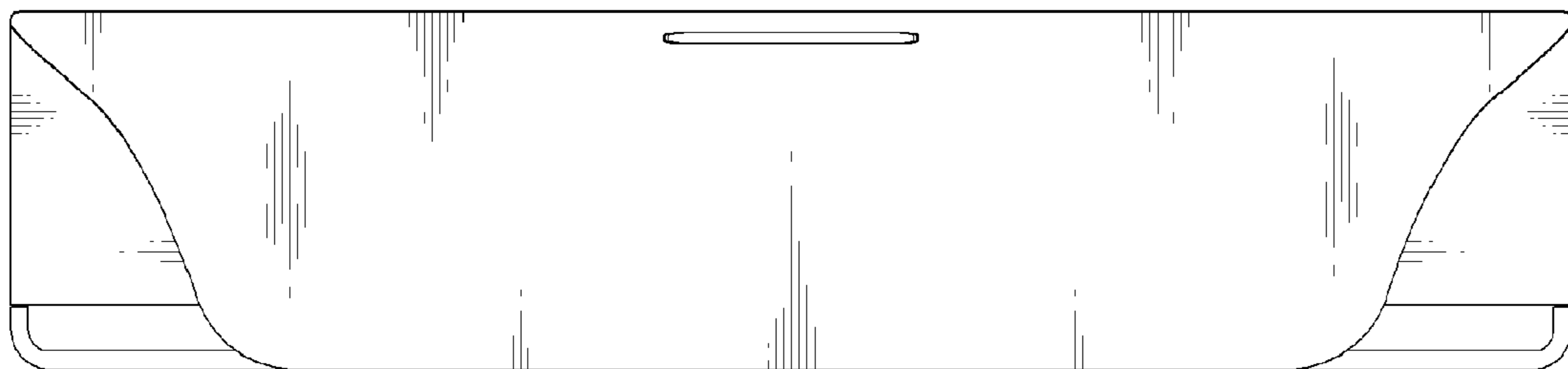


FIG. 4

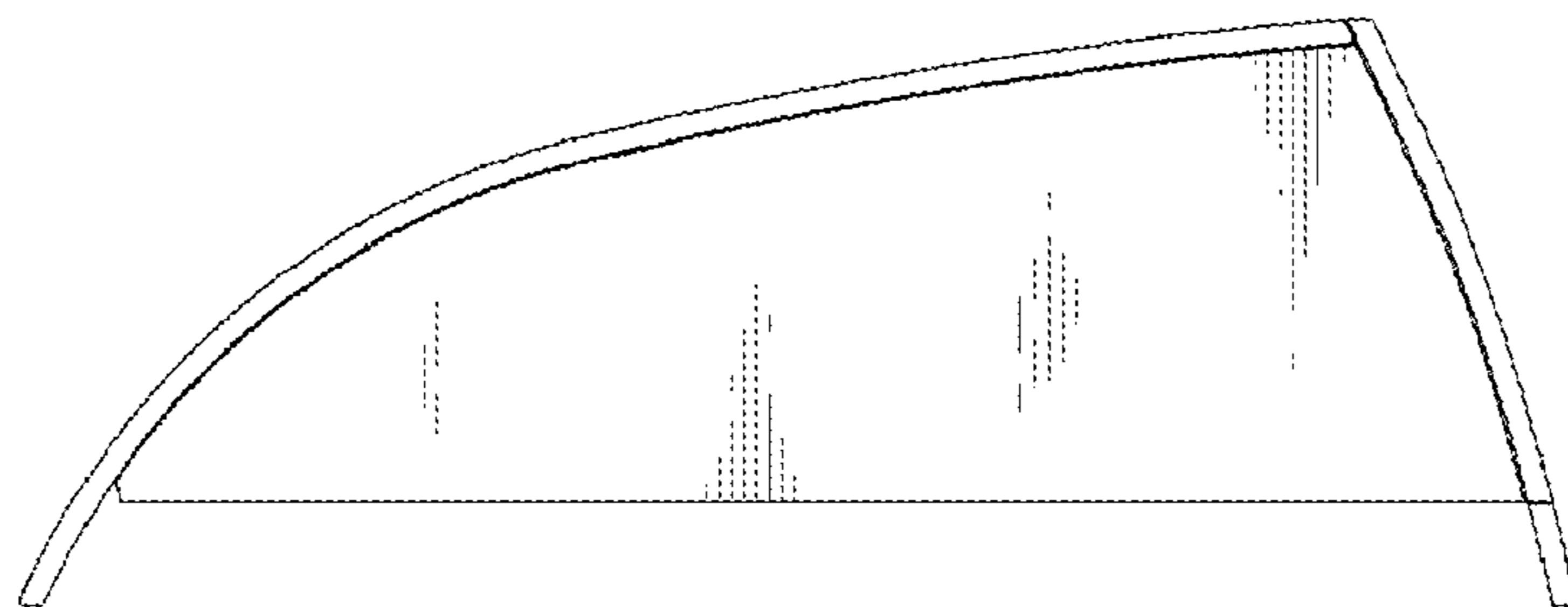


FIG. 5

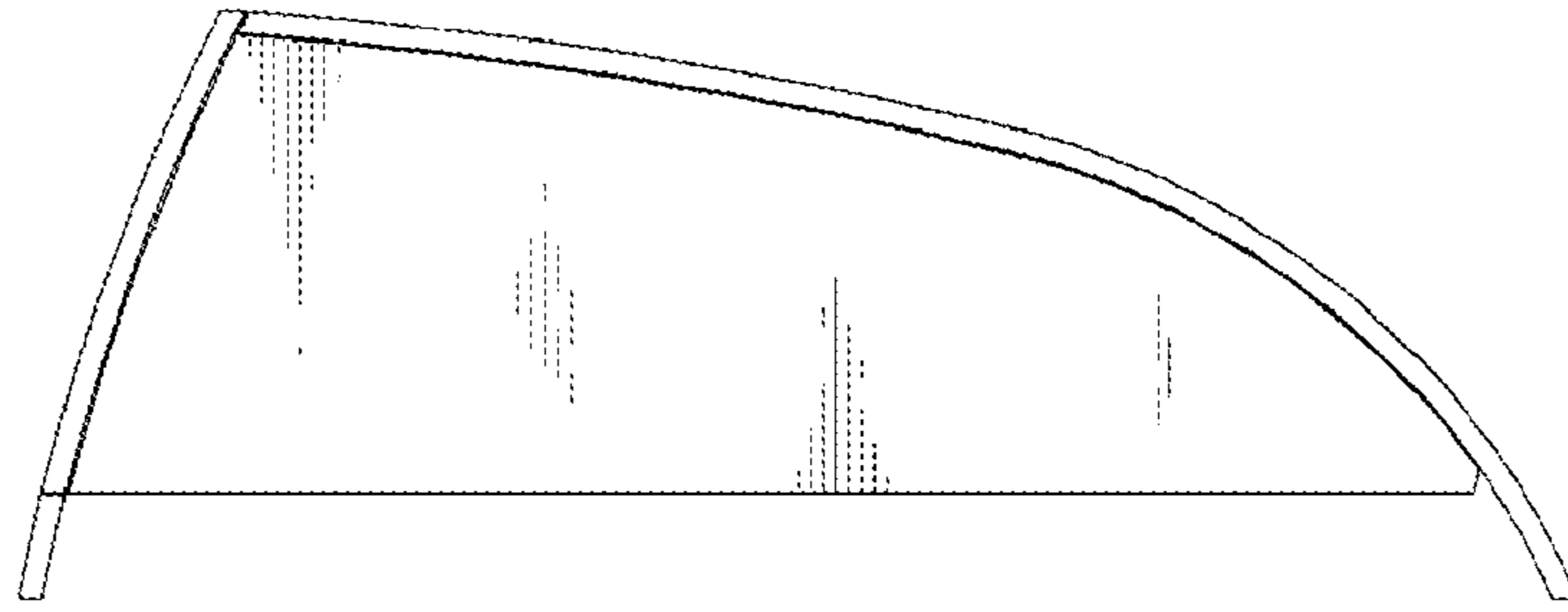


FIG. 6

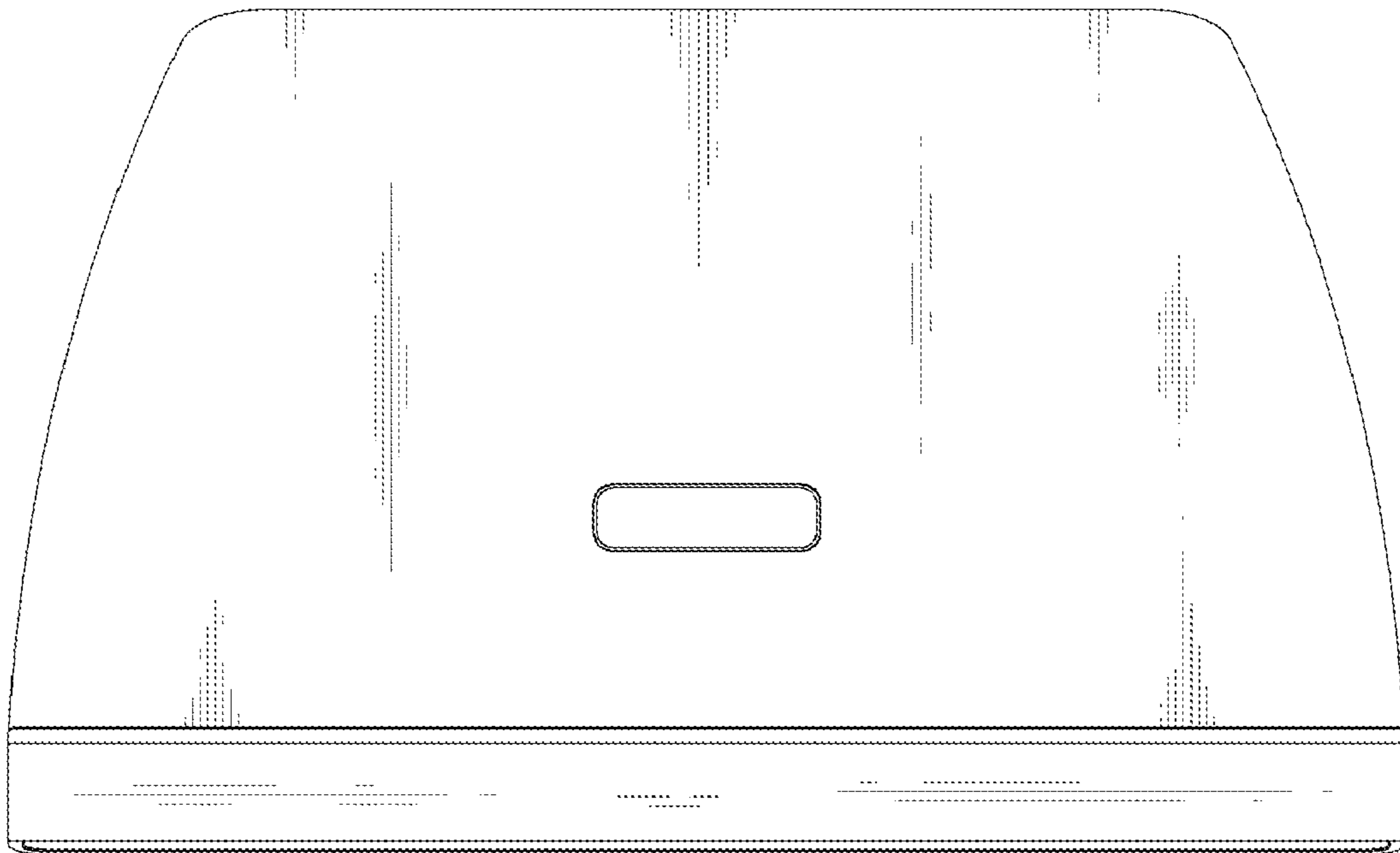


FIG. 7

