



US00D637981S

(12) **United States Design Patent**  
**Ko et al.**

(10) **Patent No.:** **US D637,981 S**

(45) **Date of Patent:** **\*\* \*May 17, 2011**

(54) **LEAD FRAME**

(75) Inventors: **Bo-Yu Ko**, Hsinchu (TW); **Ya-Hsien Chang**, Hsinchu (TW); **Chun-Wei Wang**, Hsinchu (TW)

(73) Assignee: **Lextar Electronics Corporation**, Hsinchu (TW)

(\*) Notice: This patent is subject to a terminal disclaimer.

(\*\*) Term: **14 Years**

(21) Appl. No.: **29/367,274**

(22) Filed: **Aug. 5, 2010**

(30) **Foreign Application Priority Data**

Feb. 5, 2010 (TW) ..... 99300558

(51) **LOC (9) Cl.** ..... **13-03**

(52) **U.S. Cl.** ..... **D13/180**

(58) **Field of Classification Search** ..... D13/180;  
D26/2; 257/79, 80, 81, 88, 89, 95, 98, 99,  
257/100, E33.058; 313/483, 498, 500; 362/555,  
362/800

See application file for complete search history.

(56) **References Cited**

**U.S. PATENT DOCUMENTS**

7,009,285 B2 \* 3/2006 Su et al. .... 257/680  
D529,452 S \* 10/2006 Kim et al. .... D13/180  
D530,684 S \* 10/2006 Tzeng ..... D13/180  
D531,141 S \* 10/2006 Tzeng ..... D13/180

D534,132 S \* 12/2006 Yoon ..... D13/180  
D570,799 S \* 6/2008 Lee et al. .... D13/180  
D595,673 S \* 7/2009 Hussell et al. .... D13/180  
D599,305 S \* 9/2009 Kim et al. .... D13/180  
D601,518 S \* 10/2009 Lee et al. .... D13/180  
D605,609 S \* 12/2009 Lee et al. .... D13/180  
D605,610 S \* 12/2009 Han et al. .... D13/180  
D606,032 S \* 12/2009 Lee et al. .... D13/180  
D608,307 S \* 1/2010 Hussell et al. .... D13/180  
7,701,050 B2 \* 4/2010 Chen et al. .... 257/693  
D622,231 S \* 8/2010 Sung ..... D13/180  
2005/0121688 A1 \* 6/2005 Nagai et al. .... 257/99  
2006/0023451 A1 \* 2/2006 Han et al. .... 362/249

\* cited by examiner

*Primary Examiner* — Selina Sikder

(74) *Attorney, Agent, or Firm* — Kirton & McConkie; Evan R. Witt

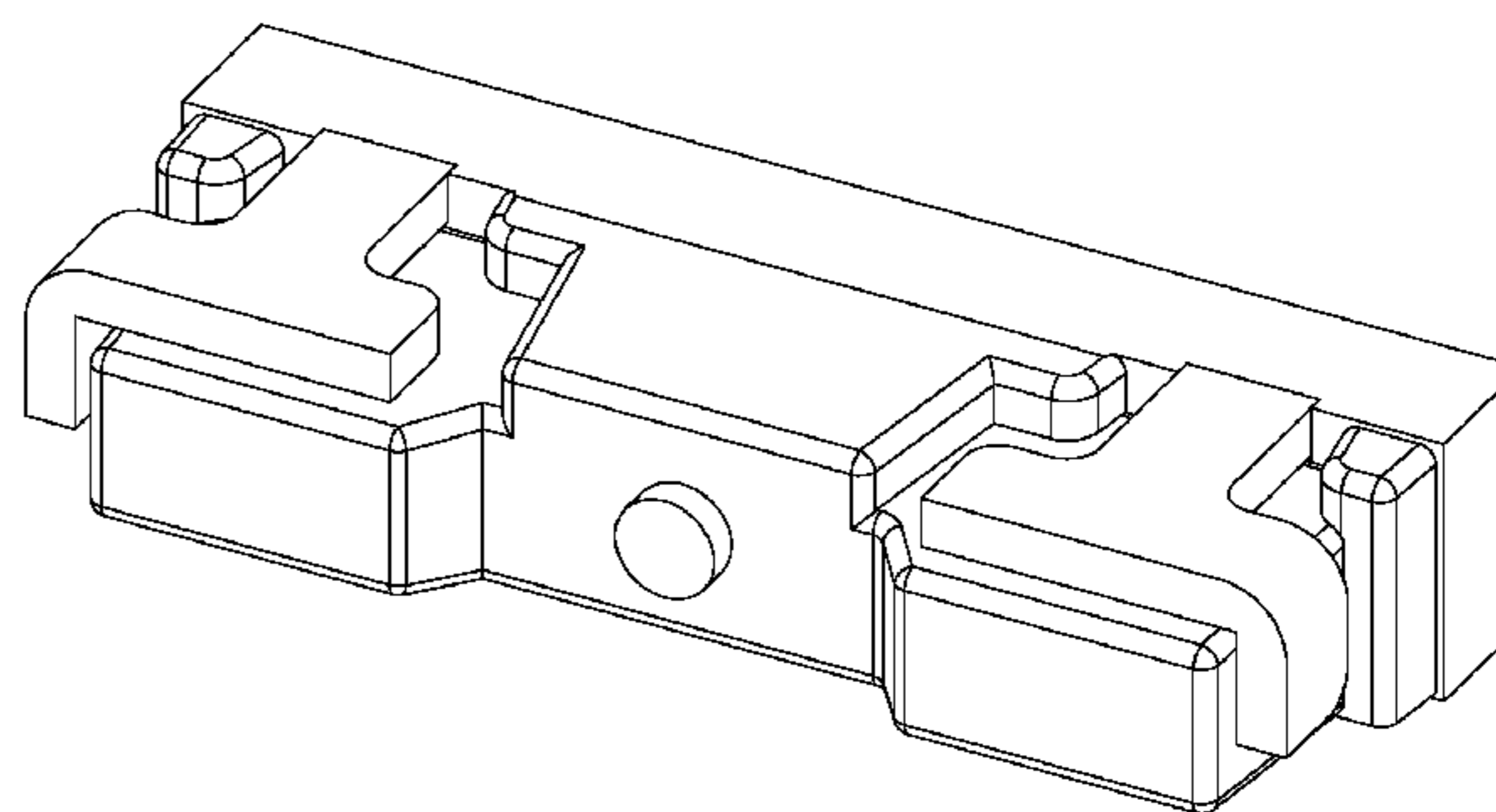
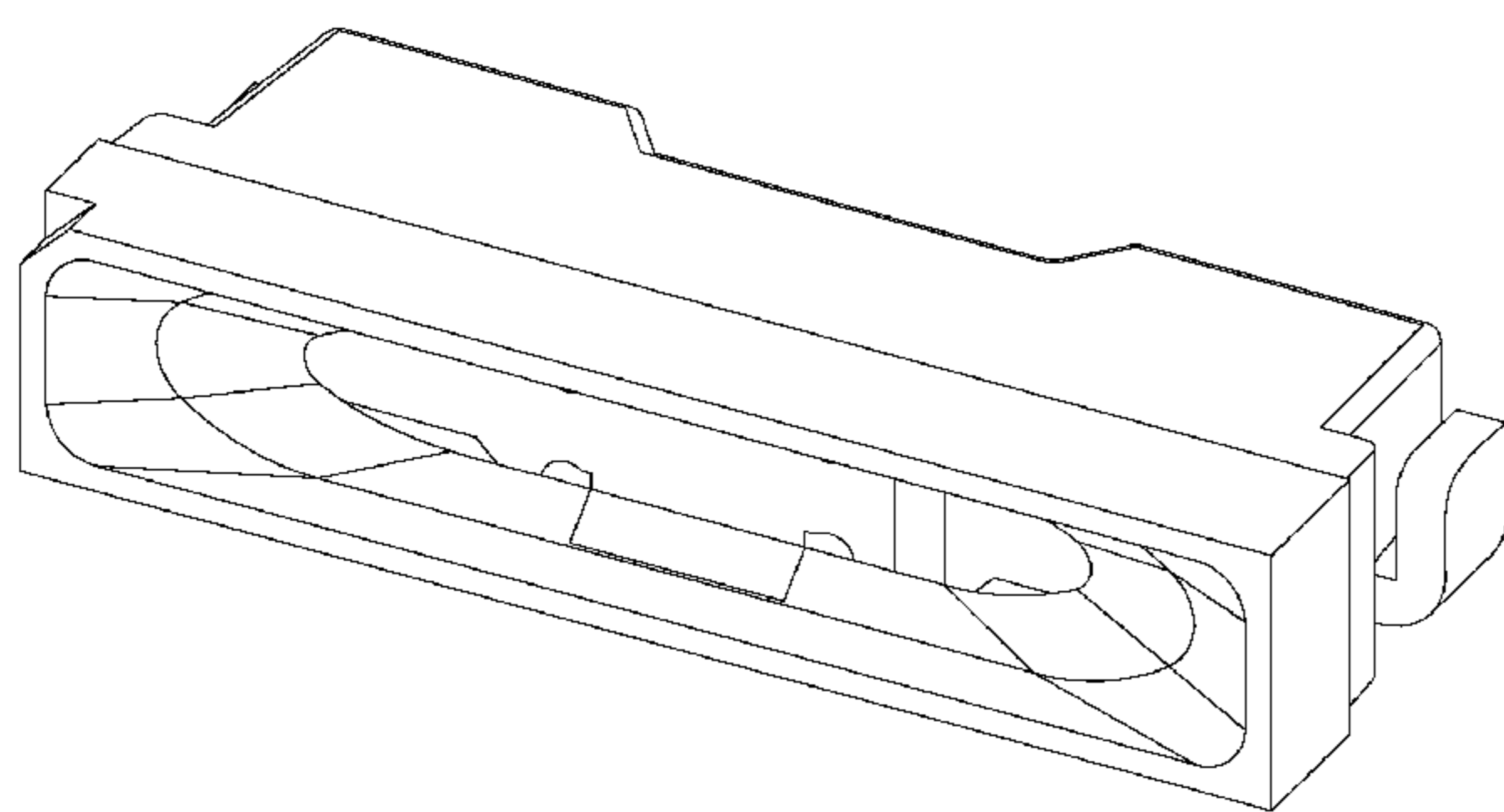
(57) **CLAIM**

The ornamental design for a lead frame, as shown and described.

**DESCRIPTION**

FIG. 1 is a three dimensional view of a lead frame showing our new design;  
FIG. 2 is a right side view thereof;  
FIG. 3 is a top view thereof;  
FIG. 4 is a front view thereof;  
FIG. 5 is a bottom view thereof;  
FIG. 6 is a left side view thereof;  
FIG. 7 is a rear view thereof; and,  
FIG. 8 is another three dimensional view of the lead frame, viewed from another aspect of FIG. 1.

**1 Claim, 8 Drawing Sheets**



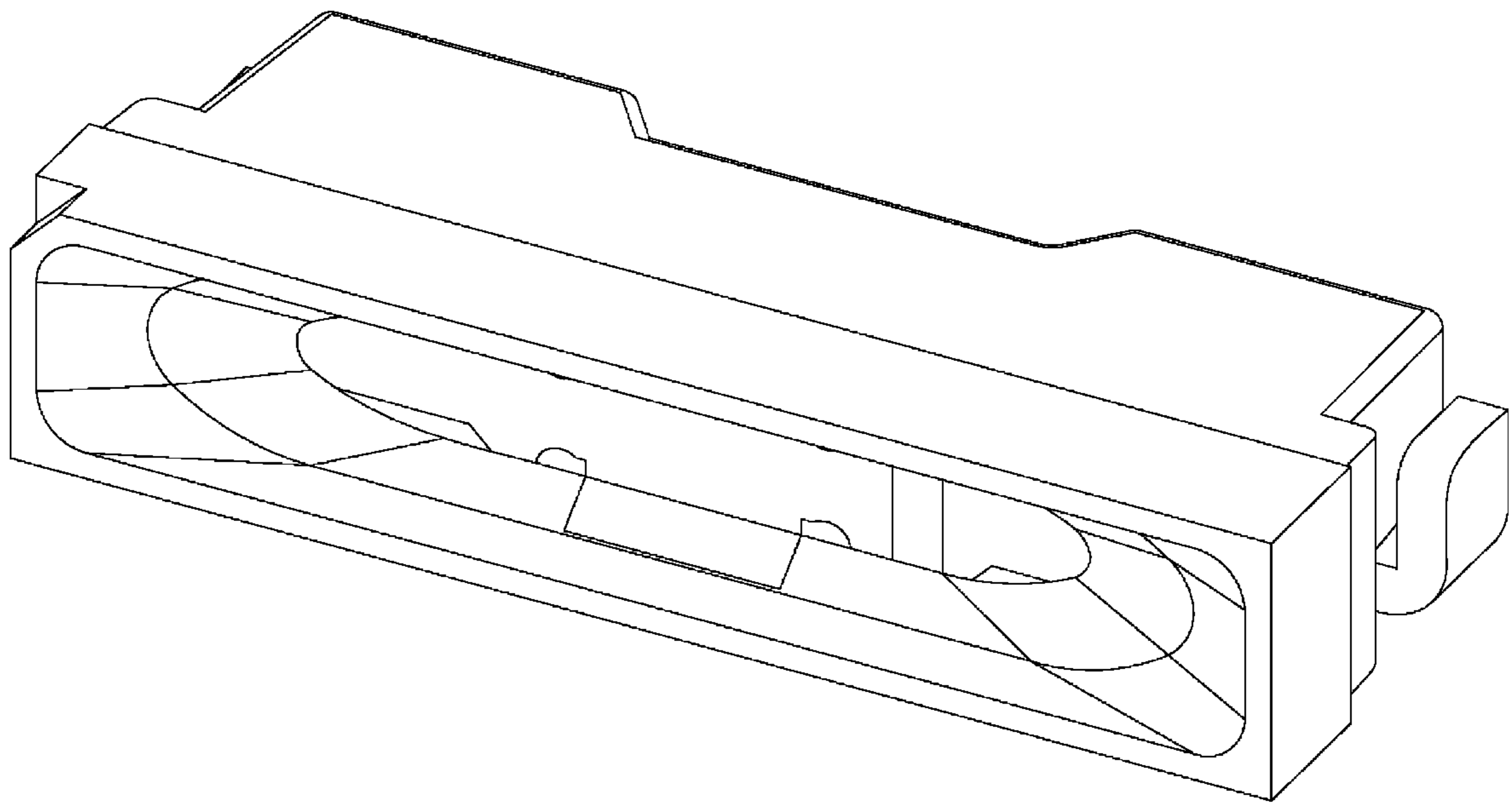


FIG. 1

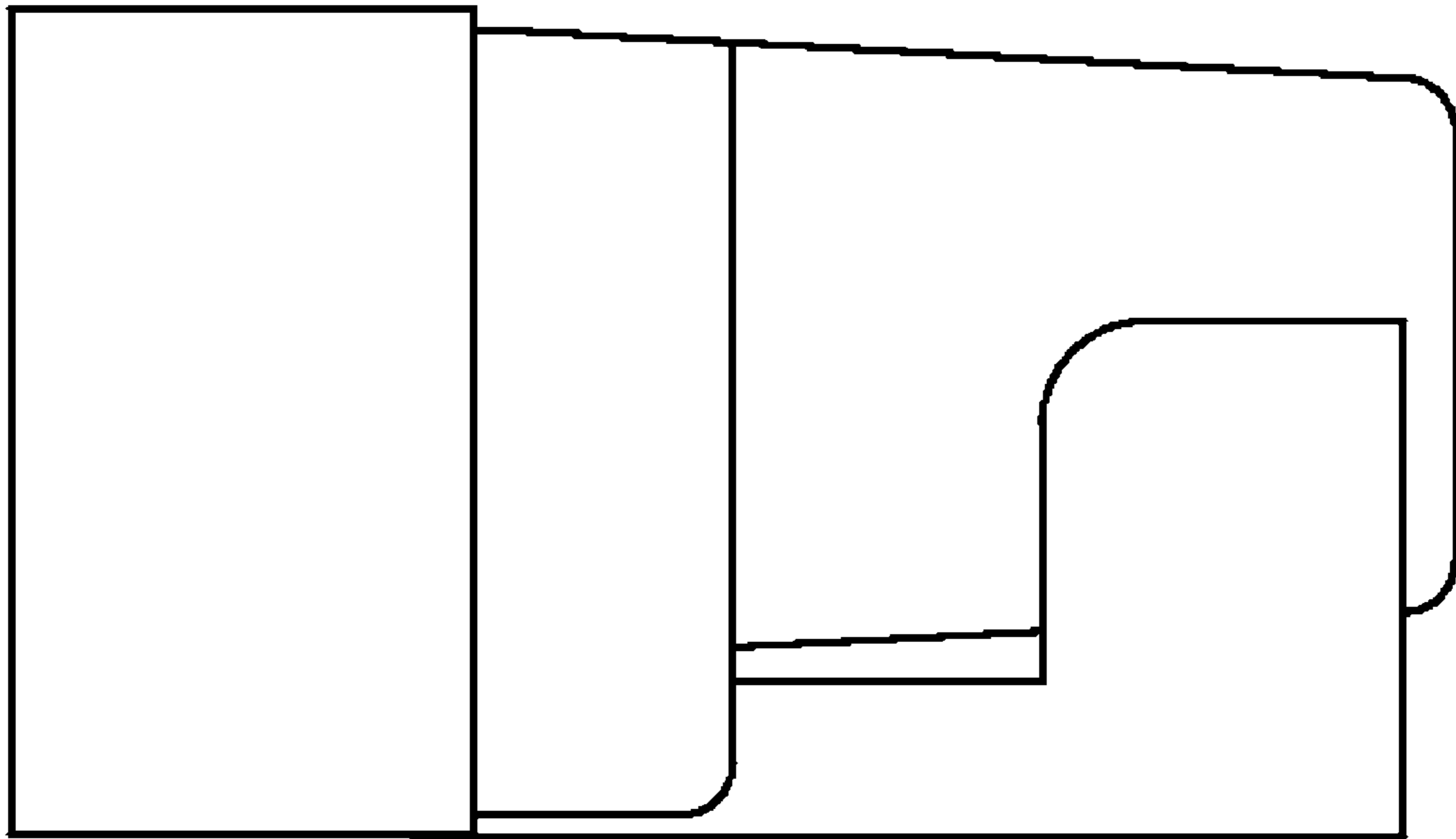


FIG. 2

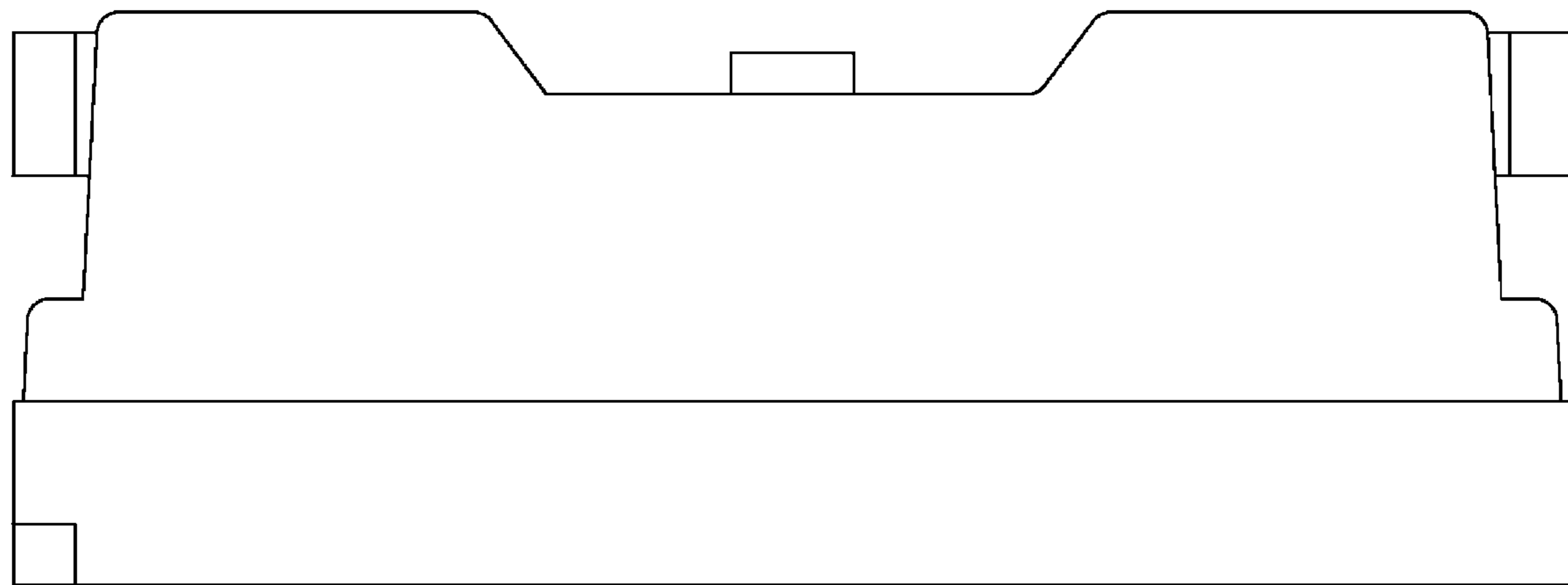


FIG. 3

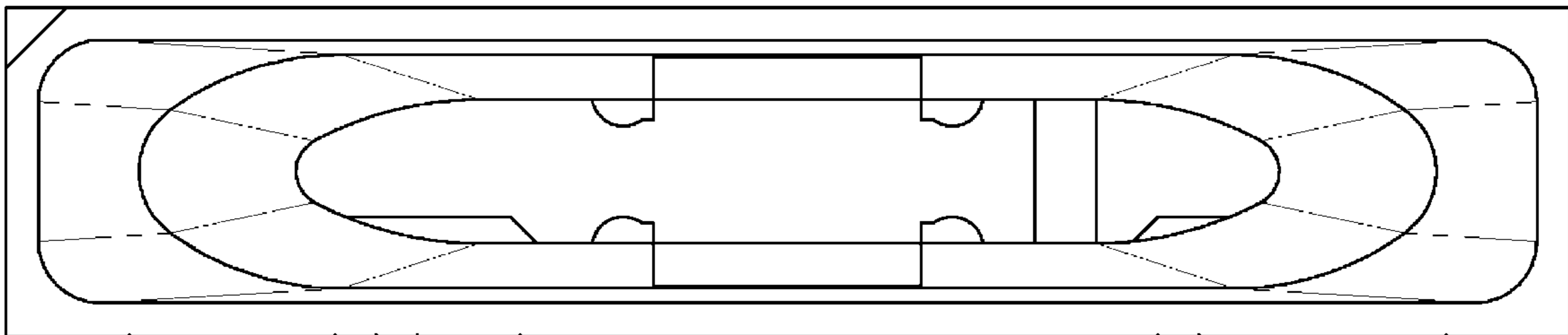


FIG. 4

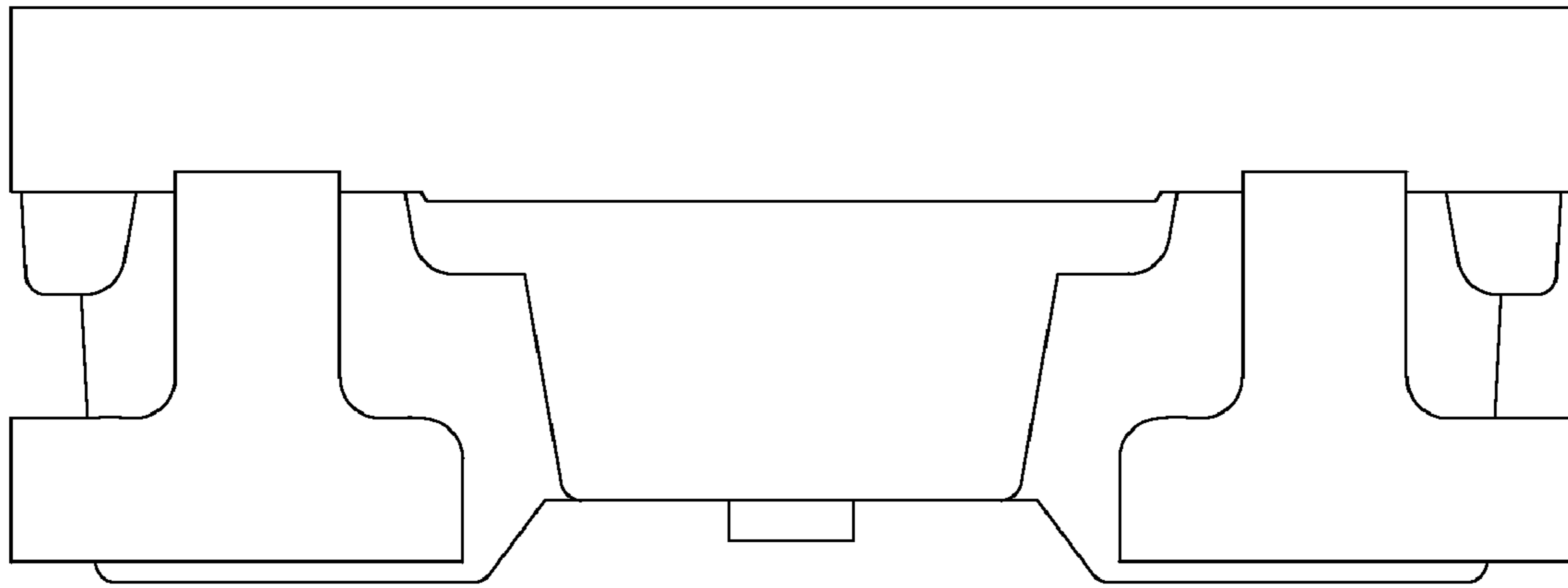


FIG. 5

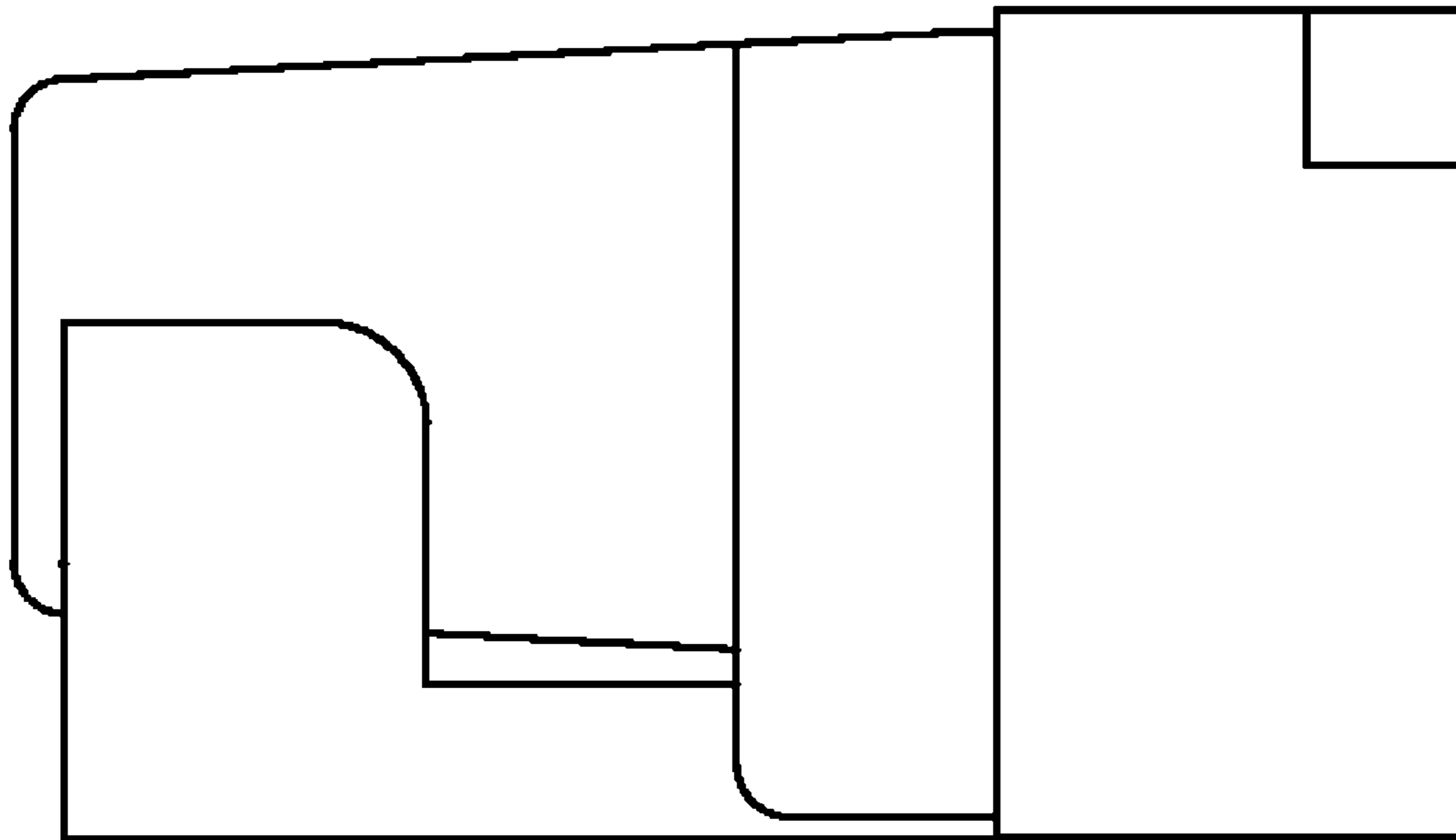


FIG. 6

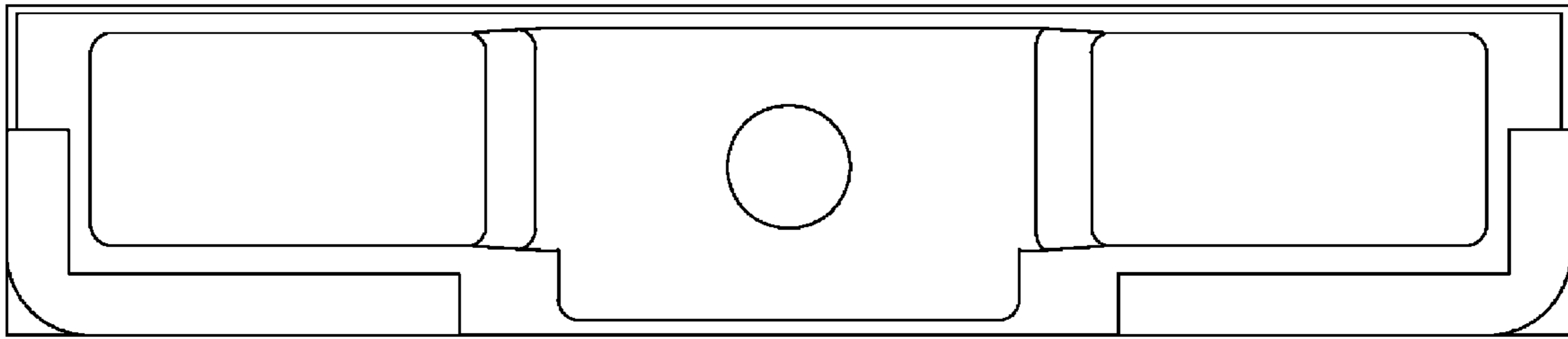


FIG. 7



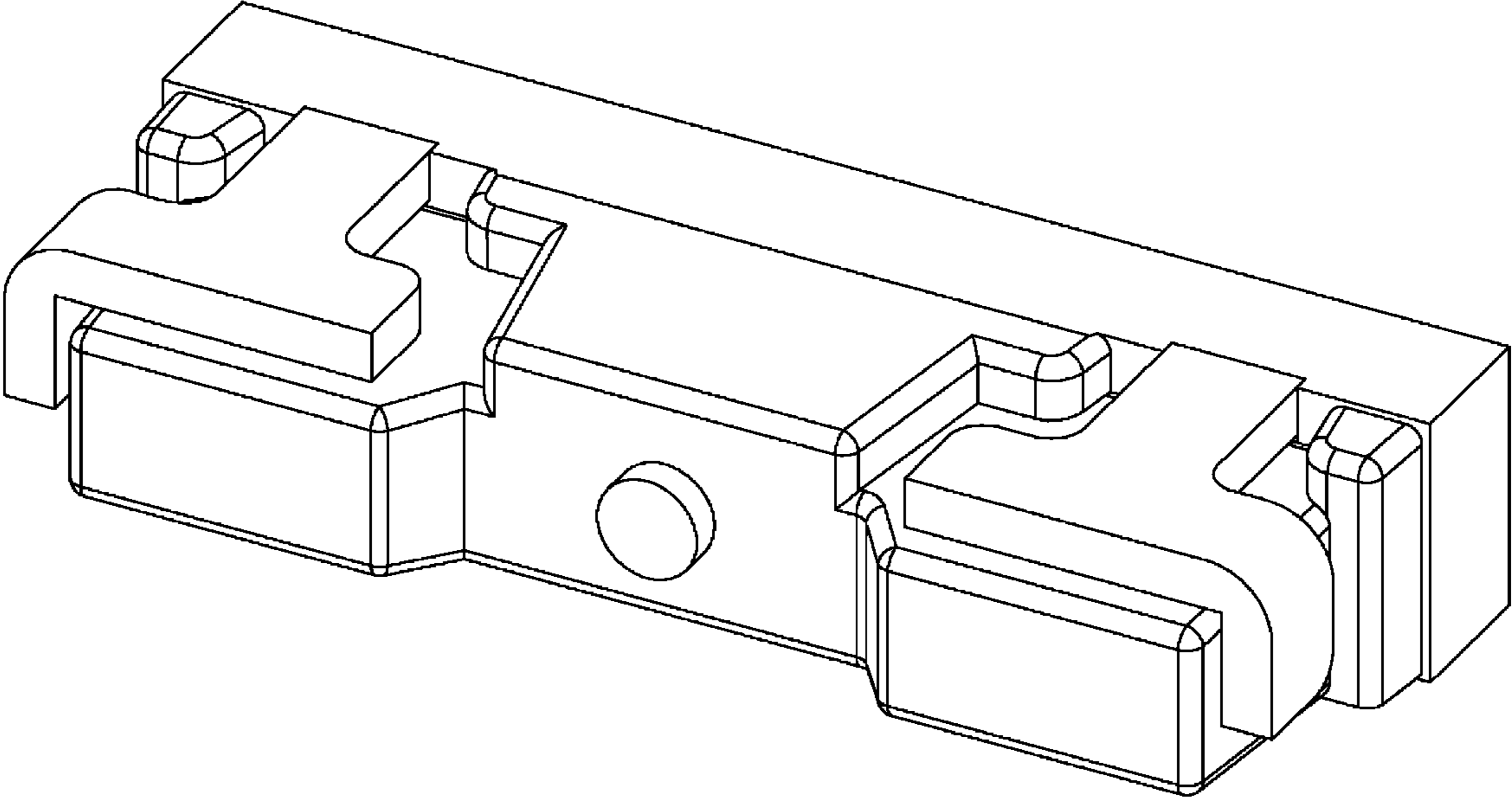


FIG. 8