



US00D637979S

(12) **United States Design Patent**  
**Chan et al.**

(10) **Patent No.:** **US D637,979 S**

(45) **Date of Patent:** **\*\* May 17, 2011**

(54) **COIL RACK**

(75) Inventors: **Chun-Kong Chan**, Taipei County (TW);  
**Chi Ching Chen**, Taipei County (TW)

(73) Assignee: **Lien Chang Electronic Enterprise Co., Ltd.**, Taipei County (TW)

(\*\*) Term: **14 Years**

(21) Appl. No.: **29/366,723**

(22) Filed: **Jul. 29, 2010**

(51) **LOC (9) Cl.** ..... **13-03**

(52) **U.S. Cl.** ..... **D13/179**

(58) **Field of Classification Search** ..... D13/179,  
D13/184; 165/80.3, 104.33, 151, 122, 185;  
257/706, 707, 718-722; 361/687, 695, 697,  
361/700, 702, 704, 709, 710, 711, 719; 336/208;  
415/213.1; 417/423.14; D23/411  
See application file for complete search history.

(56) **References Cited**

**U.S. PATENT DOCUMENTS**

5,864,465 A \* 1/1999 Liu ..... 361/697  
6,109,890 A \* 8/2000 Horng ..... 417/423.14  
D434,394 S \* 11/2000 Hsieh ..... D13/179

6,236,298 B1 \* 5/2001 Chen ..... 336/208  
D465,771 S \* 11/2002 Hsieh ..... D13/179  
D466,092 S \* 11/2002 Hsieh ..... D13/179  
D478,875 S \* 8/2003 Lee ..... D13/179  
D480,468 S \* 10/2003 Hoshina et al. .... D23/411  
D492,654 S \* 7/2004 Lei et al. .... D13/179  
7,198,464 B2 \* 4/2007 Kuo ..... 415/213.1

\* cited by examiner

*Primary Examiner* — Selina Sikder

(74) *Attorney, Agent, or Firm* — Rosenberg, Klein & Lee

(57) **CLAIM**

The ornamental design for a “coil rack,” as shown and described.

**DESCRIPTION**

FIG. 1 is a perspective view of a “coil rack” showing our new design;

FIG. 2 is a front view thereof;

FIG. 3 is a rear view thereof;

FIG. 4 is a left side view thereof;

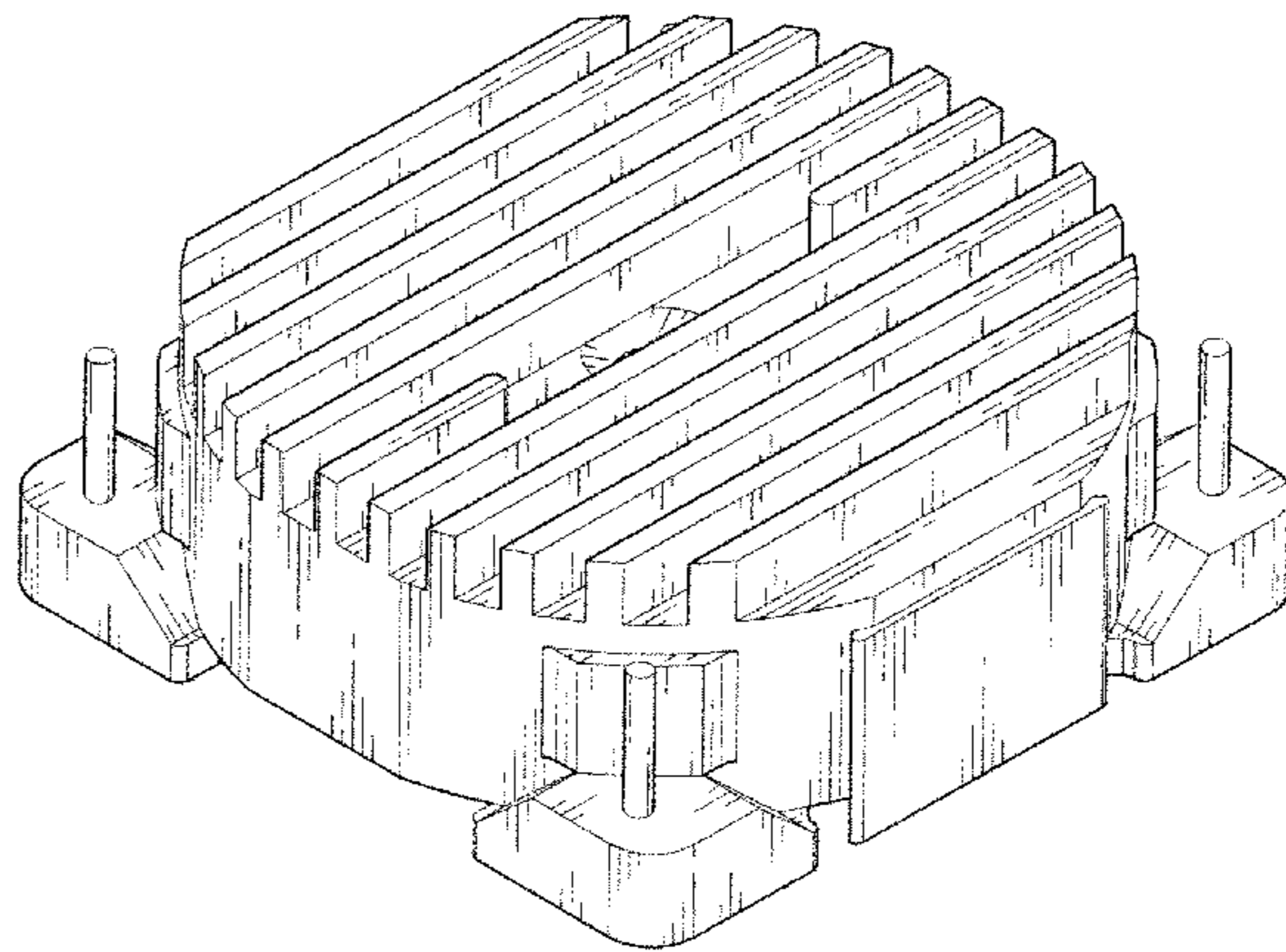
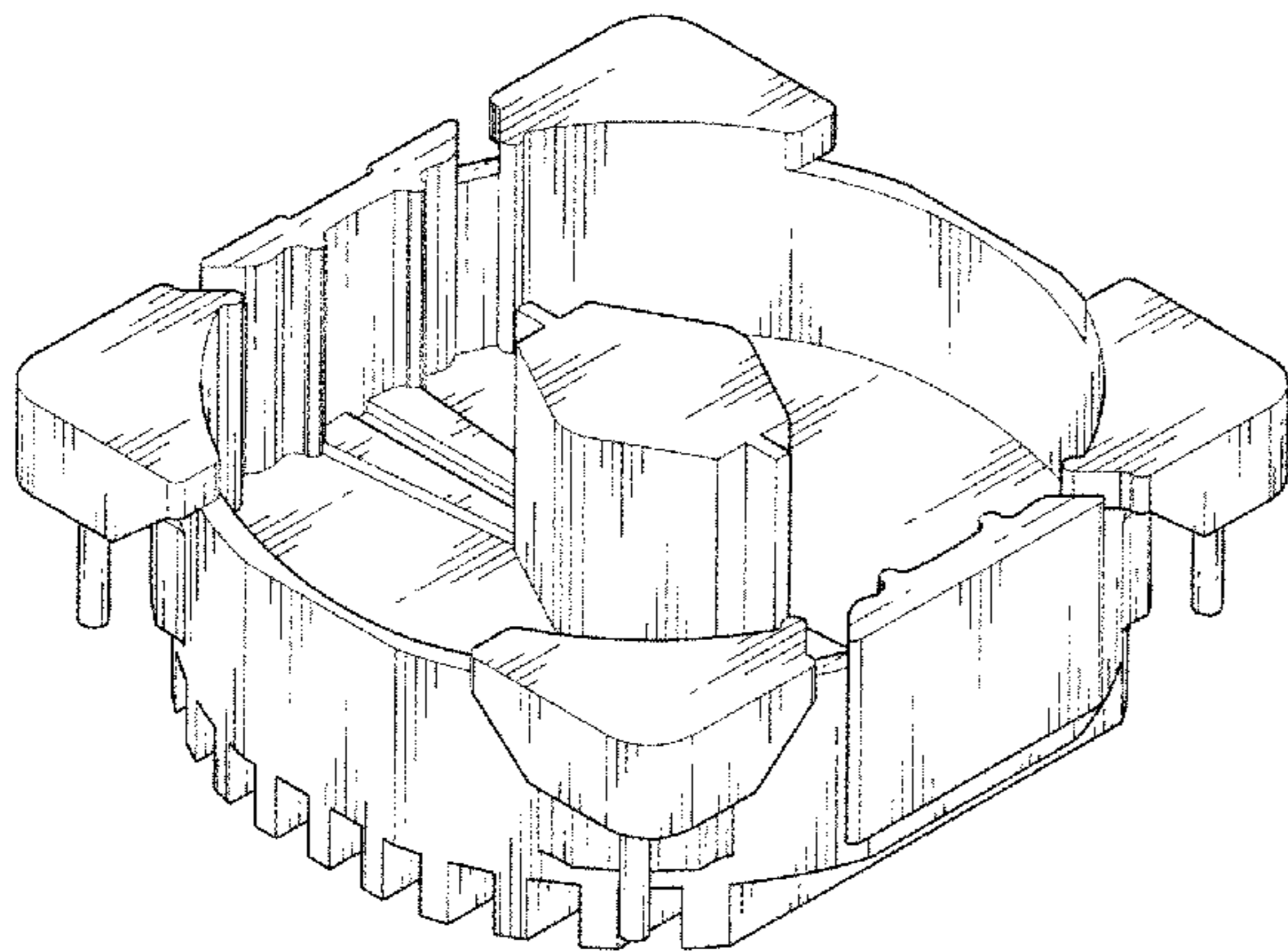
FIG. 5 is a right side view thereof;

FIG. 6 is a top view thereof;

FIG. 7 is a bottom view thereof; and,

FIG. 8 is a perspective view showing the practical usage.

**1 Claim, 5 Drawing Sheets**



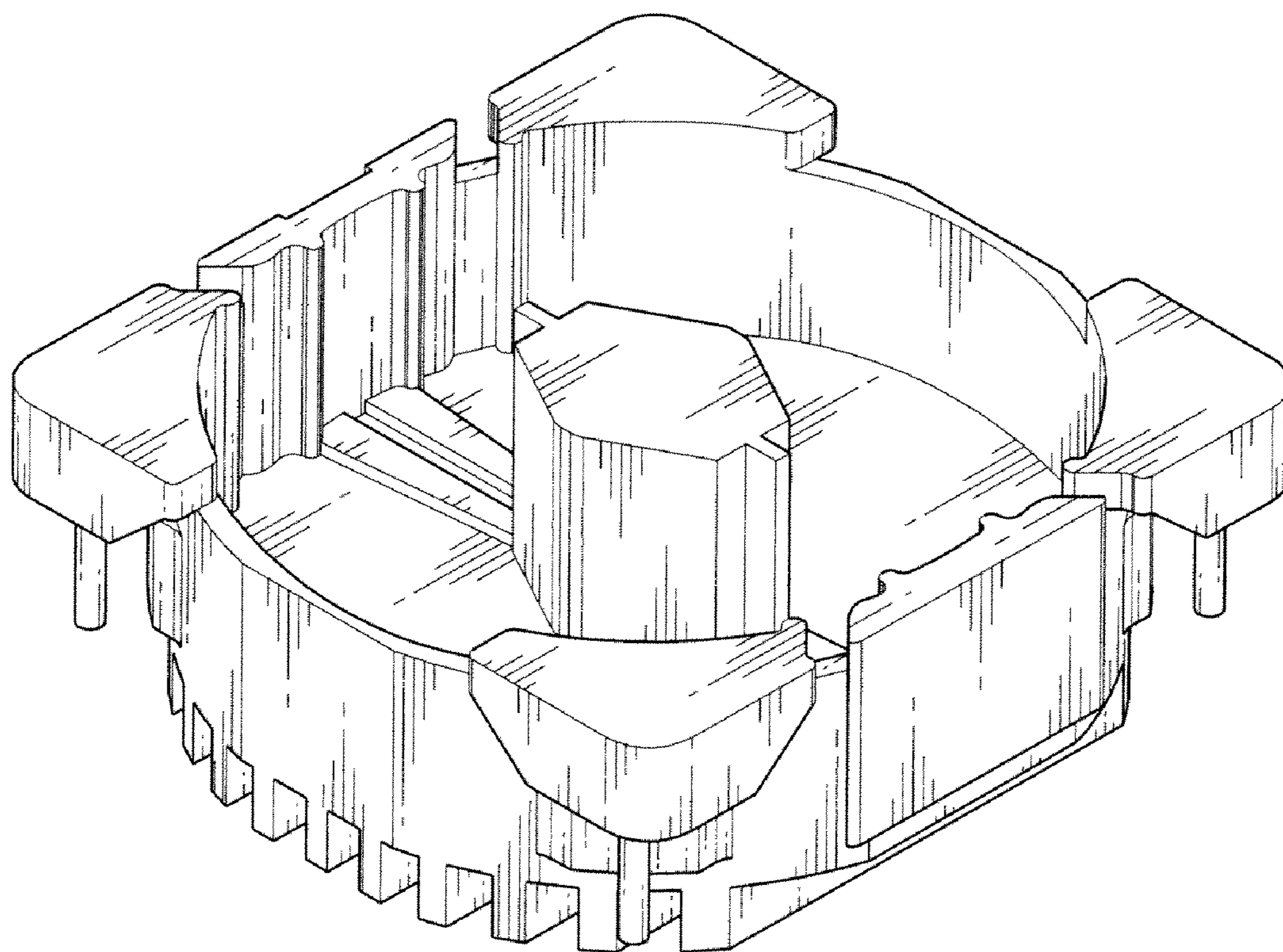


FIG. 1

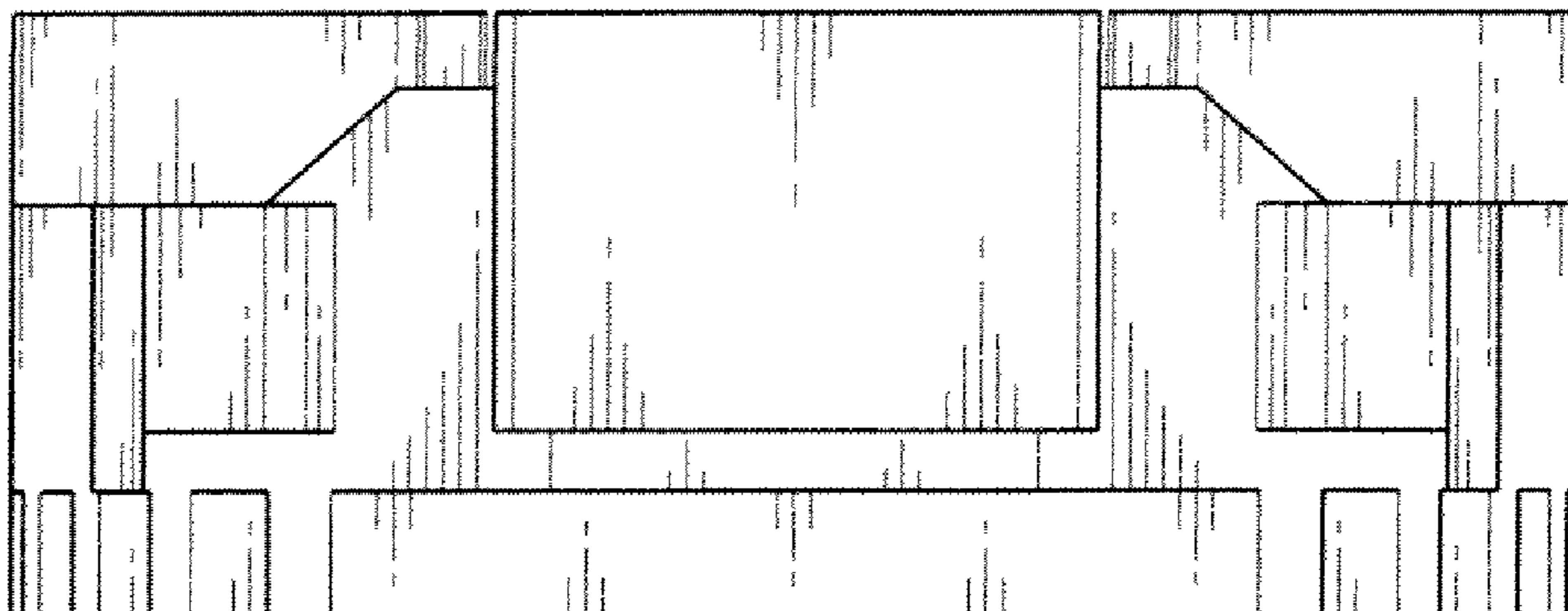


FIG. 2

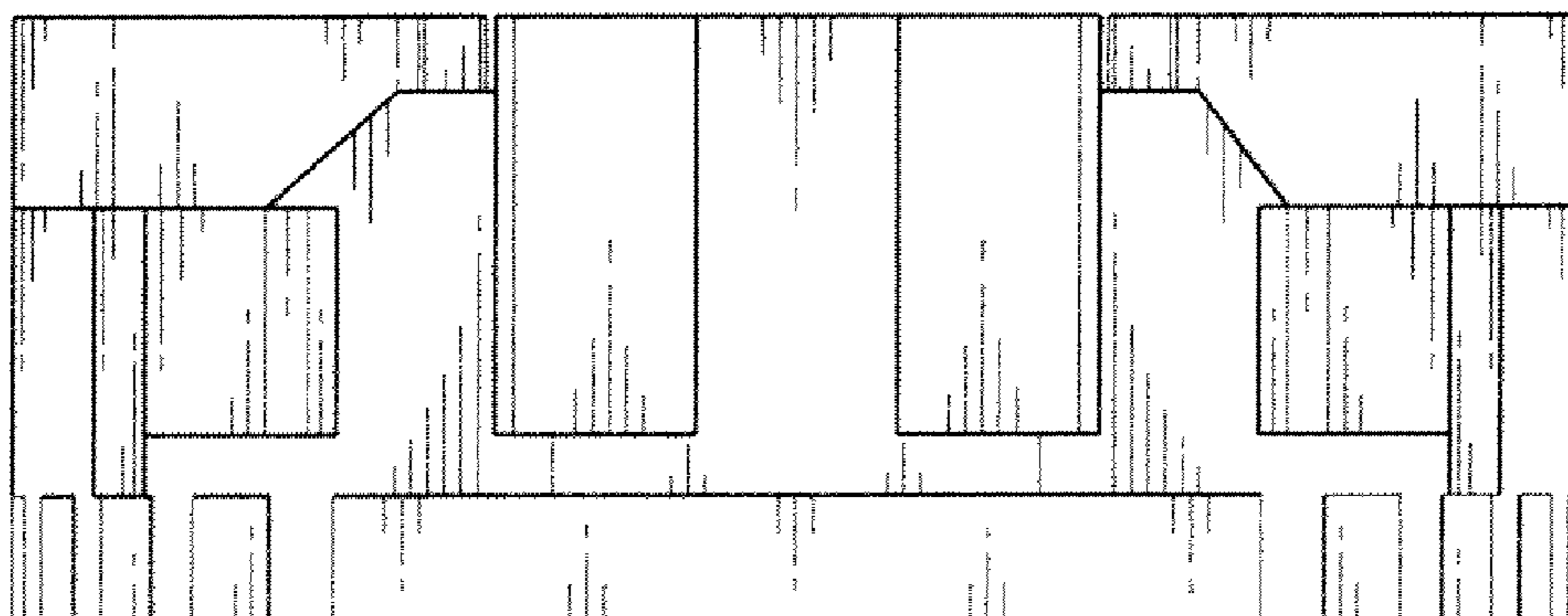


FIG. 3

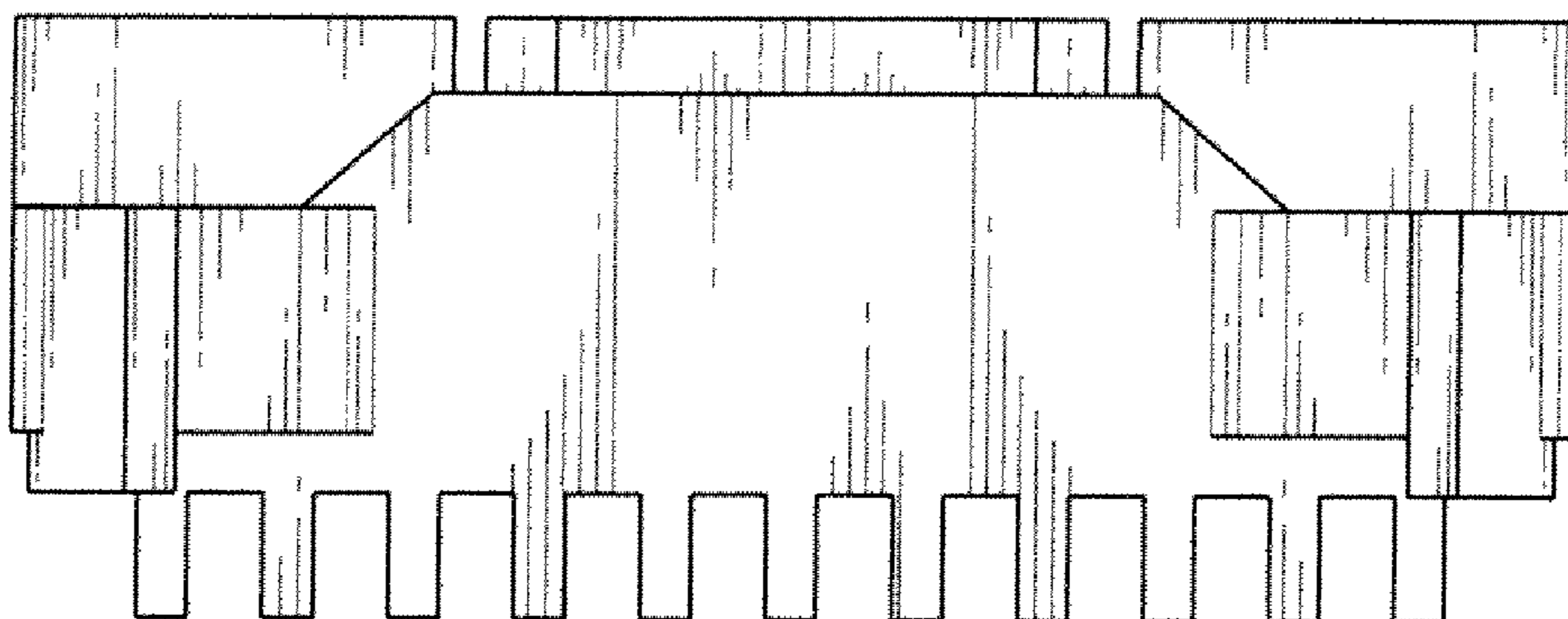


FIG. 4

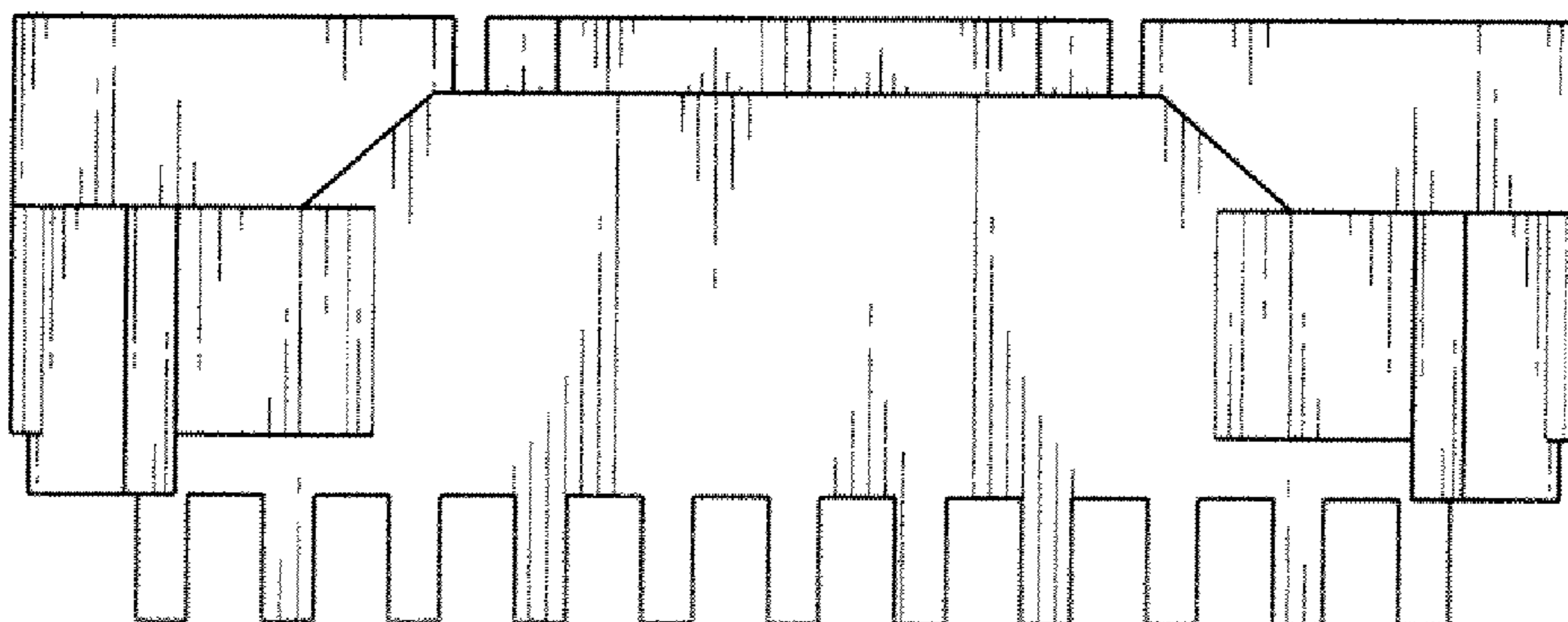


FIG. 5

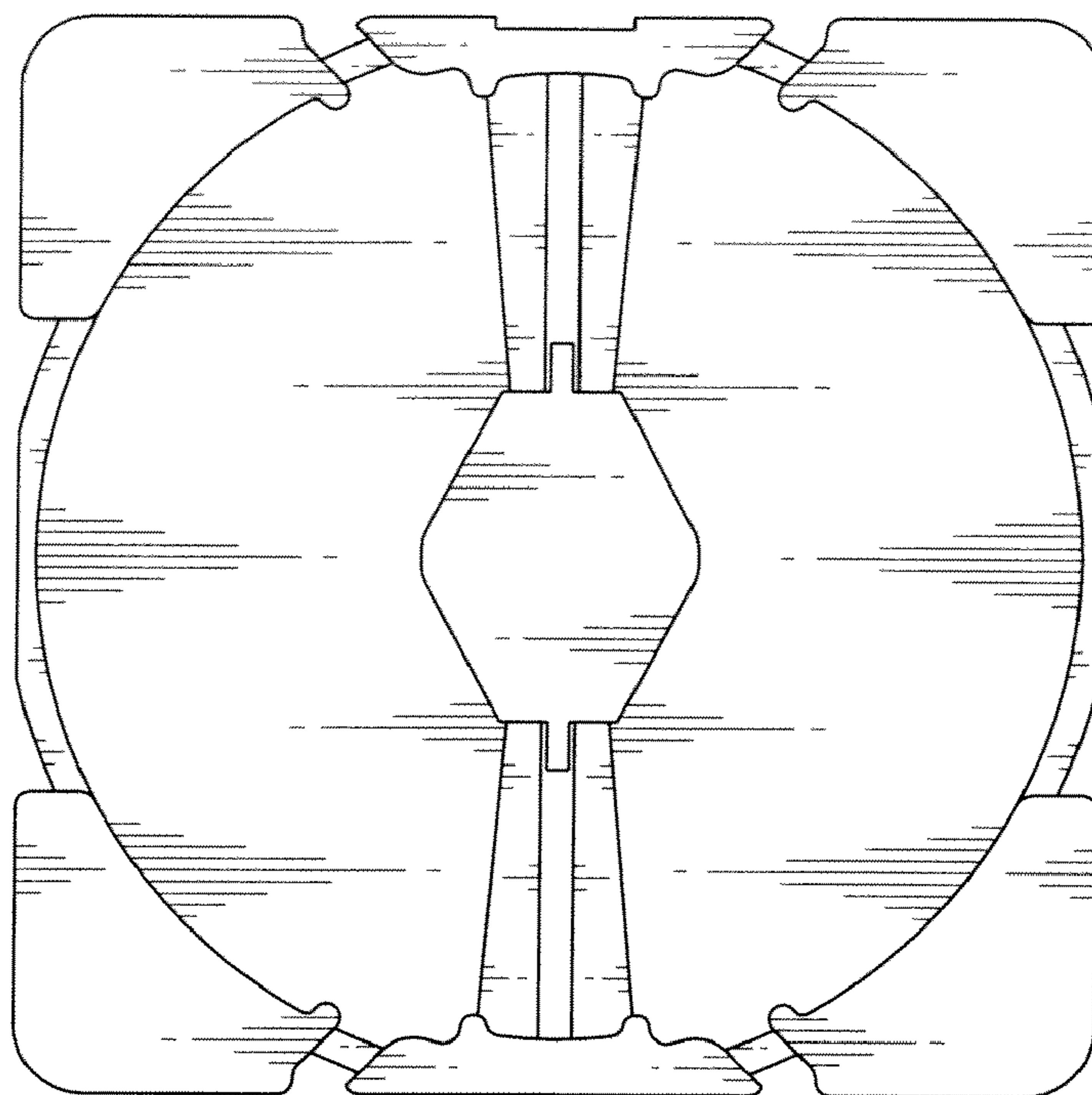


FIG. 6

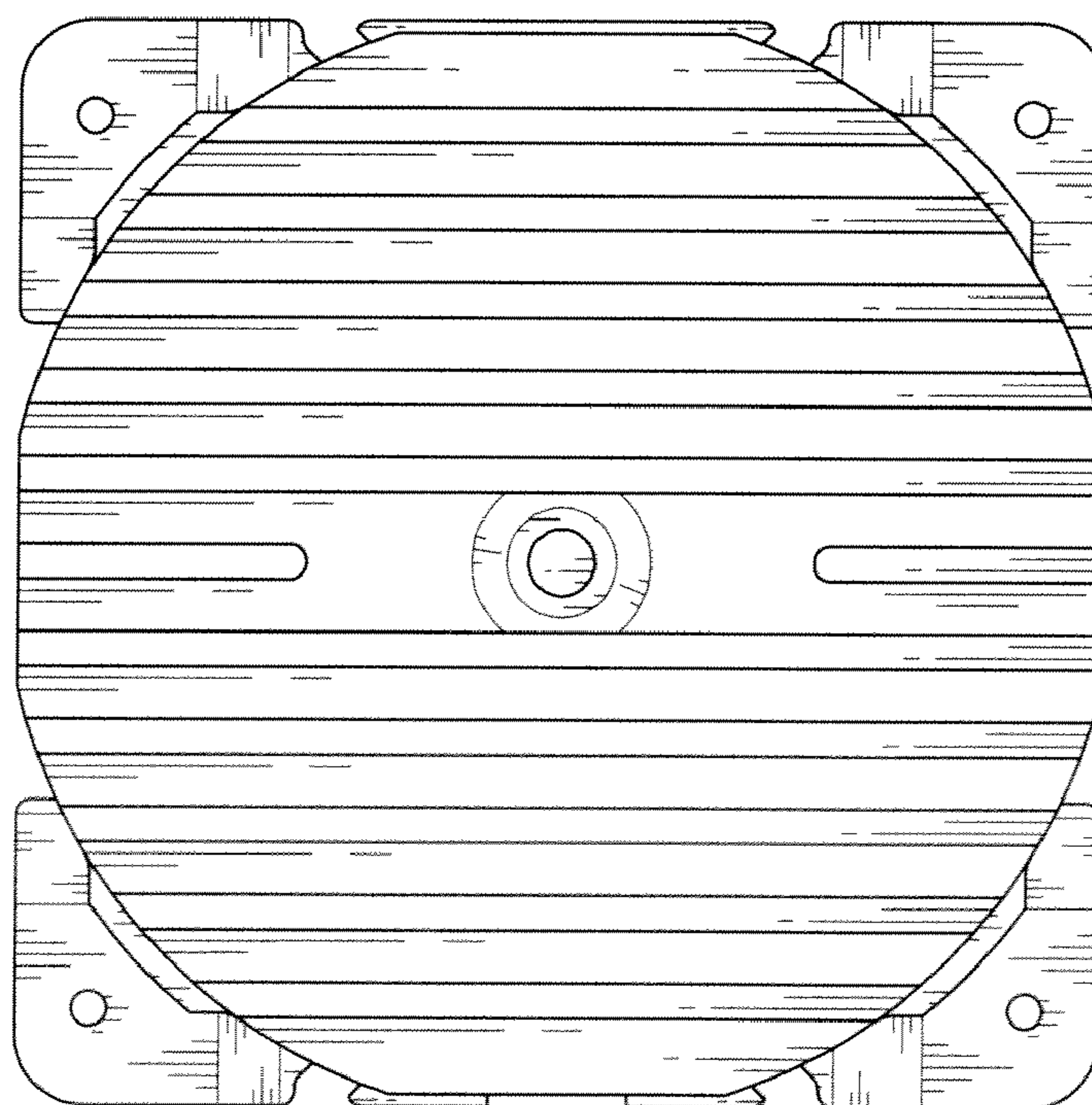


FIG. 7

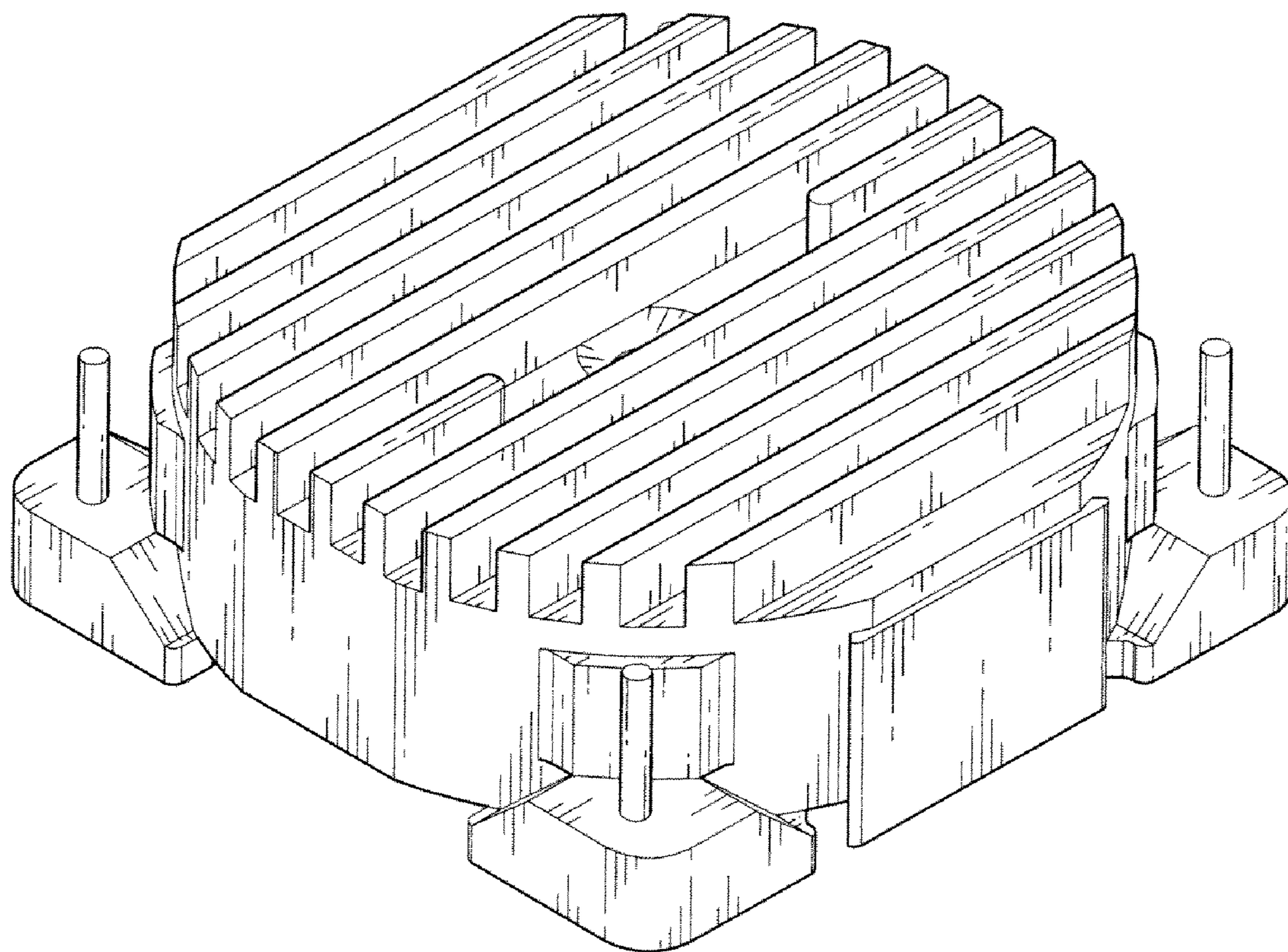


FIG. 8