



US00D637978S

(12) **United States Design Patent**  
**Liao et al.**

(10) **Patent No.:** **US D637,978 S**

(45) **Date of Patent:** **\*\* May 17, 2011**

(54) **KEYPAD**

(75) Inventors: **Li-Fen Liao**, Taichung (TW); **Shu-Chun Liao**, Taichung (TW)

(73) Assignee: **Hiwin Mikrosystem Corp.**, Taichung (TW)

(\*\*) Term: **14 Years**

(21) Appl. No.: **29/363,831**

(22) Filed: **Jun. 15, 2010**

(51) **LOC (9) Cl.** ..... **14-03**

(52) **U.S. Cl.** ..... **D13/168**

(58) **Field of Classification Search** ..... D13/162,  
D13/168; D10/50; D14/218, 203.7, 496;  
340/825.22, 825.24, 825.25, 825.31, 825.36,  
340/825.69, 825.72; 341/176; 455/352;  
345/156, 169; 348/734; 463/39; 700/17,  
700/65, 83

See application file for complete search history.

(56) **References Cited**

**U.S. PATENT DOCUMENTS**

D518,744 S \* 4/2006 Rosen ..... D10/50  
D572,205 S \* 7/2008 Landerholm et al. .... D13/168

D575,240 S \* 8/2008 Landerholm et al. .... D13/162  
D582,862 S \* 12/2008 Landerholm et al. .... D13/162  
D590,374 S \* 4/2009 Madonna et al. .... D14/218  
D600,654 S \* 9/2009 Liao ..... D13/168  
D611,500 S \* 3/2010 Byle et al. .... D14/496  
D611,914 S \* 3/2010 Chiang et al. .... D13/164  
D617,744 S \* 6/2010 Landerholm et al. .... D13/168

\* cited by examiner

*Primary Examiner* — Selina Sikder

(74) *Attorney, Agent, or Firm* — Guice Patents PLLC

(57) **CLAIM**

The ornamental design for keypad, shown and described.

**DESCRIPTION**

FIG. 1 is a perspective view showing the front, left side and top of my new design for a keypad.

FIG. 2 is a left view thereof;

FIG. 3 is a right view thereof;

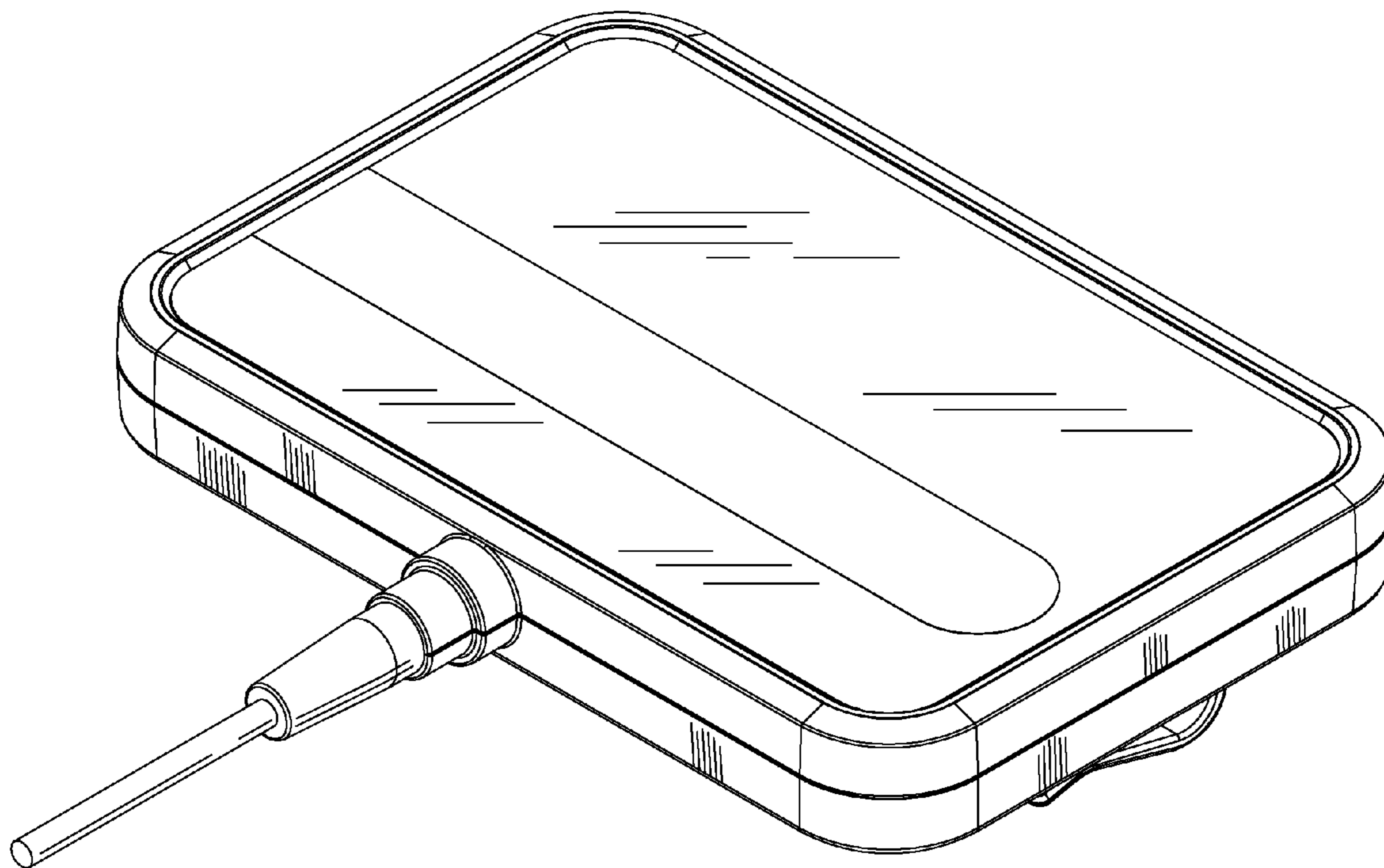
FIG. 4 is a rear view thereof;

FIG. 5 is a front view thereof;

FIG. 6 is a top view thereof; and,

FIG. 7 is a bottom view thereof.

**1 Claim, 7 Drawing Sheets**



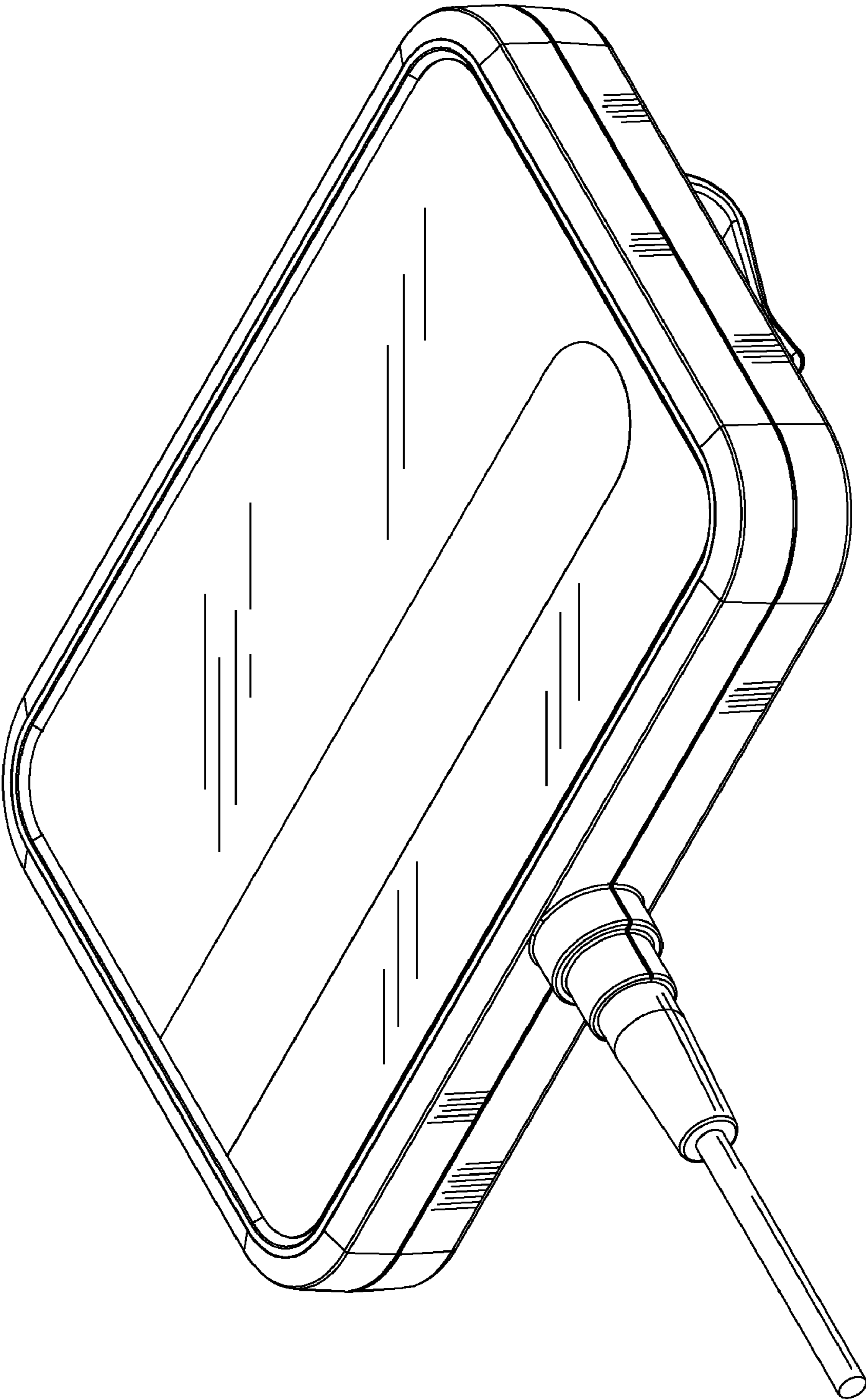


Fig. 1

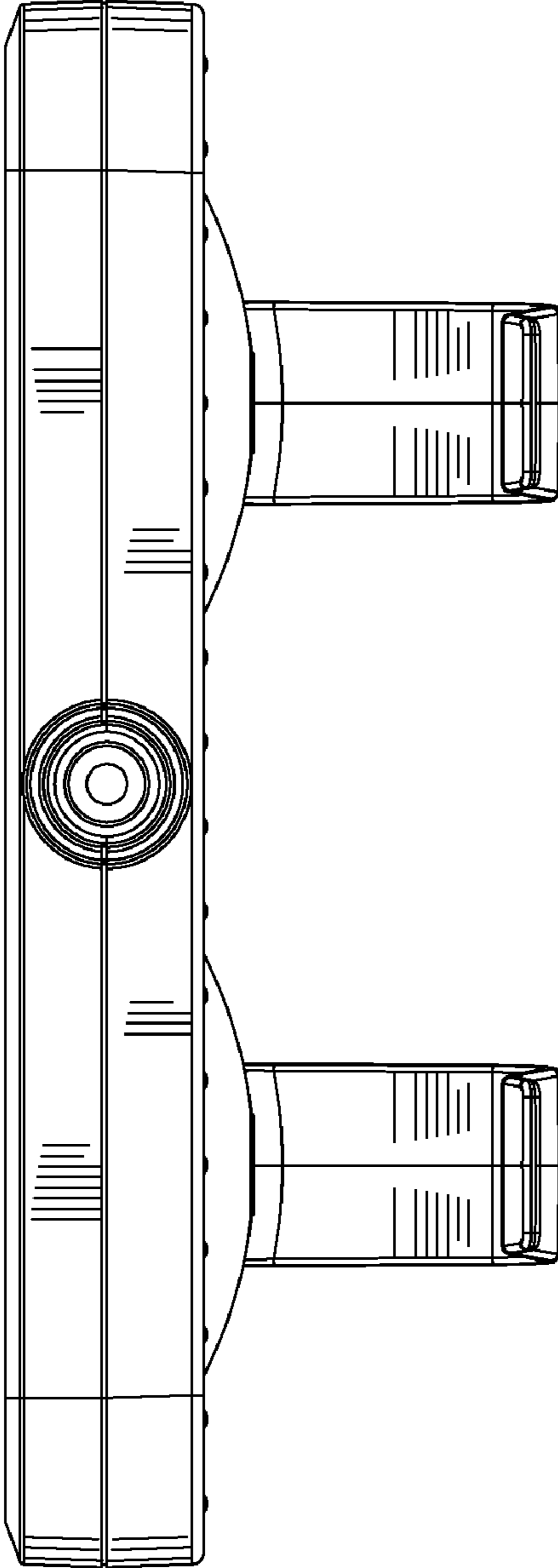


Fig. 2

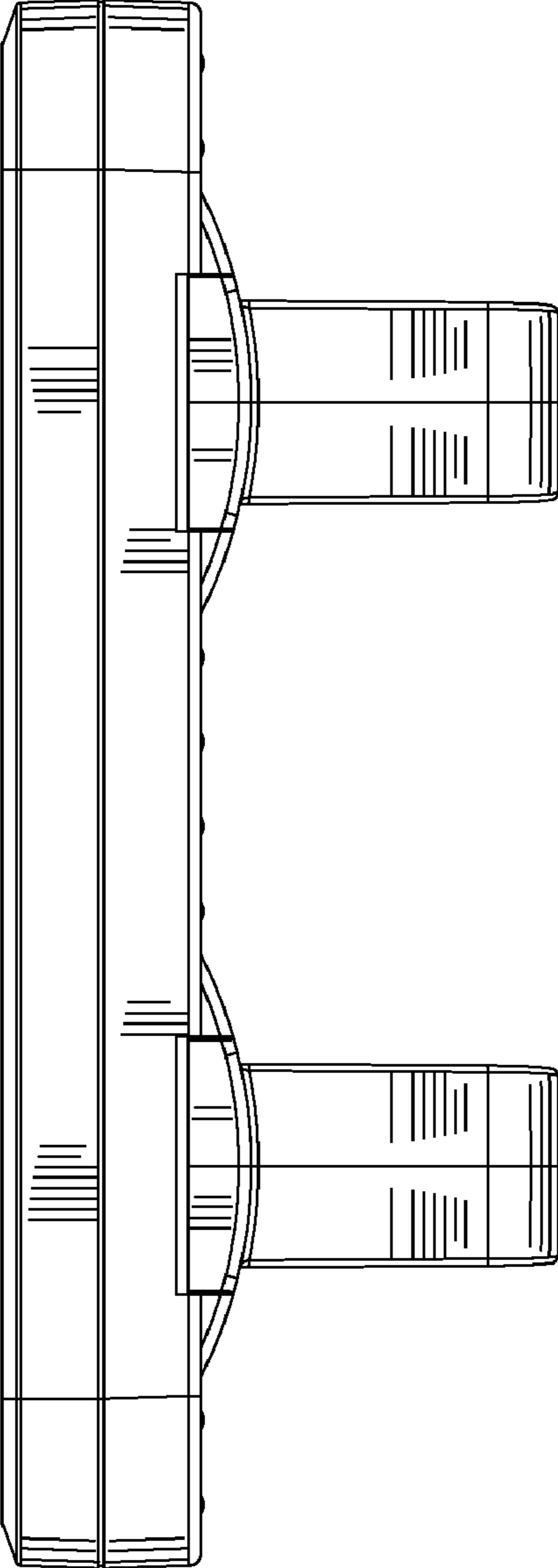


Fig. 3

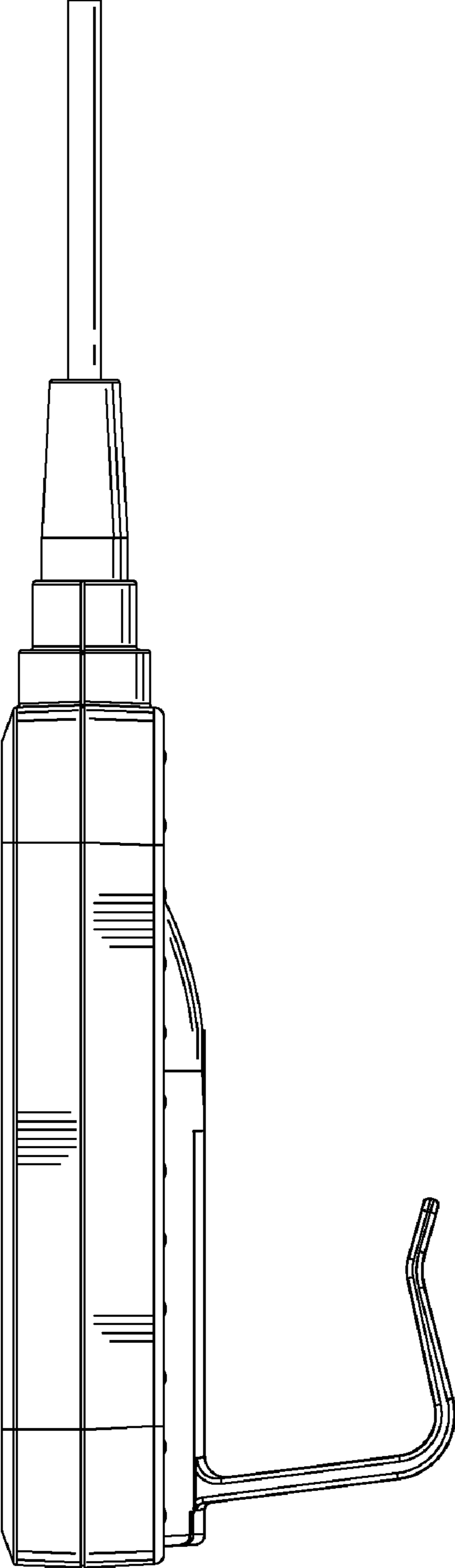


Fig. 4

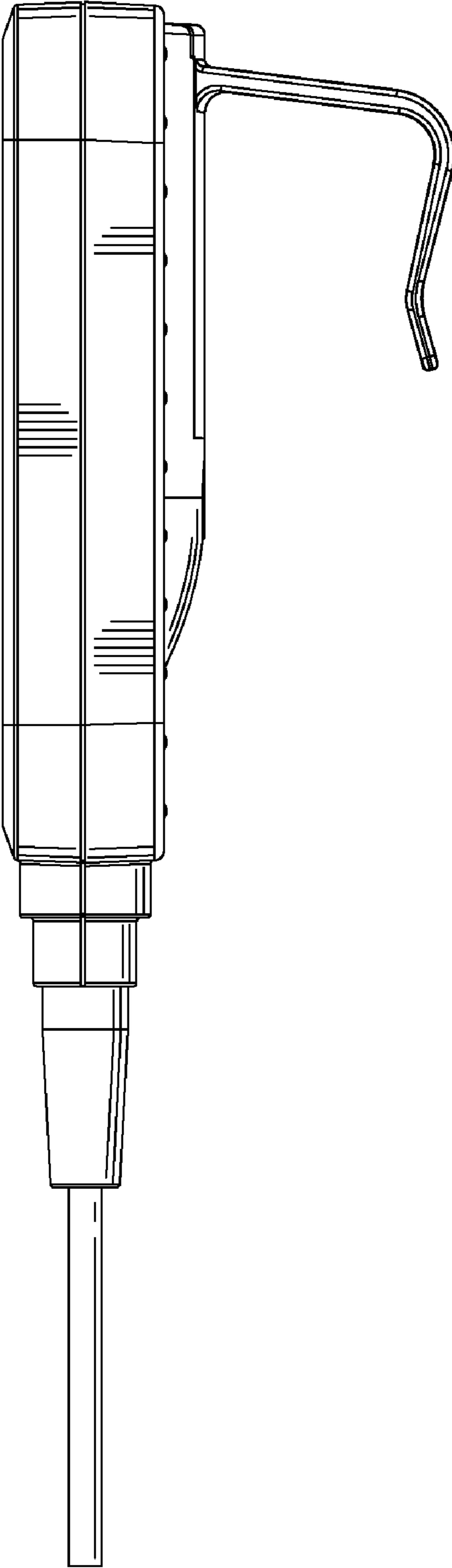


fig. 5

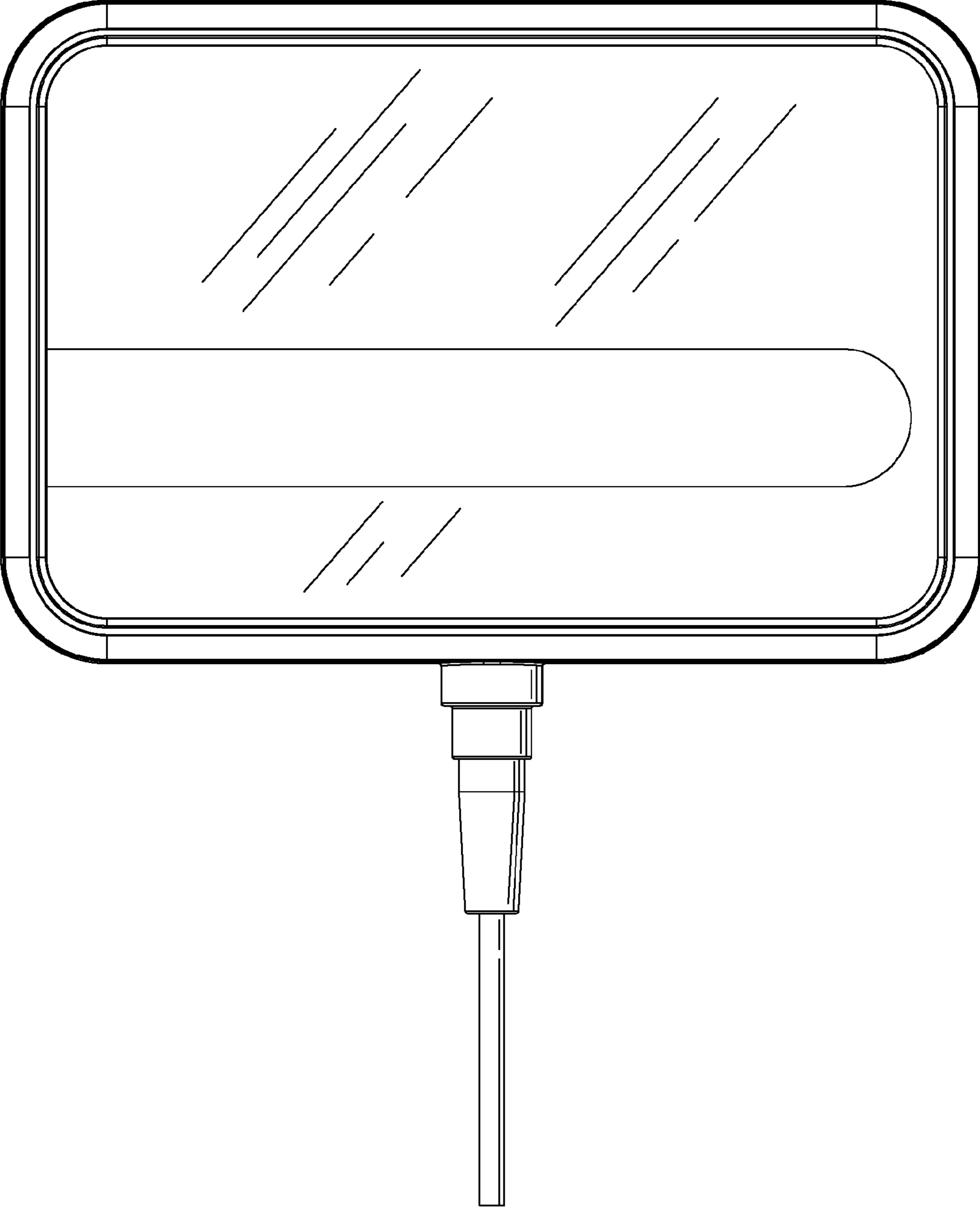


Fig. 6

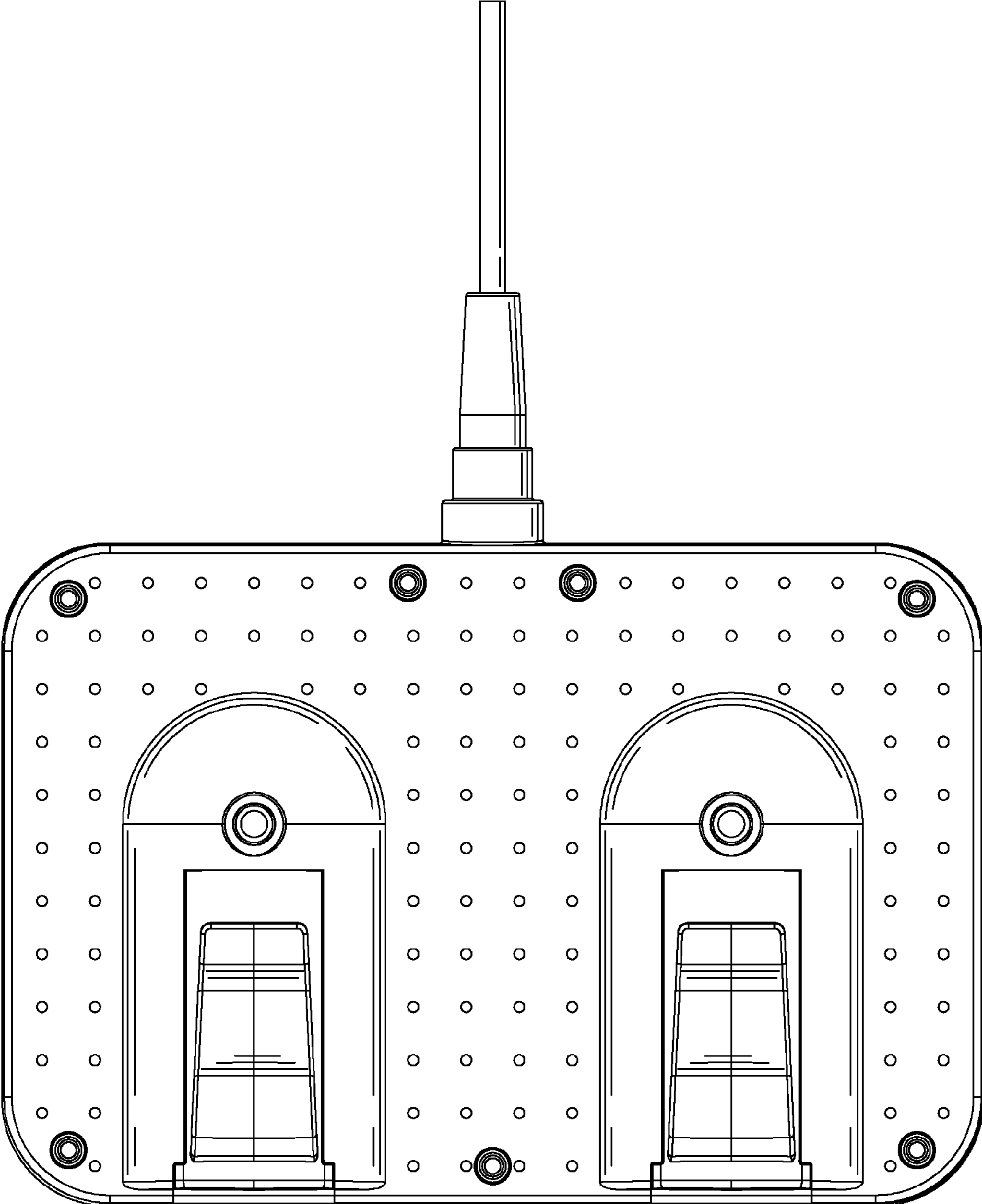


Fig. 7